



INcja066_US

820-342V80



Electric Fireplace Stove with Heater
OWNER'S MANUAL

IMPORTANT, RETAIN FOR FUTURE REFERENCE: READ CAREFULLY

ASSEMBLY INSTRUCTION

WARNING: INDOOR USE ONLY

IMPORTANT:

Please read this manual carefully before running this heater and save it for future.

NOTE: This manual contains important safety and operating instructions. Read all instructions and follow them with use of this product.

IMPORTANT INSTRUCTIONS

When using this electric unit, basic safety precautions should always be followed to reduce the risk of fire, electric shock, and injury to persons, including the following:

1. Read ALL instructions before using this unit.
2. **CAUTION:** Risk of Electric Shock. DO NOT open or try to repair the heater yourself.
3. This heater may get hot when in use. To avoid burns, DO NOT let bare skin touch hot surfaces. If provided, use handles when moving this heater. Do not place it against walls, furniture, curtains, etc.
4. Keep combustible materials, such as furniture, pillows, bedding, paper, clothes, and curtains at least 3 ft from the front of the heater and keep them away from the sides, top, and rear. DO NOT place towels or other objects on the heater.
5. Extreme caution is necessary when any heater is used by or near children or the disabled, or when the heater is left operating and unattended.
6. DO NOT operate any heater with a damaged cord or after the heater malfunctions, has been dropped or damaged in any manner. Return heater to authorized service facility for examination, electrical or mechanical adjustment, or repair.
7. This heater is not intended for use in bathrooms, laundry areas and similar indoor locations. NEVER locate heater where it may fall into a bathtub or other water container. To protect against electrical hazards, DO NOT immerse in water or other liquids.
8. DO NOT touch the control panel or plug with a wet hand.
9. DO NOT run cord under carpeting. DO NOT cover cord with throw rugs, runners, or similar coverings. Arrange cord away from traffic area and where it will not be tripped over.
10. DO NOT insert or allow foreign objects to enter any ventilation or exhaust opening as this may cause an electric shock or fire, or damage the heater.
11. To prevent a possible fire, DO NOT block the air intakes or exhaust in any manner. DO NOT use on soft surfaces, like a bed, where openings may become blocked.
12. A heater has hot and arcing or sparking parts inside. DO NOT use in areas where gasoline, paint, explosive and/or flammable liquids are used or stored. Keep unit away from heated surfaces and open flames.
13. Always plug heaters directly into a wall outlet receptacle. Never use with an extension cord or relocatable power tap (outlet/power strip).
14. To avoid fire or shock hazard, plug the unit directly into a 120 V AC electrical outlet.
15. To disconnect heater, turn controls to OFF, then remove plug from outlet. Pull firmly on the plug, DO NOT unplug by pulling on the cord.
16. Always unplug the unit before moving or cleaning, or whenever the heater is not in use.
17. Use only for intended household use as described in this manual. Any other use not recommended by the manufacturer may cause fire, electric shock, or injury to persons. The use of attachments not recommended or sold by unauthorized dealers may cause hazards.
18. Always use on a dry, level surface. Use on floor only.

19. DO NOT use outdoors.
20. **WARNING:** To reduce the risk of fire or electric shock, DO NOT use this unit with any solid-state speed control device.
21. DO NOT attempt to repair or adjust any electrical or mechanical functions on this unit. Doing so will void your warranty. The inside of the unit contains no user serviceable parts. Qualified personnel should perform all servicing only.
22. Always use the product in an upright position.

SAVE THESE INSTRUCTIONS

SAFETY FEATURES

Overheat Safety Feature

This heater is equipped with a overheat safety feature. When the heaters internal components reach a certain temperature that could cause overheat and possible fire, the heater will automatically shut off.

WARNING: It is normal for the power cord to feel warm to the touch; however, a loose fit between the outlet and the plug may cause overheating of the plug. If this occurs, try inserting the plug into a different outlet. Contact a qualified electrician to inspect the original outlet for damage.

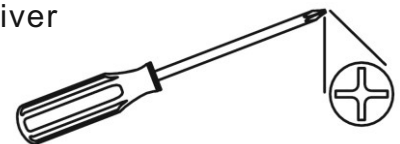
IN THE BOX

- *ELECTRIC STOVE
- *LEG (4pcs)
- *SCREW
- *INSTRUCTION BOOKLET

PREPARATION

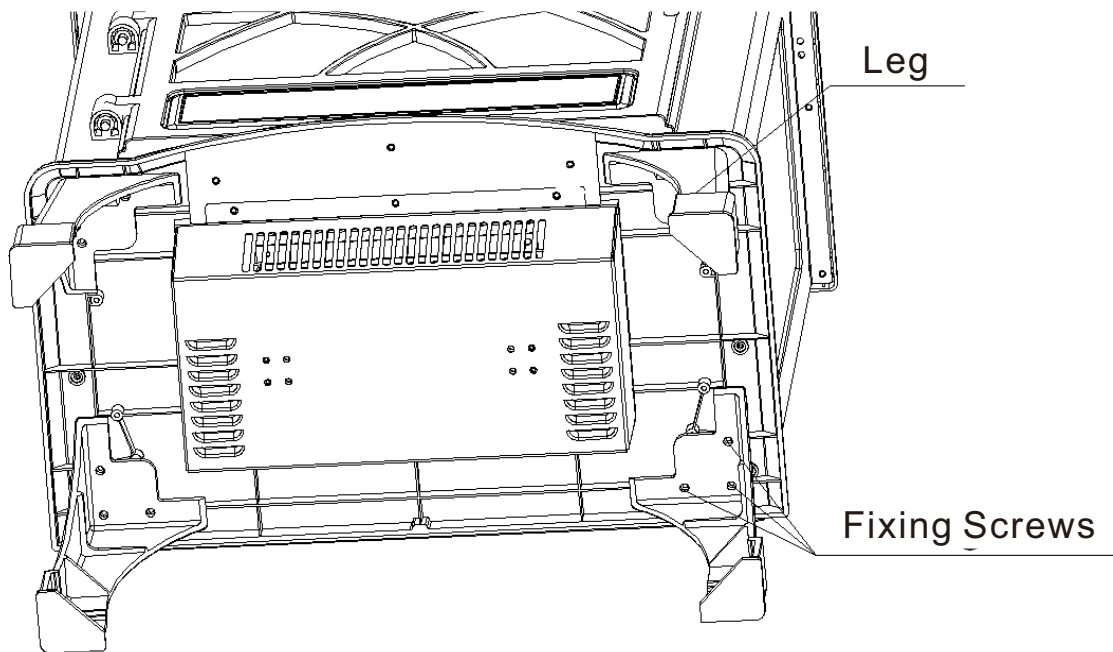
Before beginning assembly of product, make sure all parts are present. Compare parts with package contents list and hardware contents above. If any part is missing or damaged, do not attempt to assemble the product. Contact customer service for replacement parts.

Tools Required for Assembly (not included): Phillips screwdriver

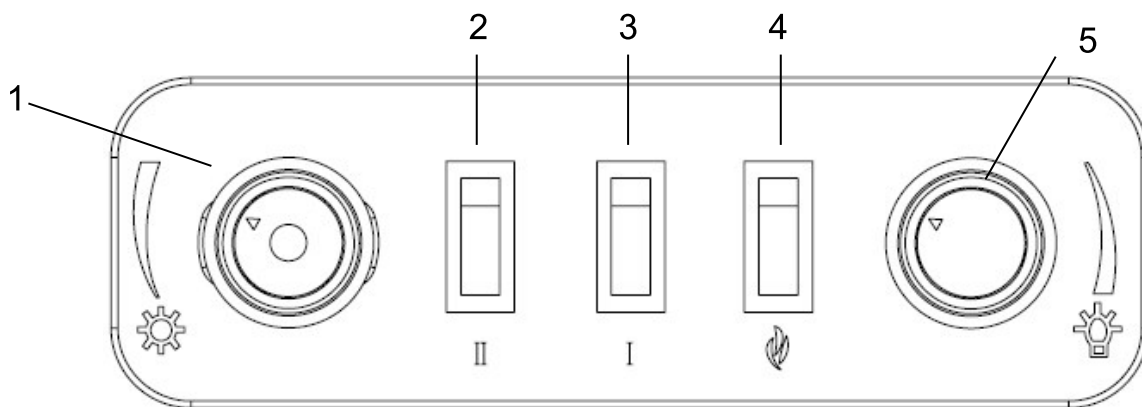


ASSEMBLY INSTRUCTIONS

Lay stove upside down on a padded surface with the underside accessible. Attach leg to stove by inserting the tab on the top of the leg into the corresponding slot on the bottom of the stove. Insert screws into predrilled holes and tighten securely. Repeat with remaining three legs.



Location of Controls



1. Thermostat control knob - Adjust to maintain room temperature
2. Heat Switch - Two switches for high heat setting
3. Heat switch – One switch for low heat setting
4. Flame switch - Both the power switch and the flame switch
5. Flame dimmer control - Adjust to set flame intensity

AUTOMATIC CUT-OFF

A cut-off switch is fitted to the heating element to prevent damage due to overheating. If it cuts-off due to an obstruction in the airflow, the heater must be allowed to cool for 5 minutes and the obstruction must be removed before restarting.

OPERATING YOUR HEATER

Once the stove has been properly assembled and connected to a grounded electrical outlet, it is ready to operate:

Open control the door, by the knob of front of stove.

1. Thermostat control knob:

To adjust the temperature to your individual requirements, turn the thermostat dial (#1) to the right (clockwise) to increase the desired temperature, or to the left (counter-clockwise)

to decrease desired temperature. This thermostat control dial can one or both of the (# 2 & 3) switches are in the “on” position. When the heater reaches the desired temperature, the heater and one or both of the indicator lights will turn off.

2. II Heat Switch

For high heat function - Press II switch while the Flame effect switch (#4) and switch (#3) are in the “on” position for high heat. The indicator light will turn on.

3. I Heat Switch

For low heat function - Press I switch while the Flame effect switch (# 4) is in the “on” position for high heat. The indicator light will turn on.

4. Flame Effect:

Press Flame effect switch (#4) to the “on” position for flame effect. The indicator light will turn on. This function can be used without heat.

5. Flame Dimmer Control:

Turn the dimmer dial (#5) clockwise or counter-clockwise to get the desired flame intensity. The dimmer switch can only be used when the **Flame effect** switch is in the “on” position.

NOTE:

Heat functions will NOT operate unless the Flame effect switch (#4) is in the “on” position.

MAINTENANCE

1. Glass Information

- * Under no circumstances should this product be operated with missing or broken glass.
- * Do not strike or slam the glass.
- * Do not use abrasive cleaners to clean the glass.
- * Replacement glass is available from the manufacturer and replacement should be carried out by a qualified service person.

2. Cleaning

- * To clean the unit, first turn off controls on unit and unplug unit from power source.
- * To clean the glass door: remove dust with clean dry cloth or to remove finger prints and other marks clean glass with clean damp cloth. Do not use abrasive cleaners or spray liquids on glass door surfaces.
- * Metal and metal painted parts should be cleaned with clean damp cloth only. Do not use abrasive cleaners or spray liquids on this surface.

TROUBLE SHOOTING

If the heater will not operate, please check the following before seeking repair of service:

1. Check if the power cord is plugged into an electrical outlet, if not, plug in.
2. Check if electricity to the outlet is working.

Note: The heater may not be operating if the thermostat is set lower than the room temperature. To begin operation, increase the thermostat temperature for a higher heat setting.

STORAGE

Store the heater in a cool, dry location when not in use. To prevent dust and dirt build-up, use the original packaging to repack the unit.

