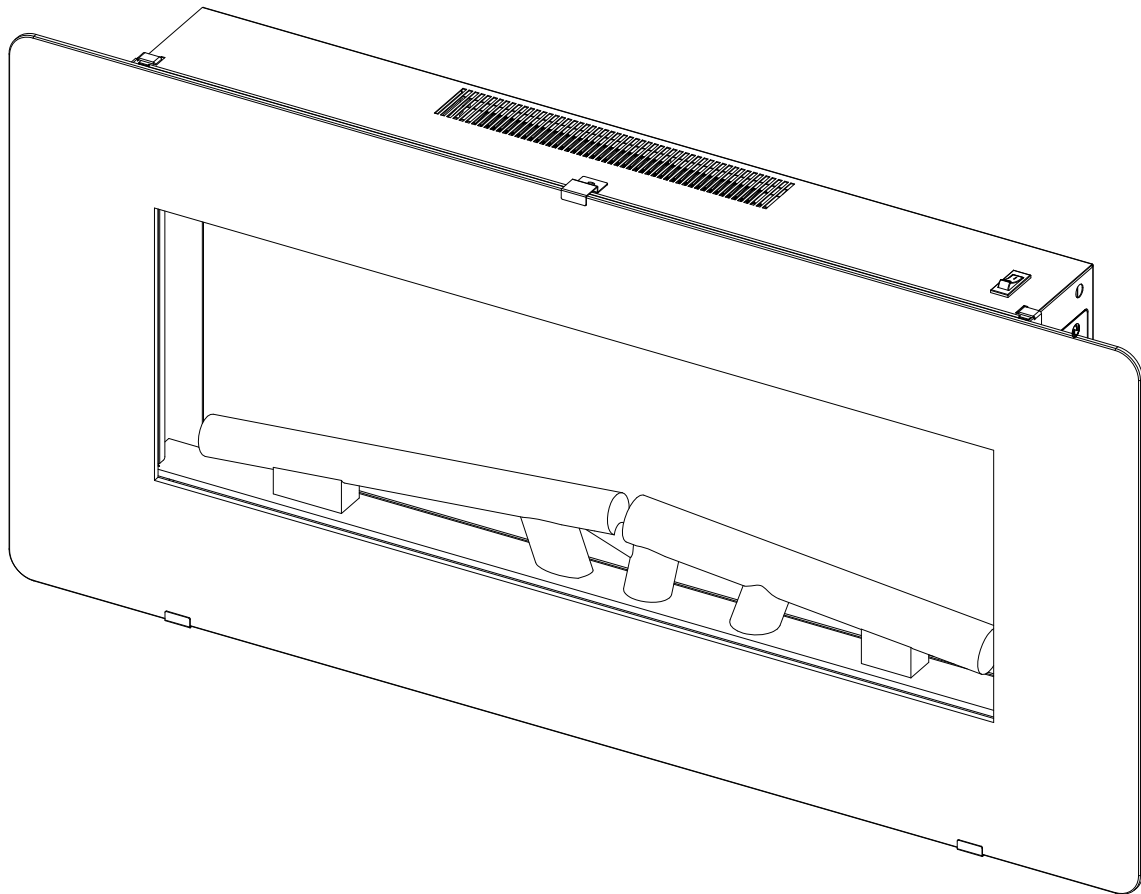




INcjb015V01_UK

820-198V70_820-198V90



IMPORTANT, RETAIN FOR FUTURE REFERENCE: READ CAREFULLY

ASSEMBLY & INSTRUCTION MANUAL

Table of Contents

Table of Contents	1	Installation-Wall-Mount	5
Safety Information	1	Operation	6-7
Pre-Installation	2	Using the Remote Control	8
Remote Control	3	Care and Cleaning	9
Pre-Installation(continued)	3-4		

Safety Information

Retain for future reference: Read carefully

- Read all instructions before using this fireplace.
- Always unplug this appliance when not in use.
- Children should be advised not to play with this fireplace.
- Do not operate any heater with a damaged cord or plug or after the heater malfunctions, has been dropped or damaged in any manner. Return the heater to an authorized service facility for examination, electrical or mechanical adjustment, or repair.
- Any repairs to this appliance should be carried out by qualified/authorized service personnel only.
- Under no circumstances should this appliance be modified. Parts having to be removed for servicing must be replaced with original "OEM" (original equipment manufacturers) parts only.
- Do not use outdoors.
- This appliance is not intended for use in bathrooms, laundry areas and similar indoor locations. Never locate this appliance where it may fall into a bathtub or other water container.**
- Do not run the cord under carpeting. Do not cover the cord with throw rugs, runners, or the like. Arrange the cord away from traffic areas and where it will not be tripped over.
- To disconnect the heater, turn controls to off, then remove the plug from the outlet.
- Connect to properly grounded outlets only.
- There is a thermostat limiter inside the fireplace. When the inner temperature over heats or abnormal heating occurs, the thermostat protective device will cut off the power supply to avoid damage to the fireplace or risk of fire.
- This appliance has hot and arching or sparking parts inside. Do not use it in areas where gasoline, paint, or flammable liquids are used or stored. This appliance should not be used as a drying rack for clothing, nor should Christmas stockings or decorations be hung on or near it.
- Use this appliance only as described in this manual. Any other use not recommended by the manufacturer may cause fire, electric shock, or injury to persons.
- The use of an extension cord is not recommended due to risk of fire. If used the extension cord shall be No. 14 AWG minimum size and rated no less than 1,875, and the extension cord shall be a three-wire cord with grounding type plus cord connector. The extension cord shall not be more than 6m / 20 ft in length.
- Do not use this appliance with a programmable timer or any other device that switches the appliance on and off automatically. In order to avoid a hazard due to inadvertent resetting of the thermal cut out, this appliance must not be supplied through an external switching device, such as a timer, or connected to a circuit that is regularly switched on and off by a utility.
- This product contains a button battery. If swallowed, it could cause severe injury or death in just 2 hours. Seek medical attention immediately.



WARNING: This heater is hot when in use. To avoid burns, do not let bare skin touch hot surfaces. If provided, use handles when moving this appliance. Keep combustible materials, such as furniture, pillows, bedding, papers, clothes, and curtains at least 3 ft. (0.9 m) from front, sides and rear of the heater.



CAUTION: Operate only on supplied stand or mount to wall. Do not install heater less than 60 cm / 23.6 in from the floor.



CAUTION: When using electrical appliances, basic precautions should always be followed to reduce the risk of fire, electrical shock, and injury to persons.



CAUTION: To prevent a possible fire, do not block heater air intakes or the exhaust in any manner. Do not operate the heater on soft surfaces, like a bed, where openings may become blocked.



CAUTION: Do not insert or allow foreign objects to enter any ventilation or exhaust openings, as this may cause an electric shock or fire, or damage to the heater.



CAUTION: Extreme caution is necessary when any heater is used by or near children or invalids, and whenever the heater is left operating and unattended.



IMPORTANT:
SAVE THESE INSTRUCTIONS.

Pre-Installation

PLANNING INSTALLATION

Before you begin assembly, locate the instructions and hardware. Compare all parts with the Hardware Included and Package Contents lists. Be sure you have all the parts and can identify them. A helping hand is always good. Assemble your fireplace with an adult assistant if possible. Some pieces are heavy and will need to be held by a helper. Assembly time will take approximately 5-20 minutes.

Before assembly, use scissors to unwrap the parts from the packaging. Do not use a box cutter or exacto-knife, as you may cut into the heater pieces inside the box and damage the finish. Check for the red hardware bag located inside the packaging, taped to the top of the box. Do not discard any pieces. Use an appropriate screwdriver to insert and tighten all screws.



CAUTION: This carton includes a GLASS panel! Always use extreme caution when handling glass. Failure to do so could result in personal injury or property damage.

SPECIFICATIONS

Wall Mounted Dimensions W x D x H	36inX4.3inX17.3in
Voltage	220-240V
Frequency	50 Hz
Watts / Amps	1800W-2000W

ELECTRICAL CONNECTION



WARNING: Electrical outlet wiring must comply with local building codes and other applicable regulations to reduce the risk of fire, electrical shock, and injury to persons.



WARNING: Do not use this fireplace if any part of it has been under water. Immediately call a qualified service technician to inspect the fireplace and replace any part of the electrical system which has been under water.

Remote Control


This Class (B) device complies with Part 15 of the FCC Rules and Canadian ICES-003. Operation is subject to the following two conditions:

(1) This device may not cause harmful interference, and (2) this device must accept any interference received, including interference that may cause undesired operation. There is no guarantee that interference will not occur in a particular installation. If this equipment does cause harmful interference to radio or television reception, which can be determined by turning the equipment off and on, the user is encouraged to try to correct the interference by one or more of the following measures:

- Reorient or relocate the receiving antenna.
- Increase the separation between the equipment and receiver.
- Connect the equipment into an outlet on a circuit different from that to which the receiver is connected.
- Consult the dealer or an experienced radio/TV technician for help.

This remote control requires 1 Lithium Coin Cell Battery (size CR2025), which is included.

CAUTION: Changes or modifications to this unit not expressly approved by the party responsible for compliance could void the user's authority to operate the equipment

WARNING:
 DO NOT mix old and new batteries.
 DO NOT use rechargeable silver oxide cell batteries with remote control unit.
 DO NOT mix alkaline, standard (Carbon-Zinc), or rechargeable (Nickel-Cadmium) batteries.
 DO NOT dispose of batteries in fire. Improper disposal may cause batteries to leak or explode.

Pre-Installation (continued)

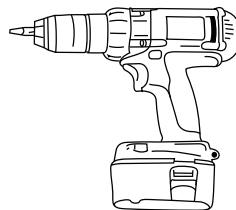
TOOLS REQUIRED (NOT INCLUDED)



Safety goggles



Phillips
screwdriver



Power drill

HARDWARE INCLUDED



NOTE: Hardware shown to actual size.



AA



BB

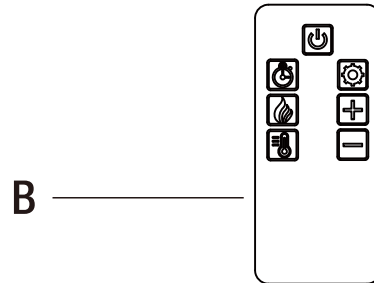
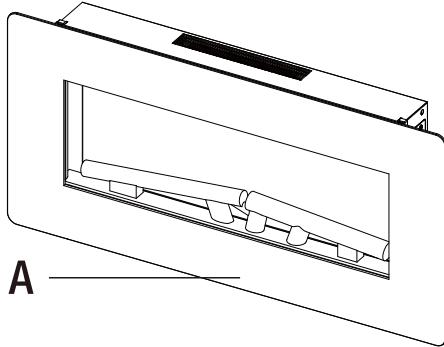


CC

Part	Description	Quantity
AA	Small Screw	3+1
BB	Large Screw	3+1
CC	Wall Anchor	3+1

Pre-Installation (continued)

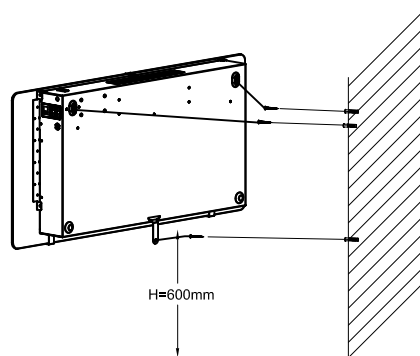
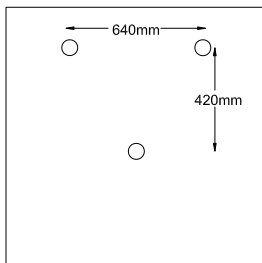
PACKAGE CONTENTS



Part	Description	Quantity
A	Electric Firebox	1
B	Remote Control	1

Installation Instructions




IMPORTANT NOTICE! PLEASE FOLLOW BELOW EXTRA INSTRALLATION INSTRUCTIONS.

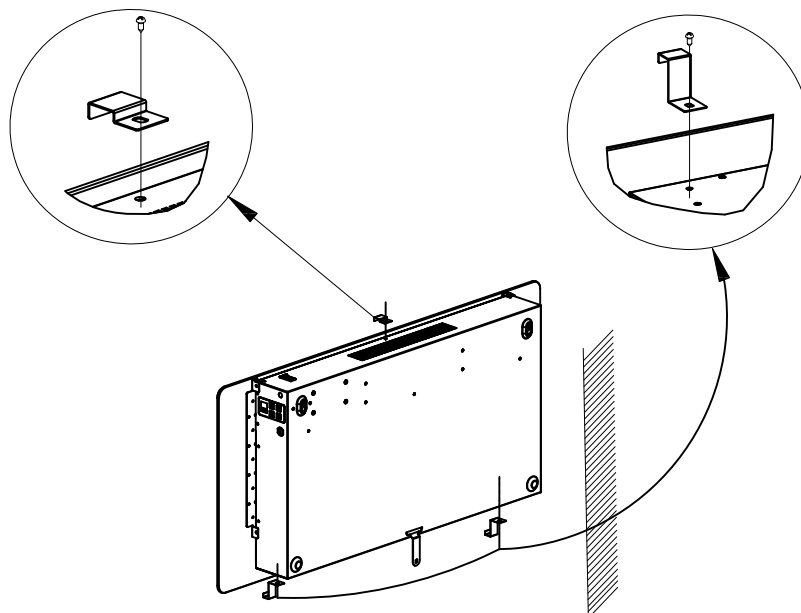


3x  ST3.9x35

3x 

1x 

1x 
2x 
3x  M4x6

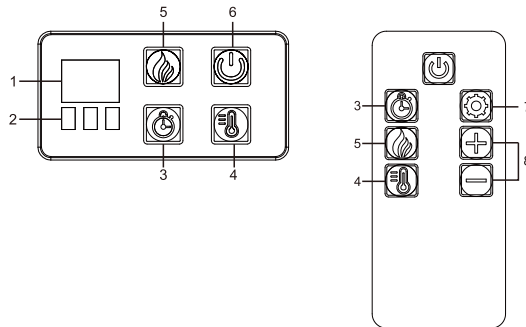


Operation

1 USING THE MANUAL AND REMOTE CONTROLS

Note: This panel contains the buttons to properly operate the electric fireplace. The buttons on the control panel on the side of the electric fireplace and the remote control function in the same way. The remote control has an effective range of up to 13 feet.

- 1 Digital display unit
- 2 Function indicator
- 3 Timer button
- 4 Thermostat button
- 5 Flame control button
- 6 Power ON/OFF button
- 7 Week timer
- 8 Week timer adjustment



2 USING THE POWER ON/OFF BUTTON

Pressing the Power on/off button (6) once to turns the unit on. Pressing the Power on/off button (6) again will turn the unit off. If you find that none of the other buttons appear to work, check to make sure that the Power on/off button (6) is turned on.

3 USING THE FLAME CONTROL BUTTON

Pressing the flame control button (5) to turn on the flame effect. To press the flame control button (5) to adjust the flame brightness, there are 3 levels of flame brightness, L3-L2-L1-L3.

4 USING THE THERMOSTAT CONTROL BUTTON

Pressing the thermostat control button (4) to turn on the heating function. Pressing the thermostat control button (4) again to turn on the heating function. Continue to press the thermostat button (4) to cycle through the different heat settings, 17°C-18 °C-19 °C-.....-26 °C-27 °C-ON-OFF.

To display the temperature setting in either Fahrenheit or Celsius, press the thermostat button (4) of control panel once, then press and hold the power on/off button (6) of the control panel for 5 seconds. The display will switch between Fahrenheit or Celsius.

Operation (continued)

5 USING THE TIMER CONTROL BUTTON

Pressing the timer control button (3) will set the timer. This interval period is shown in the display (1) on the control panel on the side of the electric fireplace. There are total 8 levels timer settings, from 0.5hr - 1hr - 2hr - 3hr - 4hr - 5hr - 6hr - OFF.

6 USING THE WEEK TIMER CONTROL BUTTON

Note: Besides a regular timer function, this unit also equipped with week timer function, to setup the time when to turn on and off the heater with desired temperature, one group each day and max. 7 days/group available. if stop pressing any of those buttons for more than 5 seconds, will quite the week timer function and confirm the previous setting.

7 USING THE REMOTE CONTROL TO SETUP THE WEEK TIMER

Press the week timer button(7) 1st time to activate the function and setup the current local time by pressing week timer adjustment buttons(8) "+" / "-" and re-press the week timer button(7) and display (B) will show "ld", and press again the week timer button(7) to enter the adjustment mode and the digital display showing "--", then press the week timer adjustment buttons(8) "+" / "-" to setup the time to turn on and turn off the unit, and press the week button(7) 4th times to setup the temperature.

Repeat the actions above to setup the time and temperature for other groups and different days.

8 USING THE TIMER BUTTON 13 ON CONTROL PANEL TO SETUP THE WEEK TIMER

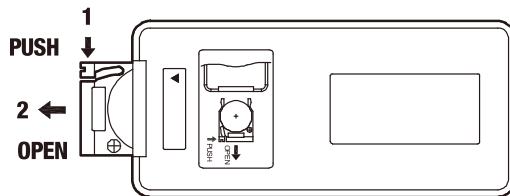
Press and hold the timer button(3) on control panel for 5 seconds to input current local time(01,02,03, ... 21,22,23) by pressing flame button(5) or thermostat control button(4), then press timer button (3) again to confirm previous setup and the digital display will show "1d" to start setup 1st group and re-press the timer button(3) once and right after the digital display showing "--" to setup the UNIT-ON-TIMER by pressing flame button(5) or thermostat control button(4) and press timer button(3) again and after digital display showing "--" to setup UNIT-OFF-TIMER by pressing flame button(5) or thermostat control button(4), then press the timer button(3) once to confirm the previous settings and after the digital display showing "--" to setup the temperature desired; and repeat to setup 2d,3d, .. ,7d; to skip a specified day/group, by continue pressing timer button(3) to select and setup the timer function o the specified date desired.

Using the Remote Control

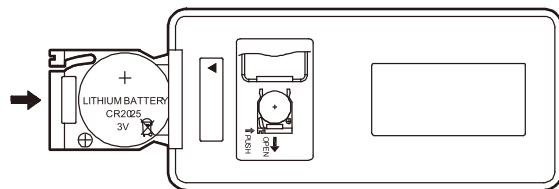
1 Installing the battery

The first thing to do with the remote control is to remove the plastic sheet insulated the battery. The battery is supplied with the remote control. Replacement batteries can be purchased at any electronics store. The part number for the battery is *CR2025*. Please follow the sequence below to replace the battery.

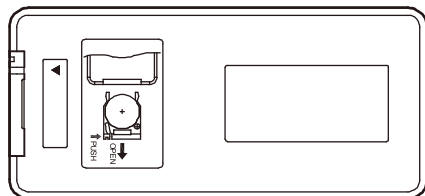
- Take out the battery bracket.



- Insert the battery with the button side into the battery bracket, making sure the battery is firmly seated.



- Press the battery bracket into the remote control, making sure it snaps into position.



- Turn the remote over and aim it towards the fireplace/heater unit.
- Press the power button on the upper right, and see if the flames on the fireplace/heater turn on or off.
- If nothing appears to happen, check to make sure the battery is installed correctly, and try again.

Care and Cleaning



IMPORTANT: Always unplug the power cord before cleaning the unit. Allow the unit to cool before cleaning it.

- Wipe the exterior surface of the electric firebox occasionally with a soft, damp cloth (not dripping wet), and dry the exterior surface before operating.
- Do not immerse the electric fireplace in water.
- Do not use any cleaning chemicals such as detergents and abrasives.
- Do not allow the interior to get wet, as this could create a hazard.
- Light accumulated dust may be removed from the electric fireplace with a soft, dry cloth.
- To store the electric fireplace, put it back into its original packaging and store in a clean, dry place.
- The blower and flame motor are pre-lubricated for a durable using time and need no further lubrication or maintenance. Dust particles will accumulate on/in the electric fireplace, so periodic cleaning/vacuuming of the electric fireplace is recommended.
- Always turn the heater OFF and unplug the power cord from the outlet before cleaning.
- Cleaning of the control panel, located in the upper right-hand corner of the fireplace behind the sliding control panel cover, is to be done only using a soft cloth, slightly dampened in water (if needed, a small amount of dish soap can be added to the water) and dried using a clean, dry soft cloth. Cleaning of the screen diffuser is to be done using only water and lint free cloth. DO NOT use any abrasive on the controls and the diffusing screen.