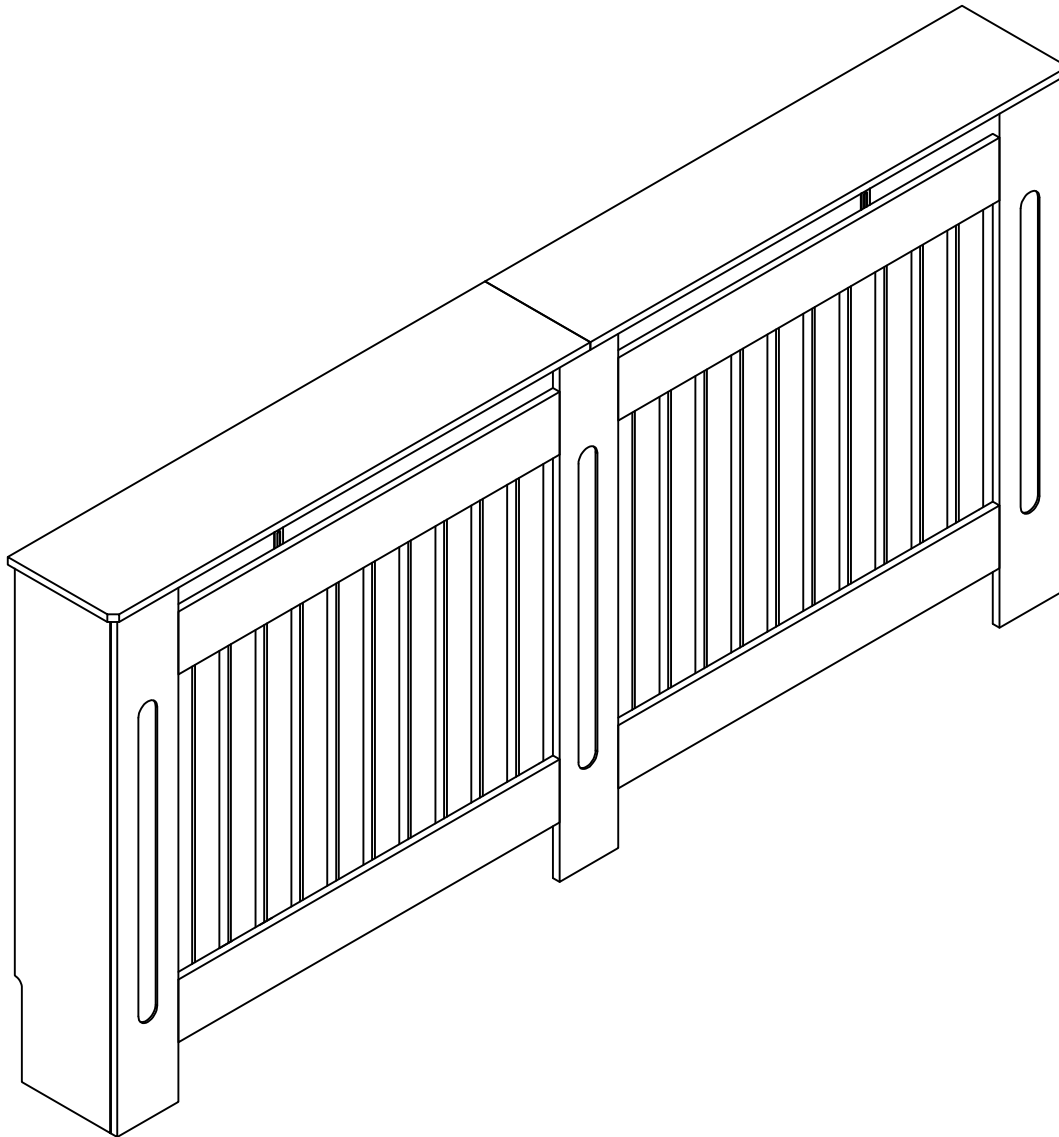
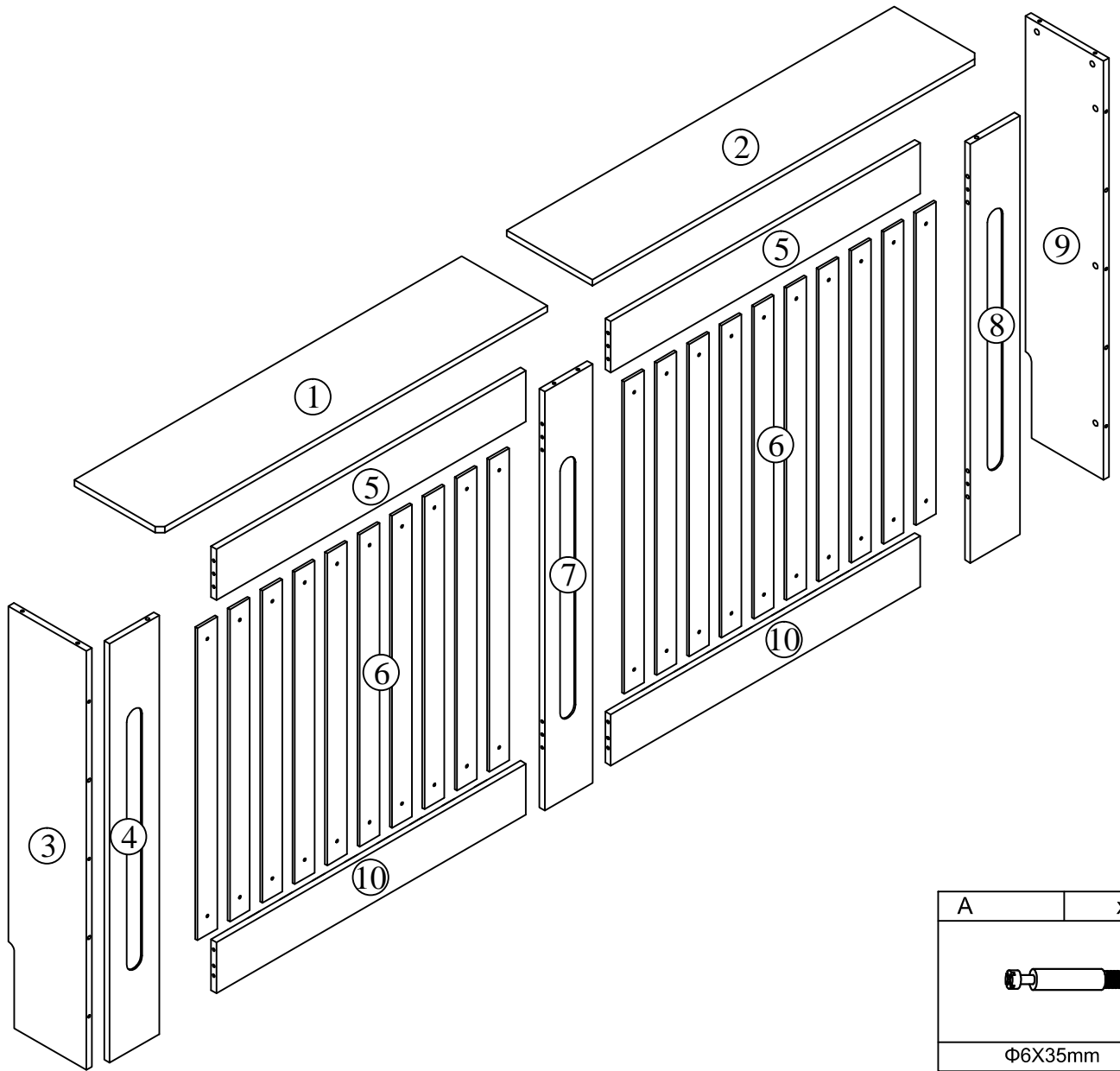


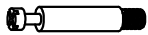
831-031





Please read these instructions and warranty information carefully before use and keep them properly for future reference.


OPERATING I N S T R U C T I O N S





A	x 14
	
Φ6X35mm	


B	x 23
	


C	x 22
	
Φ6X30mm	


D	x 9
	

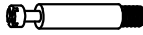
E	x 40
	
Φ3X14mm	


F	x 2
	
Φ4X35mm	

G	x 2
	

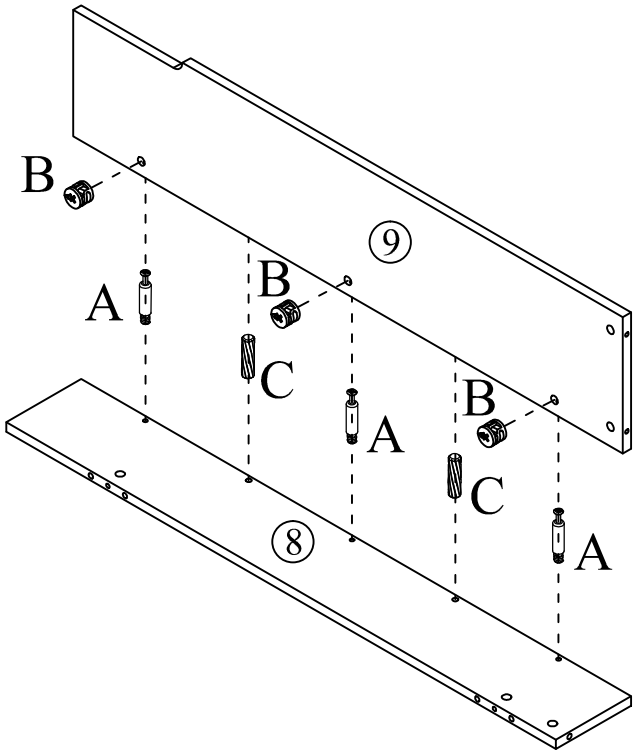
H	x 6
	
Φ3X10mm	

I	x 2
	

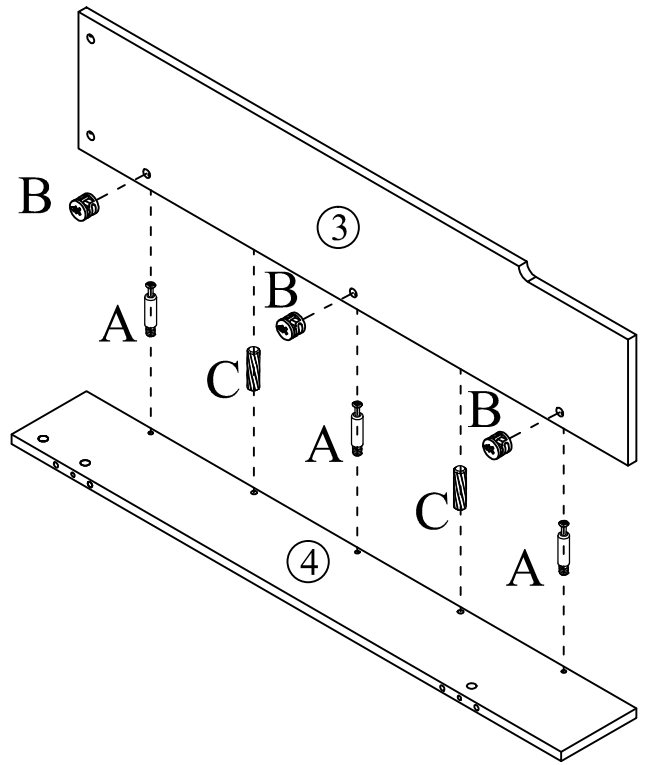
J	x 9
	
Φ6X40mm	

K	x 2
	

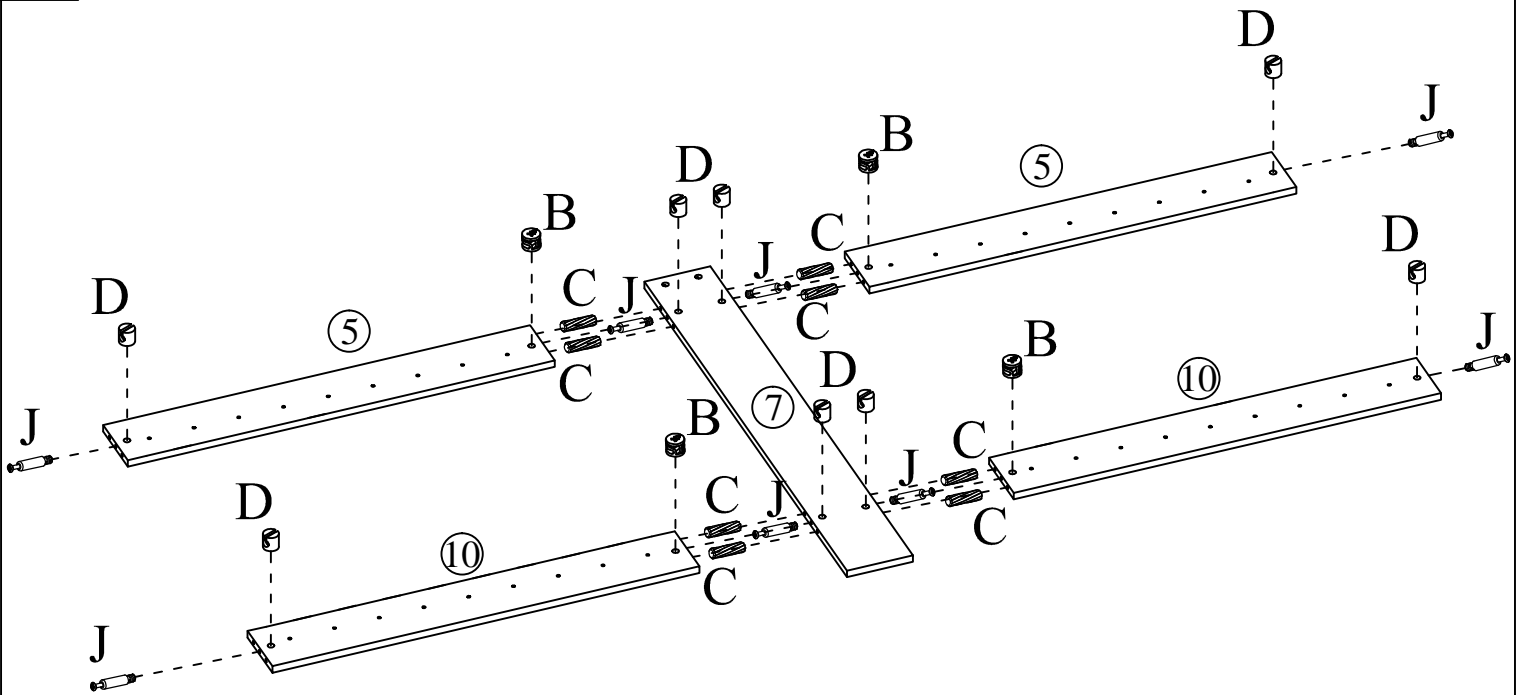
1



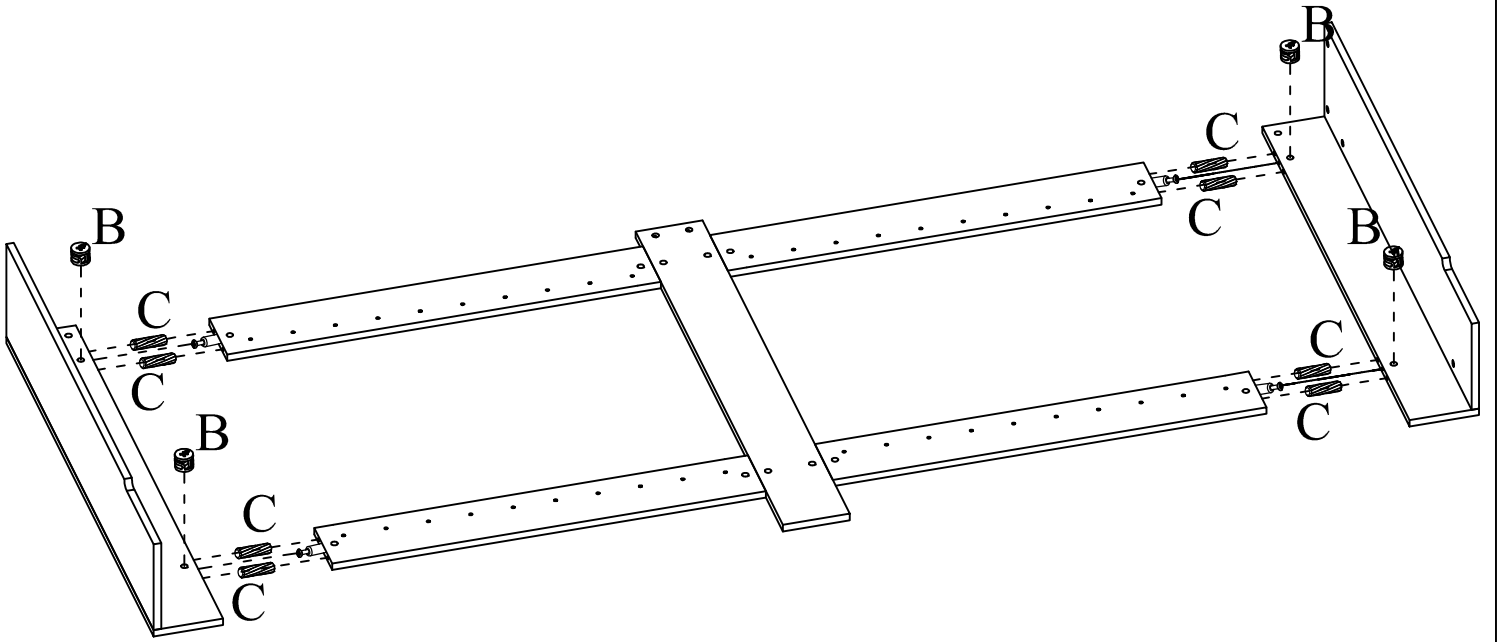
2



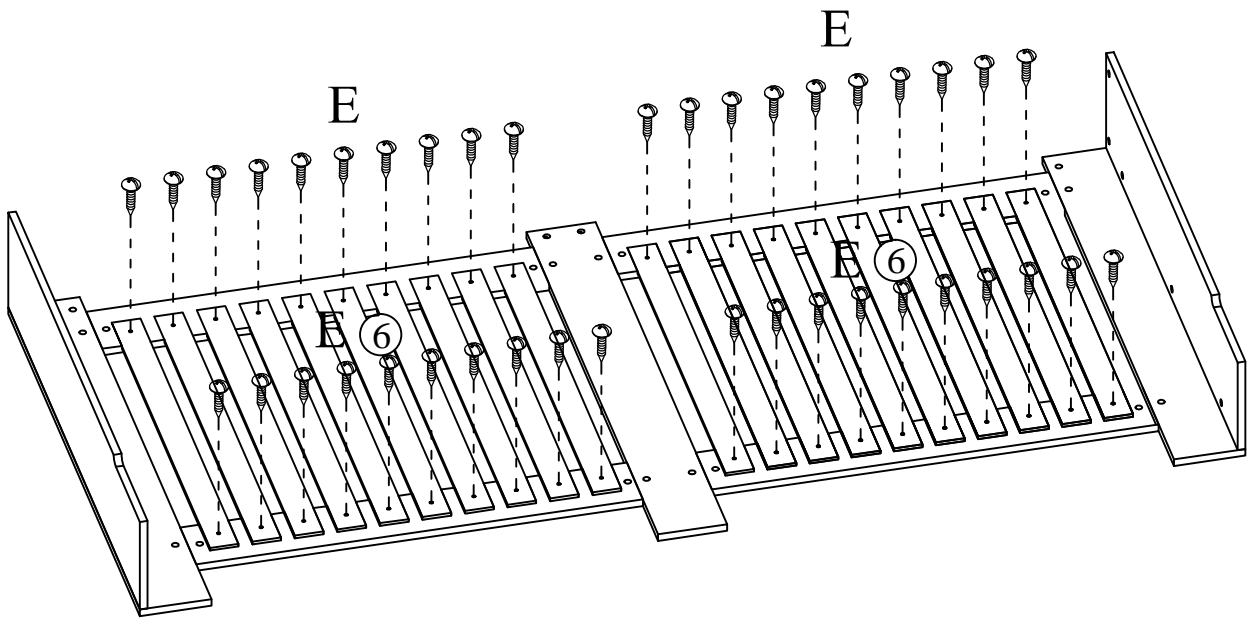
3



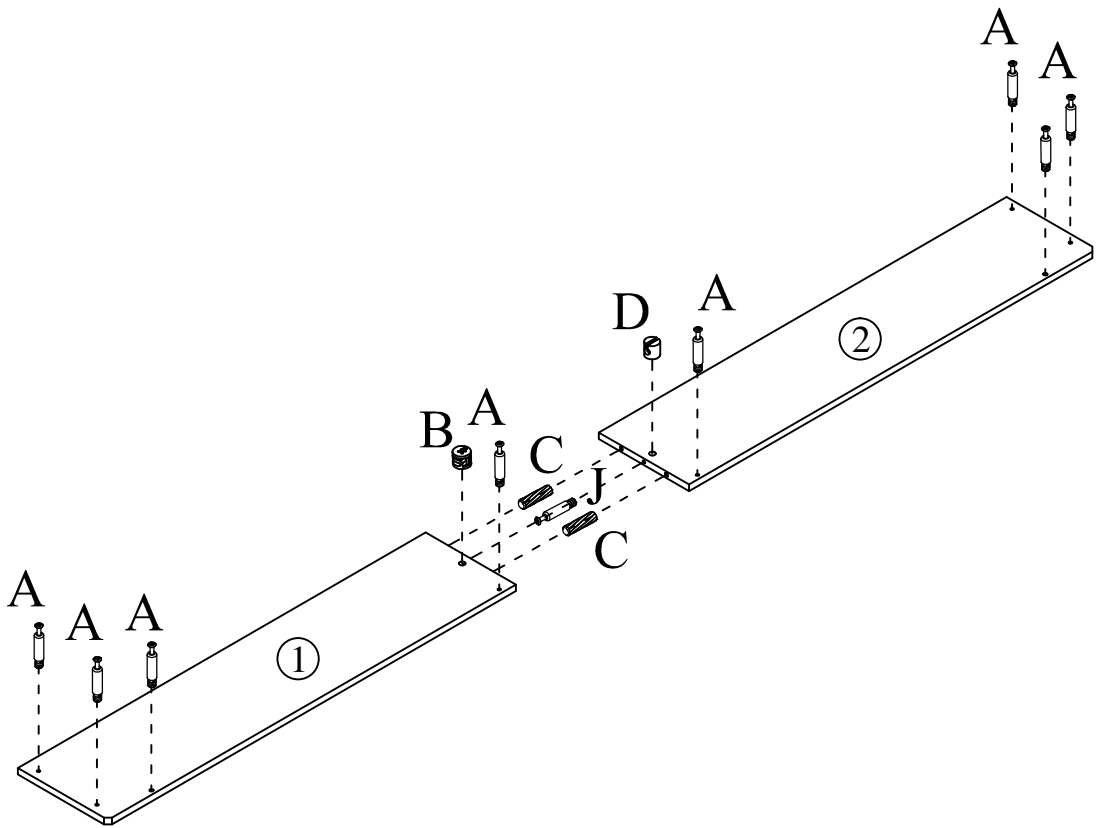
4



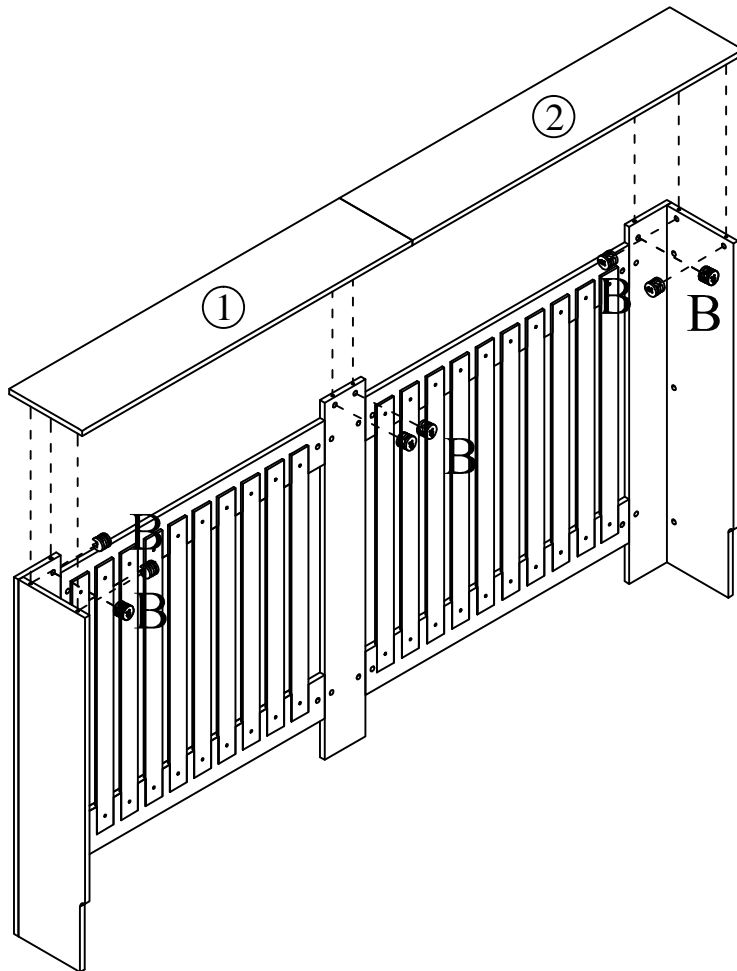
5



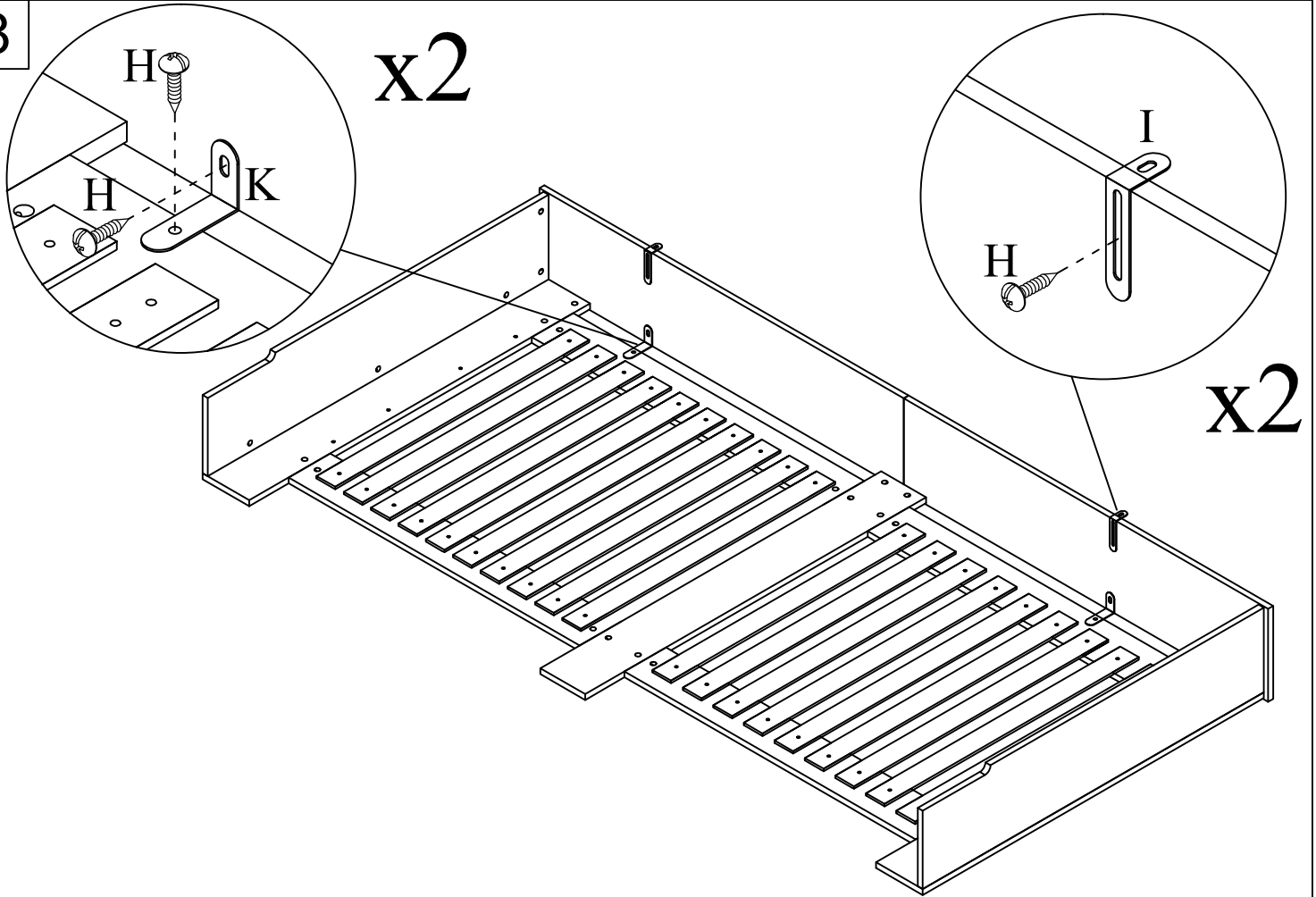
6



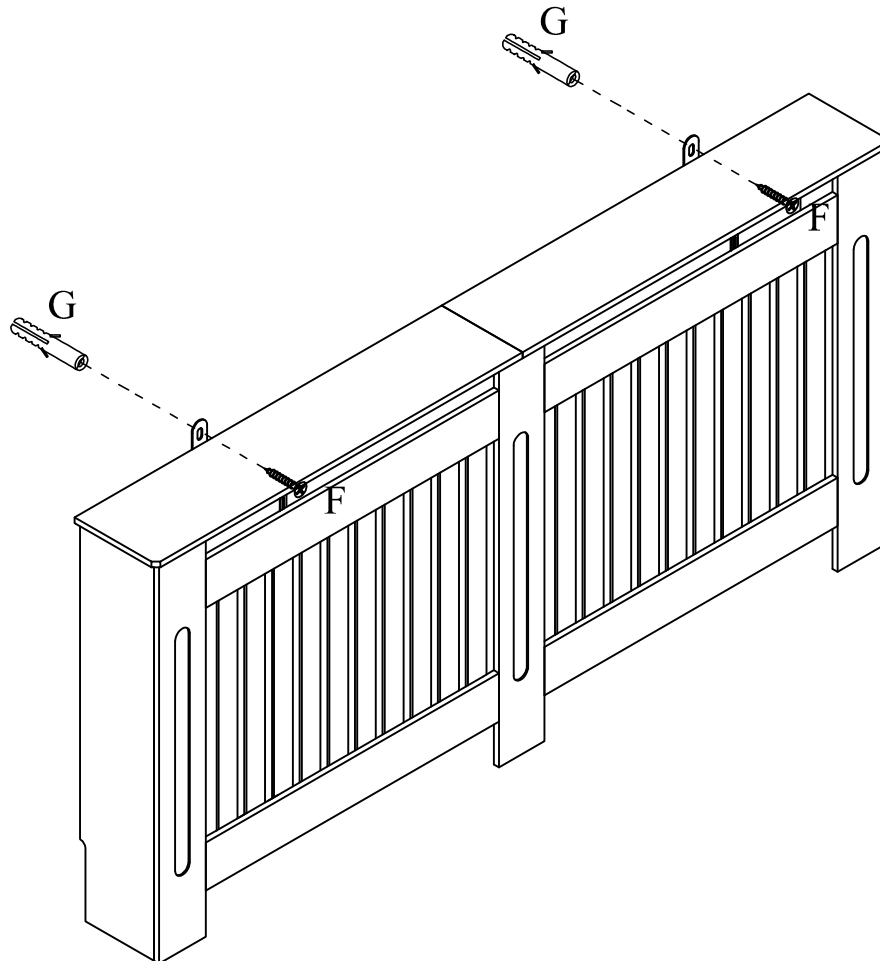
7



8



9



US



001-877-644-9366
customerservice@aosom.com

CA



001-855-537-6088
customerservice@aosom.ca

UK



0044-800-240-4004
enquiries@mhstar.co.uk

DE



0049-(0)40-88307530
service@aosom.de

FR



0033-1-84166106
contact@aosom.fr

ES



0034-931294512
atencioncliente@aosom.es

IT



0039-0249471447
clienti@aosom.it