

HEATER

CH-05

220-240V~50 Hz 400W-450W



INSTRUCTION MANUAL

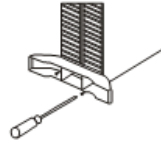
GENERAL DESCRIPTION

The frost guard is an electric convector heater used to protect against frost and to heat up smaller areas indoors (IP20)

It is fitted with a thermostat for correct temperature setting. The thermostat switches the unit on/off to keep the temperature at set level. A control lamp lights up when the unit actively starts to heat up. The frost guard is equipped with a re-settable thermo-fuse, which turns off the heater if it becomes too hot and switches itself on again after the unit has cooled down.

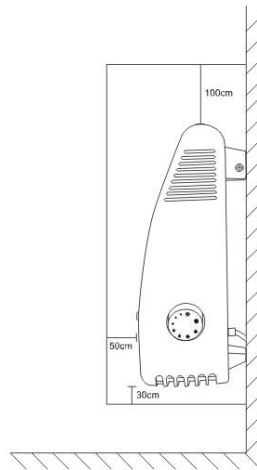
ASSEMBLY OF THE HEATER

Before using the heater, the feet (supplied separately in the carton), must be fitted to the unit. These are to be attached to the base of the heater using the 4 self-tapping screws provided, taking care to ensure that they are located correctly in the bottom ends of the heater side moldings



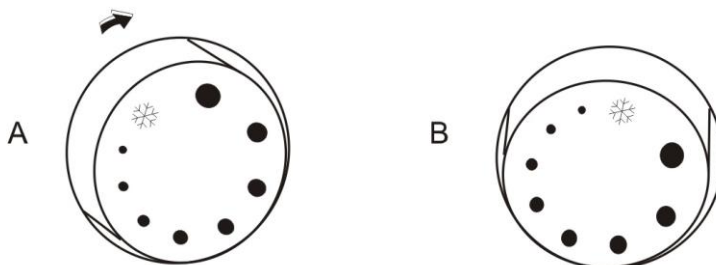
MOUNTING

The unit must be mounted so that the flow of the hot air is not blocked or hindered. The heater itself becomes hot. Be therefore aware of keeping the minimum distances as specified in drawing below.



1. Remove the mounting bracket (1) from the heater by unscrewing the mounting bracket screws (2).
2. Drill doles in the wall and fix the bracket to the wall tightly. Make sure the bracket is vertically positioned so the heater is not tilted.
3. Attach the heater to the mounting bracket by hanging it onto the bracket. When in place lock by securing it with the bracket screws (2).
4. After connecting the plug to an electric socket, the guard is ready for use.

OPERATING INSTRUCTIONS



Setting the proper room temperature

1. Turn the rotary knob (5) clockwise as far as it will go. (A)

2. Wait until the heater has warmed up the room to a suitable temperature and then turn the knob back slowly until the control lamp goes out.
3. The thermostat is now set at the right temperature and will turn ON when temperature goes below this point, or OFF when above.

Frost guard function

By setting the rotary knob to the 2nd dot ● after the snowflake symbol, the frost guard will automatically turn on at approximately +2°C and protect against frost. (B)

MAINTAINANCE

Before cleaning the heater disconnect the plug from the power supply and let it cool down. Clean the casing with a damp cloth. Do not use any strong cleaning material and don't allow water to reach any internal parts.

SPECIFICATIONS

Voltage: 220-240V, 50Hz

Power: 400W-450W

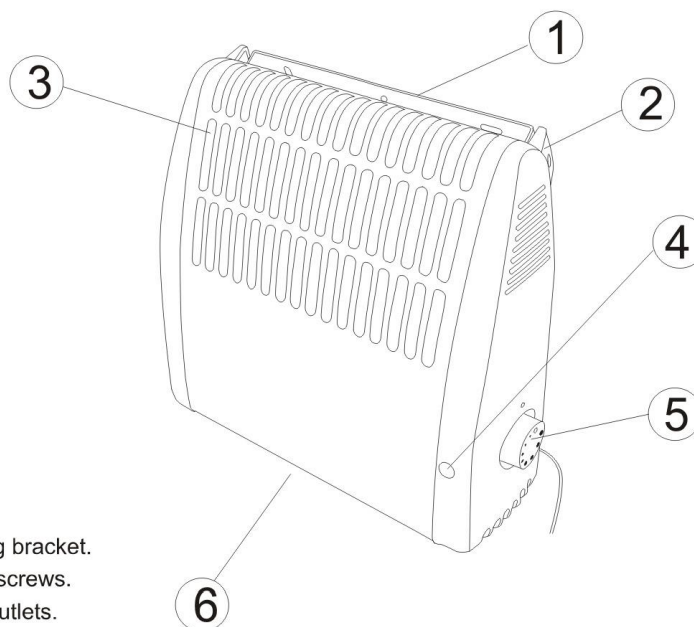
IP class: IP20

The appliance is not intended for use by persons (including children) with reduced physical, sensory or mental capabilities, or lack of experience or knowledge, unless they have been given supervision or instruction concerning use of the appliance by a person responsible for their safety.

SAFETY INSTRUCTIONS

Please read these instructions carefully to ensure safe usage of this product.

- Ensure that the unit has not been damaged during delivery.
- Only mount the unit indoors, in a clean and dry environment (IP20).
- This unit must be wall mounted before use.
- Never place the cable directly against the heater or close to the hot air outlet.
- Do not place the frost guard next to, or above, an electric socket.
- Never cover the frost guard in any way. Risk of overheating and fire!
- Do not place the heater close to flammable materials. The unit must be mounted so that the flow of hot air is not blocked or hindered in any way. Keep the following distances free from the heater:
 - 50cm in front of hot air outlets
 - 30cm below the heater
 - 100cm above the heater.
- Always unplug the unit when it is not used. Even with the lowest thermostat setting the heater is still on.
- Never use the frost guard in areas where explosive gases or liquids are stored.
- Never use the heater with a timer or other equipment, which can turn the unit on automatically.
- If the power cable is damaged, it should only be replaced by the manufacturer or by an authorized service agent.
- Only connect to a suitable 220-240V socket.



1. Mounting bracket.
2. Bracket screws.
3. Hot air outlets.
4. Control lamp.
5. Rotary knob.
6. Air intake.