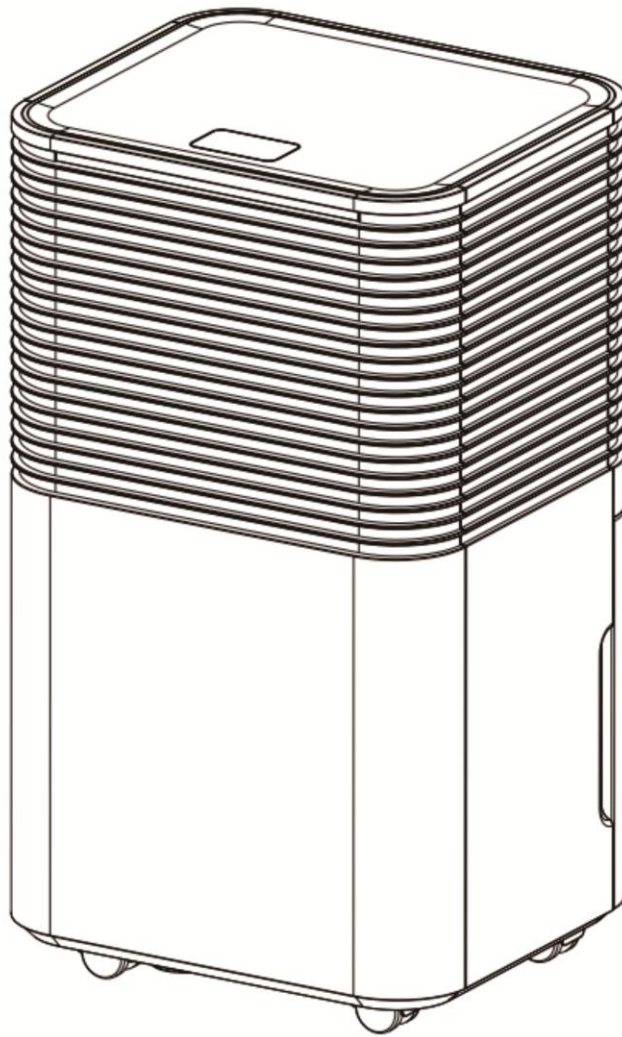




INcjd102_UK_FR_DE



IMPORTANT, RETAIN FOR FUTURE REFERENCE: READ CAREFULLY

ASSEMBLY & INSTRUCTION MANUAL

EN_1. BEFORE YOU BEGIN





Please read the operating instructions carefully before using your dehumidifier for the first time.

1.1 PRODUCT DESCRIPTION

The dehumidifier is used to remove excessive moisture from the air. The resulting reduction in relative humidity protects buildings and their contents from the adverse effects of excess humidity.

The environmentally friendly R290 is used as the refrigerant. R290 has no damaging influence on the ozone layer (ODP), a negligible greenhouse effect (GWP) and is available worldwide. Because of its efficient energy properties, R290 is highly suitable as a coolant for this application. Special precautions must be taken into consideration due to the coolant's high flammability.

SYMBOLS FROM THE UNIT AND USER MANUAL

 warning	This unit uses a flammable refrigerant. If refrigerant leaks and comes in contact with fire or heating part, it will create harmful gas and there is risk of fire.
	Read the USER MANUAL carefully before operation.
	Further information is available in the USER MANUAL, SERVICE MANUAL, and the like.
	Service personnel are required to carefully read the USER MANUAL and SERVICE MANUAL before operation.

1.2 THE FOLLOWING SHOULD ALWAYS BE OBSERVED FOR SAFETY

- This appliance is intended to be used by expert or trained users in shops, in light industry and on farms, or for commercial use by lay persons.
- This appliance can be used by children aged from 8 years and above and persons with reduced physical, sensory or mental capabilities or lack of experience and knowledge if they have been given supervision or instruction concerning use of the appliance in a safe way and understand the hazards involved. Children shall not play with the appliance. Cleaning and user maintenance shall not be made by children without supervision.
- The unit is designed only for use with R-290(propane) gas as the designated refrigerant.
- The refrigerant loop is sealed. Only a qualified technician should attempt to service!
- Do not discharge the refrigerant into the atmosphere.
- R-290 (propane) is flammable and heavier than air.
- It collects first in low areas but can be circulated by the fans.
- If propane gas is present or even suspected, do not allow untrained personnel to attempt to find the cause.
- The propane gas used in the unit has no odor.
- The lack of smell does not indicate a lack of escaped gas.
- If a leak is detected, immediately evacuate all persons from the store, ventilate the room and contact the local fire department to advise them that a propane leak has occurred.
- Do not let any persons back into the room until the qualified service technician has arrived and that technician advises that it is safe to return to the store.
- No open flames, cigarettes or other possible sources of ignition should be used inside or in the vicinity of the units.
- Component parts are designed for propane and non-incentive and non-sparking. Component parts shall only be replaced with identical repair parts.

FAILURE TO ABIDE BY THIS WARNING COULD RESULT IN AN EXPLOSION, DEATH, INJURY AND PROPERTY DAMA



2. FOR YOUR SAFETY

Your safety is the most important thing we concerned!



Please read this manual carefully and fully understand before operating your dehumidifier.

2.1 OPERATIONAL PRECAUTIONS

WARNING- to reduce the risk of fire, electric shock or injury to persons or property:

- If the supply cord is damaged, it must be replaced by the manufacturer, its service agent or similarly qualified persons in order to avoid a hazard.
- The appliance shall be disconnected from its power source during maintenance.
- Always operate the unit from a power source of equal voltage, frequency and rating as indicated on the product identification plate.
- Always use a power outlet that is grounded.
- Unplug the power cord when cleaning or when not in use.
- Do not operate with wet hands. Prevent water from spilling onto the unit.
- Do not immerse or expose the unit to rain, moisture or any other liquid.
- Do not leave the unit running unattended. Do not tilt or turn over the unit.
- Do not unplug while the unit is operating.
- Do not unplug by pulling on the power cord.
- Do not use an extension cord or an adapter plug.
- Do not put objects on the unit.
- Do not climb or sit on the unit.
- Do not insert fingers or other objects into the air outlet.
- Do not touch the air inlet or the aluminum fins of the unit.
- Do not operate the unit if it is dropped, damaged or showing signs of product malfunction.
- Do not clean the appliance with any chemicals.
- Ensure the unit is far away from fire, inflammable, or explosive objects.
- The unit shall be installed in accordance with national wiring regulations.

- Do not use means to accelerate the defrosting process or to clean, other than those recommended by the manufacture.
- The appliance shall be stored in a room without continuously operation sources (for example: open flames, an operating gas appliance or an operating electric heater).
- The appliance shall be stored so as to prevent mechanical damage from occurring.
- Do not piece or burn, even after use.
- Be aware that refrigerants may not contain an odour.
- Pipe-work shall be protected from physical damage and shall not be installed in an unventilated space, if that space is smaller than 4m².
- Compliance with national gas regulations shall be observed.
- Keep any required ventilation openings clear of obstruction.
- The appliance shall be stored in a well-ventilated area where the room size corresponds to the room area as specified for operation.



Any person who is involved with working on or breaking into a refrigerant circuit should hold a current valid certificate from an industry-accredited assessment authority, which authorizes their competence to handle refrigerants safely in accordance with an industry, recognized assessment specification.



Servicing shall only be performed as recommended by the equipment manufacturer. Maintenance and repair requiring the assistance of other skilled personnel shall be carried out under the supervision of the person competent in the use of flammable refrigerants. If you don't understand something or need help, please contact the dealer services

2.2 SAFETY PRECAUTIONS ON SERVICING

Please follow these warnings when to undertake the following when servicing a dehumidifier with R290.

2.2.1 Checks to the area

Prior to beginning work on systems containing flammable refrigerants, safety checks are necessary to ensure that the risk of ignition is minimized. For repair to the refrigerating system, the following precautions shall be complied with prior to conducting work on the system.

2.2.2 Work procedure

Work shall be undertaken under a controlled procedure so as to minimize the risk of a flammable gas or vapor being present while the work is being performed.

2.2.3 General work area

All maintenance staff and others working in the local area shall be instructed on the nature of work being carried out. Work in confined spaces shall be avoided. The area around the workspace shall be sectioned off. Ensure that the conditions within the area have been made safe by control of flammable material.

2.2.4 Checking for presence of refrigerant

The area shall be checked with an appropriate refrigerant detector prior to and during work, to ensure the technician is aware of potentially flammable atmospheres. Ensure that the leak detection equipment being used is suitable for use with flammable refrigerants, i.e. no sparking, adequately sealed or intrinsically safe.

2.2.5 Presence of fire extinguisher

If any hot work is to be conducted on the refrigeration equipment or any associated parts, appropriate fire extinguishing equipment shall be available to hand. Have a dry powder or CO₂ fire extinguisher adjacent to the charging area.

2.2.6 No ignition sources

No person carrying out work in relation to a refrigeration system which involves exposing any pipe work that contains or has contained flammable refrigerant shall use any sources of ignition in such a manner that it may lead to the risk of fire or explosion. All possible ignition sources, including cigarette smoking, should be kept sufficiently far away from the site of installation, repairing, removing and disposal, during which flammable refrigerant can possibly be released to the surrounding space. Prior to work taking place, the area around the equipment is to be surveyed to make sure that there are no flammable hazards or ignition risks. "No Smoking" signs shall be displayed.

2.2.7 Ventilated area

Ensure that the area is in the open or that it is adequately ventilated before breaking into the system or conducting any hot work. A degree of ventilation shall continue during the period that the work is carried out. The ventilation should safely disperse any released refrigerant and preferably expel it externally into the atmosphere.

2.2.8 Checks to the refrigeration equipment

Where electrical components are being changed, they shall be fit for the purpose and to the correct specification. At all times the manufacturer's maintenance and service guidelines shall be followed. If in doubt consult the manufacturer's technical department for assistance.

The following checks shall be applied to installations using flammable refrigerants:

- The charge size is in accordance with the room size within which the refrigerant containing parts are installed;
- The ventilation machinery and outlets are operating adequately and are not obstructed;
- If an indirect refrigerating circuit is being used, the secondary circuit shall be checked for the presence of refrigerant;
- Marking to the equipment continues to be visible and legible. Markings and signs that are illegible shall be corrected;
- refrigeration pipe or components are installed in a position where they are unlikely to be exposed to any substance which may corrode refrigerant containing components, unless the components are constructed of materials which are inherently resistant to being corroded or are suitably protected against being so corroded.

2.2.9 Checks to electrical devices

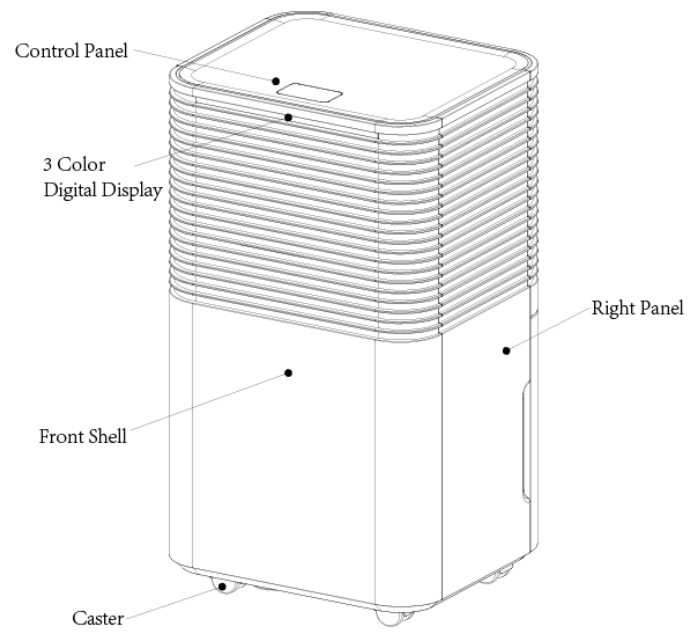
Repair and maintenance to electrical components shall include initial safety checks and component inspection procedures. If a fault exists that could compromise safety, then no electrical supply shall be connected to the circuit until it is satisfactorily dealt with. If the fault cannot be corrected immediately but it is necessary to continue operation, an adequate temporary solution shall be used. This shall be reported to the owner of the equipment so all parties are advised.

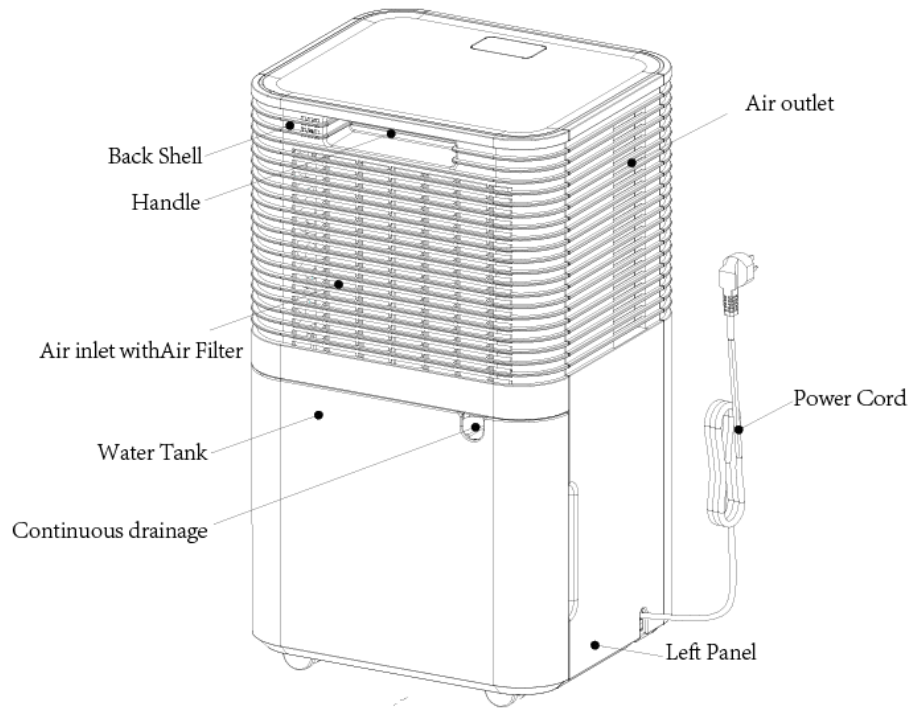
Initial safety checks shall include:

- those capacitors are discharged: this shall be done in a safe manner to avoid possibility of sparking;
- that there no live electrical components and wiring are exposed while charging, recovering or purging the system;
- that there is continuity of earth bonding

3. PRODUCT OVERVIEW

3.1 PRODUCT VIEW

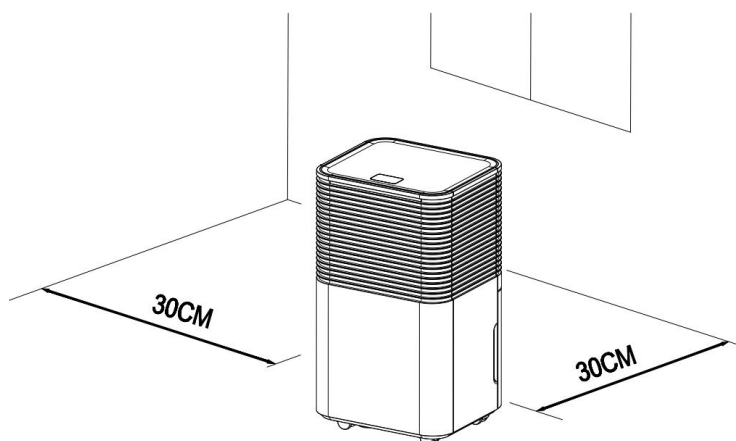




4. INSTALLATION

4.1 LOCATION

1. Place the unit on a firm, level surface in an area with at least 30cm of free space around it to allow for proper air circulation.
2. Never install the unit where it could be subject to :
 - Heat sources such as radiators, heat registers, stoves or other products that produce heat.
 - In an area where oil or water may be splashed
 - Direct sunlight
 - Mechanical vibration or shock
 - Excessive dust
 - Lack of ventilation, such as cabinet or bookcase
 - Uneven surface



WARNING

Install the unit in rooms which exceed 4 m².

Do not install the unit in a place where inflammable gas may leak.



NOTE

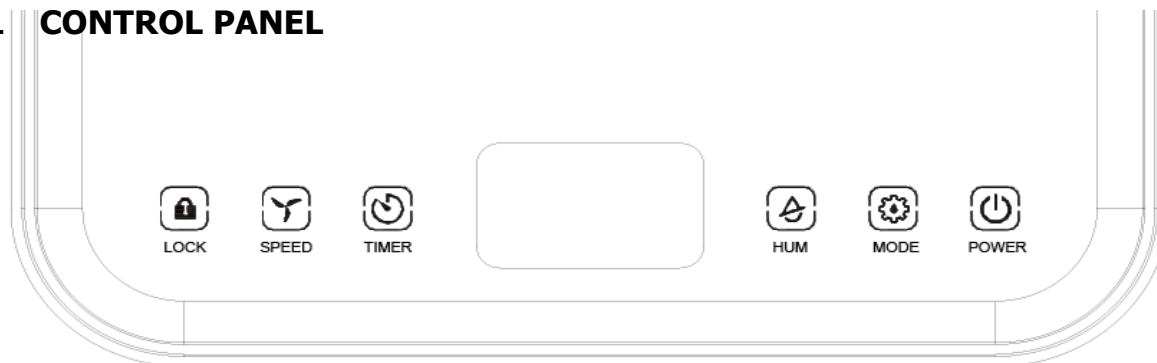
The manufacture may provide other suitable example or may provide additional information about the refrigerant odour.

4.2 OPERATING THE DEVICE SAFELY

- Check the device after unpacking for any damages or scratches on it.
- Operate this unit in an ambient temperature from 5°C to 35°C.
- Do not use in the outdoors. This dehumidifier is intended for indoor residential applications only.
- Do not operate in close proximity to walls, curtains, or other objects that may block inlet and outlet.
- Keep the air inlet and outlet free of obstacles.
- Adjusting the wind deflector in the upward direction prior to start up.
- If tipped more than 45°, allow the unit to set upright for at least 24 hours before start up.
- Keep doors and windows close for better energy saving.
- Do not operate or store the unit in direct sunlight or rain.
- It is normal for air outlet to feel warm to touch after continuous operation on hot days.
- Empty the water tank before moving the device.
- Make sure the Water tank is correctly fitted otherwise the unit will not operate properly.
- The dehumidifier starts up in the mode selected when the unit was last used.
- The dehumidifier starts dehumidifying if the room humidity is 3% higher than the selected humidity.
- There is a protective 3-minutes time delay of the compressor. Wait 3 minutes for the dehumidifier to resume dehumidification.

5. OPERATION

5.1 CONTROL PANEL



POWER

After switching on the power, all the indicators and the screen will be on for 1 second and then off. After a buzzer, the power indicator will be on and the machine will be in standby mode.

Press this button, the machine starts to run, the machine initial humidity is 60%RH, default automatic mode and high wind operation.

Press this key again, the machine will stop running, and the fan will be closed.



MODE

Auto mode - continuously drying mode-sleeping mode cycle, press once to switch the mode from one to another, the corresponding indicator lights up.

- **Auto mode:** when environmental humidity \geq set humidity +3%, the fan starts working and compressor starts working after 3 seconds.

When environmental humidity \leq set humidity -3%, the compressor stops working and the fan delay shutdown.

Both fan speed and humidity can be adjusted under auto mode.

- **Continuously drying mode:** The machine continues to run, but the humidity can not be adjusted.

- **Sleeping mode:** Touch the sleep button, the button lights up and start the sleep function. After no operation in 10 seconds, all indicators turns dark gradually and the wind speed is automatically switched from high to low. Touch any button to wake up the indicator. Touch sleep button again to exit the sleep mode.

In sleep mode, the fault code is not displayed, the wind speed is not adjustable, and the humidity is adjustable.



HUM

In automatic mode or sleep mode, you can operate this key to adjust the set humidity: every time you press the set humidity increase by 5%, according to the cycle of 30%-80%.

Long press this key to query the current room temperature, double eight lights display the current room temperature 5 seconds after the automatic return to display the current humidity. If this key is pressed for a long time, it will be display the ambient temperature.



TIMER

Press this key to set the timer function of 0-24 hours. The interval is 1 hour. Each time you press this button, the value increased 1 hours and then the corresponding timing value is displayed on the screen. The setting value is "00" to cancel the timer function. The indicator turns out.

After the timer is set and completed, the timer LED is on during the timing period. After the timing is over, the timer LED turns off automatically.

In the running state, set the time to turn off the machine;
in the standby state, set the time to turn on the machine.



SPEED

The wind speed can only be adjusted in the automatic mode. Press this key to switch the high and low wind speed. The corresponding wind speed indicator lights up.



LOCK

Long press this key to open the child lock function. The child lock indicator light is on. All the keys are locked and cannot be operated. Press this button again, the indicator light will go out, and the button will be restored.

Open the child lock function, as long as the shutdown or power off will automatically cancel the child lock function.

3 Color Digital Display:

Ambient Humidity < 45%, The light show Blue

$45 \leq$ Ambient Humidity $\leq 65\%$, The light show Green

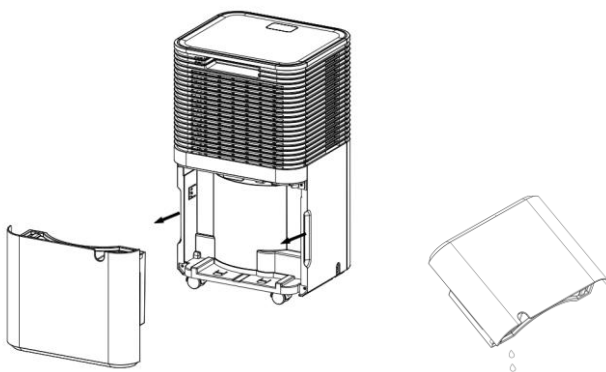
Ambient Humidity > 65% , The light show Red

If the LED display E0、E2、CL、CH、LO、HI, the light will show red.

DRAINAGE:

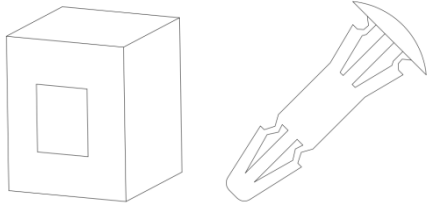
EMPTYING THE WATER TANK

- When the tank is full, The unit will make a buzzing sound, and the "Water Full" light will turn on.
- Press the POWER button to turn off the unit.
- Pull on the water tank and simply slide out of the body of the dehumidifier.
- Empty the water into an area with a drain or outside.
- Clean the inside of the tank as well as the outside.
- Replace the empty tank back into the unit.
- Press the POWER button to resume operating.
- If the Water Full light does not extinguish, check that the float is correctly in place.



Warning

1. Do not discard water tank magnets and plastic rivets. Otherwise, the machine will not automatically stop working when the water tank is full, and the condensed water will overflow and damage the floor of the room.



2. Please be sure to clean the condensed water in the water tank before resetting the working mode of the machine.

3. If the water tank is dirty, rinse it with clean water. Avoid using detergents, steel balls, chemical dust removers, diesel oil, benzene, diluents or other solvents. Otherwise, the water tank will be damaged and leak

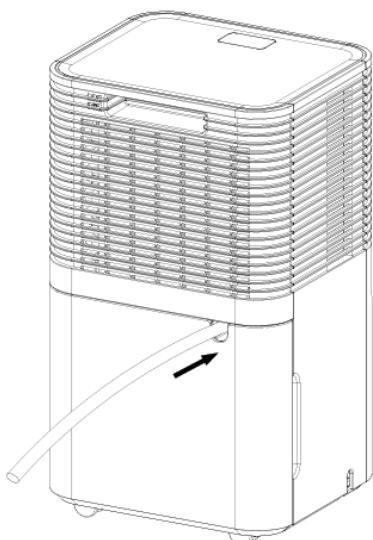
4. Replace the empty tank back into the unit. Otherwise, the water full indicator may remain red and the machine cannot restart.

CONTINUOUS DRAINING

For continuous operation or unattended dehumidification, please connect the attached drain hose to the unit. Condensate water can be automatically flow into a bucket or drain by gravity.

1. Straighten the drainage pipe

2. Insert one end of the drain into the drain into the cistern hole and connect the other end to the bathroom, outdoor or bucket like container, or the prescribed drainage area.





Warning

1. Please do not block the drain or drain pipe, if the phenomenon of blocking, condensed water will flow into the water tank.
2. Please do not bend the drain pipe. The height of the drain pipe should be lower than the outlet.
3. The drain pipe shall be securely connected to the outlet;

MAINTENANCE

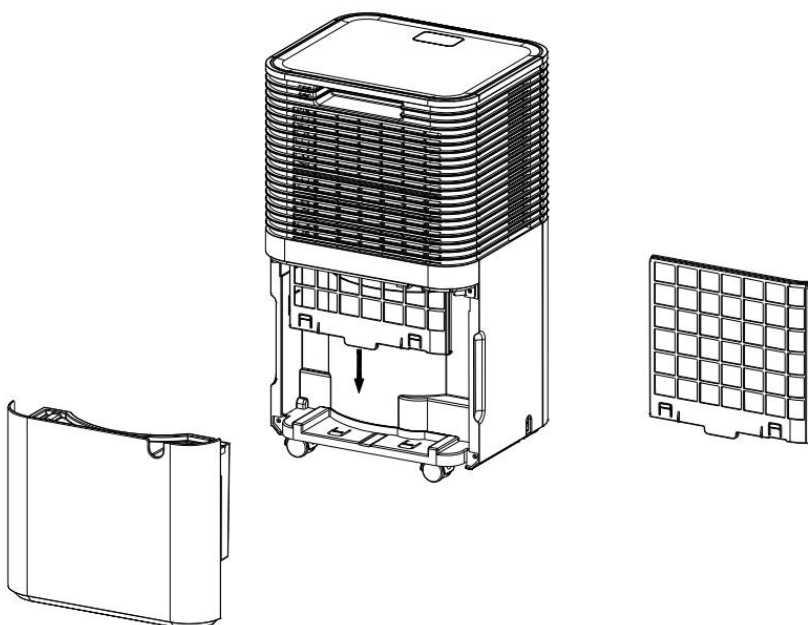
Note: before cleaning and maintaining the machine, be sure to turn off the machine and pull the power plug to prevent electric shock.

• **CLEANING THE AIR FILTER** (every two weeks)

Dust collects on the filter and restricts the airflow. The restricted airflow reduces the efficiency of the system and if it becomes blocked it can cause damage to the unit.

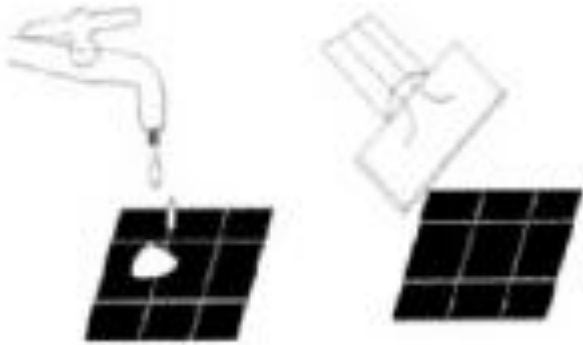
The air filter requires regular cleaning. The air filter is removable for easy cleaning. Do not operate the unit without an air filter, or the evaporator may be contaminated.

1. Take the water tank from the body, and then pull out the filter from the bottom of the rear shell;

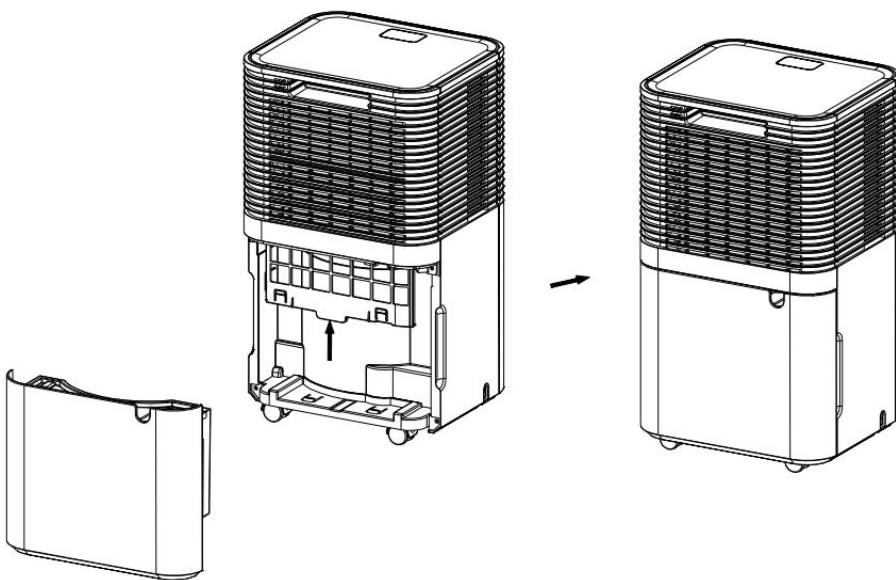


2. Use a vacuum cleaner to gently absorb the dust on the surface.

If the filter is very dirty, wash it with water and a soft detergent and dry it thoroughly afterwards.



3. Put the filter back.



TROUBLE SHOOTING

1. FUNCTIONING TEMP.

$5^{\circ}\text{C} \leq \text{Ambient Temp.} \leq 35^{\circ}\text{C}$

When the ambient temp is lower or higher than the functioning temp, the dehumidifier stops.

When $5^{\circ}\text{C} \leq \text{Ambient temp.} \leq 16^{\circ}\text{C}$, the compressor automatically defrosts at intervals; during defrosting, the compressor stops and the fan keeps running.

2. BEFORE CALLING FOR SERVICE

Before contacting professional service, please review the trouble shooting list that includes common occurrences that are not the result of a defect in workmanship or materials.

Problem	Possible Cause	Solution
Not working	No power supply	Connect to a functioning outlet and switch on
	Water Full Indication Flashes	Drain water tank and reset it, or re-position the water tank to right place
	Room temperature $< 5^{\circ}\text{C}$, or $> 35^{\circ}\text{C}$	Self-Protection designed to protect the unit. Can not work under such temperature
Bad functioning	Is the air filter clogged?	Clean the air filter as instructed
	Is the intake duct or discharge duct obstructed?	Remove the obstruction from the discharge duct or intake duct.
No air intake	Is the filter clogged?	Wash the filter
Loud noise when running	Is the machine put in the plat place?	Put the machine on the plat ground
	Is the filter clogged?	Wash the filter
E2	Humidity sensor problem	Change a sensor
LO	Environmental humidity is below 20%	The dehumidifier shuts down for self-protection
HI	Environmental humidity is above 90%	
CL	Low temperature protection, the environmental temperature $< 5^{\circ}\text{C}$	
CH	High temperature protection, the environmental temperature $> 38^{\circ}\text{C}$	

DECOMMISSIONING

STORAGE

Long-term storage - If you will not be using the unit for an extended period of time (more than a few weeks) it is best to clean the unit and dry it out completely. Please store the unit per the following steps:

1. Press power button to switch off and unplug the unit.
2. Drain the remaining water from the unit.
3. Clean the filter and let the filter dry completely in a shaded area.
4. Collect the power cord at the water tank.
5. Re-install the filter at its position.
6. The unit must be kept in upright position when in storage.
7. Preserving the machine in ventilating, dry, non- corrosive gas and safe place indoor.

ATTENTION:

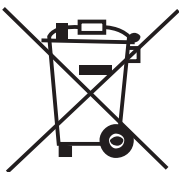
The evaporator inside the machine has to be dried out before the unit is packed to avoid component damage and molds. Unplug the unit and place it in a dry open area for days to dry it out. Another way to dry the unit is to set the humidity point more than 5% higher than the ambient humidity to force the fan to dry the evaporator for a couple of hours.

DISPOSAL

WARNING!!!

Releasing refrigerant into atmosphere is strictly forbidden!

Do not dispose of electrical appliances as unsorted municipal waste, use separate collection facilities. Contact your local government for information regarding the collection systems available. If electrical appliances are disposed of in landfills or dumps, hazardous substances can leak into the groundwater and get into the food chain, damaging your health and well-being



FR_1. AVANT DE COMMENCER





Veillez lire attentivement le mode d'emploi avant d'utiliser votre déshumidificateur pour la première fois.

1.1 DESCRIPTION DU PRODUIT

Le déshumidificateur est un appareil destiné à éliminer l'humidité excessive de l'air. La réduction de l'humidité relative qui en résulte protège les bâtiments et leur contenu des effets néfastes d'une humidité excessive.

Le réfrigérant R290, respectueux de l'environnement, est utilisé. Il ne présente aucune menace pour la couche d'ozone (PDO) et a un effet de serre négligeable (PRG); il est disponible dans le monde entier. En raison de ses propriétés énergétiques efficaces, le R290 convient parfaitement comme réfrigérant pour cette application. En raison de la haute inflammabilité du réfrigérant, des précautions particulières doivent être prises en considération.

SYMBOLES FIGURANT SUR L'APPAREIL ET DANS LE MANUEL UTILISATEUR

 AVERTISSEMENT	Cet appareil utilise un réfrigérant inflammable. Si le réfrigérant présente une fuite et vient en contact avec le feu ou une pièce chauffante, un gaz nocif se dégagera et un incendie risque de se déclarer.
	Veillez lire attentivement le MANUEL UTILISATEUR avant toute opération.
	Des informations complémentaires sont disponibles dans le MANUEL UTILISATEUR, le MANUEL DE SERVICE, etc.
	Le personnel d'entretien est tenu de lire attentivement le MANUEL UTILISATEUR et le MANUEL DE SERVICE avant toute intervention.

1.2 POUR DES RAISONS DE SÉCURITÉ, LES CONSIGNES SUIVANTES DOIVENT TOUJOURS ÊTRE OBSERVÉES

- Cet appareil est destiné à être utilisé par des utilisateurs experts ou formés dans des magasins, dans l'industrie légère et dans les exploitations agricoles, ou à des fins commerciales par des personnes non spécialisées.
- Cet appareil peut être utilisé par des enfants à partir de 8 ans et par des personnes aux capacités physiques, sensorielles ou mentales réduites ou manquant d'expérience et de connaissances, à condition qu'ils bénéficient d'une surveillance ou d'instructions concernant l'utilisation en toute sécurité de l'appareil et qu'ils en comprennent les risques. Les enfants ne doivent pas jouer avec l'appareil. Le nettoyage et l'entretien ne doivent pas être effectués par des enfants laissés sans surveillance.
- L'appareil est conçu uniquement pour être utilisé avec du gaz R-290 (propane) comme réfrigérant désigné
- La boucle de réfrigérant est scellée. Seul un technicien qualifié est habilité à procéder à son entretien!
- Ne pas libérer le réfrigérant dans l'atmosphère.
- Le R-290 (propane) est inflammable et plus lourd que l'air.
- Il s'accumule d'abord dans les zones basses mais peut être mis en circulation par le biais des ventilateurs.
- Si du gaz propane est présent ou même suspecté, il ne faut pas laisser du personnel non qualifié essayer d'en trouver la cause.
- Le propane utilisé dans l'appareil n'a pas d'odeur.
- L'absence d'odeur ne signifie pas qu'il n'y a pas de fuite de gaz.
- Si une fuite est détectée, évacuez immédiatement toutes les personnes du magasin, ventilez la pièce et contactez le service d'incendie local pour les informer qu'une fuite de propane s'est produite.
- Ne laissez personne retourner dans le magasin avant que le technicien qualifié ne soit arrivé et que ce dernier ne vous dise que vous pouvez retourner dans le magasin en toute sécurité
- Aucune flamme nue, cigarette ou autre source d'inflammation ne doit être utilisée à l'intérieur ou à proximité des appareils.
- Les pièces composantes sont conçues de façon à pouvoir fonctionner au propane, sans incitation et

sans étincelle. Les pièces composantes ne doivent être remplacées que par des pièces de réparation identiques.

LE NON-RESPECT DE CETTE MISE EN GARDE PEUT ENTRAÎNER UNE EXPLOSION, DES DOMMAGES MATÉRIELS, DES BLESSURES ET MÊME LA MORT.



2. POUR VOTRE SÉCURITÉ

Votre sécurité constitue notre préoccupation majeure!



Veillez lire attentivement ce manuel et en comprendre parfaitement le contenu avant d'utiliser votre déshumidificateur.

2.1 PRÉCAUTIONS D'UTILISATION

AVERTISSEMENT - pour réduire le risque d'incendie, de choc électrique ou de préjudice matériel ou corporel:

- Le remplacement du cordon d'alimentation endommagé doit être effectué par le fabricant, son agent de service ou des personnes de qualification similaire afin d'éviter tout risque.
- L'appareil doit être débranché de la source d'alimentation pendant l'entretien.
- Toujours faire fonctionner l'appareil à partir d'une source d'alimentation de même tension, fréquence et puissance, comme indiqué sur la plaque d'identification du produit.
- Toujours utiliser une prise de courant mise à la terre.
- Débrancher le cordon d'alimentation lors du nettoyage ou lorsque l'appareil n'est pas utilisé.
- Ne pas manipuler l'appareil avec des mains mouillées. Évitez que l'eau ne pénètre dans l'appareil.
- Ne pas immerger l'appareil ni l'exposer à la pluie, à l'humidité ou à tout autre liquide.
- Ne pas laisser l'appareil en marche sans surveillance. Ne pas incliner ou retourner l'appareil.
- Ne pas débrancher l'appareil en cours de fonctionnement.
- Ne pas tirer sur le cordon d'alimentation pour débrancher l'appareil.

- Ne pas utiliser de rallonge ou d'adaptateur.
- Ne pas poser d'objets sur l'appareil.
- Ne pas monter ou s'asseoir sur l'appareil.
- Ne pas introduire les doigts ou d'autres objets dans la sortie d'air.
- Ne pas toucher l'entrée d'air ou les ailettes en aluminium de l'appareil.
- Ne pas faire fonctionner l'appareil s'il est tombé, endommagé ou s'il présente des signes de dysfonctionnement.
- Ne pas procéder au nettoyage de l'appareil avec des produits chimiques.
- Veillez à ce que l'appareil soit éloigné du feu, d'objets inflammables ou explosifs.
- L'appareil doit être installé conformément aux réglementations nationales en matière de câblage.
- Ne pas recourir à des moyens pour accéder le processus de dégivrage ou pour nettoyer, autres que ceux recommandés par le fabricant.
- L'appareil doit être rangé dans une pièce sans sources de fonctionnement continu (par exemple: flammes nues, appareil à gaz en fonctionnement ou chauffage électrique en fonctionnement).
- L'appareil doit être stocké de manière à éviter tout dommage mécanique.
- Ne pas démonter l'appareil ni le consumer, même après utilisation.
- Notez que les réfrigérants peuvent avoir aucune odeur.
- Les tuyauteries doivent être protégées contre les dommages physiques et ne doivent pas être installées dans un espace non ventilé, si cet espace est inférieur à 4 m².
- Les réglementations nationales en matière de gaz doivent être respectées.
- Veillez à ce que les ouvertures de ventilation nécessaires ne soient pas obstruées.
- L'appareil doit être rangé dans un endroit bien ventilé où la taille de la pièce correspond à la surface spécifiée pour le fonctionnement.



Toute personne intervenant sur ou dans un circuit de réfrigérant doit être titulaire d'un certificat en cours de validité délivré par une autorité d'évaluation accréditée par la profession, qui atteste de sa compétence à manipuler les réfrigérants en toute sécurité, conformément à une spécification d'évaluation reconnue par la profession.



L'entretien doit être effectué uniquement selon les recommandations du fabricant de l'équipement. L'entretien et la réparation nécessitant l'aide d'autres personnes qualifiées doivent être effectués sous la supervision de la personne compétente dans l'utilisation des réfrigérants inflammables.

En cas d'incompréhension ou de besoin d'aide, veuillez contacter les services du revendeur.

2.3 PRÉCAUTIONS DE SÉCURITÉ RELATIVES À L'ENTRETIEN

Veuillez suivre ces avertissements lorsque vous effectuez les opérations suivantes au cours de l'entretien d'un déshumidificateur équipé du R290.

2.2.1 Contrôles de la zone d'intervention

Avant de commencer à travailler sur des systèmes contenant des réfrigérants inflammables, des contrôles de sécurité sont nécessaires pour s'assurer que le risque d'inflammation est réduit au minimum. Pour la réparation du système frigorifique, les précautions suivantes doivent être respectées avant de procéder aux travaux sur le système.

2.2.2 Procédure de travail

Les interventions doivent être effectuées selon une procédure contrôlée de manière à réduire au minimum le risque de présence de gaz ou de vapeur inflammable pendant l'exécution des tâches.

2.2.3 Zone de travail générale

Tout le personnel de maintenance et les autres personnes travaillant dans la zone locale doivent être informés de la nature du travail effectué. Toute intervention dans des espaces confinés doit être évitée. La zone autour de l'espace de travail doit être isolée. Assurez-vous que les conditions à l'intérieur de la zone ont été rendues sûres par le contrôle des matériaux inflammables.

2.2.4 Vérification de la présence de réfrigérant

L'espace doit être vérifié à l'aide d'un détecteur de réfrigérant approprié avant et pendant le travail, afin de s'assurer que le technicien est conscient des atmosphères potentiellement inflammables. Assurez-vous que l'équipement de détection des fuites utilisé est adapté à l'utilisation de réfrigérants inflammables, c'est-à-dire qu'il ne produit pas d'étincelles, qu'il est correctement scellé ou qu'il est intrinsèquement fiable.

2.2.5 Disponibilité d'un extincteur d'incendie

Si une intervention par le feu doit être effectuée sur l'équipement de réfrigération ou sur toute pièce associée, un équipement d'extinction d'incendie approprié doit être disponible à portée de main. Disposer d'un extincteur à poudre ou à CO₂ à proximité de la zone de chargement.

2.2.6 Absence de sources d'inflammation

Quiconque intervient sur un système de réfrigération qui implique l'exposition à un tuyau contenant ou ayant contenu un fluide frigorigène inflammable ne doit pas utiliser de sources d'inflammation susceptibles d'entraîner un risque d'incendie ou d'explosion. Toutes les sources d'inflammation possibles, y compris la cigarette, doivent être maintenues suffisamment éloignées du lieu d'installation, de réparation, de démontage et d'élimination, au cours desquelles du réfrigérant inflammable peut éventuellement être libéré dans l'espace environnant. Avant toute intervention, la zone autour de l'équipement doit être inspectée pour s'assurer qu'il n'y a pas de dangers inflammables ou de risques d'inflammation. Des panneaux "DÉFENSE DE FUMER" doivent être installés.

2.2.7 Zone ventilée

Assurez-vous que le site est à l'air libre ou qu'il est correctement ventilé avant d'intervenir dans le système ou d'effectuer toute intervention nécessitant le feu. Un certain degré de ventilation doit être maintenu pendant la durée du travail. La ventilation doit permettre de disperser en toute sécurité tout fluide frigorigène libéré et, de préférence, de l'expulser dans l'atmosphère.

2.2.8 Contrôles de l'équipement frigorifique

Lorsque des composants électriques sont remplacés, ils doivent être adaptés à l'usage prévu et conformes aux spécifications. Les directives d'entretien et de service du fabricant doivent être respectées à tout moment. En cas de doute, consultez le service technique du fabricant pour obtenir de l'aide.

Les contrôles suivants doivent être appliqués aux installations utilisant des réfrigérants inflammables:

- La taille de la charge est conforme à la taille de la pièce dans laquelle les pièces contenant le réfrigérant sont installés;
- Les machines et les sorties de ventilation fonctionnent correctement et ne sont pas obstrués;
- Si un circuit frigorifique indirect est utilisé la présence de fluide frigorigène dans le circuit secondaire doit être vérifié;
- Le marquage de l'équipement reste visible et lisible. Les marquages et les signes illisibles doivent être corrigés;
- La tuyauterie ou les composants frigorifiques sont installés dans une position où ils ne risquent pas d'être exposés à une substance susceptible de corroder les composants contenant du réfrigérant, à moins que les composants ne soient construits dans des matériaux intrinsèquement résistants à la corrosion ou qu'ils soient convenablement protégés contre une telle corrosion.

2.2.9 Contrôles des dispositifs électriques

La réparation et l'entretien des composants électriques doivent comprendre le contrôle initial de la sécurité et les procédures d'inspection des composants. S'il existe un défaut susceptible de compromettre la sécurité, aucune alimentation électrique ne doit être connectée au circuit tant que le problème n'a pas été résolu de manière satisfaisante. Si le défaut ne peut être corrigé immédiatement mais qu'il est

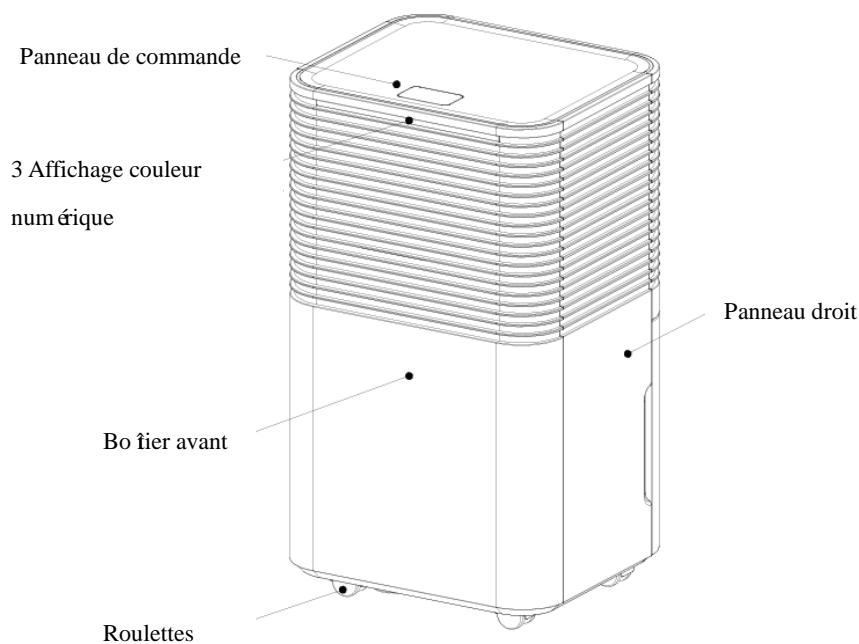
n écessaire de poursuivre l'exploitation, une solution temporaire ad équate doit être utilis ée. Cette solution doit être signal ée au propri étaire de l' équipement afin que toutes les parties soient inform ées.

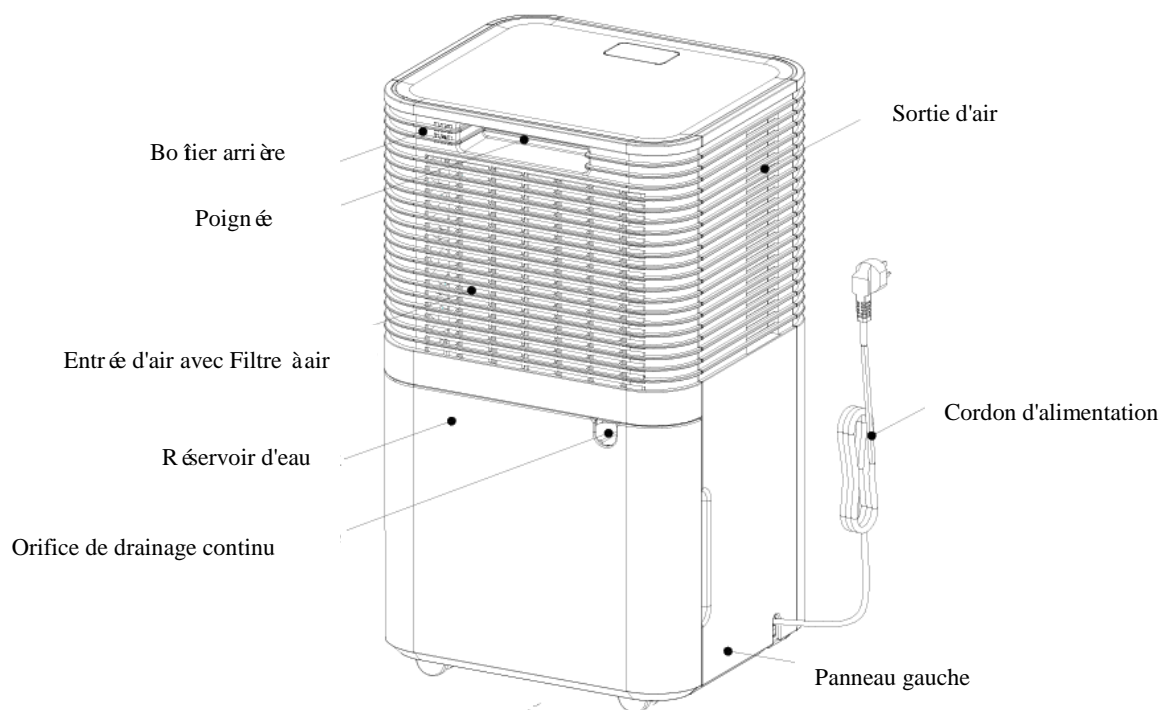
Le contr ôle initial de s écurit é doit porter sur les points suivants:

- Que les condensateurs sont d écharg és : ceci doit être fait de mani ère s ûre pour é viter toute possibilit é d' é tincelle;
- Qu'aucun composant et c âblage é lectrique sous tension n'est expos é pendant la charge, la r écup ération ou la purge du syst ème;
- Qu'il y a continuit é de la mise à la terre

3. APERÇU DU PRODUIT

3.2 APERÇU DU PRODUIT

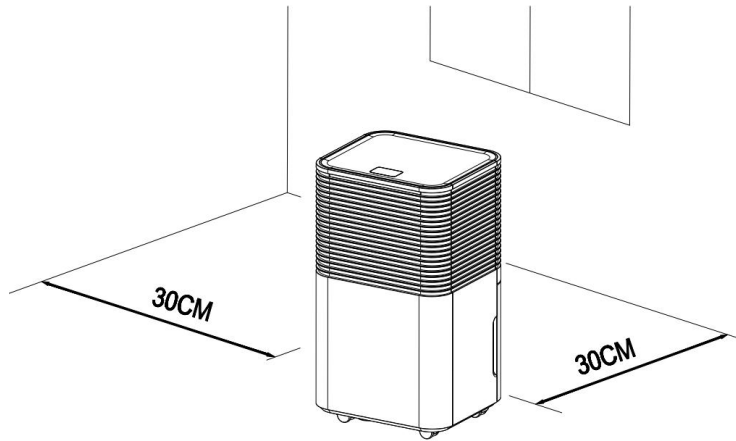




4. INSTALLATION

4.1 EMBLACEMENT

3. Disposer l'appareil sur une surface ferme et plane, dans un endroit où il y a au moins 30 cm d'espace libre autour de lui pour permettre une bonne circulation de l'air.
4. Ne jamais installer l'appareil là où il pourrait être soumis à
 - Des sources de chaleur telles que des radiateurs, des bouches de chaleur, des poêles ou d'autres produits qui produisent de la chaleur.
 - Dans une zone où de l'huile ou de l'eau pourraient être projetés.
 - La lumière directe du soleil
 - Des vibrations ou des chocs mécaniques
 - Poussière excessive
 - Manque de ventilation, comme une armoire ou une bibliothèque
 - Surface inégale



AVERTISSEMENT

Installer l'appareil dans des pièces de plus de 4 m²

Ne pas installer l'unité dans un endroit où peuvent s'échapper des gaz inflammables.



REMARQUE

Le fabricant pourrait vous proposer un autre exemple approprié ou vous fournir des informations supplémentaires sur l'odeur du réfrigérant.

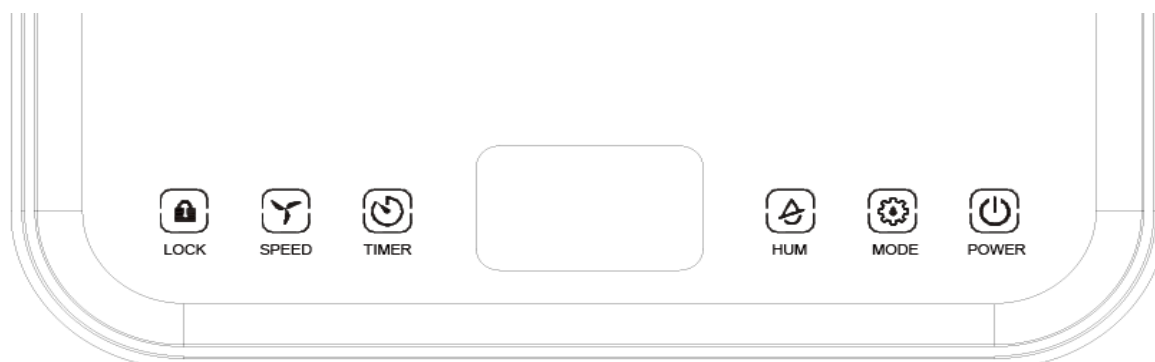
4.2 UTILISATION EN TOUTE SÉCURITÉ DE L'APPAREIL

- Inspecter l'appareil après son déballage pour vérifier qu'il n'est pas endommagé ou rayé
- Faire fonctionner cet appareil dans un environnement dont la température ambiante est comprise entre 5 °C et 35 °C.
- Ne pas l'utiliser à l'extérieur. Ce déshumidificateur est destiné à des applications résidentielles intérieures uniquement.
- Ne pas faire fonctionner l'appareil à proximité de murs, de rideaux ou d'autres objets qui pourraient bloquer l'entrée et la sortie d'air.
- Garder l'entrée et la sortie d'air libres de tout obstacle.
- Régler le déflecteur de vent vers le haut avant la mise en marche.
- Laisser l'appareil reposer à la verticale pendant au moins 24 heures avant de le mettre en marche s'il a été incliné de plus de 45 °.
- Garder les portes et les fenêtres fermées pour économiser l'énergie.

- Ne pas faire fonctionner l'appareil ou le ranger exposé à la lumière directe du soleil ou à la pluie.
- Il est normal que la sortie d'air soit chaude au toucher après un fonctionnement continu pendant les journées chaudes.
- Vider le réservoir d'eau avant de déplacer l'appareil.
- Assurez-vous que le réservoir d'eau est correctement installé, sinon l'appareil ne fonctionnera pas correctement.
- Le déshumidificateur démarre dans le mode sélectionné lors de la dernière utilisation de l'appareil.
- Le déshumidificateur commence à déshumidifier si l'humidité de la pièce est supérieure de 3 % au taux d'humidité sélectionné.
- Le compresseur est protégé par une temporisation de 3 minutes. Attendez 3 minutes pour que le déshumidificateur reprenne la déshumidification.

5. FONCTIONNEMENT

5.1 PANNEAU DE COMMANDE



POWER

Après la mise sous tension, tous les indicateurs et l'écran s'allument pendant une seconde, puis s'éteignent. Un signal sonore est émis, l'indicateur d'alimentation s'allume et la machine se met en mode veille.

Appuyez sur cette touche, la machine commence à fonctionner, l'humidité de démarrage est de 60% HR, en mode automatique par défaut et par grand vent.

Appuyez à nouveau sur cette touche, la machine s'arrête de fonctionner, et le ventilateur s'éteint.



MODE

Le cycle de fonctionnement est le suivant: Mode Auto - Mode Déshumidification continue - Mode Veille. Appuyer chaque fois pour alterner entre les trois modes, l'indicateur correspondant s'allume.

- **Mode Auto:** Lorsque l'humidité ambiante \geq l'humidité réglée +3%, le ventilateur commence à fonctionner et le compresseur commence à fonctionner au bout de 3 secondes.

Lorsque l'humidité ambiante \leq l'humidité réglée -3%, le compresseur cesse de fonctionner ainsi que le ventilateur quelques secondes après.

La vitesse du ventilateur et l'humidité peuvent toutes deux être réglées en mode automatique.

- **Mode Déshumidification continue:** La machine continue de fonctionner, mais l'humidité ne peut pas être ajustée.

- **Mode Veille:** Appuyez le bouton de veille, le bouton s'allume et lance la fonction de veille. Si aucune opération n'est effectuée pendant 10 secondes, tous les indicateurs faiblissent progressivement et la vitesse du ventilateur passe automatiquement de élevée à faible. Touchez n'importe quel bouton pour réveiller l'indicateur. Touchez à nouveau le bouton de veille pour quitter le mode veille.

En mode veille, le code d'erreur n'est pas affiché la vitesse du ventilateur n'est pas réglable ; l'humidité est réglable.



HUM

En mode automatique ou en mode veille, vous pouvez utiliser cette touche pour régler l'humidité de consigne: chaque fois que vous appuyez sur cette touche, l'humidité de consigne augmente de 5%, selon le cycle 30%-80%.

Appuyez longuement sur cette touche pour afficher la température actuelle de la pièce, le double huit affiche la température actuelle de la pièce 5 secondes après le retour automatique pour afficher l'humidité actuelle. Si vous appuyez longtemps sur cette touche, la température ambiante s'affiche.



TIMER

Appuyez sur cette touche pour définir la minuterie de 0 à 24 heures. L'intervalle est de 1 heure. Chaque fois que vous appuyez sur cette touche, la valeur augmente de 1 heure et la valeur horaire correspondante s'affiche à l'écran. Pour annuler la fonction de minuterie, la valeur est réglée sur "00". L'indicateur s'éteint. Une fois la minuterie réglée, l'indicateur reste allumé pendant la période de minutage et s'éteint automatiquement à la fin de la période programmée.

L'heure d'arrêt de la machine est réglée lorsque la machine est en marche; et en état de veille, vous pouvez régler l'heure de mise en marche de la machine.



SPEED

La vitesse du ventilateur ne peut être réglée qu'en mode automatique. Appuyez sur cette touche pour passer de la vitesse élevée à la vitesse faible. L'indicateur de vitesse du ventilateur correspondant s'allume.



LOCK

Appuyez longuement sur cette touche pour activer la fonction de sécurité enfants. L'indicateur de la sécurité enfant s'allume. Toutes les touches sont verrouillées et ne peuvent pas être utilisées. Appuyez à nouveau sur cette touche, le voyant s'éteint et la touche est rétablie.

La fonction de verrouillage des enfants reste activée tant que l'arrêt ou la mise hors tension de l'appareil l'annule automatiquement.

3 Affichage Numérique Couleur:

Humidité ambiante < 45%, L'indicateur lumineux est Bleu.

45 ≤ Humidité ambiante ≤ 65%, L'indicateur lumineux est Vert.

Humidité ambiante > 65%, L'indicateur lumineux est Rouge.

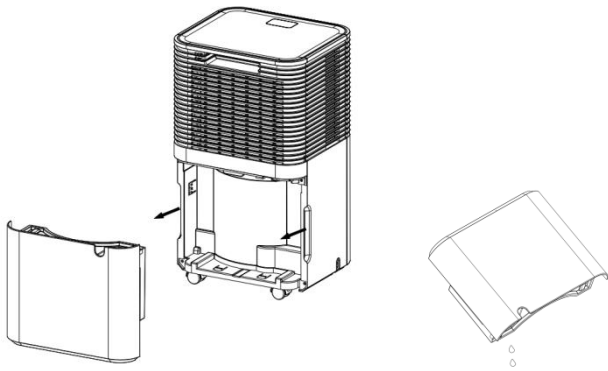
Si l'écran LED affiche E0、E2、CL、CH、LO、HI, l'indicateur lumineux est rouge.

DRAINAGE:

VIDANGE DU RÉSERVOIR D'EAU

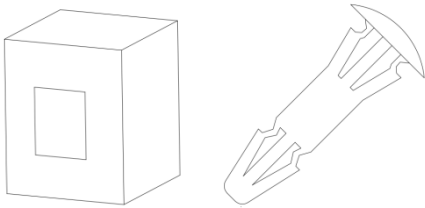
- Lorsque le réservoir est plein, l'appareil émet un bourdonnement et le voyant "Eau Pleine" s'allume.
- Appuyez sur le bouton POWER pour éteindre l'appareil.
- Tirez sur le réservoir d'eau et faites-le simplement glisser hors du corps du déshumidificateur.
- Videz l'eau dans un endroit doté d'un drain ou à l'extérieur.
- Nettoyez l'intérieur du réservoir ainsi que l'extérieur.
- Remettez le réservoir vide dans l'appareil.
- Appuyez sur le bouton POWER pour reprendre le fonctionnement.

- Si l'indicateur "Eau Pleine" ne s'éteint pas, vérifiez que le flotteur est bien en place.



AVERTISSEMENT

5. Ne jetez pas les aimants du réservoir d'eau et les rivets en plastique. Sinon, la machine ne s'arrêtera pas automatiquement lorsque le réservoir d'eau sera plein, et l'eau condensée débordera et endommagera le sol de la pièce.



6. Veillez à nettoyer l'eau condensée dans le réservoir d'eau avant de réinitialiser le mode de fonctionnement de la machine.

7. Si le réservoir d'eau est sale, rincez-le à l'eau claire. Évitez d'utiliser des détergents, des billes d'acier, des dépolluants chimiques, du gazole, du benzène, des diluants ou d'autres solvants. Sinon, le réservoir d'eau sera endommagé et produira des fuites.

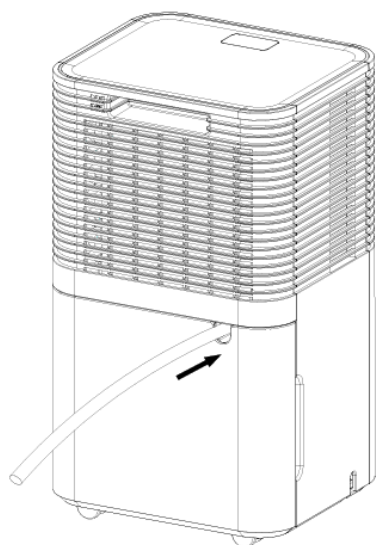
8. Remplacez le réservoir vide dans l'appareil. Sinon, l'indicateur d'eau pleine restera rouge et la machine ne va pas redémarrer.

VIDANGE CONTINUE

Pour un fonctionnement continu ou une déshumidification sans assistance, veuillez connecter le tuyau de vidange joint à l'unité. L'eau condensée pourra s'écouler automatiquement dans un seau ou être évacuée par gravité.

1. Redressez le tuyau de drainage
2. Insérez une extrémité du tuyau de drainage dans le trou de la citerne et raccordez l'autre extrémité à la

salle de bain, à l'extérieur ou à un récipient de type seau, ou à la zone de drainage indiquée.



AVERTISSEMENT

4. Veuillez ne pas bloquer le drain ou le tuyau de drainage, en cas de blocage, l'eau condensée s'écoulera dans le réservoir d'eau.
5. Ne pliez pas le tuyau d'évacuation. La hauteur du tuyau d'évacuation doit être inférieure à celle de la sortie.
6. Le tuyau de vidange doit être solidement raccordé à la sortie.

MAINTENANCE

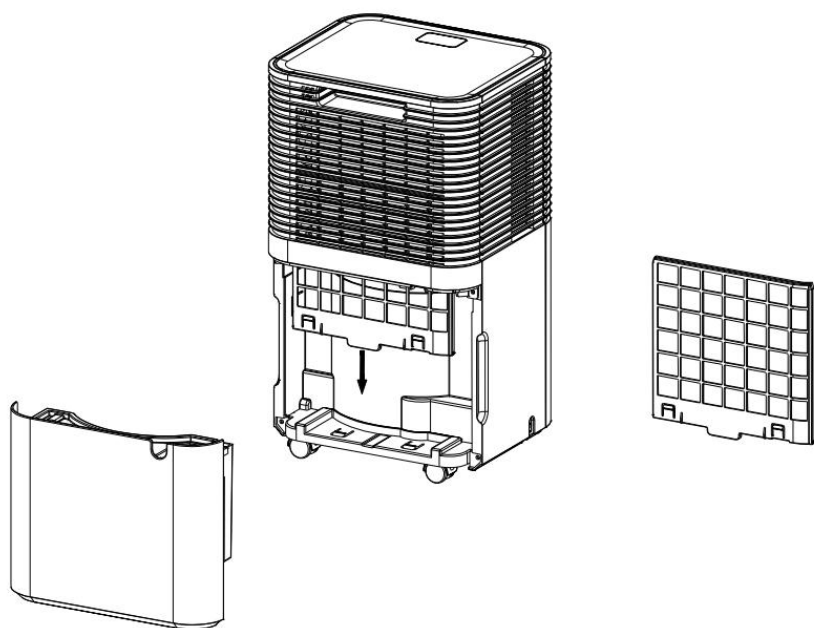
Remarque: Avant de procéder au nettoyage et à l'entretien de la machine, assurez-vous d'éteindre la machine et de débrancher la fiche d'alimentation afin d'éviter tout choc électrique.

- **NETTOYAGE DU FILTRE À AIR** (toutes les deux semaines)

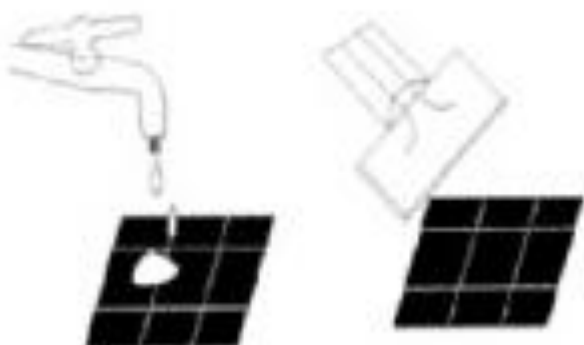
La poussière s'accumule sur le filtre et restreint la circulation de l'air. Cette restriction affecte l'efficacité du système et, si le filtre se bouche, il peut endommager l'appareil.

Le filtre à air doit être nettoyé régulièrement. Le filtre à air est amovible pour un nettoyage facile. Ne faites pas fonctionner l'unité sans filtre à air, car l'évaporateur pourrait être contaminé

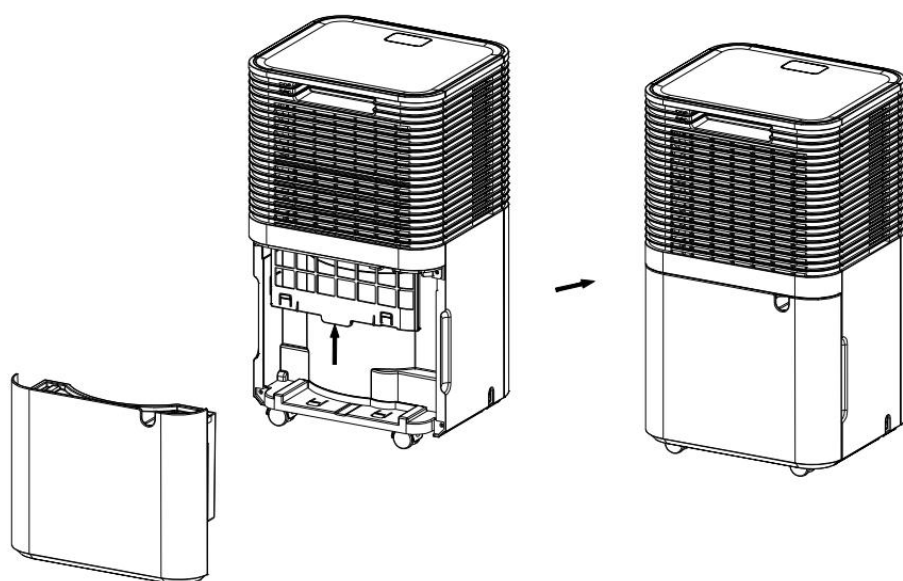
1. Retirez le réservoir d'eau du corps, puis retirez le filtre du bas de la coque arrière;



2. Utilisez un aspirateur pour absorber délicatement la poussière sur la surface.
Si le filtre est très sale, lavez-le avec de l'eau et un détergent doux, puis séchez-le soigneusement.



3. Remettez le filtre en place.



DÉPANNAGE

2. TEMPÉRATURE DE FONCTIONNEMENT

$5^{\circ}\text{C} \leq \text{Température ambiante} \leq 35^{\circ}\text{C}$

Lorsque la température ambiante est inférieure ou supérieure à la température de fonctionnement, le déshumidificateur s'arrête.

Lorsque $5^{\circ}\text{C} \leq \text{Température ambiante} \leq 16^{\circ}\text{C}$, le compresseur dégivre automatiquement à intervalles; pendant le dégivrage, le compresseur s'arrête mais le ventilateur continue de fonctionner.

2. AVANT DE FAIRE APPEL AU SERVICE

Avant de contacter un service professionnel, veuillez examiner la liste de dépannage qui comprend les situations courantes qui se présentent et qui ne résultent pas d'un défaut de fabrication ou de matériaux.

Problème	Cause Possible	Solution
Ne fonctionne pas	Pas d'alimentation électrique	Branchez-le à une prise de courant en état de marche et mettez-le en marche.
	L'indication d'eau pleine clignote	Vidangez le réservoir d'eau et remettez-le en place, ou remplacez le réservoir d'eau au bon endroit.
	Température ambiante $< 5^{\circ}\text{C}$, ou $> 35^{\circ}\text{C}$	L'auto-protection est conçue pour protéger l'appareil. Ne peut pas fonctionner sous une telle température
Mauvais	Le filtre à air est-il obstrué?	Nettoyez le filtre à air en suivant les

fonctionnement		instructions.
	Le conduit d'admission ou le conduit d'évacuation est-il obstrué?	Retirez l'obstruction du conduit d'admission ou le conduit d'évacuation.
Pas d'entrée d'air	Le filtre est-il obstrué?	Lavez le filtre
Bruit important lors du fonctionnement	La machine est-elle posée sur une surface plane?	Posez la machine sur le sol plat
	Le filtre est-il obstrué?	Laver le filtre
E2	Problème de capteur d'humidité	Remplacer un capteur
LO	L'humidité ambiante est inférieure à 20%.	Le déshumidificateur s'arrête pour se protéger.
HI	L'humidité ambiante est supérieure à 90%.	
CL	Protection contre les basses températures, la température ambiante est de $< 5^{\circ}\text{C}$.	
CH	Protection contre les hautes températures, la température ambiante $> 38^{\circ}\text{C}$	

MISE HORS SERVICE

RANGEMENT

Rangement à long terme - Si vous n'utilisez pas l'appareil pendant une période prolongée (plus de quelques semaines), il est préférable de nettoyer l'appareil et de le laisser sécher complètement.

Veuillez ranger l'appareil en suivant les étapes suivantes:

8. Débranchez l'appareil.
9. Videz le réservoir d'eau et séchez-le avec un chiffon.
10. Nettoyez le filtre et laissez-le sécher complètement à l'ombre.
11. Récupérez le cordon d'alimentation au niveau du réservoir et réinstallez-le.
12. Réinstallez le filtre à l'endroit indiqué
13. Gardez la machine dans un endroit ventilé sec, sans gaz corrosif et sûr à l'intérieur.
14. L'appareil doit être maintenu en position verticale même lorsqu'il est en rangement.

ATTENTION:

L'évaporateur à l'intérieur de la machine doit être entièrement séché avant l'emballage de l'unité pour éviter d'endommager les composants et les moisissures. Débranchez l'appareil et placez-le dans un endroit

sec et ouvert pendant plusieurs jours pour le sécher. Une autre façon de sécher l'unité est de régler le point d'humidité à plus de 5 % au-dessus de l'humidité ambiante pour forcer le ventilateur à sécher l'évaporateur pendant quelques heures.

MISE AU REBUT

AVERTISSEMENT!!!

Le rejet de réfrigérant dans l'atmosphère est strictement interdit!

Ne pas jeter les appareils électriques avec les déchets municipaux non triés, utiliser les installations de collecte sélective. Contactez votre administration locale pour obtenir des informations sur les systèmes de collecte disponibles. Si les appareils électriques sont mis au rebut dans des décharges, des substances dangereuses peuvent s'infiltrer dans les eaux souterraines et entrer dans la chaîne alimentaire, nuisant ainsi à votre santé et à votre bien-être.



DE_1. BEVOR SIE BEGINNEN





Bitte lesen Sie die Bedienungsanleitung sorgfältig durch, bevor Sie Ihren Luftentfeuchter zum ersten Mal verwenden.

1.1 PRODUKTBEZEICHNUNG

Der Luftentfeuchter dient dazu, überschüssige Feuchtigkeit aus der Luft zu entfernen. Die daraus resultierende Reduzierung der relativen Luftfeuchtigkeit schützt Gebäude und Einrichtungen vor den negativen Auswirkungen von zu hoher Luftfeuchtigkeit.

Als Kältemittel wird das umweltfreundliche R290 verwendet. R290 hat keinen schädlichen Einfluss auf die Ozonschicht (ODP), einen vernachlässigbaren Treibhauseffekt (GWP) und ist weltweit verfügbar. Aufgrund seiner effizienten energetischen Eigenschaften ist R290 als Kältemittel für diese Anwendung sehr gut geeignet. Aufgrund der hohen Entflammbarkeit des Kühlmittels sind besondere Vorsichtsmaßnahmen zu beachten.

SYMBOLE AUF DEM GERÄT UND IM BENUTZERHANDBUCH

 Warnung	In diesem Gerät wird ein entflammbares Kältemittel verwendet. Wenn Kältemittel ausläuft und mit einem Feuer oder einem Heizelement in Berührung kommt, entstehen schädliche Gase und es besteht Brandgefahr.
	Lesen Sie das BENUTZERHANDBUCH vor der Verwendung sorgfältig durch.
	Weitere Informationen finden Sie im BENUTZERHANDBUCH, dem SERVICEHANDBUCH und ähnlichen Dokumenten.
	Das Servicepersonal muss das BENUTZERHANDBUCH und das SERVICEHANDBUCH vor der Inbetriebnahme sorgfältig lesen.

1.2 ZUR SICHERHEIT SOLLTE FOLGENDES IMMER BEACHTET WERDEN

- Dieses Ger ä t ist für die Verwendung durch fachkundige oder geschulte Benutzer in Gesch ä ften, in der Leichtindustrie und in landwirtschaftlichen Betrieben oder für die gewerbliche Verwendung durch Nichtfachleute vorgesehen.
- Dieses Ger ä t kann von Kindern ab 8 Jahren und darüber, sowie von Personen mit verringerten physischen, sensorischen oder mentalen F ä higkeiten oder Mangel an Erfahrung und Wissen benutzt werden, wenn sie beaufsichtigt oder bezüglich des sicheren Gebrauchs des Ger ä ts unterwiesen wurden und die daraus entstehenden Gefahren verstehen. Kinder d ürfen nicht mit dem Ger ä t spielen. Die Reinigung und Wartung darf nicht von Kindern ohne Aufsicht durchgef ührt werden.
- Das Ger ä t ist nur für den Betrieb mit R-290 (Propan)-Gas als K ä ltemittel vorgesehen.
- Der K ä ltemittelkreislauf ist versiegelt. Nur ein qualifizierter Techniker sollte die Wartung unternehmen!
- Lassen Sie das K ä ltemittel nicht in die Atmosph ä re ab.
- R-290 (Propan) ist brennbar und schwerer als Luft.
- Es sammelt sich zuerst in niedrigen Bereichen, kann aber von den Ventilatoren umgew ä lzt werden.
- Wenn Propangas vorhanden ist oder auch nur vermutet wird, lassen Sie nicht zu, dass ungeschultes Personal versucht, die Ursache zu finden.
- Das im Ger ä t verwendete Propangas ist geruchslos.
- Das Fehlen von Geruch bedeutet nicht, dass kein Gas ausgetreten ist.
- Wenn ein Leck entdeckt wird, evakuieren Sie sofort alle Personen aus dem Laden, lüften Sie den Raum und verst ä ndigen Sie die örtliche Feuerwehr, um sie über das Auftreten eines Propangaslecks zu informieren.
- Lassen Sie keine Personen wieder in den Raum, bevor der qualifizierte Servicetechniker eingetroffen ist und dieser mitteilt, dass es sicher ist, in den Laden zur ückzukehren.
- Im Inneren oder in der N ä he der Ger ä te sollten keine offenen Flammen, Zigaretten oder andere mögliche Zündquellen verwendet werden.
- Die Bauteile sind für Propan ausgelegt und nicht entz ündlich und nicht funkenbildend. Bauteile d ürfen nur durch identische Reparaturteile ersetzt werden.

DIE NICHTBEACHTUNG DIESER WARNHINWEISE KANN ZU EXPLOSIONEN, TOD, VERLETZUNGEN UND SACHSCHÄDEN FÜHREN.



2. ZU IHRER SICHERHEIT

Ihre Sicherheit ist uns Wichtig!



Bitte lesen Sie dieses Handbuch sorgfältig durch und machen Sie sich mit ihm vertraut, bevor Sie Ihren Luftentfeuchter in Betrieb nehmen.

2.1 BETRIEBLICHE VORSICHTSMASSNAHMEN

WARNUNG - Um das Risiko eines Brandes, eines Stromschlags oder einer Verletzung von Personen oder Sachschäden zu verringern, beachten Sie folgende Punkte:

- Wenn das Netzkabel beschädigt ist, muss es durch den Hersteller, seinen Kundendienst oder ähnlich qualifizierte Personen ersetzt werden, um eine Gefährdung zu vermeiden.
- Das Gerät muss während der Wartung von der Stromquelle getrennt werden.
- Betreiben Sie das Gerät immer an einer Stromquelle mit gleicher Spannung, Frequenz und Leistung wie auf dem Typenschild des Geräts angegeben.
- Verwenden Sie immer eine geerdete Steckdose.
- Ziehen Sie das Stromkabel, wenn Sie es reinigen oder wenn es nicht benutzt wird.
- Nicht mit nassen Händen betreiben. Verhindern Sie, dass Wasser auf das Gerät gelangt.
- Tauchen Sie das Gerät nicht in Wasser, Feuchtigkeit oder andere Flüssigkeiten und setzen Sie es nicht diesen aus.
- Lassen Sie das Gerät nicht unbeaufsichtigt laufen. Kippen oder drehen Sie das Gerät nicht um.
- Ziehen Sie den Stecker nicht aus der Steckdose, während das Gerät in Betrieb ist.
- Ziehen Sie nicht am Stromkabel, um den Netzstecker zu ziehen.
- Verwenden Sie kein Verlängerungskabel oder einen Zwischenstecker.
- Stellen Sie keine Gegenstände auf das Gerät.
- Klettern oder setzen Sie sich nicht auf das Gerät.
- Stecken Sie keine Finger oder andere Gegenstände in den Luftauslass.
- Berühren Sie nicht den Lufteinlass oder die Aluminiumrippen des Geräts.
- Betreiben Sie das Gerät nicht, wenn es heruntergefallen oder beschädigt ist oder Anzeichen einer Fehlfunktion des Produkts aufweist.
- Reinigen Sie das Gerät nicht mit irgendwelchen Chemikalien.

- Stellen Sie sicher, dass das Ger ät weit entfernt von Feuer, brennbaren oder explosiven Gegenst änden steht.
- Das Ger ät muss in Übereinstimmung mit den nationalen Verkabelungsvorschriften installiert werden.
- Verwenden Sie keine anderen als die vom Hersteller empfohlenen Mittel zur Beschleunigung des Abtauvorgangs oder zur Reinigung.
- Das Ger ät muss in einem Raum aufbewahrt werden, in dem es keine st ändigen Betriebsquellen gibt (z. B. offene Flammen, ein in Betrieb befindliches Gasger ät oder ein in Betrieb befindliches elektrisches Heizger ät).
- Das Ger ät muss so gelagert werden, dass mechanische Besch ädigungen vermieden werden.
- Auch nach dem Gebrauch darf es nicht zerteilt oder verbrannt werden.
- Beachten Sie, dass K ätemittel m öglicherweise keinen Geruch aufweisen.
- Die Rohrleitungen müssen vor physischer Besch ädigung gesch ützt werden und dürfen nicht in unbel üfteten R äumen installiert werden, wenn diese kleiner als 4 m² sind.
- Die nationalen Gasvorschriften sind zu beachten.
- Halten Sie die erforderlichen L üftungs öffnungen frei von Hindernissen.
- Das Ger ät muss in einem gut bel üfteten Bereich gelagert werden, dessen Raumgr ö ße der für den Betrieb angegebenen Raumfl äche entspricht.



Jede Person, die an einem K ätemittelkreislauf arbeitet oder in diesen unterbricht, sollte im Besitz eines gültigen Zertifikats einer von der Industrie anerkannten Prüf stelle sein, dass ihre Kompetenz zum sicheren Umgang mit K ätemitteln gem ä ß einer von der Industrie anerkannten Pr üf spezifikation best ätigt.



Wartungsarbeiten dürfen nur nach den Empfehlungen des Ger äeherstellers durchgef ührt werden. Wartungs- und Reparaturarbeiten, die die Hilfe anderer Fachkr äfte erfordern, müssen unter der Aufsicht der mit dem Umgang mit brennbaren K ätemitteln kompetenten Person durchgef ührt werden.

Wenn Sie etwas nicht verstehen oder Hilfe ben ötigen, wenden Sie sich bitte an den H ändlerservice.

2.4 SICHERHEITSVORKEHRUNGEN BEI DER WARTUNG

Bitte beachten Sie diese Warnhinweise, wenn Sie bei der Wartung eines Luftentfeuchters mit R290 die folgenden Arbeiten durchführen.

2.2.1 Umgebungskontrollen

Vor dem Beginn von Arbeiten an Systemen, die entflammbare Kältemittel enthalten, sind Sicherheitskontrollen erforderlich, um sicherzustellen, dass das Risiko einer Entzündung minimiert wird. Bei Reparaturen an der Kälteanlage sind vor der Durchführung von Arbeiten an der Anlage die folgenden Vorsichtsmaßnahmen zu beachten.

2.2.2 Arbeitsverfahren

Die Arbeiten sind nach einem kontrollierten Verfahren durchzuführen, so dass die Gefahr brennbarer Gase oder Dämpfe während der Durchführung der Arbeiten auf ein Mindestmaß reduziert wird.

2.2.3 Allgemeiner Arbeitsbereich

Das gesamte Wartungspersonal und andere Personen, die in der Nähe arbeiten, müssen über die Art der durchzuführenden Arbeiten unterrichtet werden. Arbeiten in beengten Räumen sind zu vermeiden. Der Bereich um den Arbeitsbereich muss abgesperrt werden. Stellen Sie sicher, dass die Bedingungen in dem Bereich durch die Kontrolle von brennbarem Material gesichert wurden.

2.2.4 Kontrollen auf Vorhandensein von Kältemittel

Der Bereich muss vor und während der Arbeiten mit einem geeigneten Kältemittel-Detektor geprüft werden, um sicherzustellen, dass der Techniker sich potenziell entflammbare Luftgemische bewusst ist. Stellen Sie sicher, dass das verwendete Lecksuchgerät für den Einsatz mit brennbaren Kältemitteln geeignet ist, d.h. keine Funken bildet, ausreichend abgedichtet oder eigensicher ist.

2.2.5 Vorhandensein eines Feuerlöschers

Wenn Heiarbeiten an der Kältemaschine oder an zugehörigen Teilen durchgeführt werden sollen, müssen geeignete Feuerlöschgeräte zur Verfügung stehen. Ein Trockenpulver- oder CO₂-Feuerlöscher ist in der Nähe des Arbeitsbereichs bereitzuhalten.

2.2.6 Keine Zündquellen

Niemand, der Arbeiten an einer Kälteanlage durchführt, bei denen Rohrleitungen freigelegt werden, die brennbares Kältemittel enthalten oder enthalten haben, darf Zündquellen in einer Weise verwenden, die zu einer Brand- oder Explosionsgefahr führen kann. Alle möglichen Zündquellen, einschließlich Rauchen von Zigaretten, sind in ausreichendem Abstand vom Ort der Installation, der Reparatur, des Ausbaus und der Entsorgung zu halten, bei denen möglicherweise brennbares Kältemittel in den umgebenden Raum freigesetzt werden kann. Vor Beginn der Arbeiten ist die Umgebung des Geräts zu untersuchen, um

sicherzustellen, dass keine brennbaren Gefahren oder Zündgefahren vorhanden sind. Es sind „Rauchverbot“-Schilder anzubringen.

2.2.7 Belüfteter Bereich

Stellen Sie sicher, dass der Bereich im Freien liegt oder ausreichend belüftet ist, bevor Sie das System unterbrechen oder Heiarbeiten durchfhren. Ein gewisses Ma an Belftung muss whrend der Durchfhrung der Arbeiten aufrechterhalten werden. Die Belftung sollte freigesetztes Ktemittel sicher verteilen und vorzugsweise nach auen in die Atmosphre ableiten.

2.2.8 Kontrollen an der Ktemaschine

Wenn elektrische Bauteile ausgetauscht werden, mssen sie fr den Zweck geeignet sein und den richtigen Spezifikationen entsprechen. Die Wartungs- und Instandhaltungsrichtlinien des Herstellers sind stets zu befolgen. Im Zweifelsfall ist die technische Abteilung des Herstellers um Hilfe zu bitten.

Bei Anlagen, die entflammbare Ktemittel verwenden, sind die folgenden Kontrollen durchzufhren:

- Die Fllmenge entspricht der Raumgre, in der die ktemittelhaltigen Teile installiert sind;
- Die Lftungsanlagen und -auslsse funktionieren ordnungsgem und sind nicht verstopft;
- Bei Verwendung eines indirekten Khlkreislaufs ist der Sekundrkreislauf auf das Vorhandensein von Ktemittel zu prfen;
- Die Kennzeichnung der Ausrstung ist weiterhin sichtbar und lesbar. Unleserliche Markierungen und Schilder sind zu korrigieren;
- Die Ktemittelleitungen oder -bauteile sind an einer Stelle installiert, an der es unwahrscheinlich ist, dass sie mit Stoffen in Berhrung kommen, die ktemittelhaltige Bauteile angreifen, es sei denn, die Bauteile sind aus Werkstoffen hergestellt, die von Natur aus korrosionsbestndig sind, oder sie sind in geeigneter Weise gegen eine solche Korrosion geschtzt.

2.2.9 Kontrollen an Elektrogerten

Die Reparatur und Wartung von elektrischen Bauteilen muss eine erste Sicherheitskontrolle und Inspektion der Bauteile umfassen. Liegt ein Fehler vor, der die Sicherheit beeintrchtigen knnte, so darf die Stromversorgung nicht an den Stromkreis angeschlossen werden, bis der Fehler zufriedenstellend behoben ist. Kann der Fehler nicht sofort behoben werden, ist es aber notwendig, den Betrieb fortzusetzen, so ist eine angemessene bergangslsung zu whlen. Dies ist dem Eigentmer des Gerts mitzuteilen, damit alle Beteiligten informiert sind.

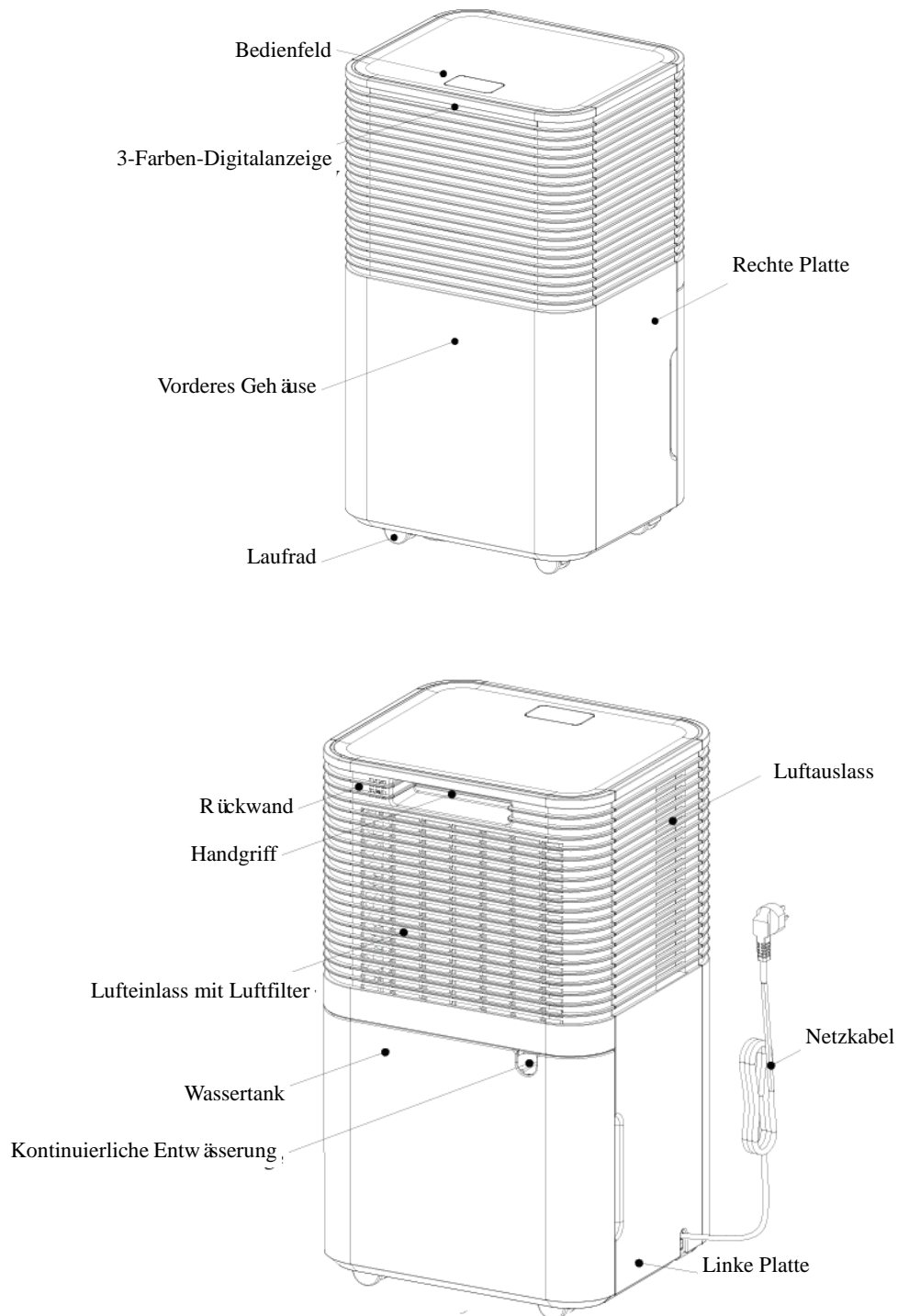
Zu den ersten Sicherheitskontrollen gehren:

- Dass die Kondensatoren entladen sind: Dies muss auf sichere Weise geschehen, um die Mglichkeit von Funkenbildung zu vermeiden;
- Dass whrend des Aufladens, der Wiederherstellung oder der Reinigung des Systems keine stromfhrenden elektrischen Bauteile und Leitungen freiliegen;

- Dass die Erdung durchgängig vorhanden ist

3. PRODUKTÜBERSICHT

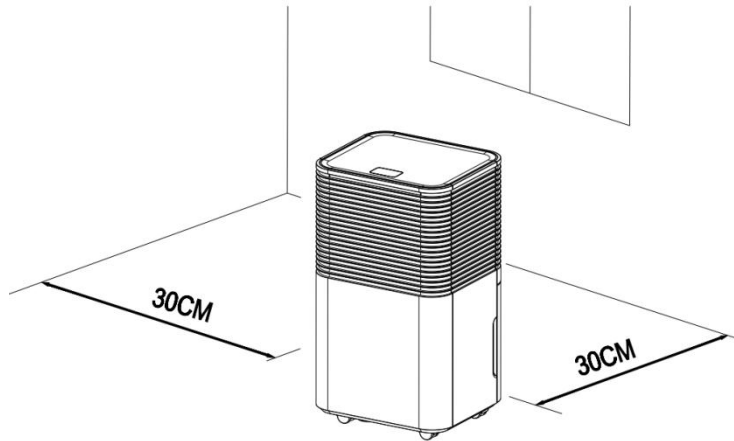
3.3 PRODUKTANSICHT



4. MONTAGE

4.1 STANDORT

5. Stellen Sie das Ger ät auf eine feste, ebene Fläche mit einem Freiraum von mindestens 30 cm um es herum, um eine gute Luftzirkulation zu gewährleisten.
6. Stellen Sie das Ger ät niemals an einem Ort auf, an es Folgendem ausgesetzt sein könnte:
 - Wärmequellen wie Heizgeräte, Heizregister, Öfen oder andere Produkte, die Wärme erzeugen.
 - In einem Bereich, in dem Öl oder Wasser verspritzt werden kann
 - Direktes Sonnenlicht
 - Mechanische Vibrationen oder Stöße
 - Übermäßiger Staub
 - Mangelnde Belüftung, z. B. in einem Schrank oder Bücherregal
 - Ungleichmäßige Oberfläche



WARNUNG

Stellen Sie das Ger ät in R äumen auf, die gr ößer als 4 m² sind.

Installieren Sie das Ger ät nicht an einem Ort, an dem brennbare Gase austreten k önnen.



HINWEIS

Der Hersteller kann andere geeignete Beispiele nennen oder zus ätzliche Informationen über den K ätemittelgeruch geben.

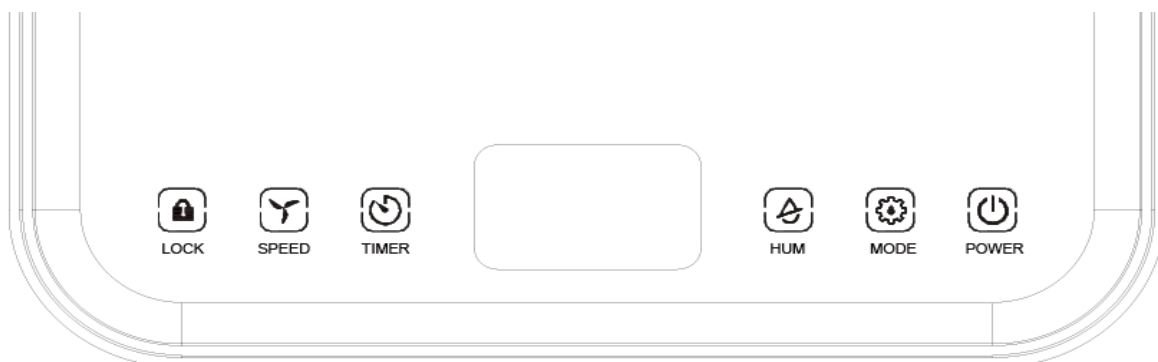
4.2 SICHERER BETRIEB DES GERÄTS

- Prüfen Sie das Ger ät nach dem Auspacken auf eventuelle Sch äden oder Kratzer am Ger ät.
- Betreiben Sie das Ger ät bei einer Umgebungstemperatur von 5 °C bis 35 °C.
- Verwenden Sie es nicht im Außenbereich. Dieser Luftentfeuchter ist nur für den Einsatz in Innenr äumen bestimmt.
- Betreiben Sie das Ger ät nicht in der N ähe von W änden, Vorh ängen oder anderen Gegenst änden, die den Lufteinlass und -auslass blockieren k önnen.
- Halten Sie den Lufteinlass und -auslass frei von Hindernissen.
- Stellen Sie den Windabweiser vor der Inbetriebnahme nach oben ein.
- Wenn das Ger ät um mehr als 45 ° gekippt ist, lassen Sie es mindestens 24 Stunden lang aufrecht stehen, bevor Sie es in Betrieb nehmen.
- Halten Sie T üren und Fenster geschlossen, für bessere Energieersparnis.
- Betreiben oder lagern Sie das Ger ät nicht in direktem Sonnenlicht oder Regen.

- Es ist normal, dass sich der Luftauslass nach Dauerbetrieb an heißen Tagen warm anfühlt.
- Entleeren Sie den Wassertank, bevor Sie das Gerät bewegen.
- Vergewissern Sie sich, dass der Wassertank richtig eingesetzt ist, da das Gerät sonst nicht richtig funktioniert.
- Der Luftentfeuchter startet in dem Modus, der bei der letzten Verwendung des Geräts ausgewählt wurde.
- Der Luftentfeuchter beginnt mit der Entfeuchtung, wenn die Raumluftfeuchtigkeit 3 % höher ist als die eingestellte Luftfeuchtigkeit.
- Es gibt eine 3-minütige Schutzverzögerung des Kompressors. Warten Sie 3 Minuten, bis der Luftentfeuchter die Entfeuchtung wieder aufnimmt.

5. BETRIEB

5.1 BEDIENFELD



POWER

Nach dem Einschalten des Geräts leuchten alle Anzeigen und der Bildschirm 1 Sekunde lang auf und erlöschen dann. Nach einem Signalton leuchtet die Betriebsanzeige auf und das Gerät befindet sich im Standby-Modus.

Drücken Sie diese Taste, das Gerät beginnt zu laufen, die anfängliche relative Luftfeuchtigkeit beträgt 60 %, Standard-Automatik-Modus und hoher Umluftbetrieb.

Wenn Sie diese Taste erneut drücken, schaltet sich das Gerät aus, und der Ventilator wird geschlossen.



MODE

Auto-Modus - kontinuierlicher Trocknungsmodus-Schlafmodus-Zyklus, drücken Sie einmal, um den Modus von einem zum anderen zu wechseln, die entsprechende Anzeige leuchtet auf.

- **Auto-Modus:** Wenn die Luftfeuchtigkeit um $+3\% \geq$ als die eingestellte Luftfeuchtigkeit ist, schaltet sich der Ventilator ein und der Kompressor beginnt nach 3 Sekunden zu arbeiten.

Wenn die Luftfeuchtigkeit um $-3\% \leq$ als die eingestellte Luftfeuchtigkeit ist, schaltet sich der Kompressor aus und der Ventilator schaltet sich verzögert ab.

Sowohl die Ventilatorgeschwindigkeit als auch die Luftfeuchtigkeit können im Automatikmodus eingestellt werden.

- **Kontinuierlicher Trocknungsmodus:** Das Gerät läuft weiter, aber die Luftfeuchtigkeit kann nicht eingestellt werden.

- **Schlafmodus:** Berühren Sie die Schlaftaste, die Taste leuchtet auf und startet die Schlaffunktion. Wenn 10 Sekunden lang keine Bedienung erfolgt, werden alle Anzeigen allmählich dunkel und die Luftgeschwindigkeit wird automatisch von hoch auf niedrig umgeschaltet. Berühren Sie eine beliebige Taste, um den Anzeiger aufzuwecken. Berühren Sie die Schlaftaste erneut, um den Schlafmodus zu beenden.

Im Schlafmodus wird der Fehlercode nicht angezeigt, die Luftgeschwindigkeit ist nicht einstellbar und die Luftfeuchtigkeit ist einstellbar.



HUM

Im Automatik- oder Schlafmodus können Sie mit dieser Taste die eingestellte Luftfeuchtigkeit einstellen: bei jedem Drücken erhöht sich die eingestellte Luftfeuchtigkeit um 5 %, entsprechend dem Zyklus von 30 %-80 %.

Drücken Sie diese Taste lange, um die aktuelle Raumtemperatur abzufragen, doppelte acht Leuchten zeigen die aktuelle Raumtemperatur 5 Sekunden nach der automatischen Rückkehr zur Anzeige der aktuellen Luftfeuchtigkeit. Wenn diese Taste lange gedrückt wird, wird die Umgebungstemperatur angezeigt.



TIMER

Drücken Sie diese Taste, um die Timerfunktion von 0-24 Stunden einzustellen. Das Intervall beträgt 1 Stunde. Jedes Mal, wenn Sie diese Taste drücken, erhöht sich der Wert um 1 Stunde, und dann wird der entsprechende Zeitwert auf dem Bildschirm angezeigt. Der Einstellwert ist „00“, um die Timerfunktion zu deaktivieren. Der Anzeiger erlischt.

Nachdem der Timer eingestellt und abgeschlossen ist, leuchtet die Timer-LED während der Zeitmessung. Nachdem die Zeitmessung beendet ist, schaltet sich die Timer-LED automatisch aus.

Im laufenden Betrieb stellen Sie die Zeit ein, zu der das Ger ä ausgeschaltet werden soll;

Im Standby-Zustand stellen Sie die Zeit für das Einschalten des Ger äs ein.



SPEED

Die Luftgeschwindigkeit kann nur im automatischen Modus eingestellt werden. Drücken Sie diese Taste, um zwischen hoher und niedriger Lufteschwindigkeit umzuschalten. Der entsprechende Luftgeschwindigkeitsanzeiger leuchtet auf.



LOCK

Drücken Sie lange auf diese Taste, um die Kindersicherung aufzurufen. Der Kindersicherungsanzeiger leuchtet auf. Alle Tasten sind gesperrt und können nicht betrieben werden. Drücken Sie diese Taste erneut, die Kontrollleuchte erlischt, und die Taste wird wieder freigegeben.

Öffnen Sie die Kindersicherungsfunktion, solange das Ger ä heruntergefahren oder ausgeschaltet ist, wird die Kindersicherungsfunktion automatisch aufgehoben.

3 Digitale Farbanzeige:

Umgebungsluftfeuchtigkeit < 45 %, die Leuchte zeigt blau

$45 \leq$ Umgebungsluftfeuchtigkeit ≤ 65 %, die Leuchte zeigt grün

Umgebungsluftfeuchtigkeit > 65 %, die Leuchte zeigt rot

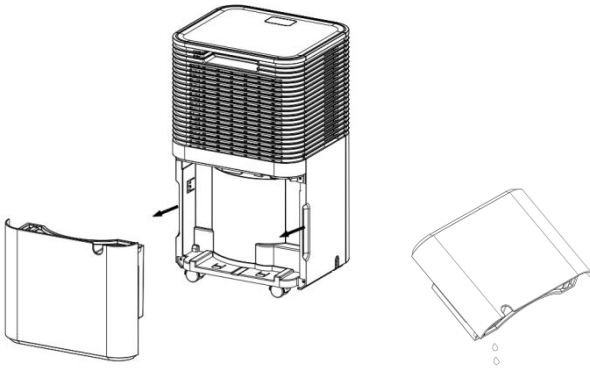
Wenn das LED E0, E2, CL, CH, LO, HI anzeigt, zeigt die Leuchte rot.

ENTWÄSSERUNG:

ENTLEEREN DES WASSERTANKS

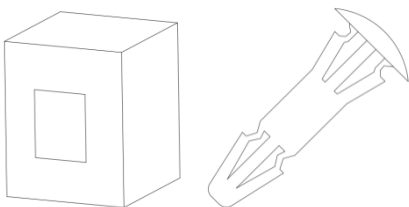
- Wenn der Tank voll ist, gibt das Ger ä einen Summton von sich, und die Leuchte „Wasser voll“ leuchtet auf.
- Drücken Sie die EIN-/AUS-Taste, um das Ger ä auszuschalten.
- Ziehen Sie am Wassertank und schieben Sie ihn einfach aus dem Gehäuse des Luftentfeuchters heraus.
- Entleeren Sie das Wasser in einen Bereich mit einem Abfluss oder nach draußen.

- Reinigen Sie die Innenseite des Tanks und die Außenseite.
- Setzen Sie den leeren Tank wieder in das Gerät ein.
- Drücken Sie die EIN-/AUS-Taste, um das Gerät wieder in Betrieb zu nehmen.
- Wenn die Leuchte Wasser voll nicht erlischt, prüfen Sie, ob der Schwimmer richtig eingesetzt ist.



Warnung

9. Werfen Sie die Magnete des Wassertanks und die Kunststoffnieten nicht weg. Andernfalls schaltet sich das Gerät nicht automatisch ab, wenn der Wassertank voll ist, und das Kondenswasser läuft über und beschädigt den Boden des Raums.



10. Bitte stellen Sie sicher, dass das Kondenswasser im Wassertank gereinigt wird, bevor Sie den Betriebsmodus des Geräts zurücksetzen.

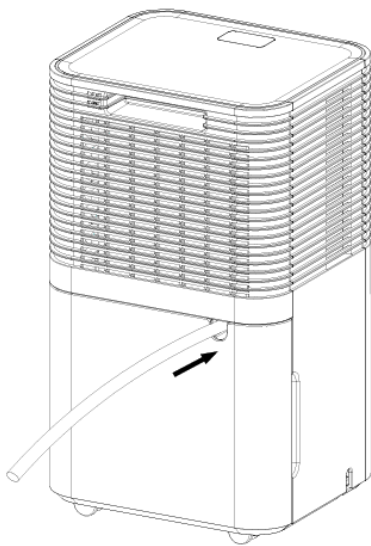
11. Wenn der Wassertank verschmutzt ist, spülen Sie ihn mit sauberem Wasser aus. Vermeiden Sie die Verwendung von Reinigungsmitteln, Stahlkugeln, chemischen Staubentfernern, Dieselöl, Benzol, Verdünnungsmitteln oder anderer Lösungsmitteln. Andernfalls wird der Wassertank beschädigt und läuft aus.

12. Setzen Sie den leeren Tank wieder in das Gerät ein. Andernfalls kann der Anzeiger „Wasser voll“ rot bleiben und die Maschine kann nicht wieder gestartet werden.

KONTINUIERLICHE ENTWÄSSERUNG

Für den Dauerbetrieb oder die unbeaufsichtigte Entfeuchtung schließen Sie bitte den beigefügten Ablaufschlauch an das Gerät an. Das Kondenswasser kann automatisch in einen Eimer fließen oder durch Schwerkraft ablaufen.

1. Richten Sie das Abflussrohr gerade aus
2. Stecken Sie ein Ende des Abflusses in den Abfluss in der Zisternenöffnung und verbinden Sie das andere Ende mit dem Badezimmer, dem Außenbereich oder einem eimerähnlichen Behälter bzw. dem vorgeschriebenen Abflussbereich.



Warnung

7. Bitte blockieren Sie den Abfluss oder das Abflussrohr nicht, da sonst Kondenswasser in den Wassertank fließt.
8. Bitte biegen Sie das Abflussrohr nicht. Die Höhe des Abflussrohrs sollte niedriger als der Auslass sein.
9. Das Abflussrohr muss fest mit dem Auslass verbunden sein;

WARTUNG

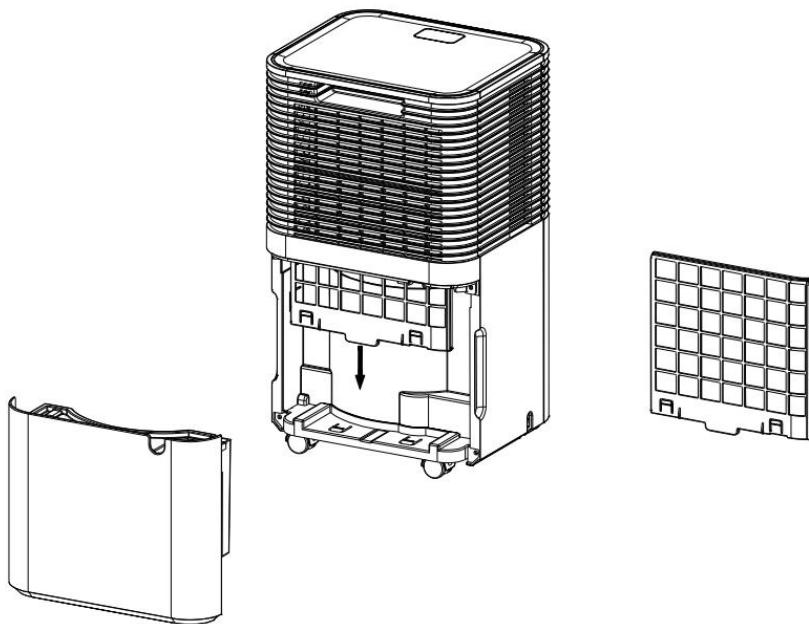
Hinweis: Schalten Sie das Ger ät vor der Reinigung und Wartung unbedingt aus und ziehen Sie den Netzstecker, um einen Stromschlag zu vermeiden.

- **REINIGUNG DES LUFTFILTERS** (alle zwei Wochen)

Der Staub sammelt sich auf dem Filter und behindert den Luftstrom. Der eingeschr änkte Luftstrom verringert die Effizienz des Systems, und wenn er verstopft wird, kann das Ger ät besch ädigt werden.

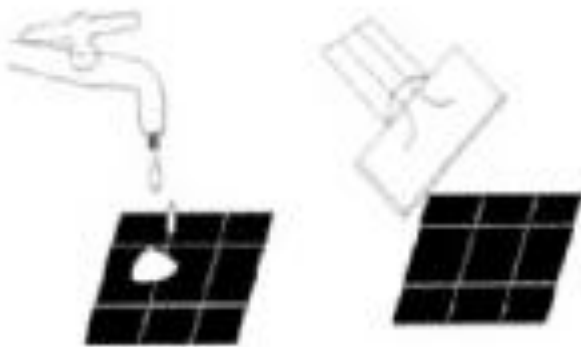
Der Luftfilter muss regelm äßig gereinigt werden. Der Luftfilter ist zur einfachen Reinigung herausnehmbar. Betreiben Sie das Ger ät nicht ohne Luftfilter, da sonst der Verdampfer verschmutzt werden kann.

1. Nehmen Sie den Wassertank aus dem Geh äuse und ziehen Sie dann den Filter aus dem Boden der hinteren Wand heraus;

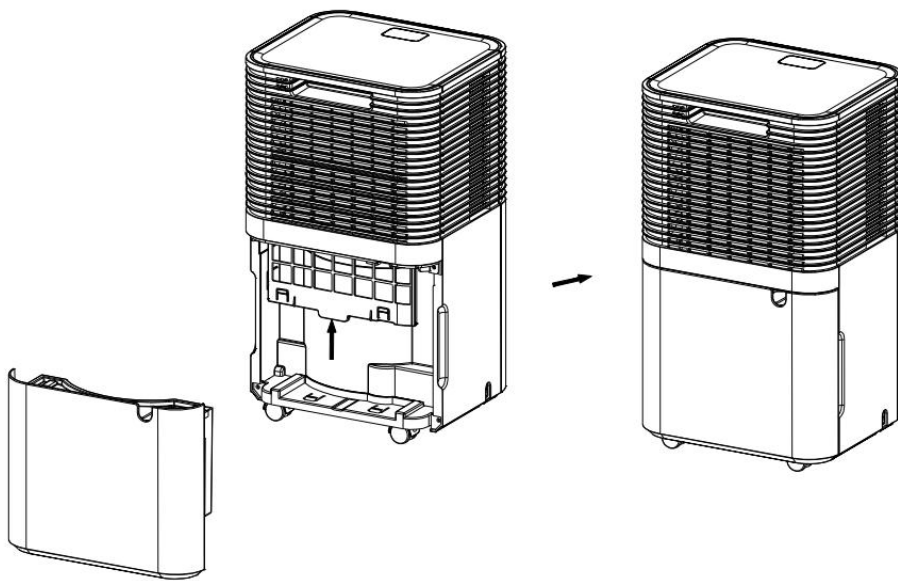


2. Verwenden Sie einen Staubsauger, um den Staub auf der Oberfl äche vorsichtig aufzusaugen.

Wenn der Filter stark verschmutzt ist, waschen Sie ihn mit Wasser und einem sanften Reinigungsmittel und trocknen Sie ihn anschlie ßend gr ündlich.



3. Setzen Sie den Filter wieder ein.



FEHLERBEHEBUNG

3. ARBEITSTEMP.

$5\text{ °C} \leq \text{Umgebungstemp.} \leq 35\text{ °C}$

Wenn die Umgebungstemperatur niedriger oder höher als die Betriebstemperatur ist, schaltet sich der Luftentfeuchter ab.

Wenn $5\text{ °C} \leq \text{Umgebungstemp.} \leq 16\text{ °C}$, taut der Kompressor automatisch in Intervallen ab; während des Abtauens stoppt der Kompressor und der Ventilator läuft weiter.

2. VOR DER INANSPRUCHNAHME DES KUNDENDIENSTES

Bevor Sie sich an den Kundendienst wenden, sollten Sie die Fehlerbehebungsliste durchgehen, die bekannte Ereignisse enthält, die nicht auf einen Verarbeitungs- oder Materialfehler zurückzuführen sind.

Problem	Mögliche Ursache	Lösung
Funktioniert nicht	Keine Stromzufuhr	Schließen Sie das Gerät an eine funktionierende Steckdose an und schalten Sie es ein.
	Wasser-Voll-Anzeige blinkt	Wassertank entleeren und zurücksetzen oder den Wassertank wieder an die richtige Stelle setzen
	Raumtemperatur $< 5\text{ °C}$, oder $> 35\text{ °C}$	Selbstschutz, um das Gerät zu schützen. Kann bei dieser Temperatur nicht funktionieren
Schlechte	Ist der Luftfilter verstopft?	Reinigen Sie den Luftfilter wie vorgeschrieben

Funktion	Ist der Ansaug- oder Ausblaskanal verstopft?	Entfernen Sie die Verstopfung im Ansaug- oder Ausblaskanal.
Keine Luftansaugung	Ist der Filter verstopft?	Waschen Sie den Filter
Lautes Geräusch beim Betrieb	Steht die Maschine auf einem ebenen Platz?	Stellen Sie das Ger ä auf den Boden
	Ist der Filter verstopft?	Waschen Sie den Filter
E2	Problem mit dem Luftfeuchtigkeitssensor	Sensor auswechseln
LO	Die Umgebungsfeuchtigkeit liegt unter 20 %.	Der Luftentfeuchter schaltet sich zum Selbstschutz ab.
Hoch	Die Umgebungsfeuchtigkeit liegt über 90 %.	
CL	Schutz bei niedriger Temperatur, die Umgebungstemperatur < 5 °C	
CH	Schutz bei hohen Temperaturen, die Umgebungstemperatur > 38 °C	

AUSSERBETRIEBNAHME

LAGERUNG

Langfristige Lagerung - Wenn Sie das Ger ä über einen längeren Zeitraum (mehr als ein paar Wochen) nicht verwenden, ist es am besten, das Ger ä zu reinigen und vollständig auszutrocknen. Bitte lagern Sie das Ger ä gemäß den folgenden Schritten:

15. Drücken Sie die Ein-/Aus-Taste, um das Ger ä auszuschalten, und ziehen Sie den Netzstecker.
16. Lassen Sie das restliche Wasser aus dem Ger ä ab.
17. Reinigen Sie den Filter und lassen Sie ihn an einem schattigen Ort vollständig trocknen.
18. Sammeln Sie das Stromkabel am Wassertank.
19. Bringen Sie den Filter wieder an seinem Platz an.
20. Das Ger ä muss bei der Lagerung in aufrechter Position aufbewahrt werden.
21. Bewahren Sie das Ger ä in einem belüfteten, trockenen, ohne korrosiven Gas und sicheren Innenraum auf.

ACHTUNG:

Der Verdampfer im Inneren des Ger äs muss getrocknet werden, bevor das Ger ä verpackt wird, um Schäden an den Komponenten und Schimmel zu vermeiden. Ziehen Sie den Stecker aus der Steckdose und stellen Sie das Ger ä für einige Tage an einen trockenen, offenen Ort, um es zu trocknen. Eine andere Möglichkeit, das Ger ä zu trocknen, besteht darin, den Luftfeuchtigkeitspunkt um mehr als 5 % höher als die Umgebungsfeuchtigkeit einzustellen, um den Ventilator zu zwingen, den Verdampfer einige Stunden

lang zu trocknen.

ENTSORGUNG

WARNUNG!!!

Das Freisetzen von Kältemitteln in die Atmosphäre ist strengstens untersagt!

Entsorgen Sie Elektrogeräte nicht als unsortierten Hausabfall, sondern nutzen Sie separate Sammelstellen. Wenden Sie sich an Ihre Gemeindeverwaltung, um Informationen über die verfügbaren Sammelsysteme zu erhalten. Wenn Elektrogeräte auf Mülldeponien entsorgt werden, können Gefahrenstoffe ins Grundwasser und in die Nahrungskette gelangen und Ihre Gesundheit und Ihr Wohlbefinden beeinträchtigen.

