

# **ELECTRIC HEATER INSTRUCTION MANUAL**

Model:M928-32Z (NDF-180LS)



## **ATTENTION:**

1. Find a location for the electric heater that is protected from direct sunlight.
2. Do not plug the electric heater into the power outlet before you read all instructions.

# **IMPORTANT SAFETY INSTRUCTIONS**

## **SAVE THESE INSTRUCTIONS FOR FUTURE USE**

**WHEN USING ELECTRICAL APPLIANCES, BASIC PRECAUTIONS SHOULD ALWAYS BE FOLLOWED TO REDUCE THE RISK OF FIRE, ELECTRIC SHOCK, AND INJURY TO PERSONS, INCLUDING THE FOLLOWING:**

Read all instructions before using this heater. Failure to follow these important safety instructions may cause fire, electric shock or damage. Following proper safety and operating instructions is the responsibility of the owner.

- 1) Grounding (If necessary) - this heater is for use on 120 volts. DO NOT attempt to modify the plug in any way or use adaptors to defeat the purpose of the grounding feature.
- 2) This heater is hot when in use. To avoid burns, do not let skin come in direct contact with hot surfaces. The grill directly in front of the heater outlet becomes hot during heater operation. Keep combustible materials, such as furniture, pillows, bedding, papers, clothes, and curtains at least 3 feet away from the front of the unit and keep them away from the sides and rear.
- 3) CAUTION: Extreme caution is necessary when any heater is used by or near children or those with disabilities. Never leave the heater operating unattended.
- 4) Always unplug heater when not in use.
- 5) Do not operate any heater with a damaged cord or plug or after the heater malfunctions, has been dropped or damaged in any manner. Take heater to authorized service facility for examination, electrical or mechanical adjustment or repair.
- 6) Under no circumstance should this electric heater be modified. Parts having to be removed for servicing must be replaced by a certified repair center prior to operating this electric heater again.
- 7) Do not use outdoors or anywhere it can get wet. This heater is not intended for use in bathrooms, laundry areas and similar indoor locations. Never locate heater where it may fall into a bathtub or in the vicinity of water.
- 8) Do not run cord under carpeting. Do not cover cord with throw rugs, runners, or similar coverings. Arrange cord away from traffic area and where it will not be tripped over.
- 9) To disconnect heater, turn off all controls, then remove plug from outlet.
- 10) Connect to property grounded outlets only.
- 11) Do not insert or allow foreign objects to enter any ventilation or exhaust opening as this may cause an electric shock or fire, or damage the heater.
- 12) To prevent a possible fire, do not block air intakes or exhaust in any manner. Do not use on soft surfaces, like a bed, where openings may become blocked.
- 13) CAUTION: A heater has hot and arcing or sparking parts inside. Do not use it in

areas where gasoline, propane, paint, or flammable liquids are used or stored or where the unit will be exposed to flammable vapours. The heater should not be used as a drying rack for clothing. Do not hang any decorations on the heater.

- 14) Do not modify this heater. Use this heater only as described in this manual. Any other use not recommended by the manufacturer may cause fire, electric shock, or injury to persons.
- 15) Avoid the use of an extension cord because the extension cord may overheat and cause a risk of fire. However, if you have to use an extension cord, the cord shall be No.16AWG minimum size and rated not less than 1875 watts, and 3-wire cord with grounding type plug and cord connector.
- 16) Do not plug this product into a receptacle controlled by a wall switch or dimmer.
- 17) Always use a certified electrician should new circuits or outlets be required.
- 18) Always disconnect power before performing any cleaning, maintenance or relocation of the heater.
- 19) For off-season storage, keep in a dry place, free from excessive vibration damage.

**NOTE:** Procedures and techniques that are considered important enough to emphasize.

**CAUTION:** Procedures and techniques, which, if not carefully followed, will result in damage to the equipment or personal property or may cause personal injury.

**WARNING:** Procedures and techniques, which, if not carefully followed, will expose the user to the risk of serious injury, illness or death.

**WARNING:**

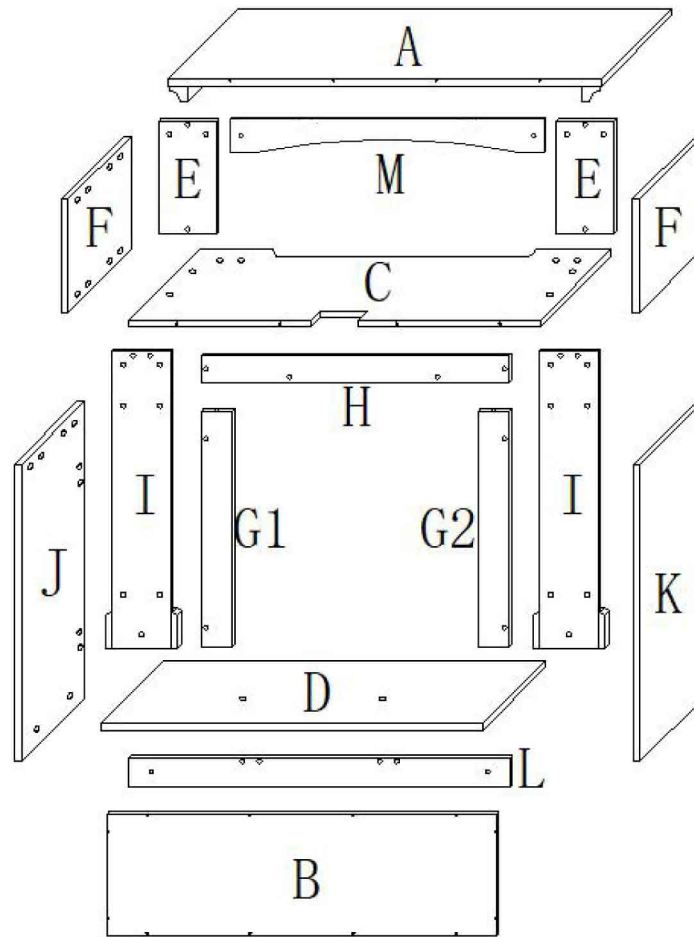
This heater and parts become hot when in use. Be sure to maintain a personal distance and keep any combustible material at least ten feet away from the heater. The area directly around and under the heater must be clear and free of any obstructions.

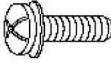
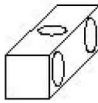
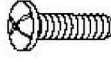

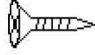
**DO NOT ALLOW CHILDREN TO OPERATE THIS HEATER. KEEP CHILDREN AND PETS AWAY FROM HEATER AND CONTROLS.**

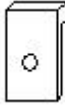

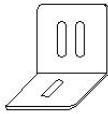

**Electrical Parameter**

- ◆ Power supply: AC120V
- ◆ Frequency: 60Hz
- ◆ Power: 1500W

**NOTE:** If the supply cord is damaged, it must be replaced by the manufacturer, its service agent or similarly qualified persons in order to avoid a hazard.

**PARTS LIST:**

REF NO	DESCRIPTION	QTY
U1	 6*18	10 PCS
U2		28 PCS
U3	 6*18	82 PCS
U4		2 PCS
U5	 3*14	14 PCS

U6		2 PCS
U7	 6*10	2 PCS
U8		2 PCS
U9	 6*8	2 PCS

## INSTALLATION

U1:  2PCS

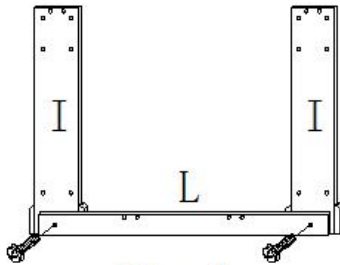


Fig. 1

U2:  2PCS

U3:  6PCS

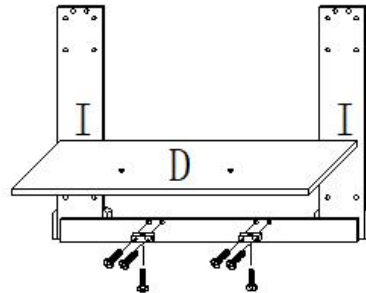


Fig. 2

U2:  4PCS

U3:  12PCS

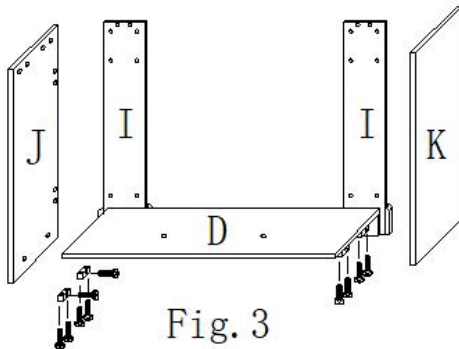


Fig. 3

U2:  4PCS

U3:  12PCS

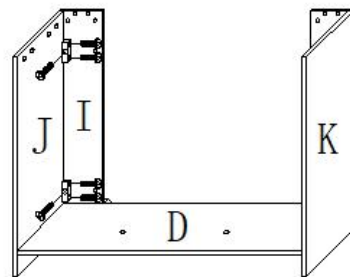


Fig. 4

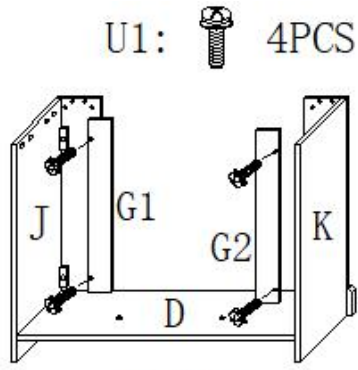


Fig. 5

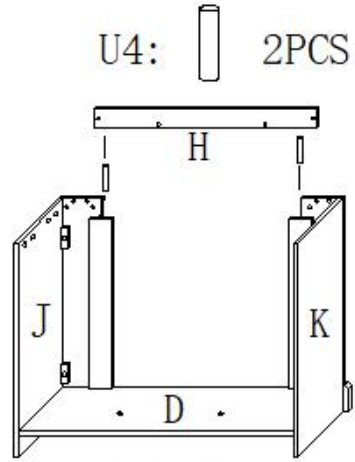


Fig. 6

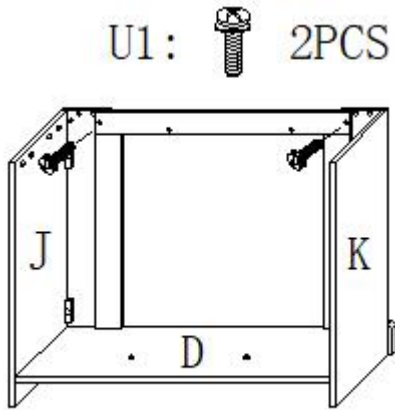


Fig. 7

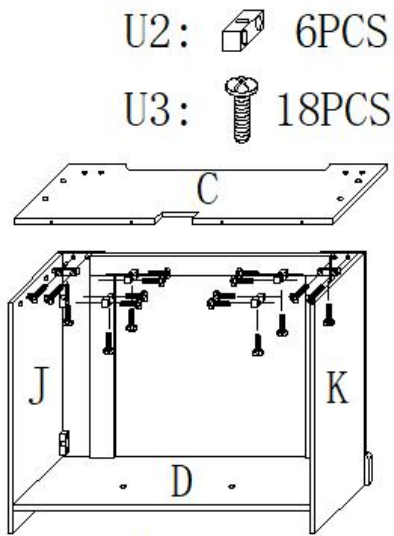


Fig. 8

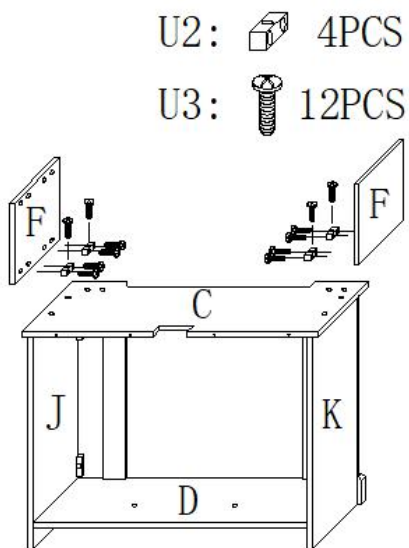


Fig. 9

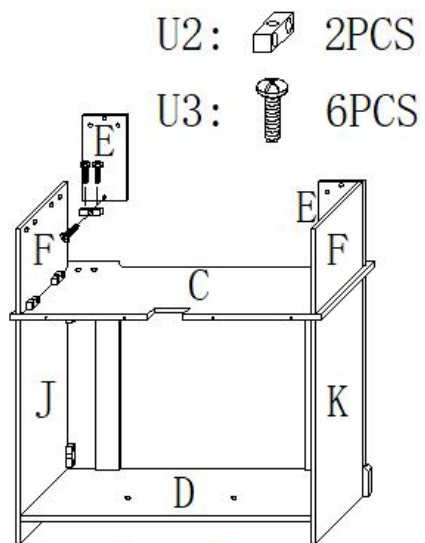



Fig. 10

U2:  6PCS

U3:  18PCS

U1:  2PCS

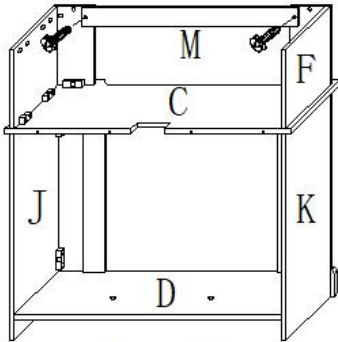


Fig. 11

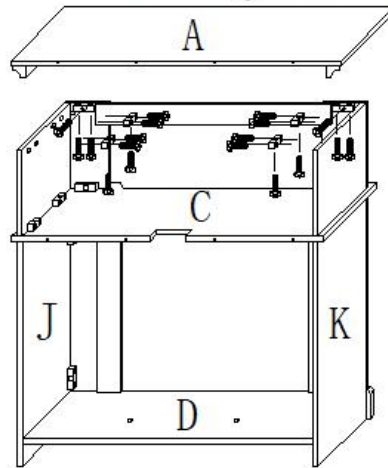


Fig. 12

U5:  12PCS

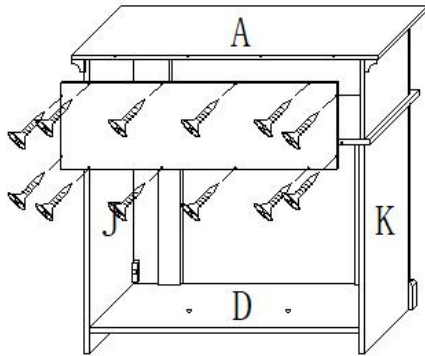


Fig. 13

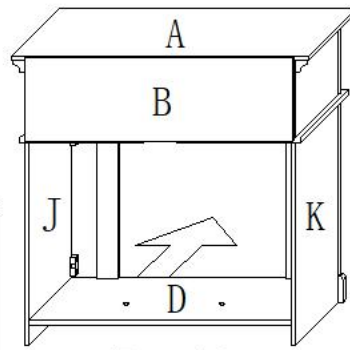
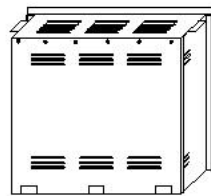


Fig. 14

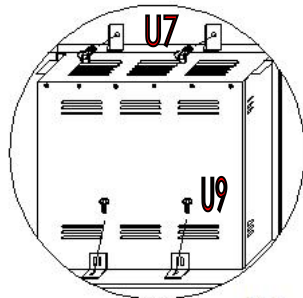



Fig. 15

U6:  2PCS

U7:  2PCS

U8:  2PCS

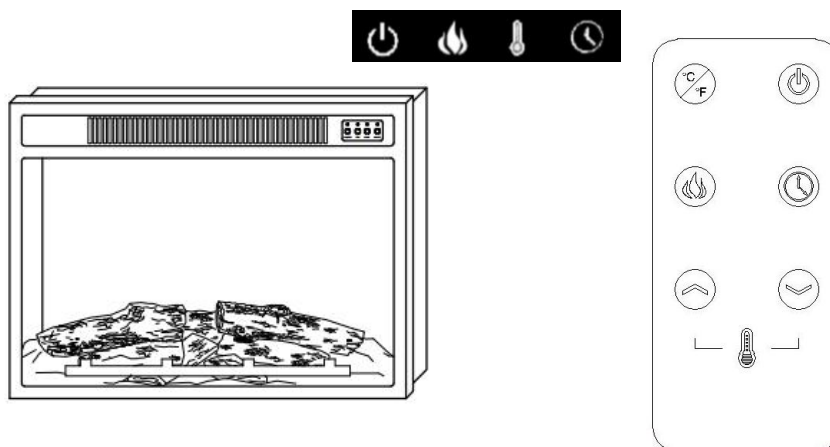
U9:  2PCS

## OPERATION






Once the fireplace heater insert has been properly installed and connected to a ground electrical outlet, it is ready to operate. Note: ensure the circuit breakers for the power supply are turned on.

**NOTE: Plug in your fireplace, you have power and your remote is ready to operate your unit.**

The heater controls are located at top right corner of the insert.



**Remote Control**

-  : Press this button for main power function and flame effect. Press again will stop the main power function. Once the heater is switched off, the unit will keep working with air flow for 60 more seconds.
-  : Press this button to toggle between the two temperature scales. The corresponding Celsius (C) or Fahrenheit (F) LED indicates the current setting.
-  : Press this button for timer function. The letters '0H' to '8H' will appear on the LED screen. '0H' means there is no set running time and heater will run continuously. The letters '1H' to '8H' mean the number of hours that the heater will operate before shutting off.
-  : Press this button, the numbers '6' to '0' will appear on the LED screen. '6' means there is highest flame brightness. And '0' means there is no flame effect.
-  : Press up or down button to the desired temperature. When desired ambient temperature is reached, the heater will automatically stop heating. When the ambient temperature drops below the desired temperature 2 °C , the heater will resume heating. Press this button on machine to get the desired temperature. Hold it for 5 seconds o toggle between the two temperature scales. The corresponding Celsius (C) or Fahrenheit (F) LED indicates the current setting.

Note: When the power button is turned off, all other heater functions will stop even though the buttons may be in the on position.



### **Remote Control Battery Replacement:**

Replace with a CR2025 battery and follow the diagram at the back of remote handset to install the new battery.

### **Maintenance:**

The Infrared Heater is a very safe and effective room heater. It produces safe, clean and economical heat by utilizing quartz infrared heating elements.

**WARNING:** Completely disconnect power before attempting any maintenance or cleaning, to reduce the risk of fire or electric shock. Maintenance should only be performed by a certified technician.

### **Cleaning:**

Before cleaning any parts of the fireplace make sure to first turn off the controls and then unplug the unit from power source.

**CAUTION:** Wait until the unit has completely cooled before attempting any cleaning.

**Cleaning Glass Panel:** Remove dust with clean dry cloth. Remove fingerprints and other marks from glass door by using a clean damp cloth. Do not use abrasive cleaners or spray liquids on glass door surfaces.

Metal and metal painted parts should be cleaned with clean damp cloth only. Do not use abrasive cleaners or spray liquids on these surfaces.