

COMBINATION ELECTRIC FIREPLACE/HEATER

READ AND SAVE THESE INSTRUCTIONS FOR FUTURE USE

ASSEMBLY INSTRUCTION

Table of Contents

Table of Contents	2
Safety Information	2
Pre-installation	4
Assembly	5
Operation	6
Maintenance Instruction.....	8
Mantel Assembly.....	9

Safety Information

IMPORTANT SAFETY INFORMATION

PLEASE READ ALL OF THE INFORMATION IN THIS OPERATING MANUAL, INCLUDING ALL SAFETY, OPERATING, AND MAINTENANCE INFORMATION. TO AVOID THE POTENTIAL RISK OF FIRE, ELECTRIC SHOCK, OR INJURY TO PERSONS, USERS SHOULD FOLLOW THE DIRECTIONS AND WARNINGS IN THIS MANUAL.

1. Read all instructions before using this heater.
2. Do not use this heater outdoors.
3. This heater is not intended for use in bathrooms, laundry areas and similar indoor locations. Never locate the heater where it may fall into a bathtub or other water container.
4. Do not run the power cord under carpeting. Do not cover the power cord with throw rugs, runners, or the like. Arrange the power cord away from traffic areas and where it will not be tripped over.
5. To disconnect the heater, turn controls to off, then remove the plug from the outlet.
6. Connect to properly grounded outlets only. Always plug heaters directly into a wall outlet/receptacle. Never use with an extension cord or reloadable power tap (outlet/power strip).
7. To prevent a possible fire, do not block firebox air intakes or the exhaust in any manner. Do not operate the firebox on soft surfaces, like a bed, where openings may become blocked.
8. There is a thermostat limiter inside the heater. When the inner temperature over heats or abnormal heating occurs, the thermostat protective device cuts off the power supply to avoid fireplace damaged or risk of fire.
9. Use this heater only as described in this manual. Any other use not recommended by the manufacturer may cause fire, electrical shock, or injury to persons.

SAVE THESE INSTRUCTIONS



WARNING: There are no user serviceable parts inside the fireplace/heater. If the unit appears to malfunction, turn the unit off and unplug the unit from the wall immediately, and contact Customer Service at 1-800-445-1527.



WARNING: This heater is hot when in use. To avoid burns, do not let bare skin touch hot surfaces. If provided, use handles when moving this heater. Keep combustible material, such as furniture, pillows, bedding, papers, clothes and curtains at least 3 ft. (0.9 meters) from the front of the heater and keep them away from the sides and rear.



WARNING: Extreme caution is necessary when any heater is used by or near children or invalids and whenever the heater is left operating and unattended.



WARNING: Always unplug the heater when not in use.



WARNING: Do not operate any heater with a damaged cord or plug or after the heater malfunctions, has been dropped or damaged in any manner. Return the heater to an authorized service facility for examination, electrical or mechanical adjustment, or repair.



WARNING: Do not insert or allow foreign objects to enter any ventilation or exhaust openings as this may cause an electric shock or fire, or damage the heater.



WARNING: A heater has hot and arching or sparking parts inside. Do not use in areas where gasoline, paint, or flammable liquids are used or stored.



CAUTION: While the heater is in use, the top center of the fireplace can get hot to the touch, and may cause serious injury or burns. Always supervise small children around the fireplace/heater. Do not place any cloth or decorations over the heater outlet of the fireplace, or otherwise obstruct the heater outlet of the fireplace, as this may cause a fire and serious injury may result.

Safety Information (continued)

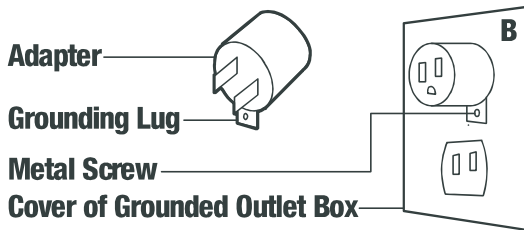
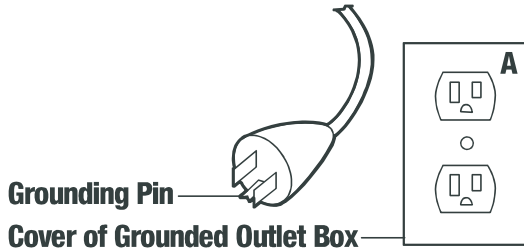
GROUNDING INSTRUCTIONS



DANGER: Improper connection of the equipment-grounding conductor can result in a risk of electric shock. Check with a qualified electrician or serviceman if you are in doubt as to whether the product is properly grounded. Do not modify the plug provided with the product. If it will not fit the outlet, have a proper outlet installed by qualified electrician.

This product must be grounded. If it should malfunction or breakdown, grounding provides a path of least resistance for electric current to reduce the risk of electric shock. This product is equipped with a cord having an equipment-grounding conductor and a grounding plug. The plug must be plugged into an appropriate outlet that is properly installed and grounded in accordance with all local codes and ordinances.

This heater is for use on 120 volt circuits and has a grounded plug. An adapter is available for connecting three-blade grounding type plugs to two-slot receptacles. The green grounding lug extending from the adapter must be connected to a permanent ground such as a properly grounded outlet box. The adapter should not be used if a three-slot grounded receptacle is available.



FCC STATEMENT

This equipment has been tested and found to comply with the limits for a Class B digital device, pursuant to Part 15 of the FCC Rules. These limits are designed to provide reasonable protection against harmful interference in a residential installation. This equipment generates, uses, and can radiate radio frequency energy and, if not installed and used in accordance with the instructions, may cause harmful interference to radio communications. However, there is no guarantee that interference will not occur in a particular installation. If this equipment does cause harmful interference to radio or television reception, which can be determined by turning the equipment off and on, the user is encouraged to try to correct the interference by one or more of the following measures:

- Reorient or relocate the receiving antenna.
- Increase the separation between the equipment and the receiver.
- Connect the equipment into an outlet on a circuit different from that to which the receiver is connected.
- Consult the dealer or an experienced radio/TV technician for help.

This device complies with Part 15 of the FCC Rules. Operation is subject to the following two conditions:

- 1) This device may not cause harmful interference, and
- 2) This device must accept any interference received, including interference that may cause undesired operation.

Modifications not approved by the party responsible for compliance could void user's authority to operate the equipment.

Warranty

We are confident that you will be delighted with this purchase. Should this product be defective in workmanship or materials, or fail under normal use, we will repair or replace it for a period of up to one (1) year from date of purchase.

This warranty gives you specific rights and you may also have other rights which vary from state to state.

Contact the Customer Service Team at 1-800-445-1527

Pre-installation

ELECTRICAL SPECIFICATIONS

- Voltage: 120 VAC, 60 Hz
- Watts: 1400 Watts

TOOLS REQUIRED



Phillips
screwdriver
(not provided)

HARDWARE INCLUDED



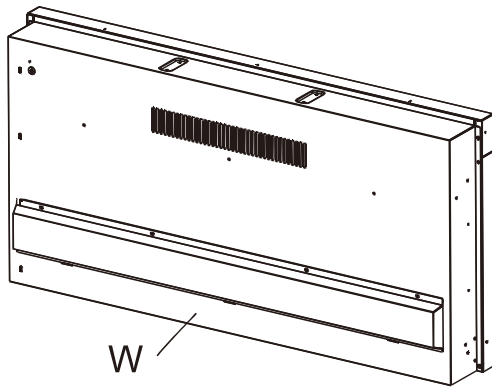
NOTE: Hardware not shown to actual size.



ZZ

Part	Description	Quantity
ZZ	Screw	15

PACKAGE CONTENTS



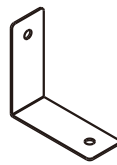
PART	DESCRIPTION	QUANTITY
W	Fireplace Insert	1
D	Acrylic Crystal	1
V	Remote control	1
M	Mounting bracket	4



D



V



M



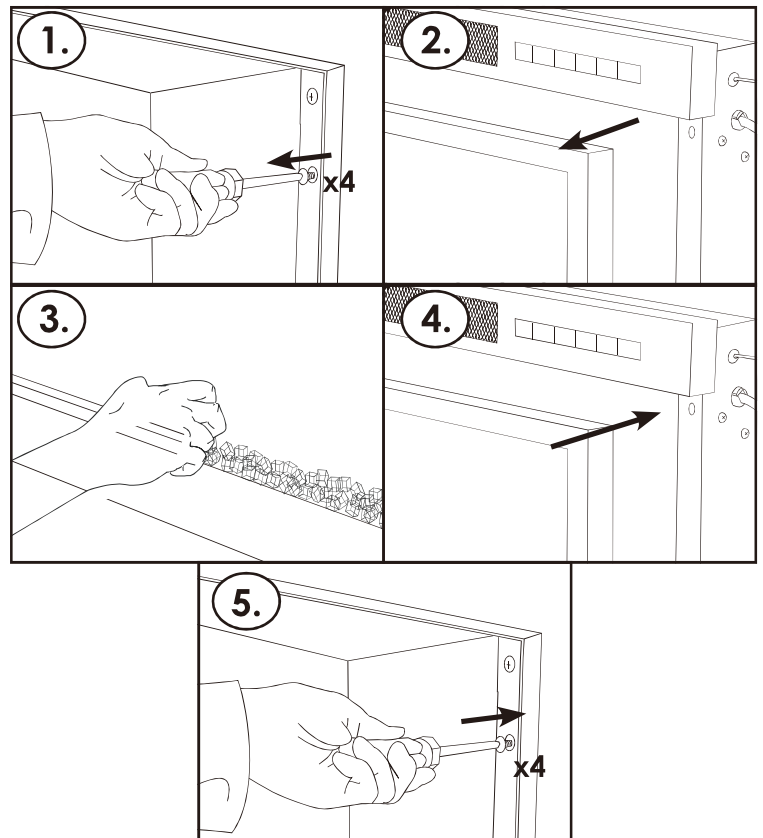
This insert has front panel made of GLASS! ALWAYS use extreme caution when handling glass. Failure to do so could result in personal injury or property damage.

Assembly

1 INSTALLING THE EMBER BED

You will need one phillips head screwdriver and remove the ember bed from the carton to complete the following instructions:

1. Remove the 4 screws on the back left and right sides of the firebox that hold the glass front in place.
2. Carefully remove the glass front.
3. Arrange the ember bed (acrylic crystals) along the inset window ledge at the front of the electric firebox
4. Replace the glass front.
5. Line up the holes on the front with the holes on the firebox and insert and tighten 4 screws to hold the glass front in place.

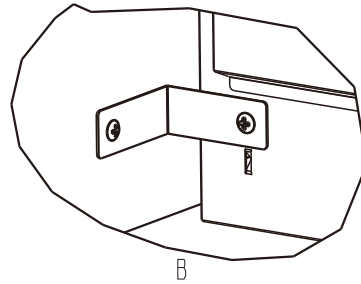
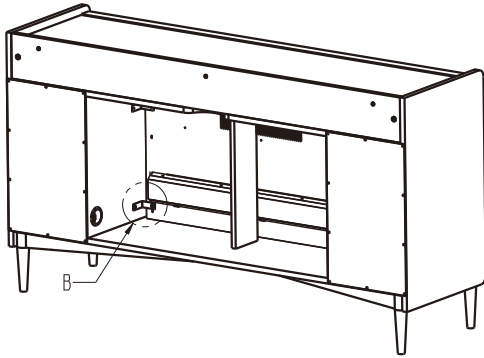


2 Installing the fireplace insert

- Carefully set the fireplace insert (W) into the back of the mantel and center it in the opening. Use care not to scratch the wood. Check the alignment, and then attach the fireplace insert (W) to the mantel by inserting the screws (ZZ) through the drilled holes on the fixing holder and insert and securely screw into place using a Phillips screwdriver. As shown in the diagram.



NOTE: DO NOT attempt to install the insert from the front of the mantel - it will not fit.



Operation

This firebox insert features conveniently separate controls for the flame effect and heat control. This feature allows you to operate the unit in 2 different ways;

1. As a full featured fireplace insert with both flame effect and heater operating simultaneously.
2. As a visual effect with flame effect only. (i.e. no heating cycle)

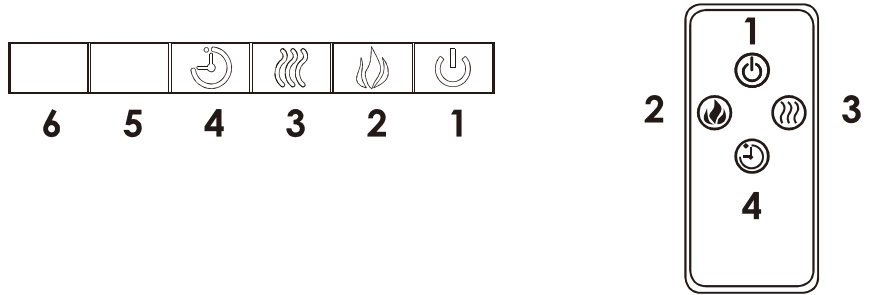
NOTE: This firebox insert is not designed to operate in "heat" only mode without a flame effect.

USING THE TOUCHPAD AND REMOTE CONTROLS


On the top-right of the electric firebox is the touchpad control panel. The touchpad panel and remote control operate the electric firebox's heat, timer and flame effect settings which are displayed within the digital display panel. The digital display will deactivate if no buttons are pressed for 5 seconds.

Note: The remote control is intended only for the functional operation to the product, it cannot be used to convert the Fahrenheit and Celsius temperature display or adjust the temperature setting.


1. Power button
2. Flame control button
3. Thermostat control button
4. Timer control button
5. Remote signal receiver
6. Digital display panel



USING THE POWER BUTTON


 Pressing the power button (1) once turns the power on. The display will activate and show the last chosen heat and flame effect settings. Pressing the power button (1) again will turn the power off.

USING THE FLAME BUTTON

 Pressing the flame control button (2) cycle through the different flame effect brightness settings. Reference the table for more information.

BUTTON PRESS	BRIGHTNESS	DISPLAY
1	Max	5
2	High	4
3	Med	3
4	Low	2
5	Min	1


USING THE HEAT BUTTON

 Pressing the heat button (3) once turns the heater fan on. Continue to press the heat button to cycle through the 12 different heat settings. Once the desired room temperature is reached the heater fan will deactivate. Reference the table for more information. To display the temperature setting in either Fahrenheit or Celsius, press and hold the heat button on the touchpad control for 5 seconds. The display will beep and switch between Fahrenheit or Celsius.

BUTTON PRESS	°F DISPLAY	°C DISPLAY
1	ON	ON
2	62	17
3	64	18
4	66	19
5	68	20
6	70	21
7	72	22
8	74	23
9	76	24
10	78	26
11	80	27
12	82	28

Note: "ON" denotes high heat and will not shut off automatically.

USING THE TIMER BUTTON

 Pressing the timer control button (4) will set the timer for a half hour and each subsequent press of the timer button will increase the timer function in 1 hour increments. This interval period is shown in the display (6). The set intervals range from .5 - 9 hours.

BUTTON PRESS	TIMER INTERVAL	DISPLAY
1	.5 hour	30
2	1 hour	1
3	2 hour	2
4	3 hour	3
5	4 hour	4
6	5 hour	5
7	6 hour	6
8	7 hour	7
9	8 hour	8
10	9 hour	9

Maintenance Instructions



WARNING: Always disconnect from the power supply before cleaning the heater. First turn off the main power. Then remove the electrical plug from the wall outlet.

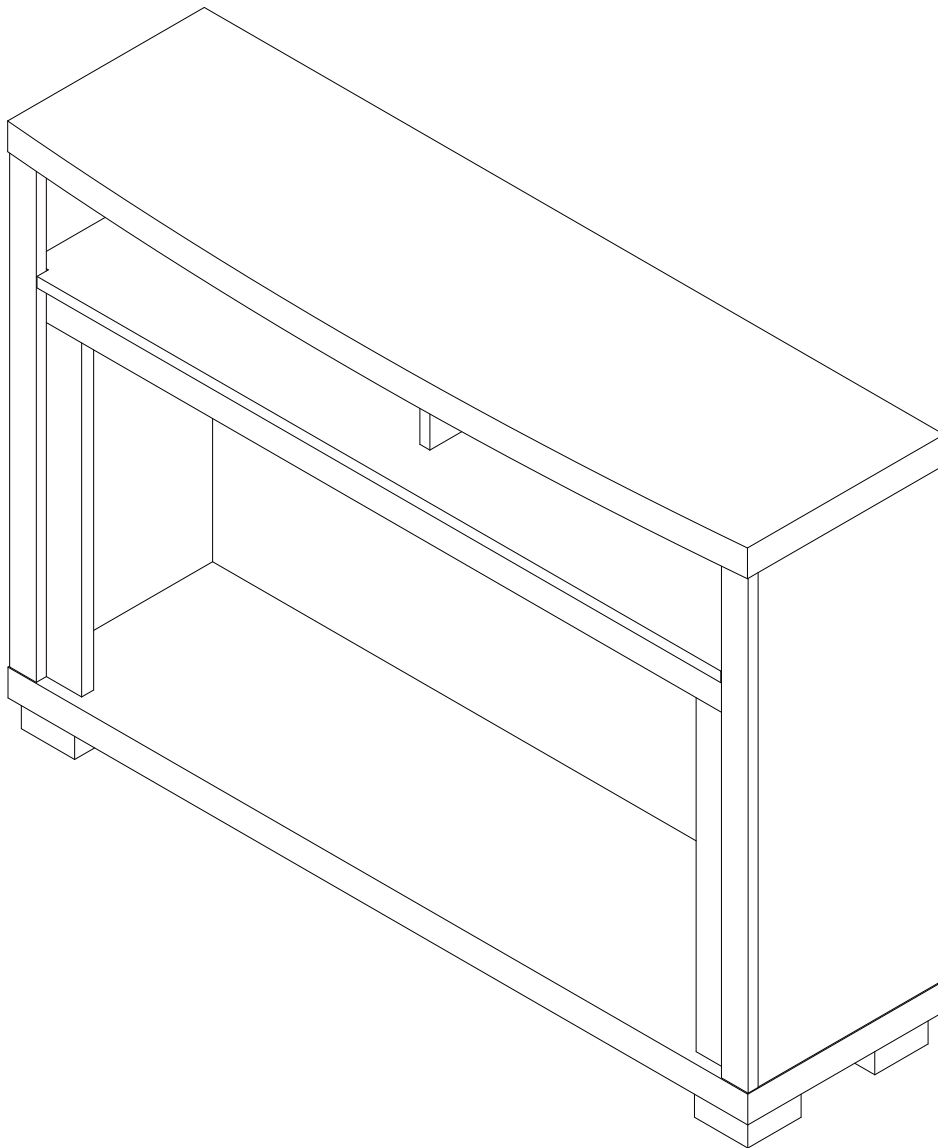


WARNING: Do not use this fireplace insert if any part of it has been under water. Immediately call a qualified service technician to inspect the firebox and replace any part of the electrical system which has been under water.

The blower motor and flame motor are pre-lubricated for a durable using time and need no further lubrication or maintenance. To remove any accumulation of dust or fluff the soft brush attachment of a vacuum cleaner should occasionally be used to clean the outlet grille of the fan heater.

- Use a soft, clean cloth that will not scratch the surface when dusting.
- Use a clean soft cloth dampened with warm water to clean the fireplace surface. DO NOT use household or abrasive cleaners, as these products may damage the surface.
- When cleaning the glass viewing screen use a non-abrasive damp cloth with liquid cleaner or soft soap if necessary; DO NOT use cleaning powders or any other substance with abrasives since these substances will scratch glass.
- Under no circumstances should this product be operated with a broken or chipped glass panel.
- Do not strike or slam the glass.
- In the event that your appliance is stained or otherwise damaged during use, we recommend that you call a professional to repair your furniture.
- When not in use please unplug the cord from the outlet to prevent any damage or accidental plug of the cord.
- The blower and flame motor are pre-lubricated for a durable using time and need no further lubrication or maintenance. Dust particles will accumulate on/in the electric fireplace, so periodic cleaning/vacuuming of the electric fireplace is recommended.
- All cleaning and minor servicing-lubrication external adjustments, and the like-should be performed by the user, and should be performed by qualified personnel.


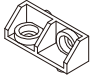
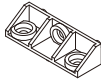
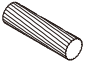



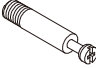


ASSEMBLY STEPS



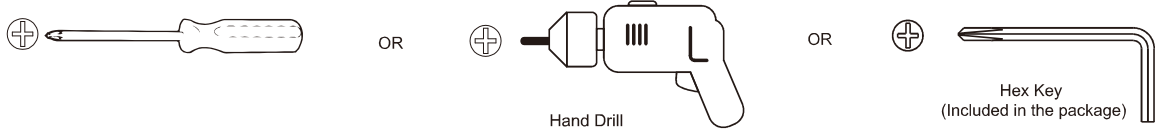
PART IDENTIFICATION:

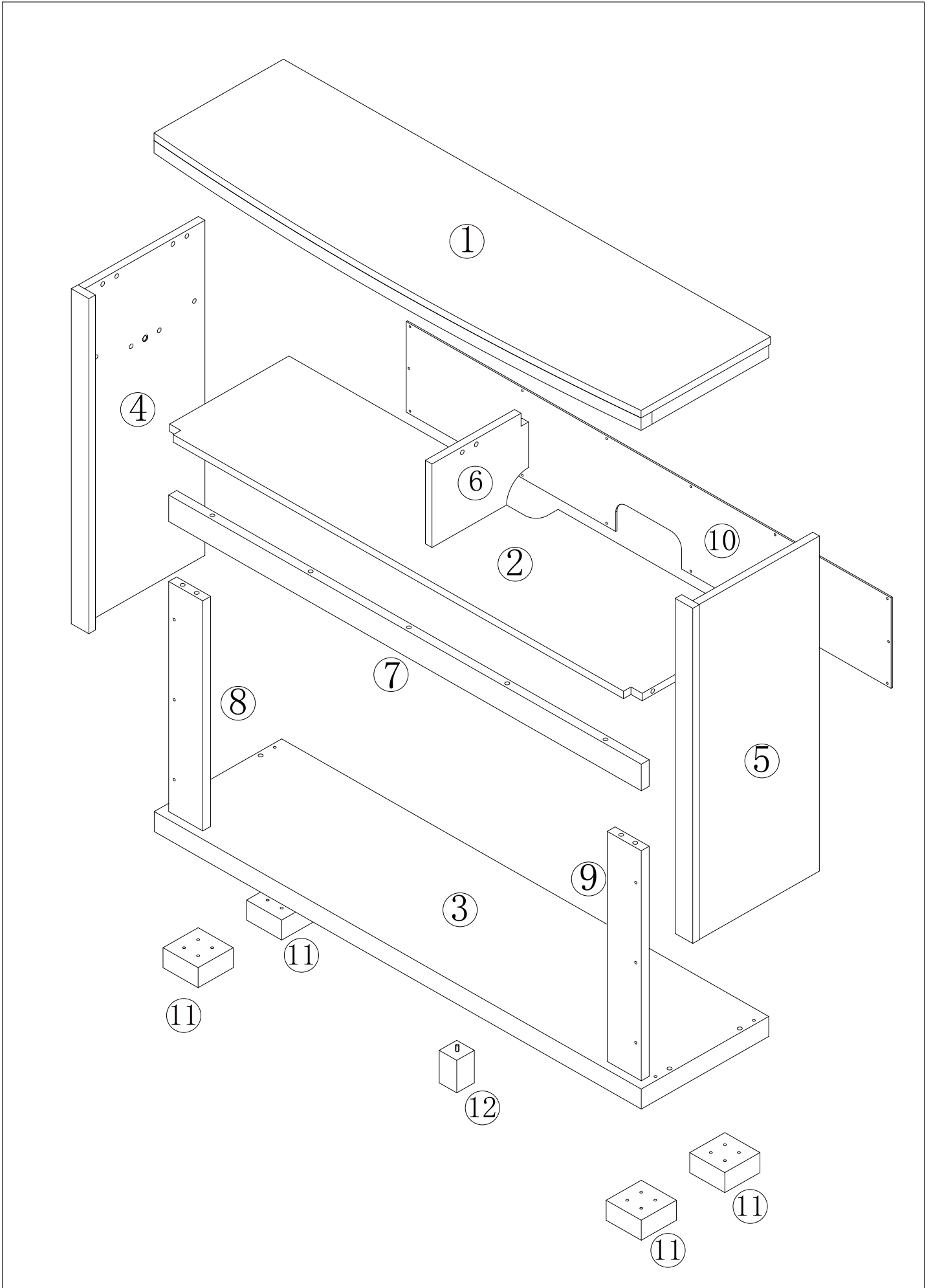
CODE	DESCRIPTION	QTY
1	Top Panel	1
2	Media Shelf	1
3	Case Panel	1
4	Left Side Panel	1
5	Right Side Panel	1
6	Middle Vertical Panel	1
7	Up Trim Panel	1
8	Left Trim Panel	1
9	Right Trim Panel	1
10	Back Panel	1
11	Foot Panel-1	4
12	Foot Panel-2	1

Hardware Parts List:


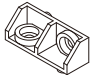
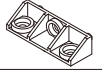
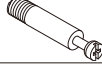
CODE	PICTURE	DESCRIPTION	QTY
A		Bolt	16
B		Plastic Connector	5
C		Plastic Connector-long	2
D		Wood Dowel	14
E		Screw-Short	6
F		Screw-Long	24
G		Tapping Screw	14
H		Metal Dowel	3
J		Metal Cam	3
K		Touch-up pen (Please use the enclosed touch-up pen so instantly cover nicks and scratches on the surface and edges.)	1

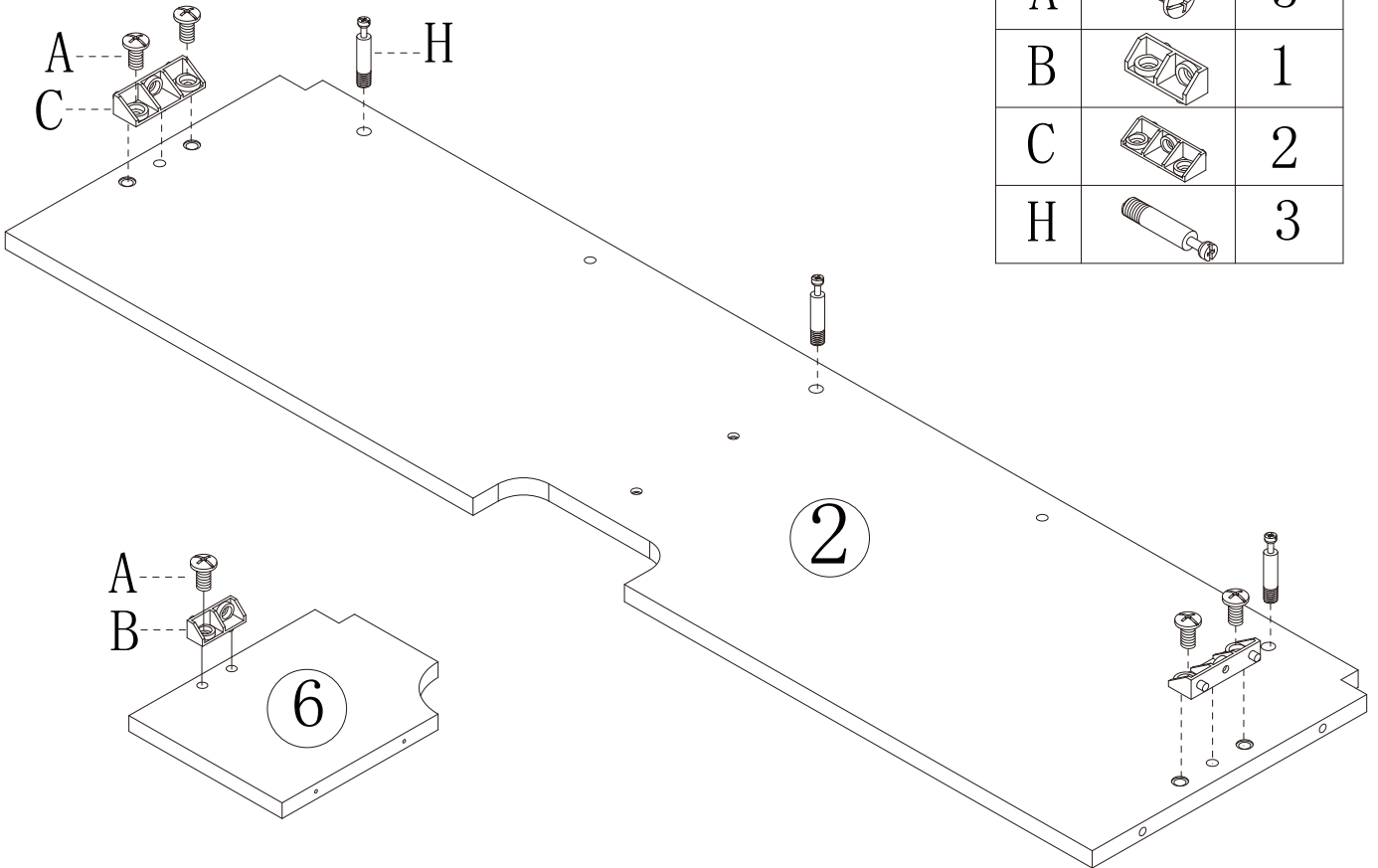
Assembly Tools Required:



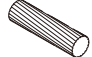
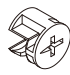


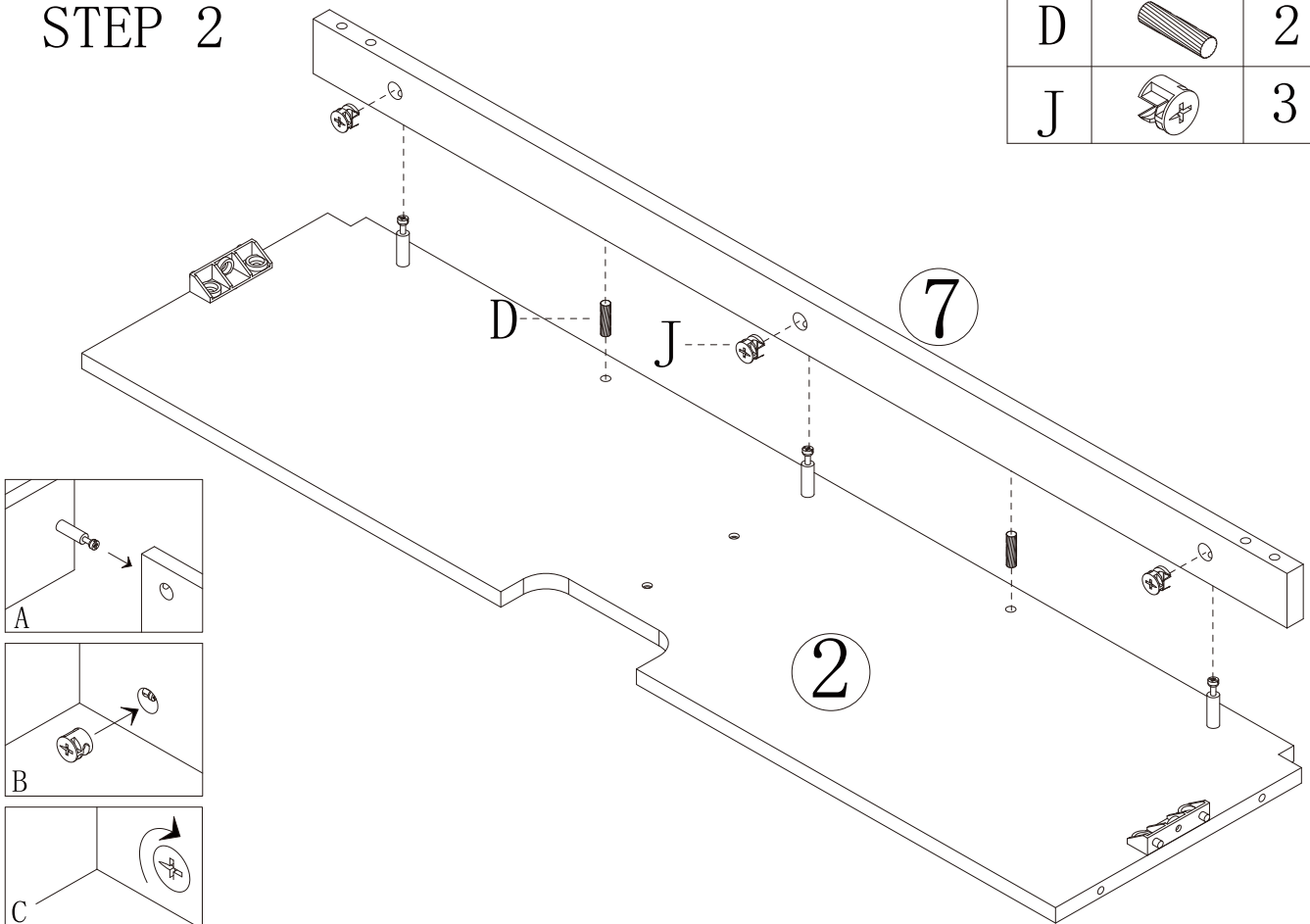
STEP 1

A		5
B		1
C		2
H		3





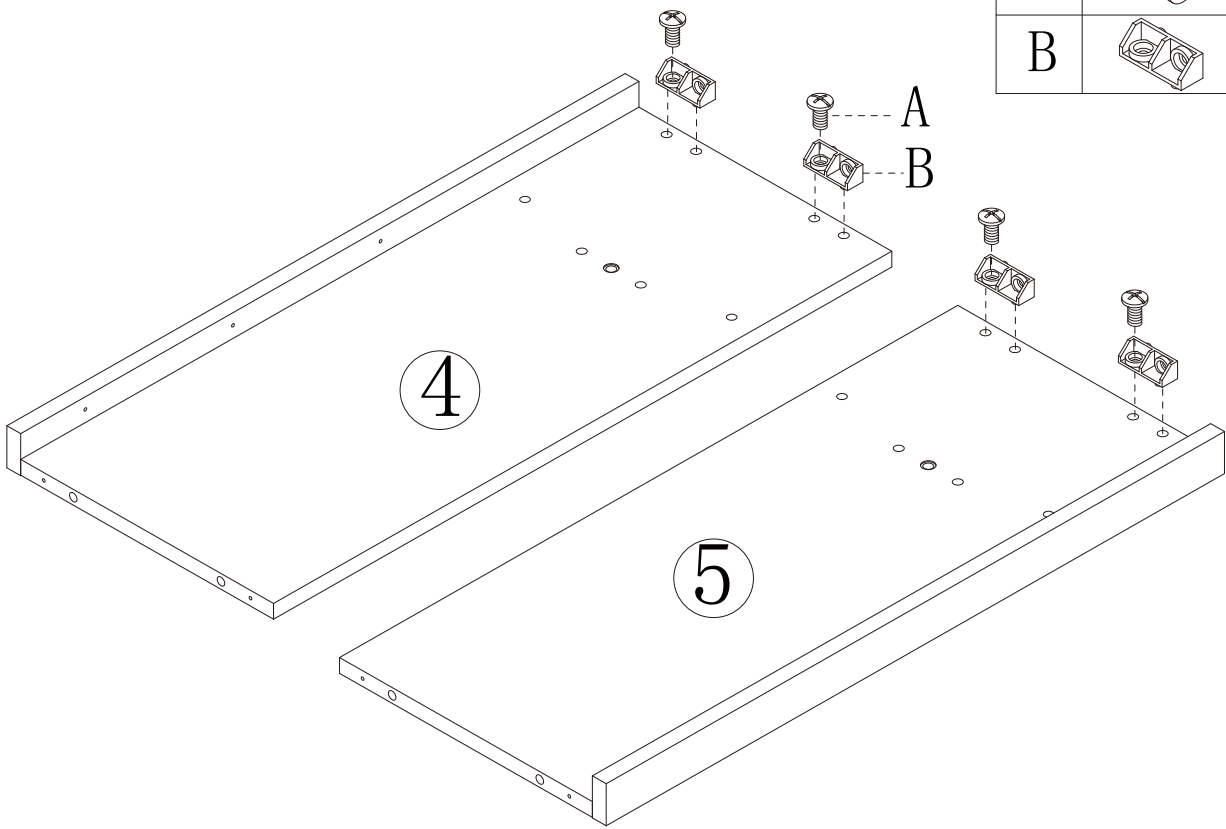
STEP 2

D		2
J		3




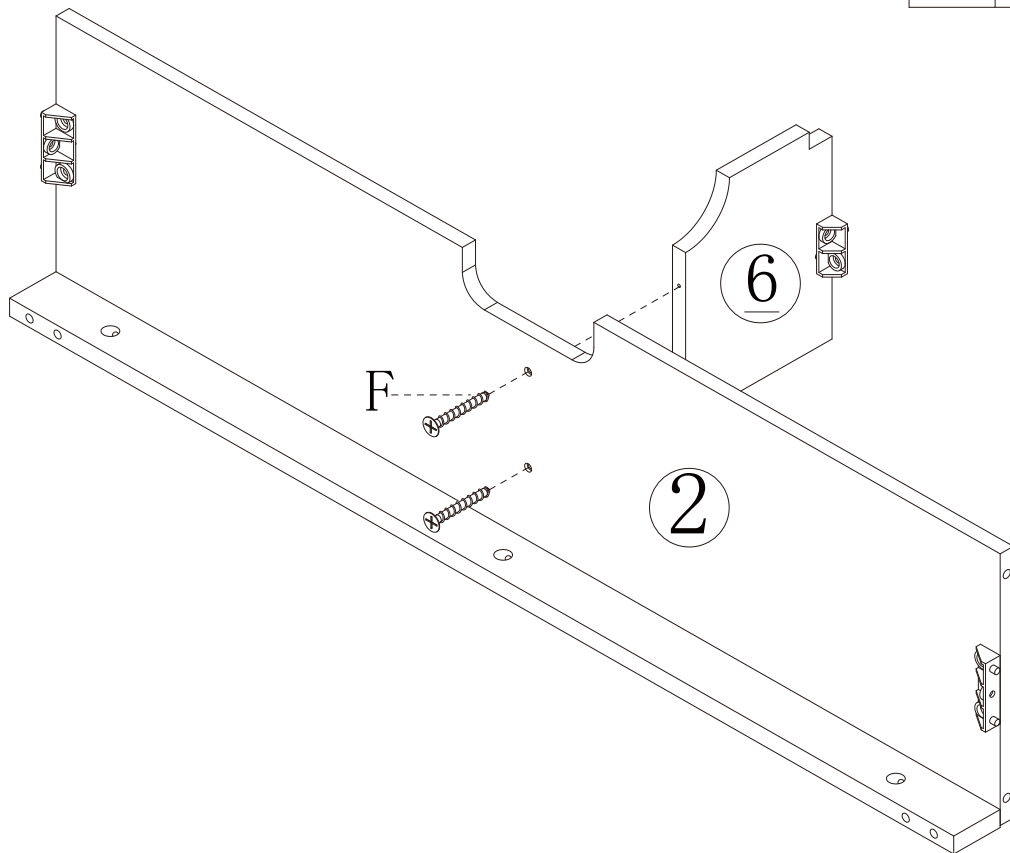
STEP 3

A		4
B		4

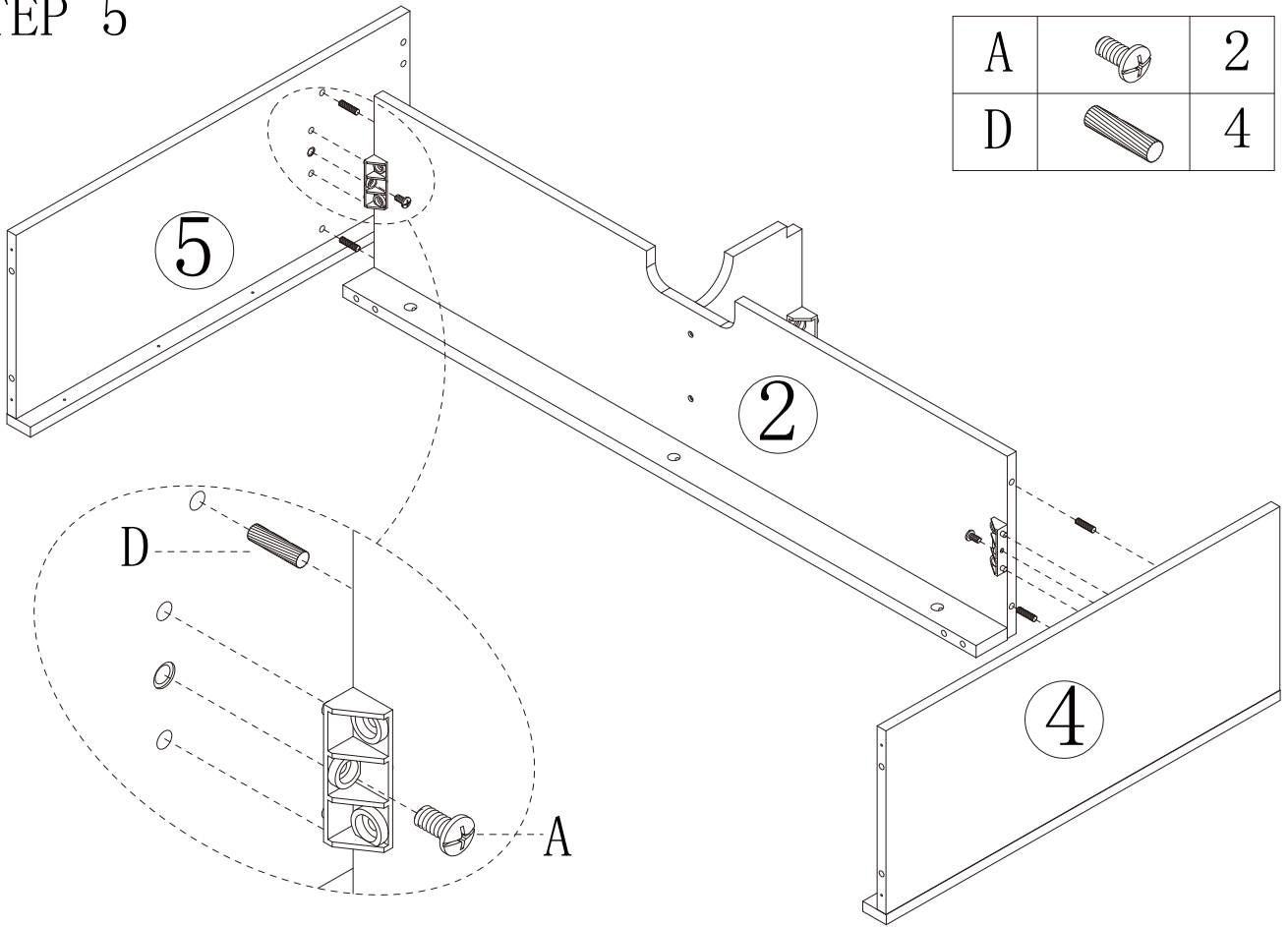


STEP 4

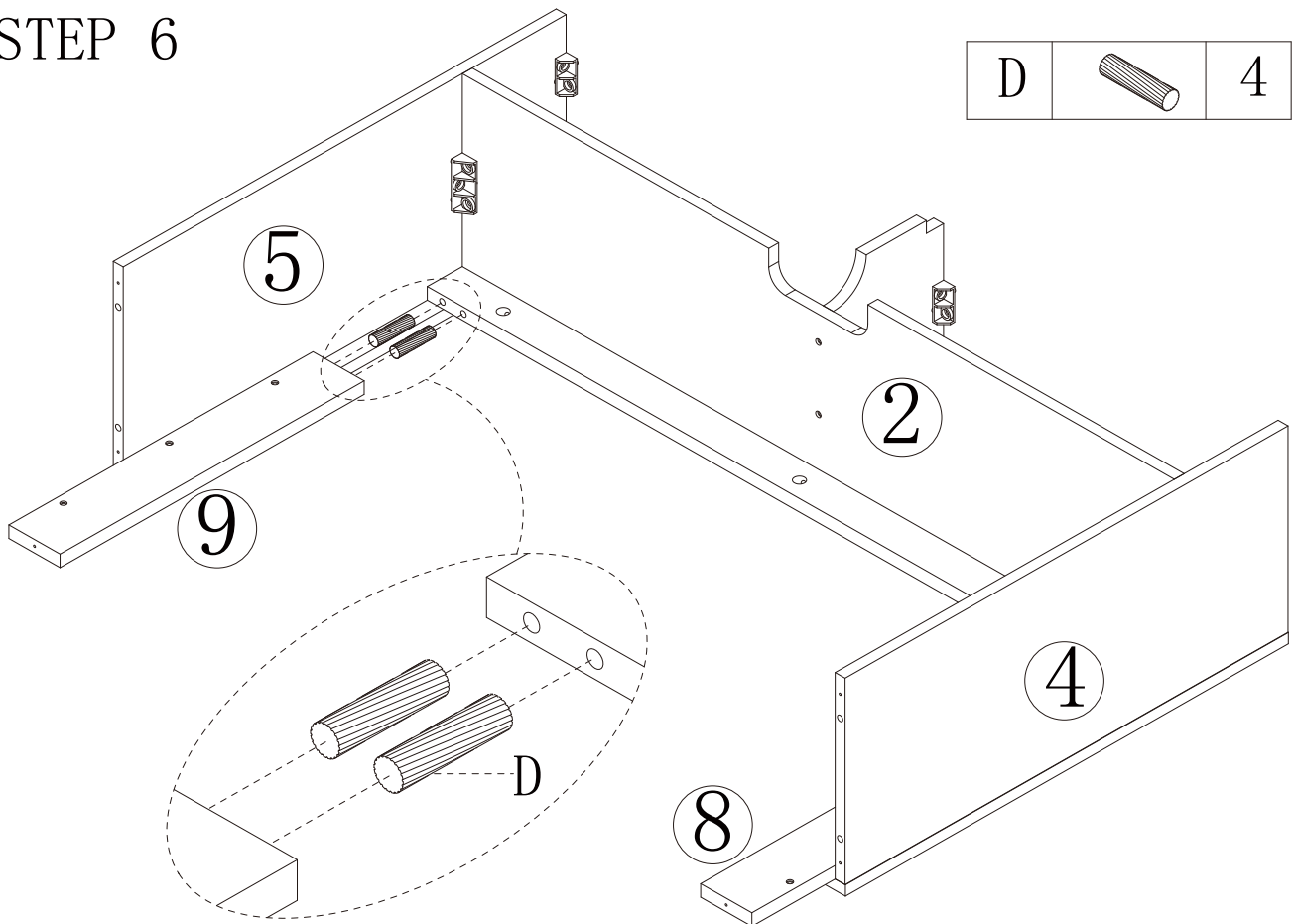
F		2
---	---	---




STEP 5

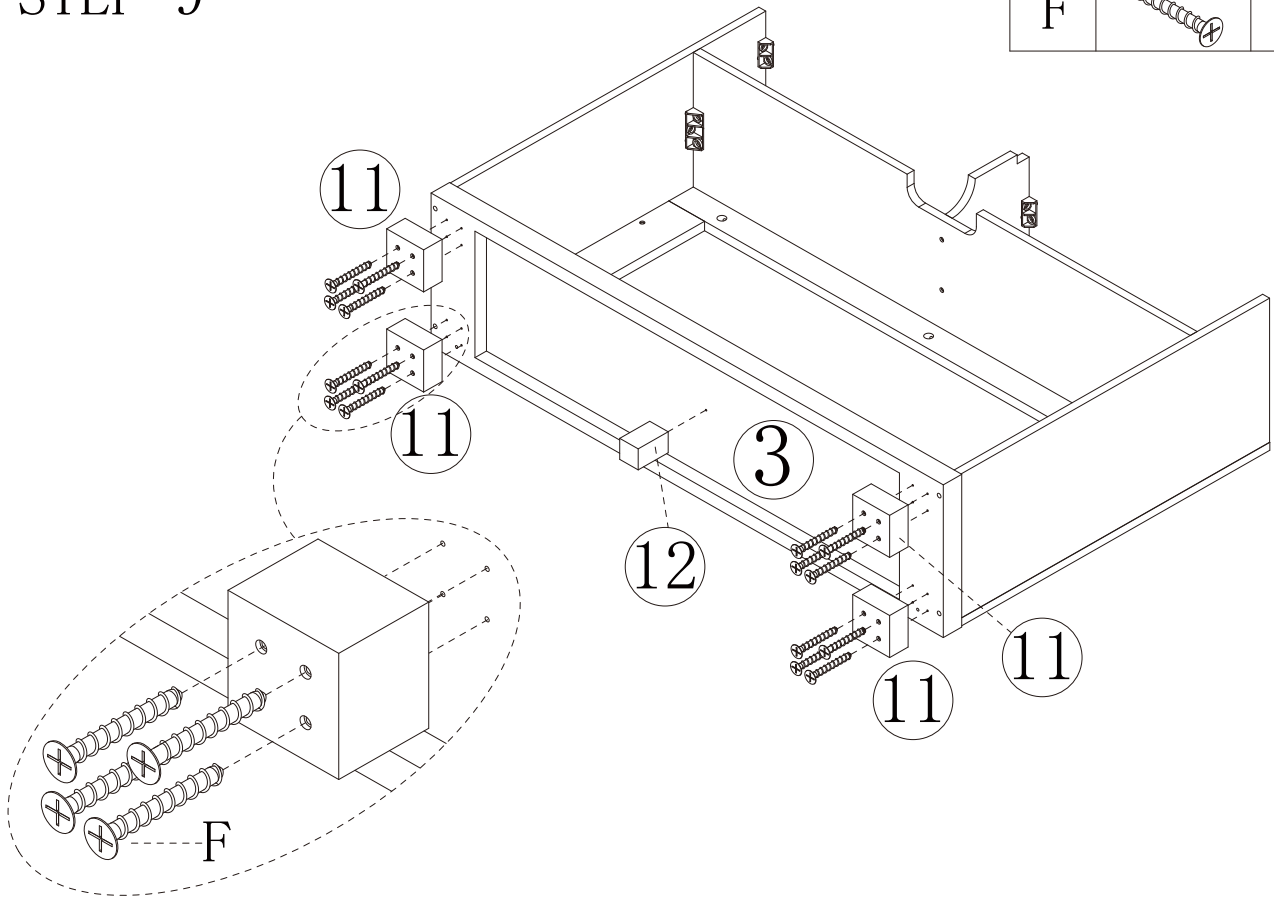


STEP 6




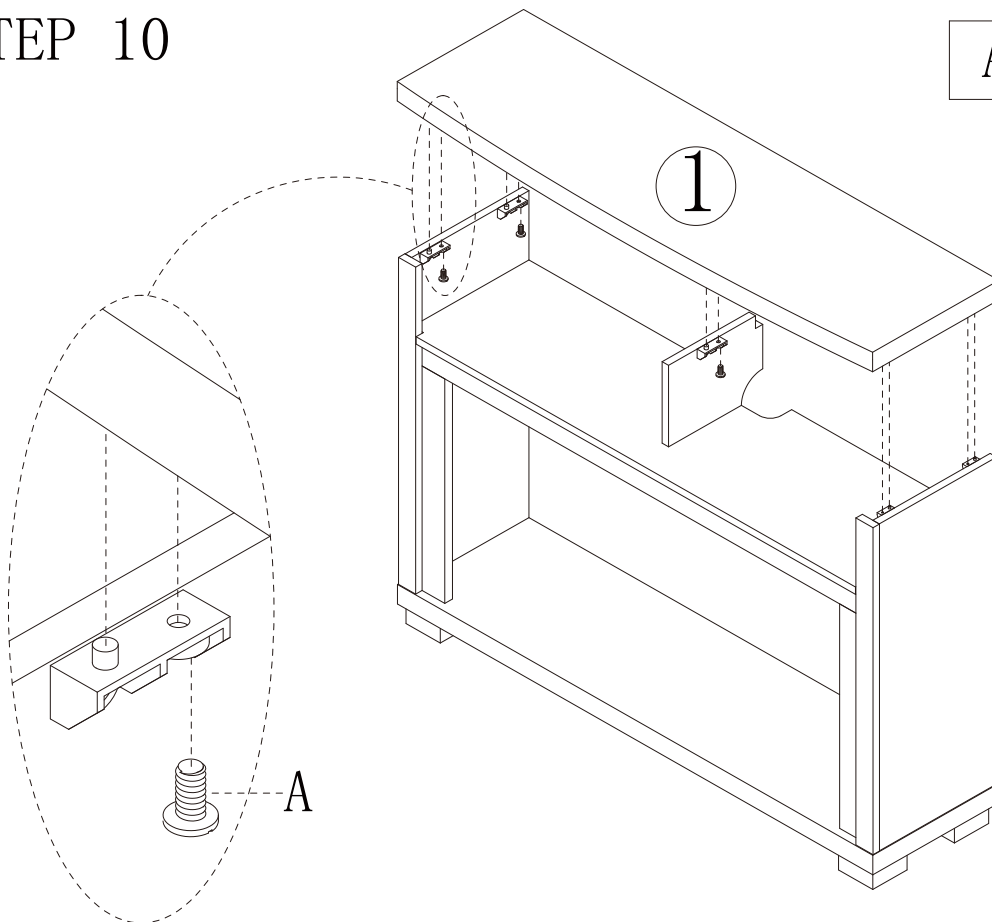
STEP 9

F		16
---	---	----




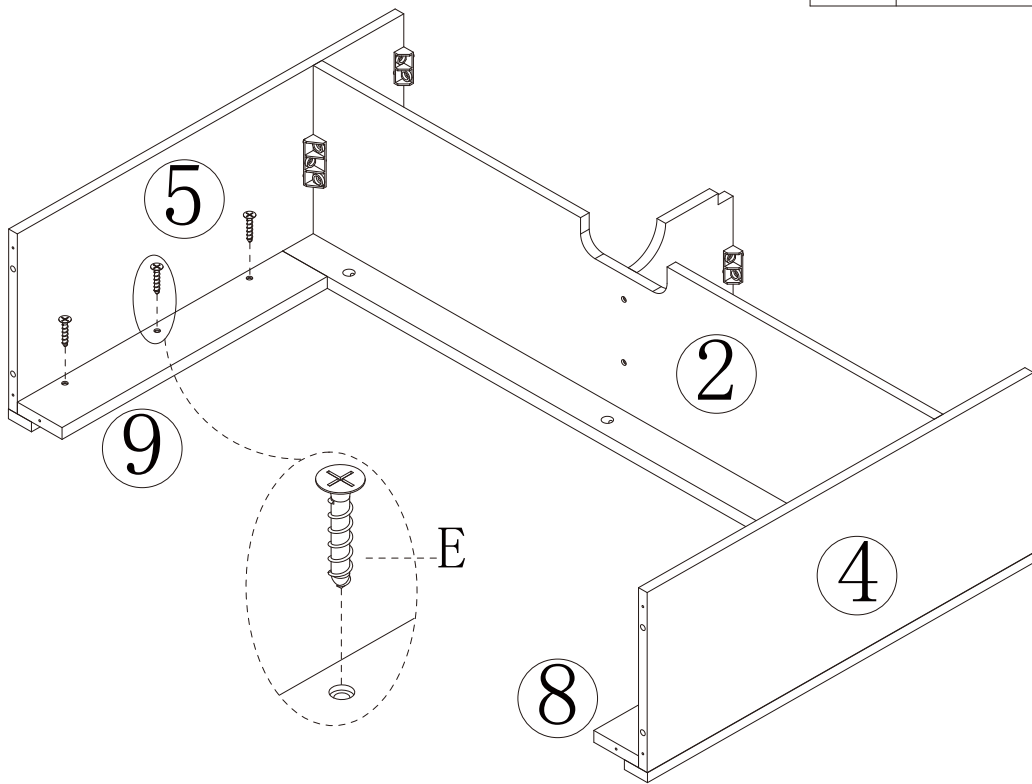
STEP 10

A		5
---	---	---

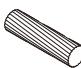
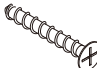


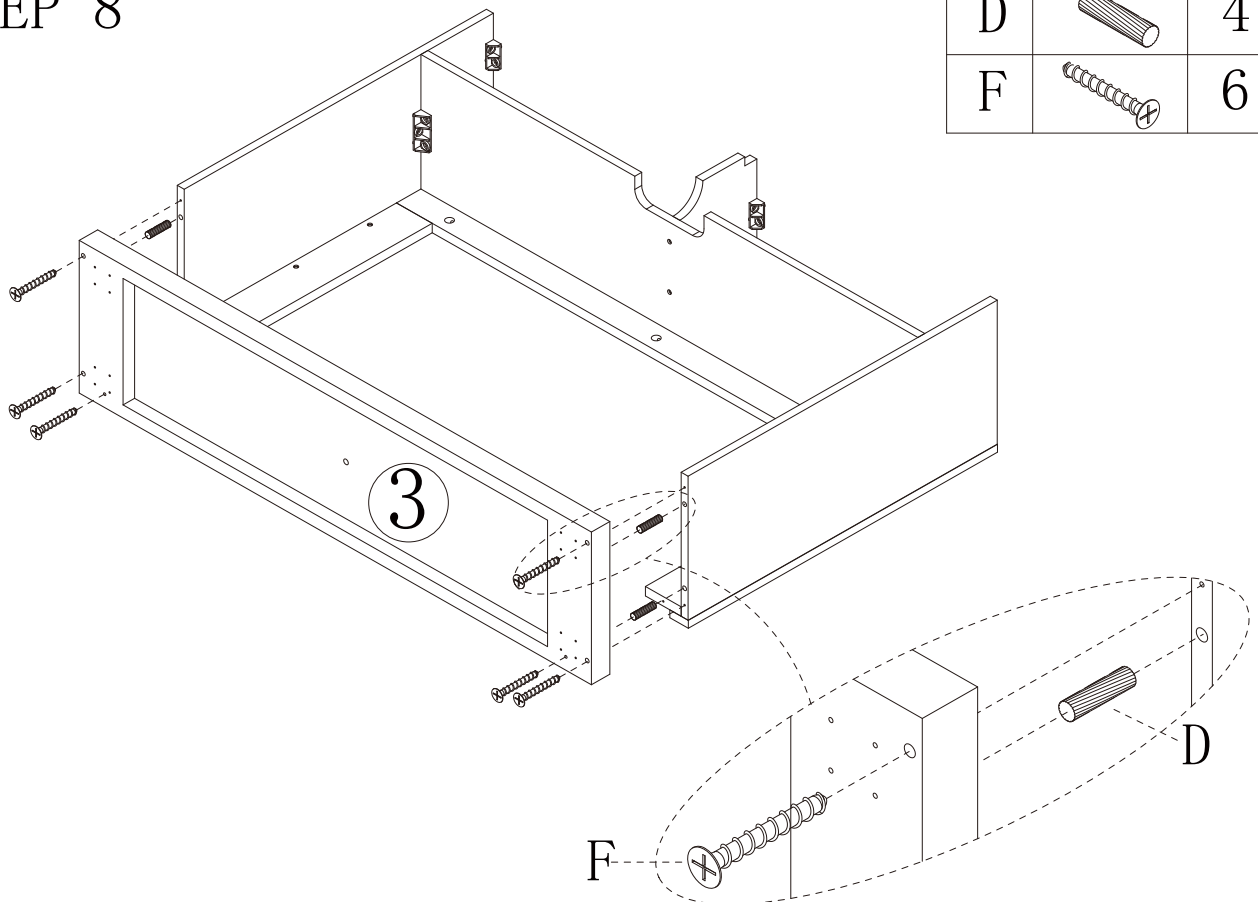
STEP 7

E		6
---	---	---



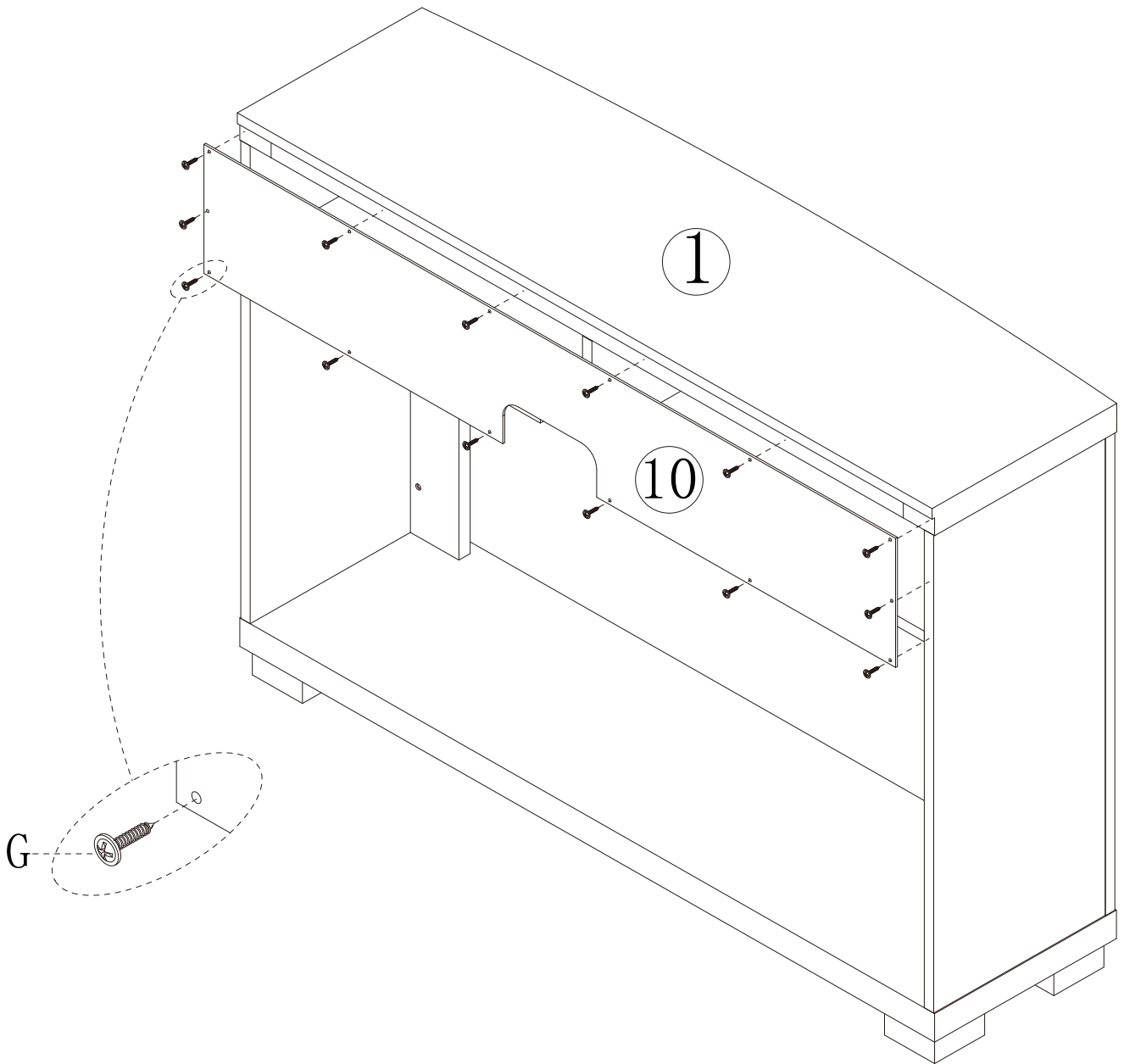
STEP 8

D		4
F		6



STEP 11

G		14
---	---	----



US



001-877-644-9366
customerservice@aosom.com

CA



001-855-537-6088
customerservice@aosom.ca

UK



0044-800-240-4004
enquiries@mhstar.co.uk

DE



0049-(0)40-88307530
service@aosom.de

FR



0033-1-84166106
contact@aosom.fr

ES



0034-931294512
atencioncliente@aosom.es

IT



0039-0249471447
clienti@aosom.it