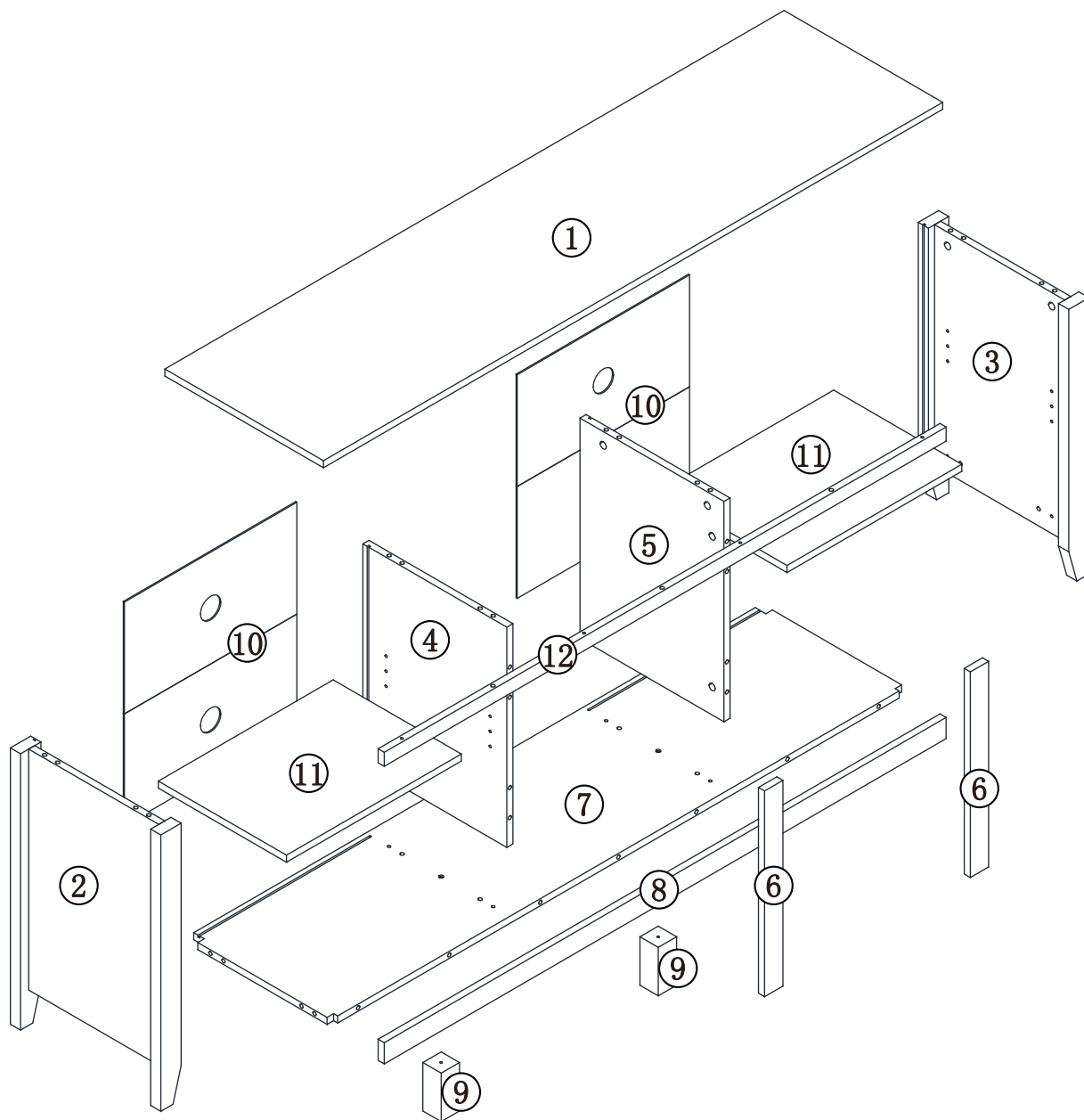



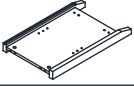
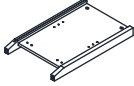
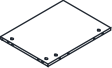
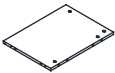

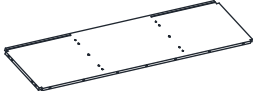


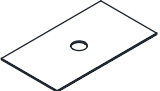

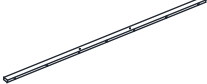
Please read these instructions and warranty information carefully before use and keep them properly for future reference.

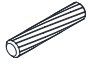
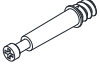





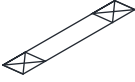
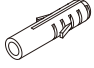



ASSEMBLY INSTRUCTION



PACKING DETAILS : TOTAL 2 BOX

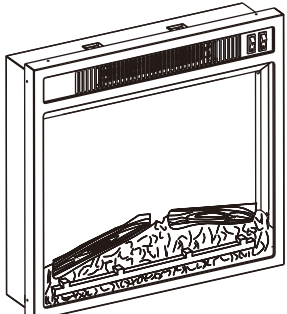
BOX 1/2:

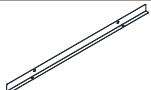
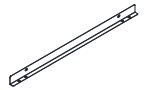
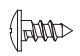

PARTNO.	PARTS	QTY
①		x1
②		x1
③		x1
④		x1
⑤		x1
⑥		x2
⑦		x1
⑧		x1
⑨		x2
⑩		x2
⑪		x2
⑫		x1

PARTNO.	PARTS	QTY
Ⓐ		x26
Ⓑ		x20
Ⓒ		x20
Ⓓ		x2
Ⓔ		x6
Ⓕ		x6
Ⓖ		x8
Ⓗ		x2
Ⓘ		x2
Ⓙ		x4
Ⓚ		x12
Ⓛ		x12

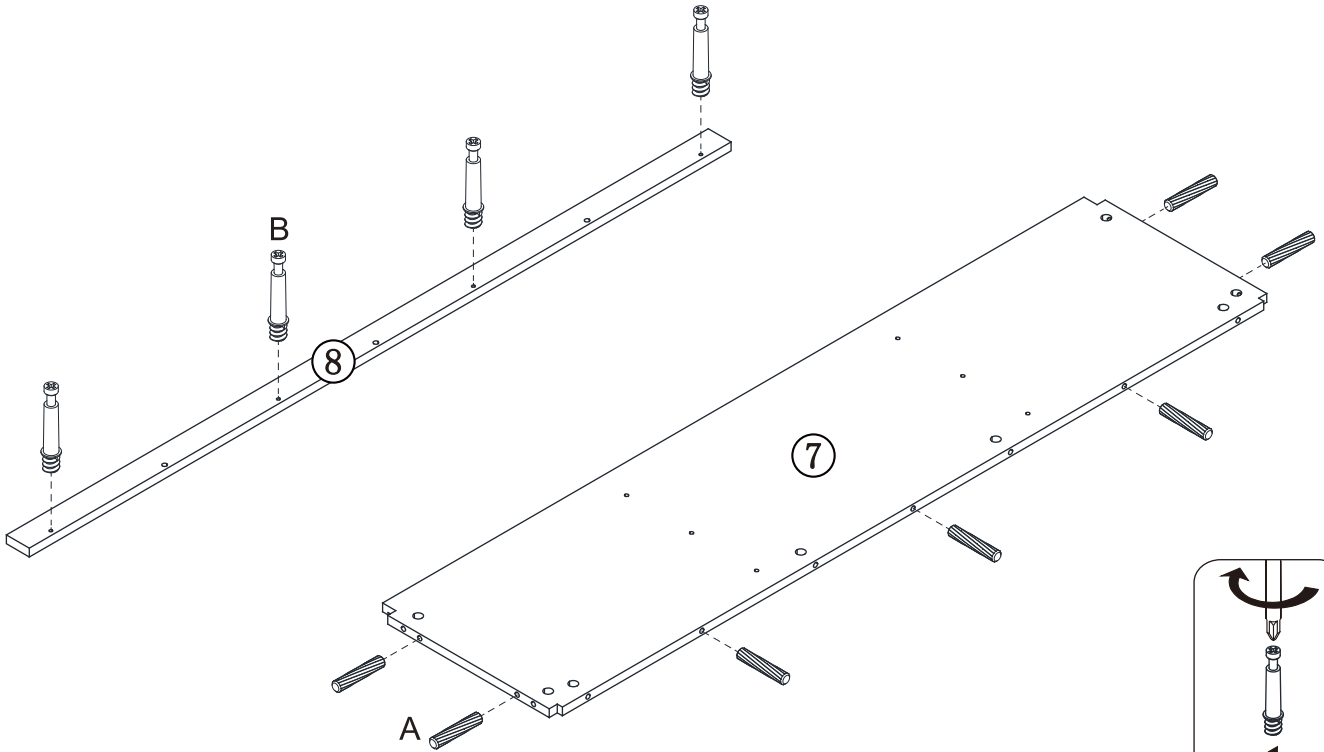
PACKING DETAILS : TOTAL 2 BOX

BOX 2/2:

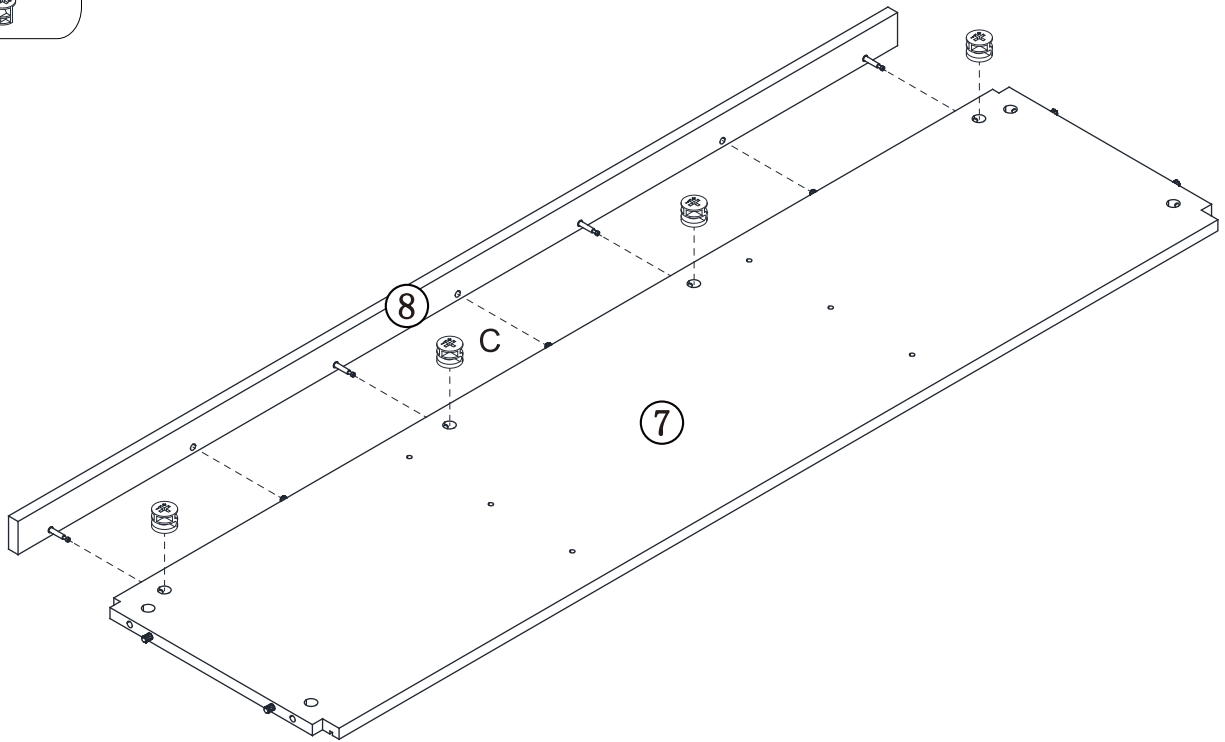
PARTS	QTY
	x1

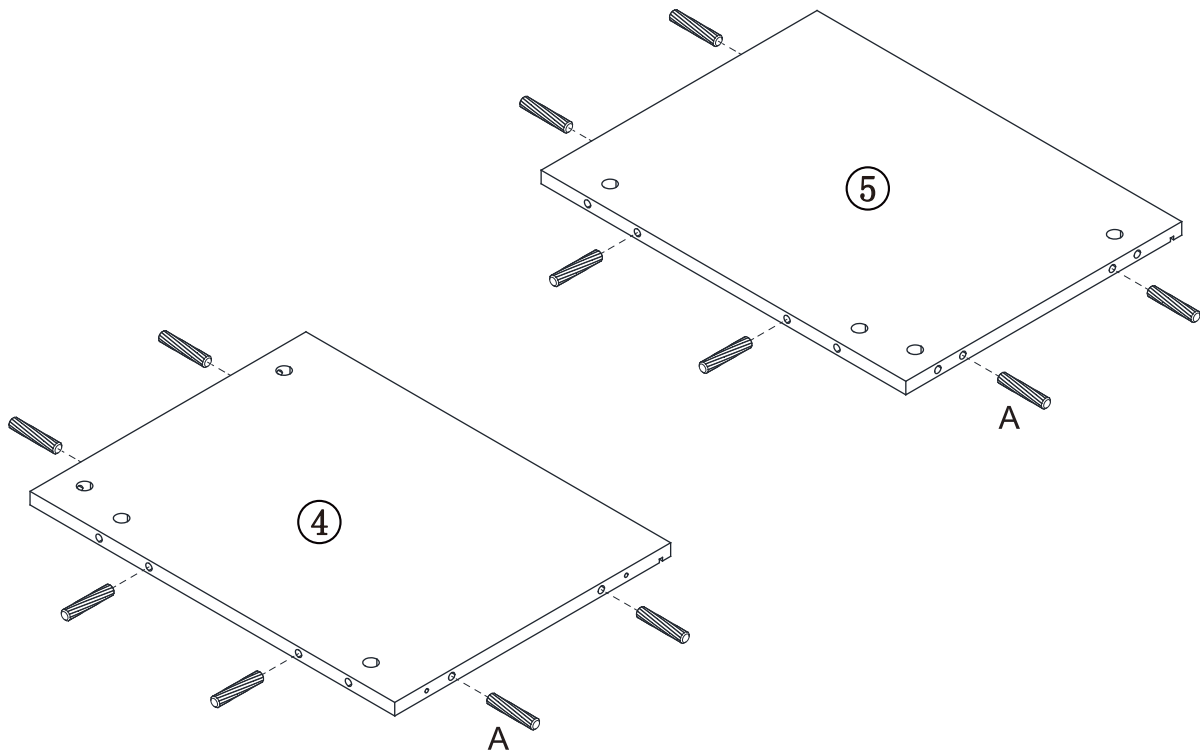
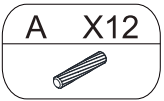
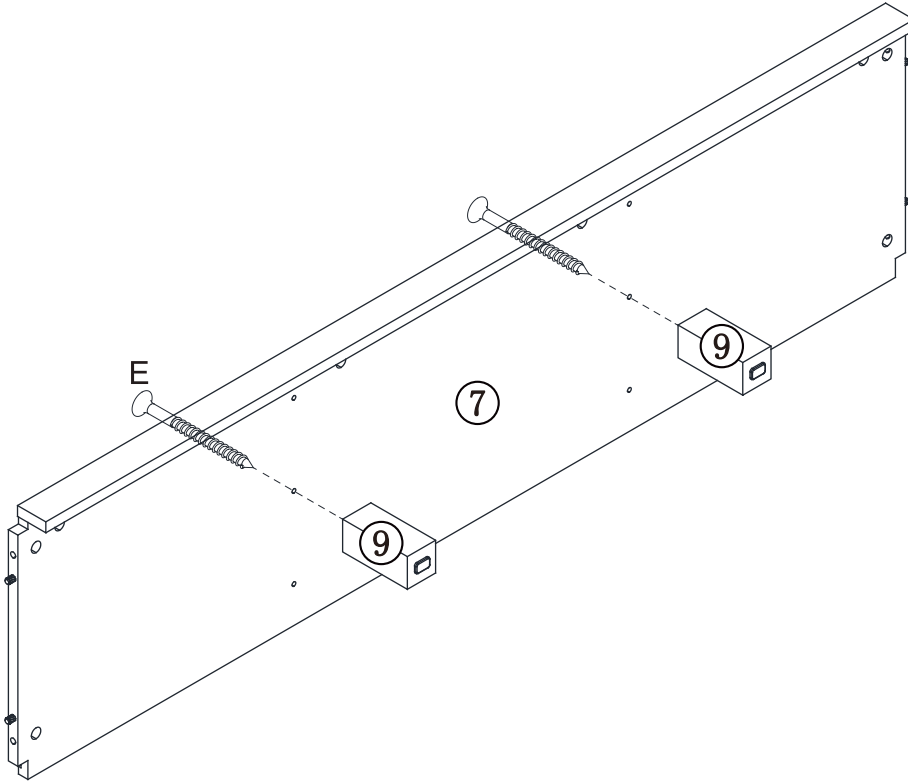
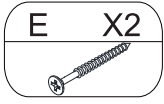
PARTNO.	PARTS	QTY
AA		x1
BB		x2
CC		x6+ 2extra
DD		x6+ 2extra

- A X7
- B X4

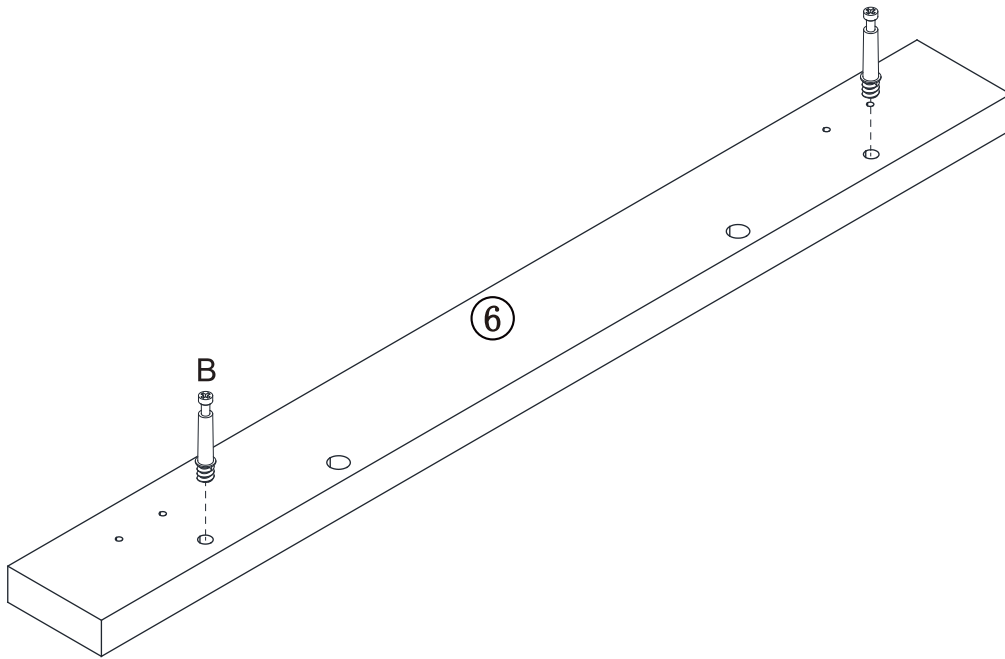


- C X4

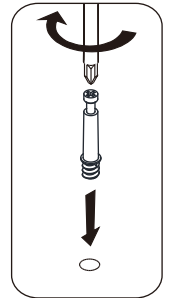




B X2

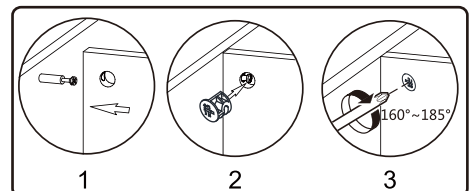
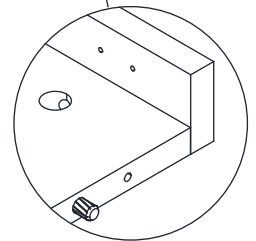
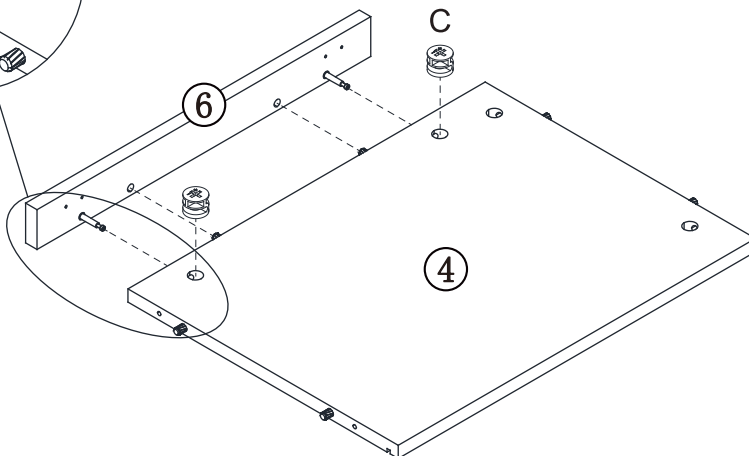
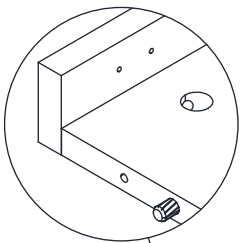
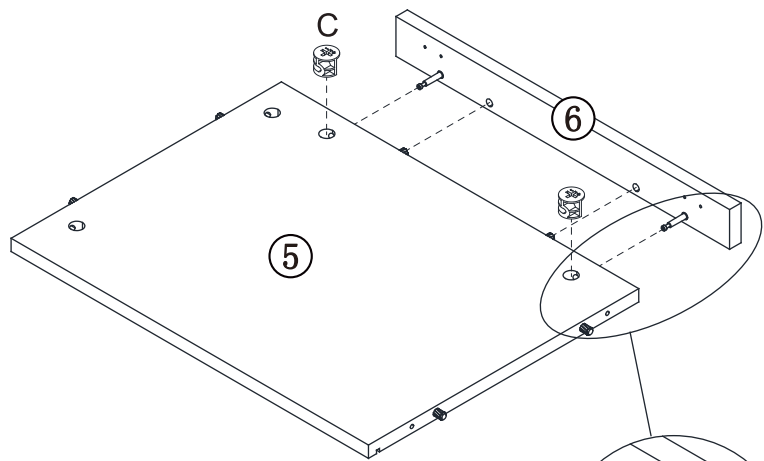


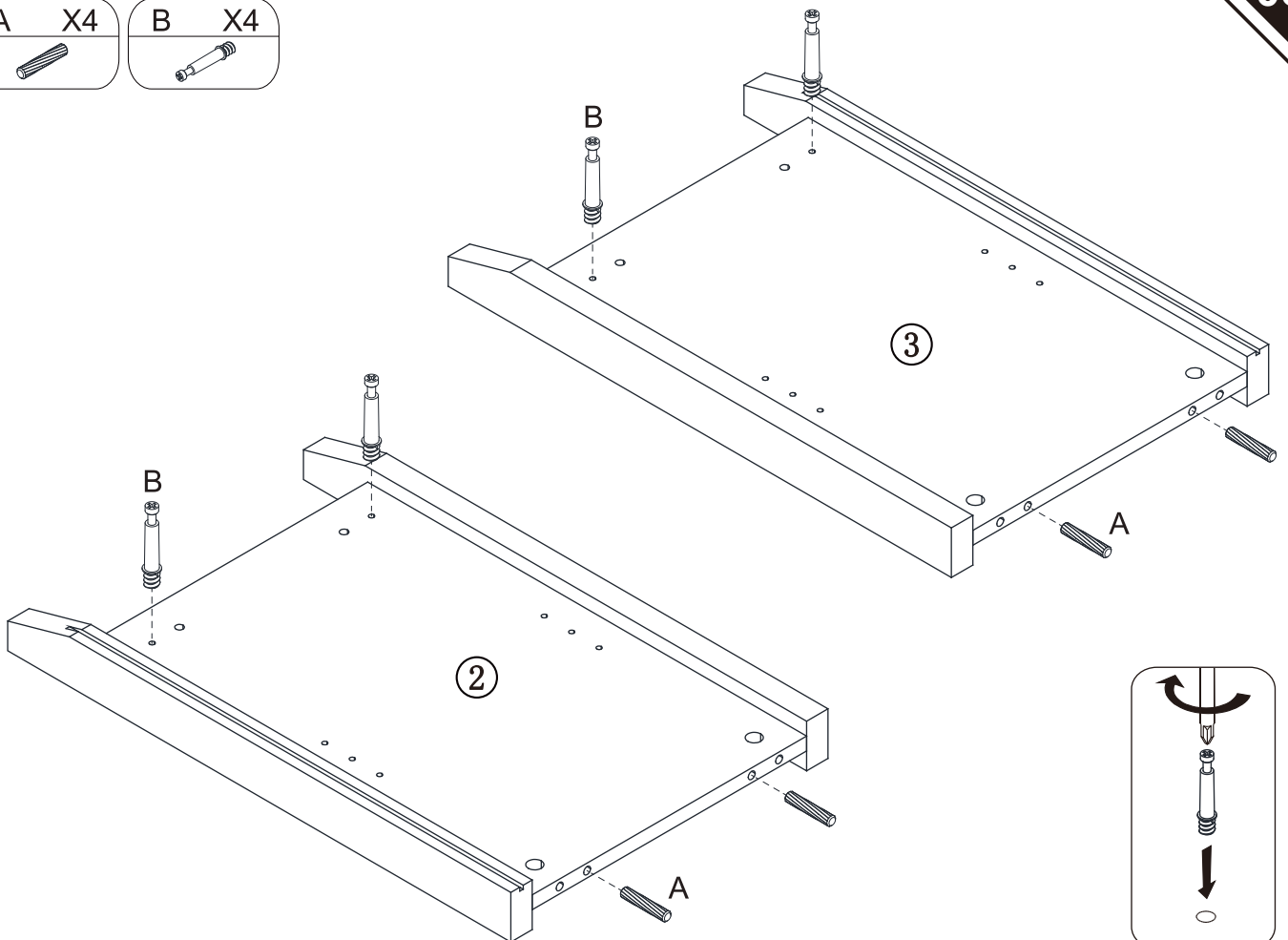
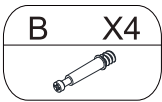
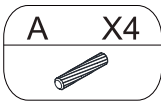
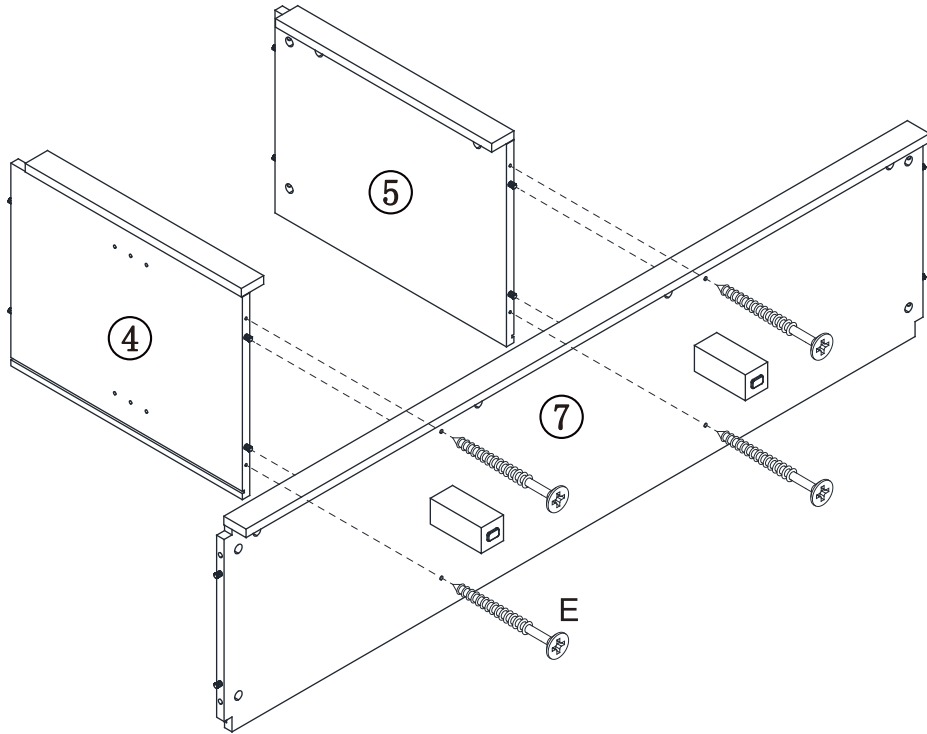
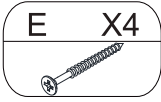
x2




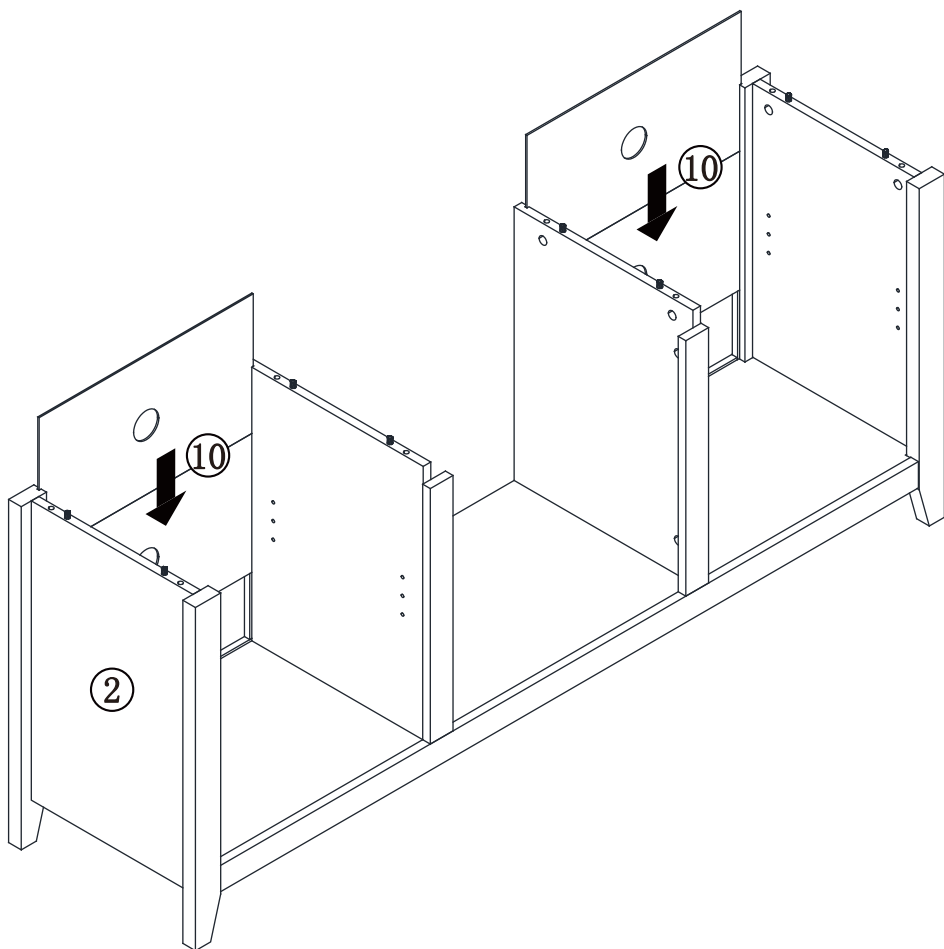
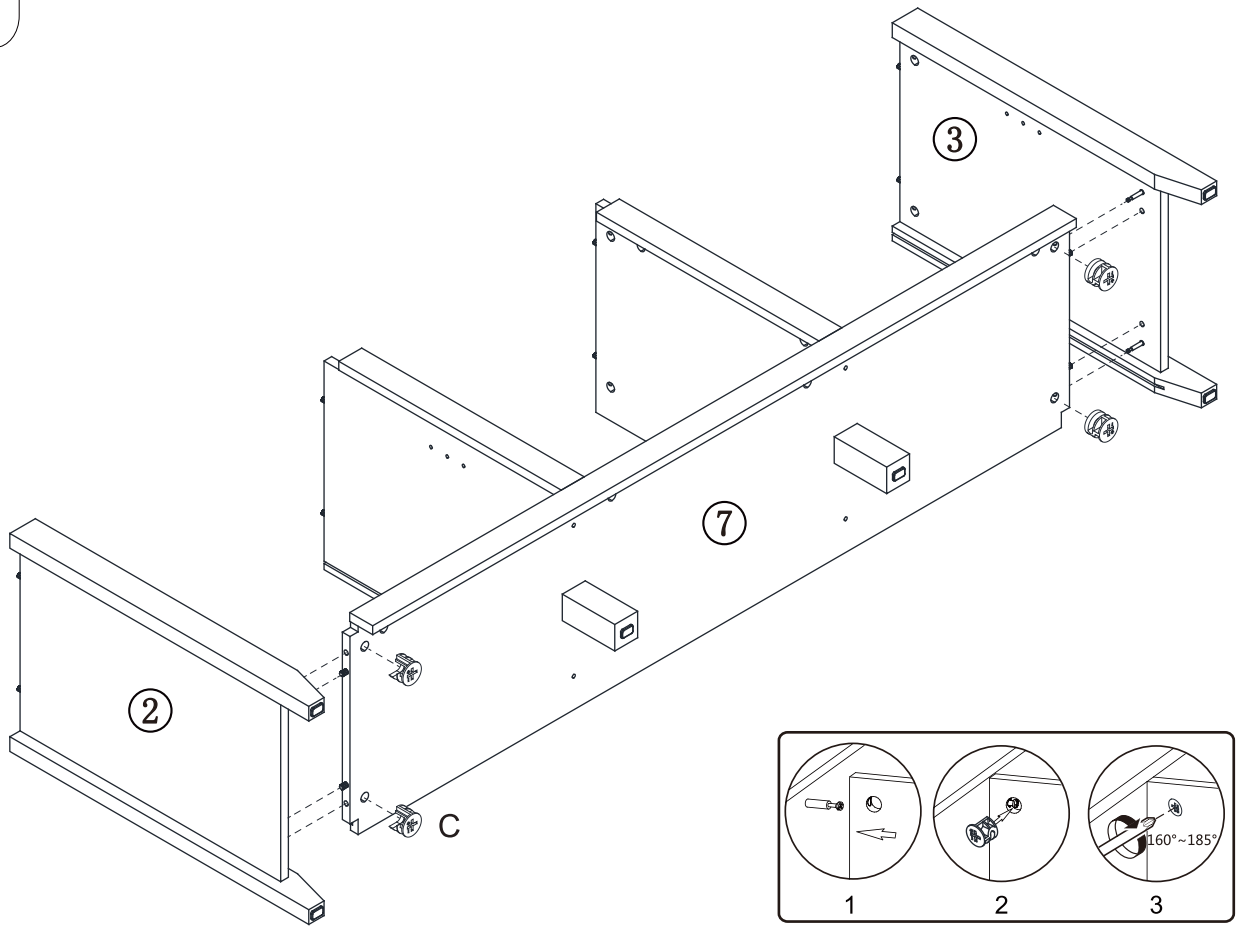
x2

C X4

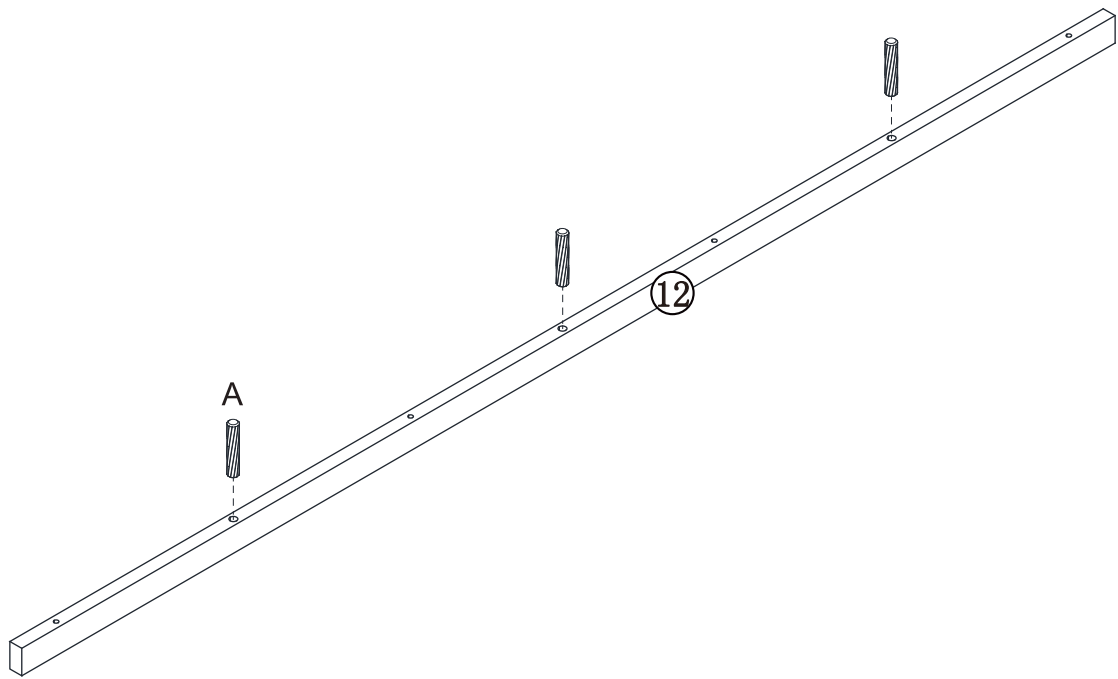




C X4


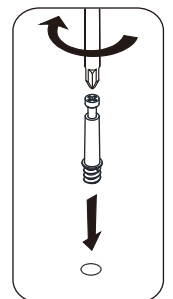
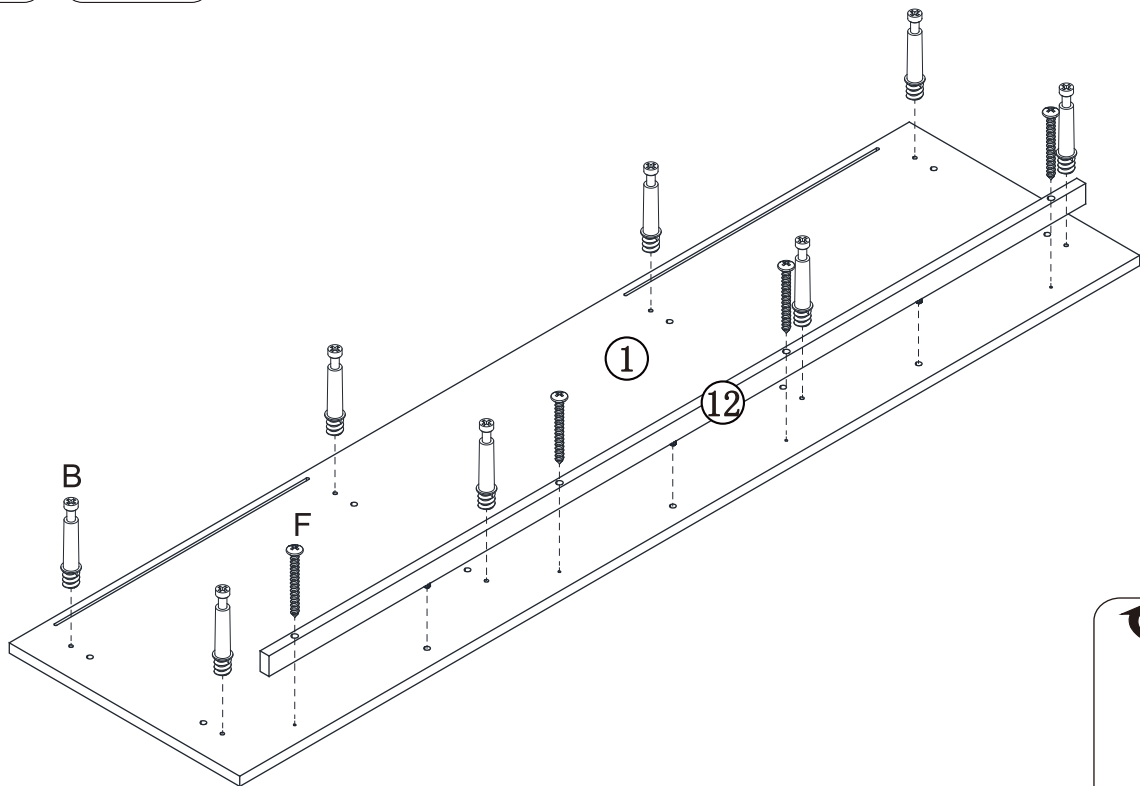


A X3

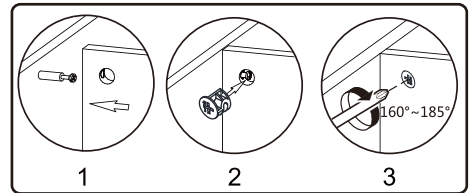
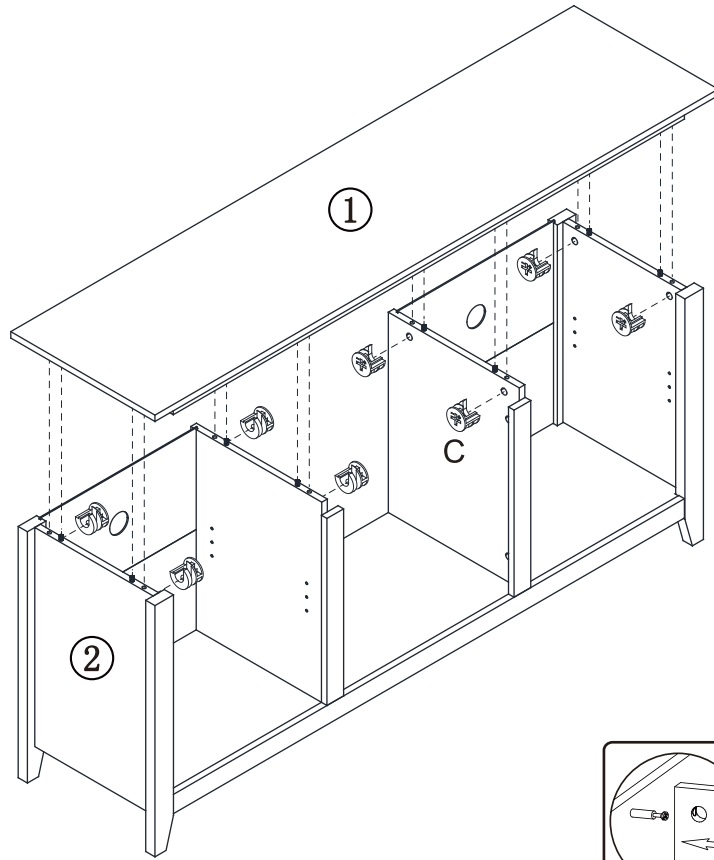


B X8

F X4



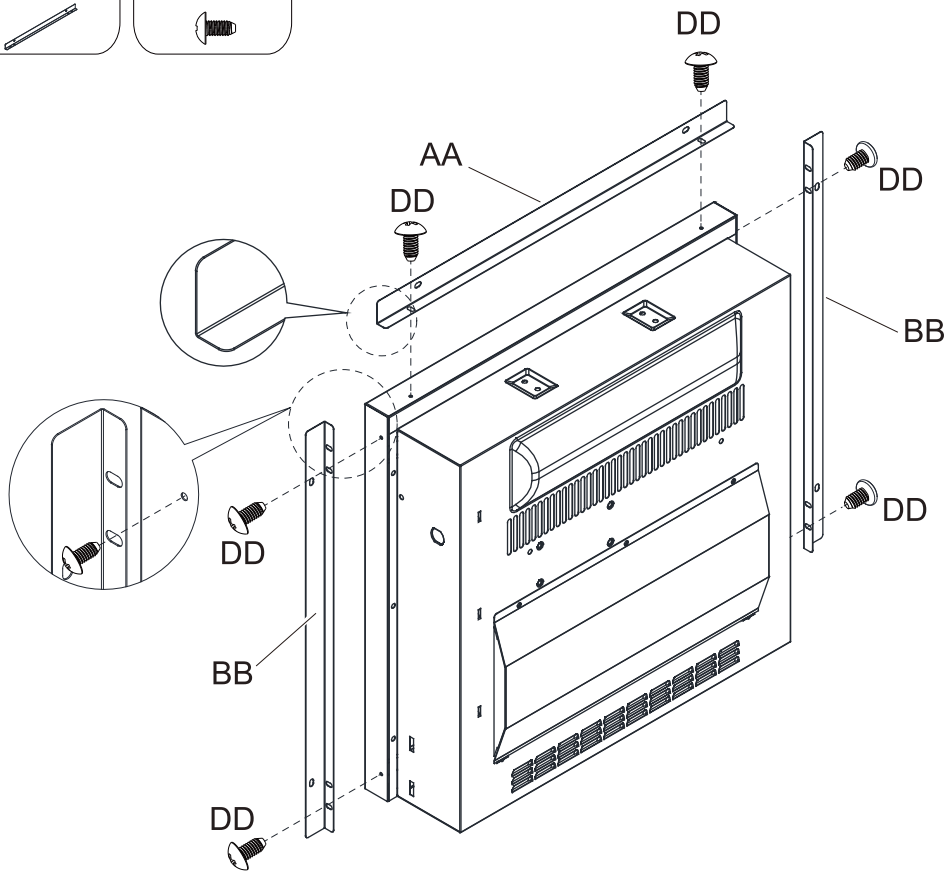
C X8

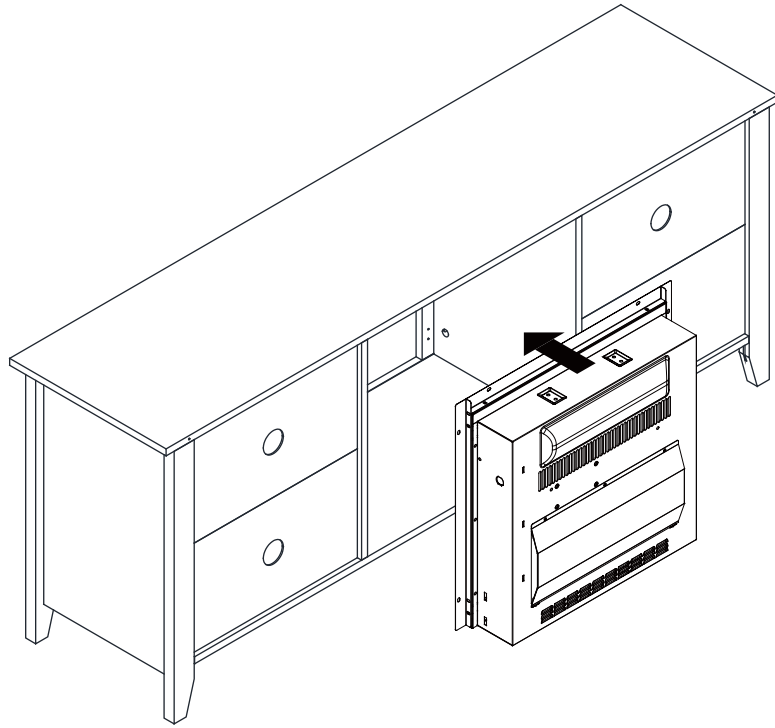



AA X1

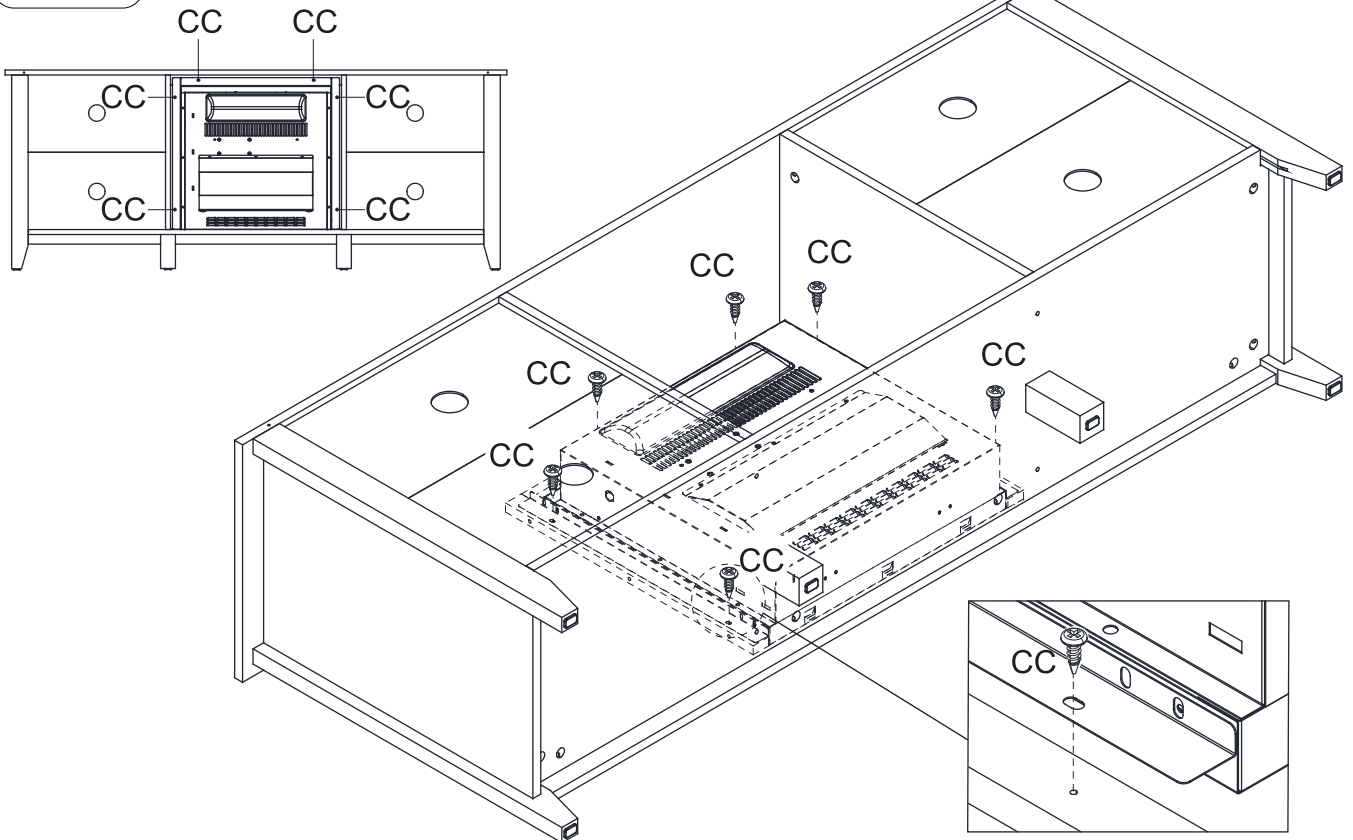
BB X2

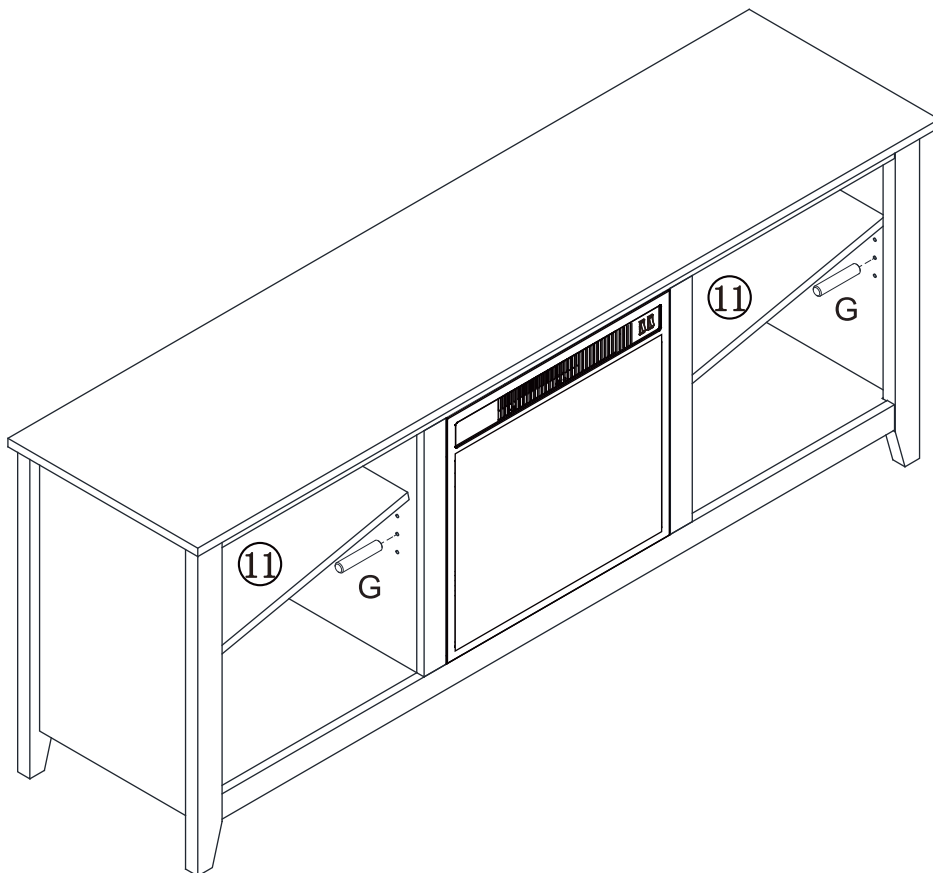
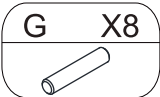
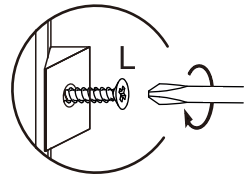
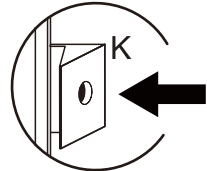
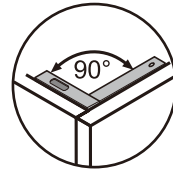
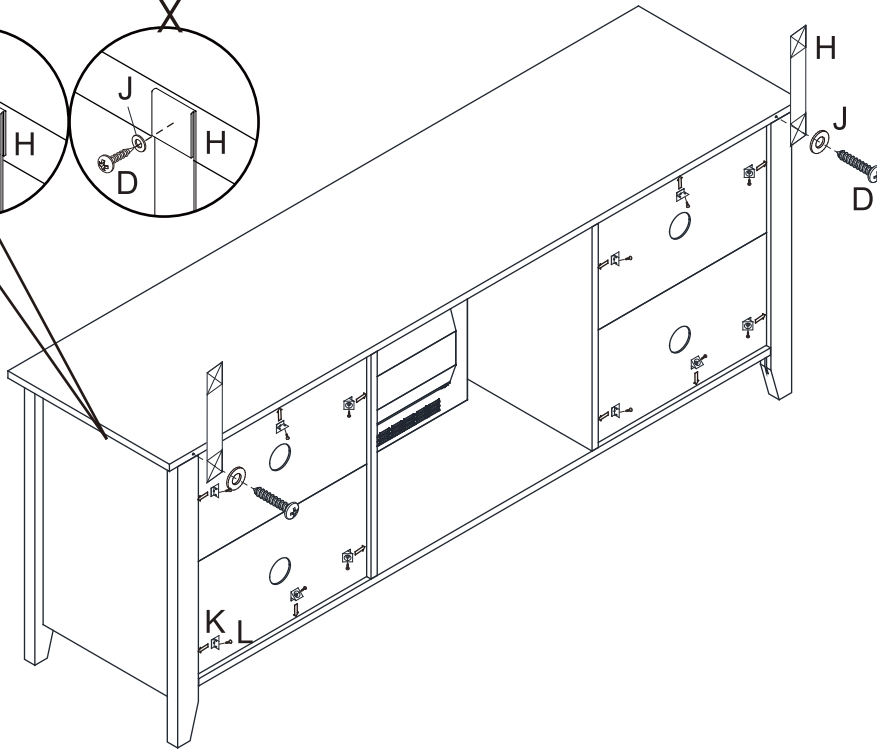
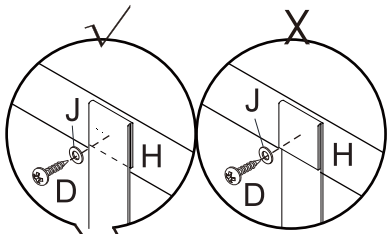
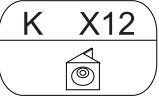
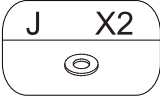
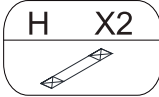
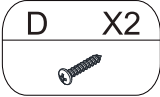
DD X6



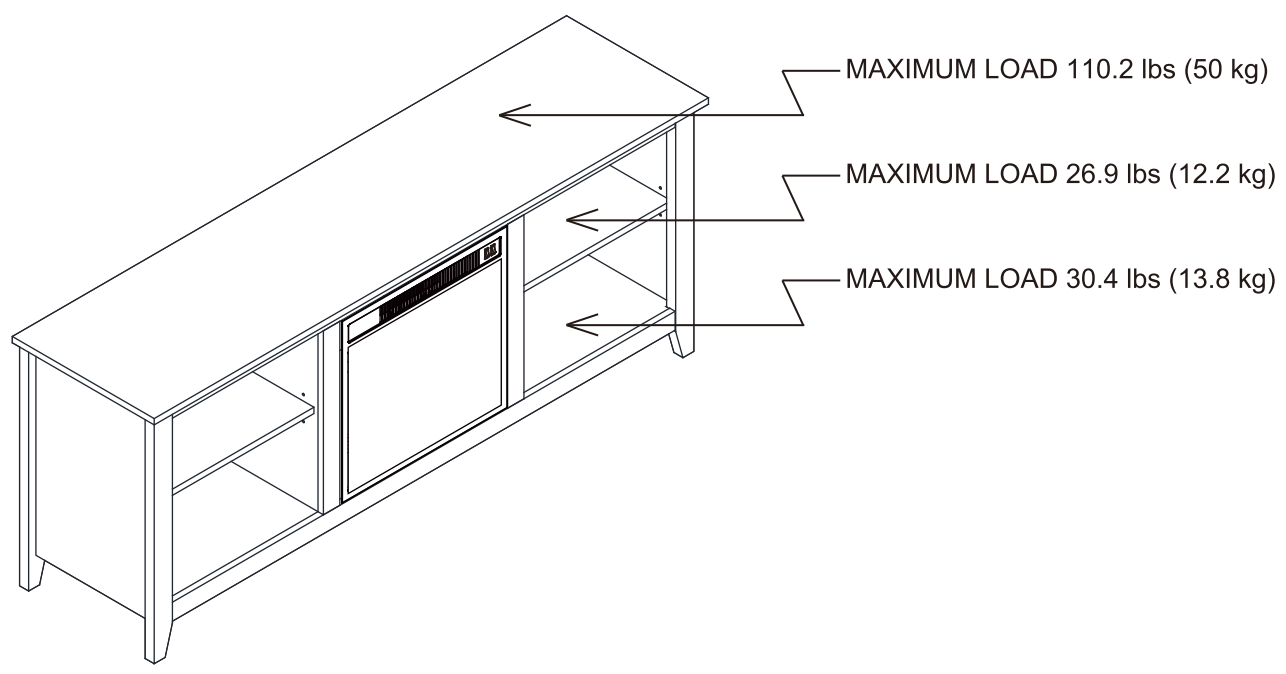
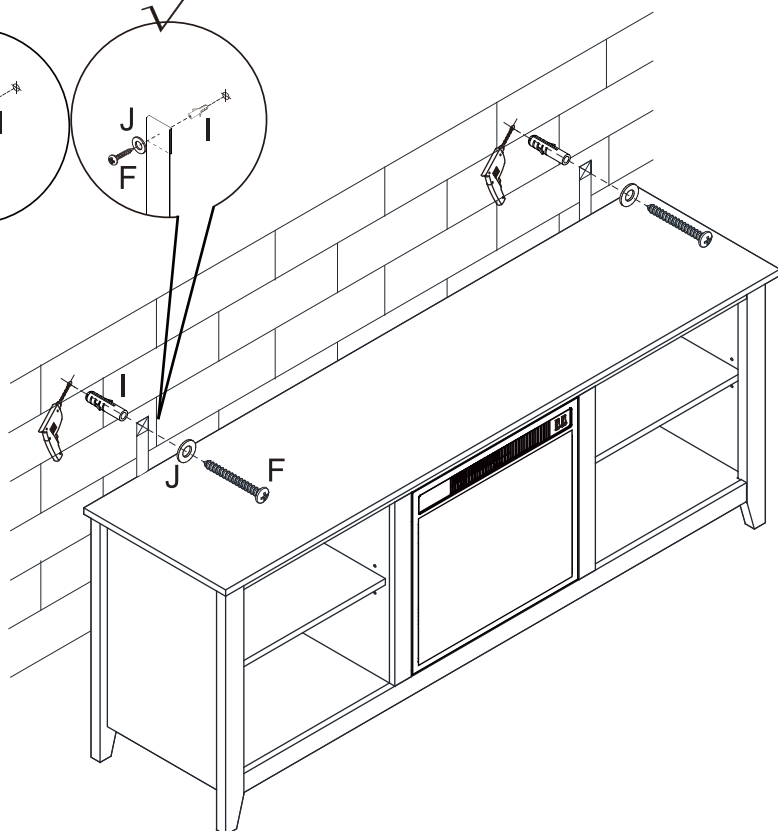
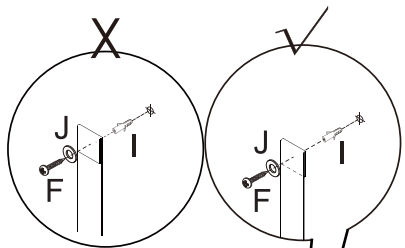


CC X6




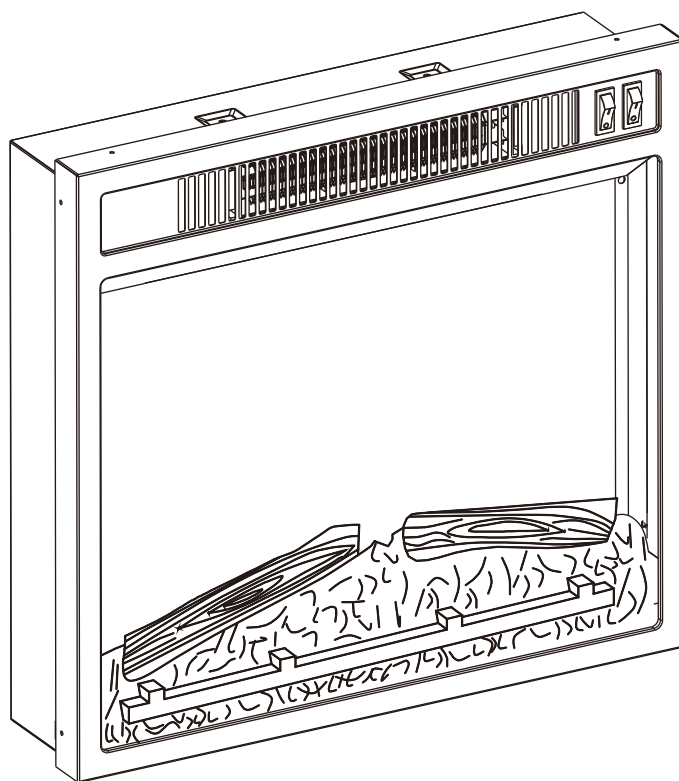


- F X2
- I X2
- J X2



OPERATING INSTRUCTION

ELECTRIC FIREPLACE INSERT



INSTALLER / CONSUMER SAFETY INFORMATION

PLEASE READ THIS MANUAL BEFORE INSTALLING AND USING APPLIANCE

WARNING

IF THE INFORMATION IN THIS MANUAL IS NOT FOLLOWED EXACTLY, AN ELECTRICAL SHOCK OR FIRE MAY RESULT CAUSING PROPERTY DAMAGE, PERSONAL INJURY OR LOSS OF LIFE.

FOR YOUR SAFETY

*(Service must be performed by a qualified service agency.)
DO NOT STORE OR USE GASOLINE OR OTHER FLAMMABLE VAPORS OR LIQUIDS IN THE VICINITY OF THIS OR ANY OTHER APPLIANCE*

General

1. Read all instructions before using this appliance.
2. This heater is hot when in use. To avoid burns, do not let bare skin touch hot surfaces. Keep combustible materials, such as furniture, pillows, bedding, papers, clothes and curtains at least 3 feet (0.9m) from the front of this heater and keep them away from the sides and rear.
3. CAUTION: Extreme caution is necessary when any heater is used by or near children or invalids and whenever the heater is left operating unattended.
4. Always unplug this appliance when not in use.
5. Do not operate any heater with a damaged cord or plug or after the appliance malfunctions, has been dropped or damaged in any manner. Return heater to authorized service facility for examination, electrical or mechanical adjustment, or repair.
6. Any repairs to this appliance should be carried out by a qualified service person.
7. Under no circumstances should this appliance be modified.
8. Do not use outdoors.
9. This heater is not intended for use in bathrooms, laundry areas and similar indoor locations. Never locate heater where it may fall into a bathtub or other water container.
10. Do not run cord under carpeting. Do not cover cord with throw rugs, runners or similar coverings. Arrange cord away from traffic areas and where it will not be tripped over.
11. To disconnect this appliance, turn controls to the off position, then remove plug from outlet.
12. Connect to properly grounded outlets only.
13. This appliance, when installed must be electrically grounded in accordance with local codes, with the current CSA C22.1 Canadian Electrical code or for USA installations, follow local codes and the National Electric Code, ANSI/NEPA No. 70.
14. Do not insert or allow foreign objects to enter any ventilation or exhaust opening as this may cause an electric shock, fire or damage the heater.
15. To prevent possible fire, do not block air intakes or exhaust in any manner. Do not use on soft surfaces, like a bed, where openings may become blocked.
16. This heater has hot and arcing or sparking parts inside. Do not use it in areas where gasoline, paint or flammable liquids are used or stored. This appliance should not be used as a drying rack for clothing, nor should Christmas stockings or decorations be hung on or near it.
17. Use this appliance only as described in this manual. Any other use not recommended by the manufacturer may cause fire, electric shock or injury to person.
18. Always plug heaters directly into a wall outlet/receptacle. Never use with an extension cord or relocatable power tap(outlet/power strip).
19. Once the inner temperature of this insert reach to $85\pm 2^{\circ}\text{C}$, this insert will off-work automatically. To reset temperaturing limiting control, disconnect power using plug or main switch for 10 minutes.
- 20. SAVE THESE INSTRUCTIONS.**

LOCATING YOUR FIREPLACE

Your new electric fireplace may be installed on the floor only in your home. This heater is a fireplace insert and can't be used as a movable fireplace. When choosing a location for your electric fireplace, ensure that the general instructions are followed. For best results, install the electric fireplace away from direct sunlight and dust.

SERVICE INSTRUCTIONS

USER INSTRUCTIONS

1. Any repairs to this appliance should be carried out by a qualified service person.
2. Under no circumstances should this appliance be modified. Parts having to be removed for servicing must be replaced prior to operating this appliance again.
3. This firebox is to be cleaned with a damp cloth (water) only. Do not use any abrasive cleaners on the unit.
4. Please unplug this firebox when not in use.
5. If using firebox in existing fireplace, please clean/vacuum thoroughly before inserting the firebox. Vacuum firebox vents periodically to avoid dust buildup for long lasting use.

TEMPERED GLASS INFORMATION

1. Under no circumstances should this product be operated with broken glass.
2. Do not strike or slam the glass.
3. Do not use abrasive cleansers to clean the glass.
4. This product uses tempered glass. Replacement of the glass supplied by the manufacturer should be done by a qualified service person.

ELECTRIC FIREPLACE SPECIFICATIONS

Fireplace Insert Dimensions(W x D x H)	18 x 5 x 17 1/8 inch 45.7 x 12.8 x 43.5 cm
Net Weight / Gross Weight	5.7kg / 6.8kg
Voltage	120V~
Frequency	60Hz
Watts	1400 Watts

ELECTRICAL CONNECTION

Preferably, the fireplace will be on a dedicated circuit as other appliances on the same circuit may cause the circuit breaker to trip or the fuse to blow when the heater is in operation. The unit comes standard with 6ft. (1800mm) three prong cord, exiting from the rear of the fireplace. Plan the installation to avoid the use of an extension cord. Always plug heaters directly into a wall outlet/receptacle. Never use with an extension cord or relocatable power tap(outlet/power strip).

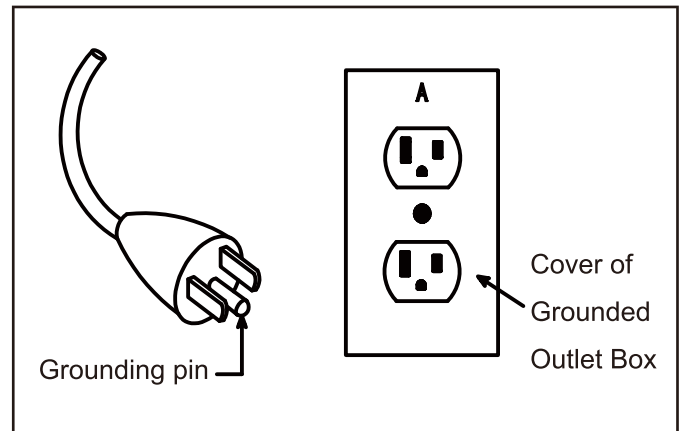
WARNING



- ▲ Do not use this fireplace insert if any part of it has been under water. Immediately call a qualified service technical to inspect the firebox and replace any part of the electrical system which has been under water.
- ▲ During any service of this appliance, the power to the unit must be turned off. First turn the main power switch to the "OFF" position. Then remove the electrical plug from the wall outlet.

GROUNDING INSTRUCTIONS

This heater is for use on 120 volts. The cord has a plug as shown at A in figure.



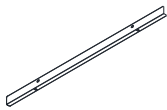
ASSEMBLY INSTRUCTIONS

REQUIRED TOOLS

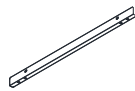


Phillips
Screwdriver
(not included)

HARDWARE



AA x 1



BB x 2

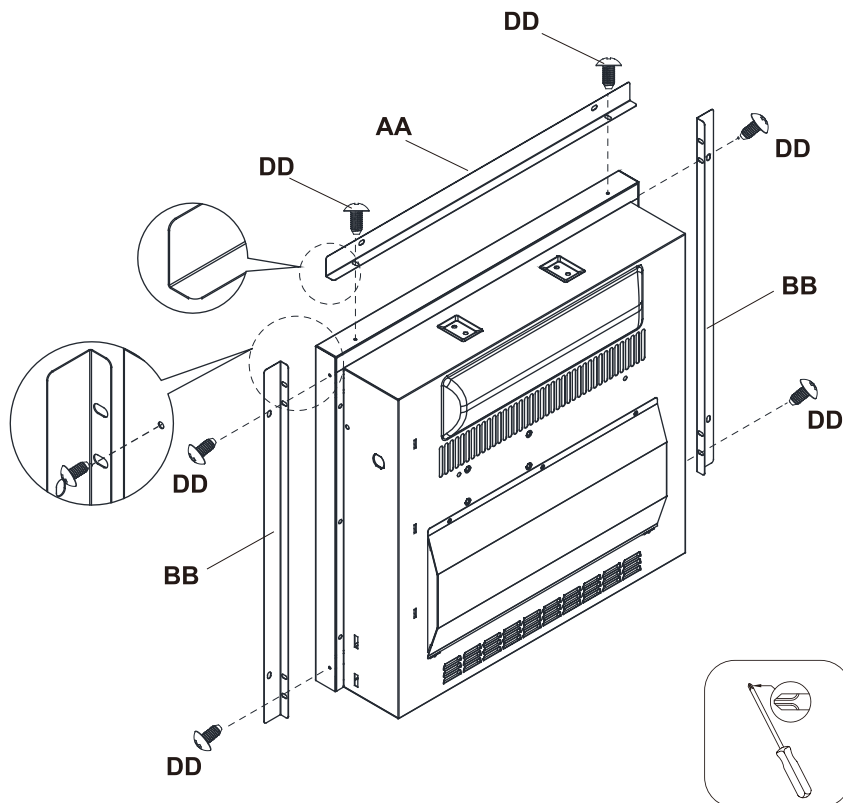


Φ4 X 10mm
CC x 6+2 extra

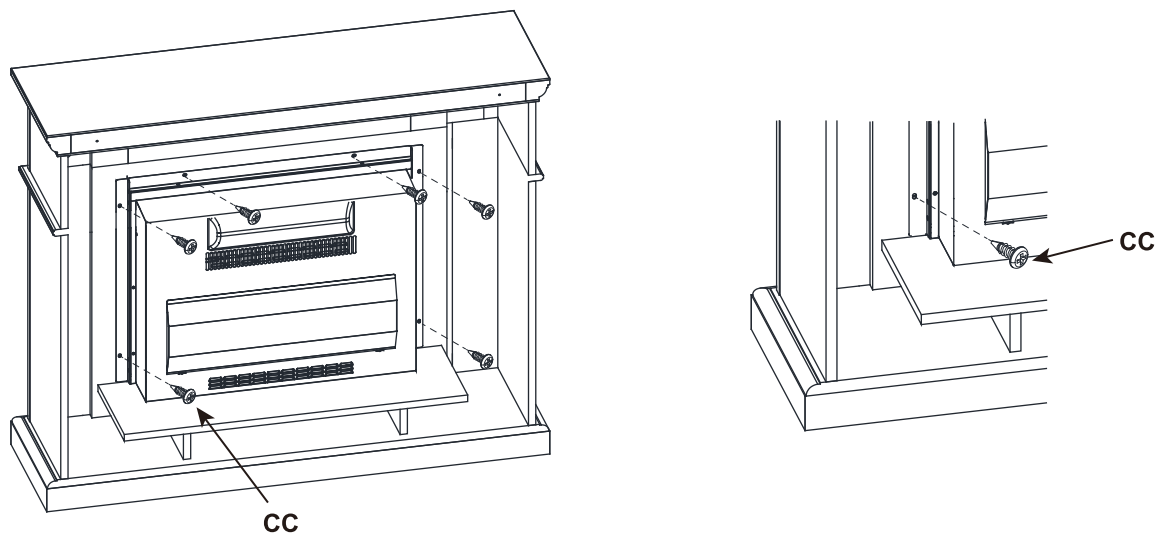


Φ4 X 6mm
DD x 6+2 extra

1. ATTACHING THE METAL TRIMS



2. INSTALLING THE FIREPLACE INSERT



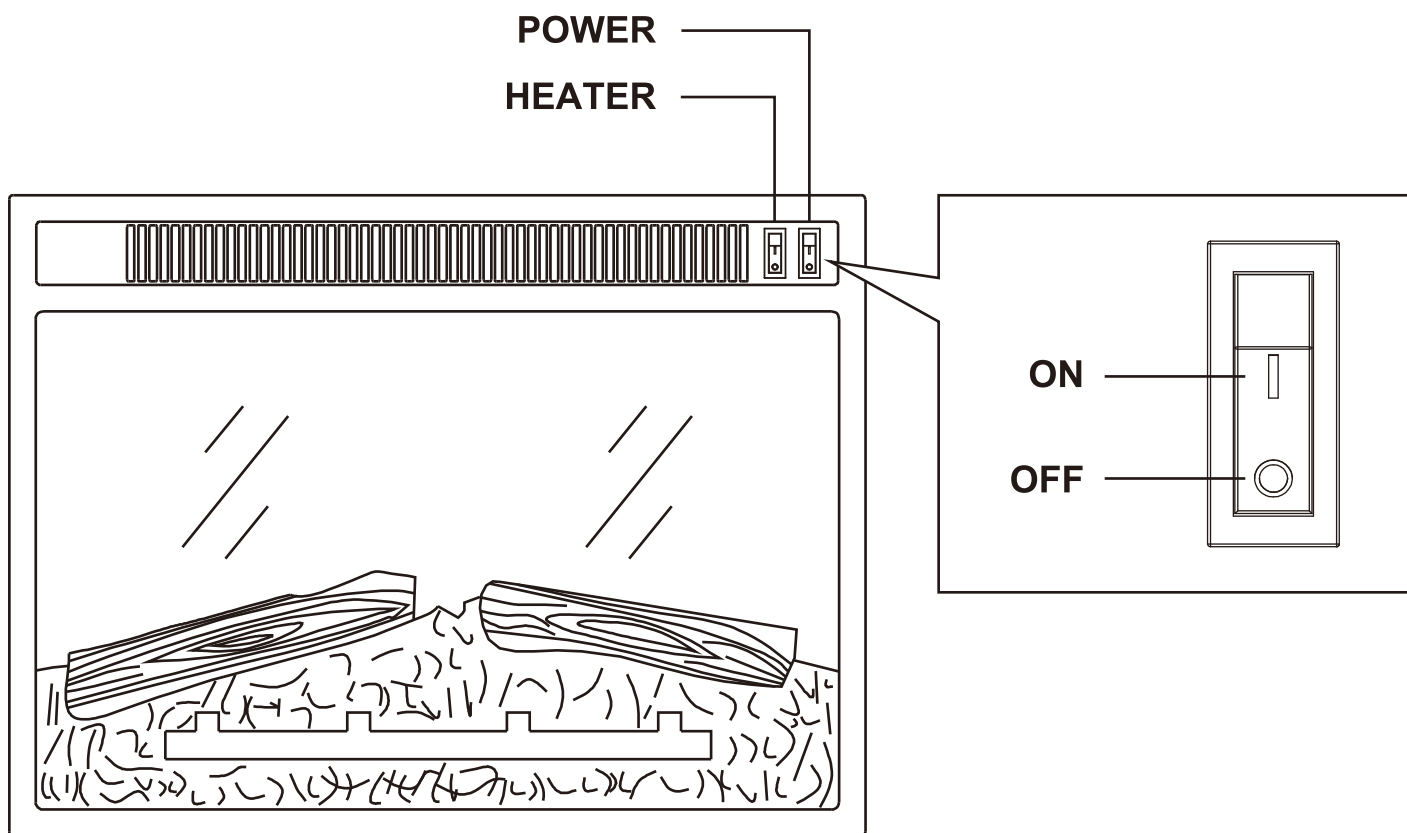
OPERATING INSTRUCTIONS

POWER ON/OFF

Main power to unit. If you press the power “ON”, it is not only put the fireplace insert in a standby mode, but also you can see the flame effect through the screen.

HEATER

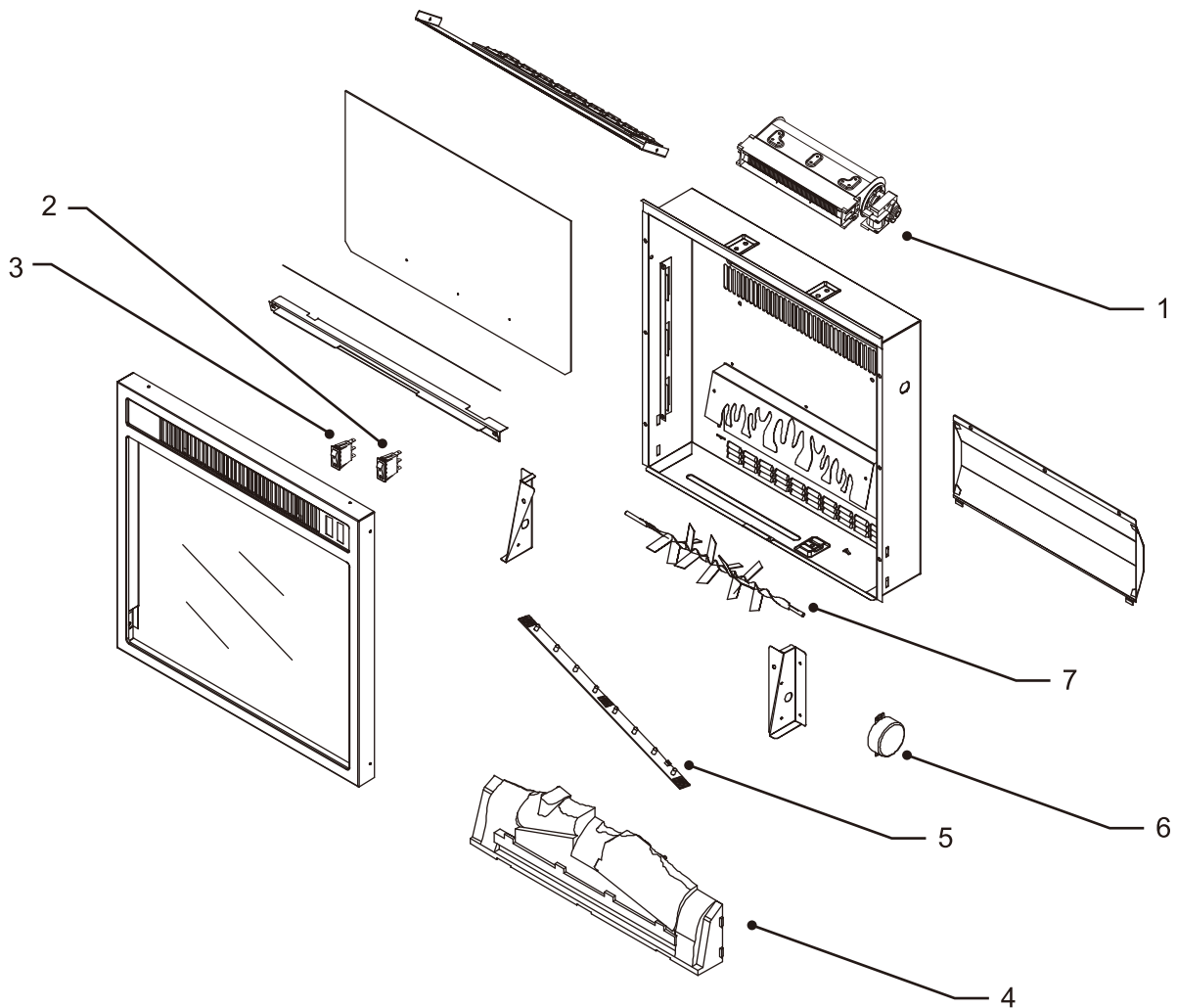
This button will turn on the power to the heater and blower.



REPLACEMENT PARTS LIST AND EXPLODED VIEW

Part	Part name
1	Heater / blower assembly
2	Main power switch
3	Heater switch
4	Emberbed with log
5	Flame effect circuit board
6	Flame generator drive motor
7	Flame generator / spinner

Some parts and specifications may change without notice.



TROUBLE SHOOTING GUIDE

PROBLEM	SOLUTION
1. No power.	1a. Check that unit is plugged into a standard 120V outlet.
2. Power light is ON but the flame effect is not visible.	2a. Open bottom of unit, check to see if "spinner" is correctly mounted at the rear of unit. 2b. Check to see if spinning motor is functioning. If not, call customer service.
3. Heater doesn't work, but Power and Heater switches / buttons are in the "ON" position.	3a. Turn all switches / buttons to the "OFF" position and unplug the unit from the wall outlet for 10 minutes. After 10 minutes plug the unit back into wall outlet, and operate normally.
4. Other reasons that may prevent the heater from working correctly: 4a. Incorrect operation. 4b. Defective heater switch. 4c. Defective heater assembly. 4d. Loose wiring. 4e. Dirty or clogged vents.	4a. Refer to operating instructions. 4b. Call customer service. 4c. Call customer service. 4d. Call customer service. 4e. Unplug the unit. Clear vent area of dust and debris. Wait ten minutes, plug the unit in again and turn on the heater.
5. Unusual sounds/noise.	5a. It is normal when the firebox is working. The noise comes from the fan that blows the heated air out of the firebox. A slight noise may also come from the motor that generates the flame. If it is unusual, check that the screws attaching the flame motor are tightened.
6. Flame effect operates, but heater does not blow warm air.	6a. Check that heater switch / button is in "on" position.
7. Problems with the assembly.	7a. Call customer service.

MAINTENANCE

Periodic cleaning/vacuuming of the fan/heater unit is recommended. Make sure the unit is turned OFF and unplugged whenever you are cleaning the heater or fireplace.



WARNING: Make sure the power is turned off before proceeding. Any electrical repairs or rewiring of this unit should be carried out by a licensed electrical in accordance with national and local codes.

If repairing or replacing any electrical component or wiring, the original wire routing, colour coding and securing locations must be followed.



WARNING: Electrical outlet wiring must comply with local building codes and other applicable regulations to reduce the risk of fire, electrical shock and injury to persons.



WARNING: Do not use this fireplace if any part of it has been under water. Immediately call a qualified service technician to inspect the fireplace and replace any part of the electrical system.



WARNING: Disconnect power before attempting any maintenance or cleaning to reduce the risk of fire, electrical shock or personal injury.

WARNING – TO REDUCE THE RISK OF FIRE

- 1) Always plug heaters directly into a wall outlet/receptacle. Never use with an extension cord or relocatable power tap (outlet/power strip).
- 2) Check your heater cord and plug connections. A loose fitting outlet can cause the plug to overheat and/or cause a fire. Be sure plug fits tight in the outlet. Check frequently during use to make sure plug and outlet are not hot. If so, discontinue using heater and have outlet replaced by a qualified electrician.

Note: Heaters draw more current than small appliances, overheating of the outlet may occur even if it has not occurred with the other appliances.

- 3) Always unplug heater when not in use.
- 4) Do not operate heater with a damaged cord or plug or after the heater malfunctions, has been dropped or damaged in any manner. Discard heater or return to an authorized service facility for examination and/or repair.
- 5) Do not run cord under carpeting. Do not cover cord with throw rugs, runners, or similar coverings. Do not route cord under furniture or appliances. Arrange cord away from traffic area and where it will not be tripped over.
- 6) Do not place any objects such as furniture, papers, clothes, and curtains closer than 3 feet (0.9 m) to the front of the heater and keep them away from the sides and rear when the heater is plugged in.
- 7) Do not place the heater near a bed because objects such as pillows or blankets can fall off the bed and be ignited by the heater.

US



001-877-644-9366
customerservice@aosom.com

CA



001-855-537-6088
customerservice@aosom.ca

UK



0044-800-240-4004
enquiries@mhstar.co.uk

DE



0049-(0)40-88307530
service@aosom.de

FR



0033-1-84166106
contact@aosom.fr

ES



0034-931294512
atencioncliente@aosom.es

IT



0039-0249471447
clienti@aosom.it