

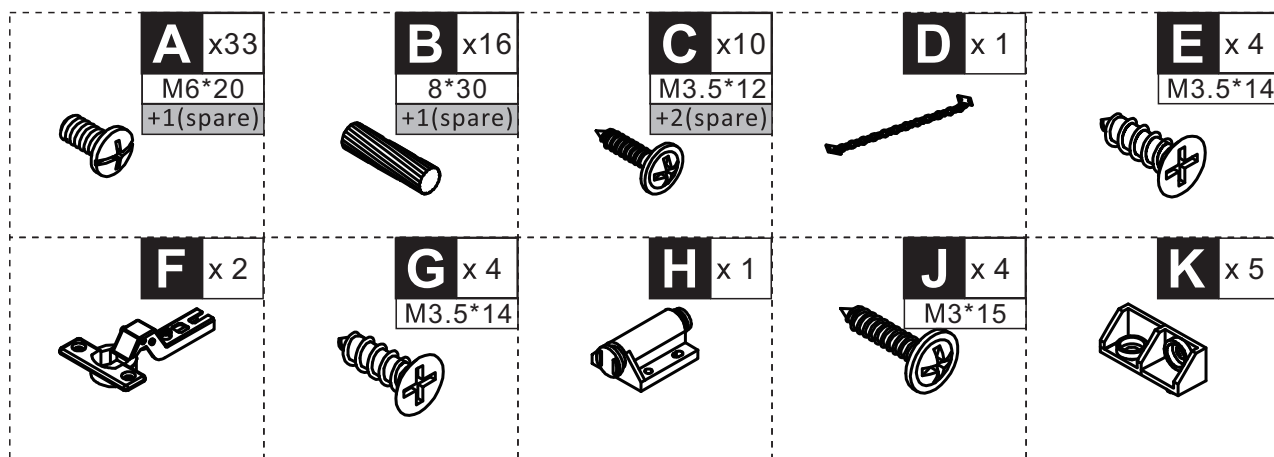
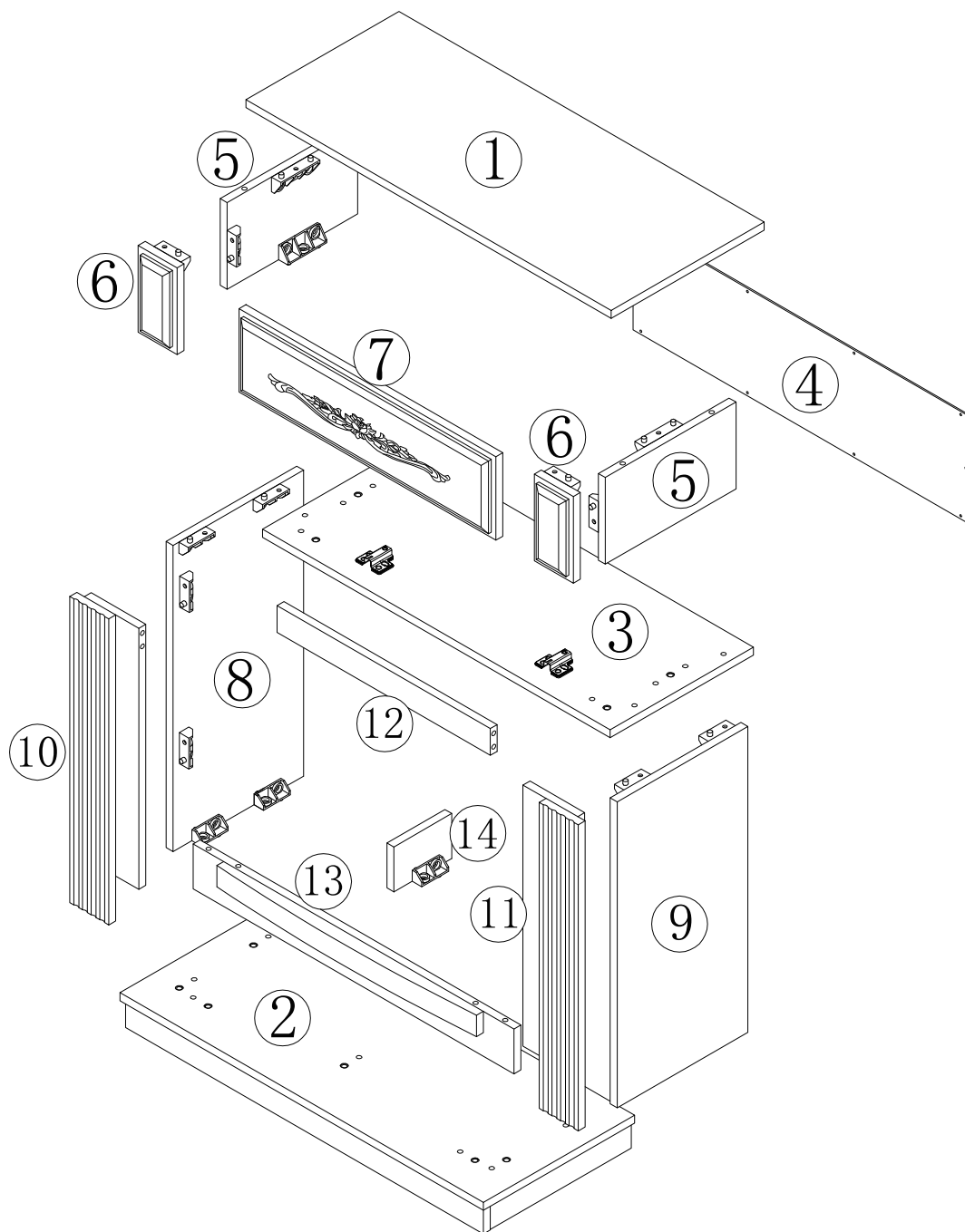
EN_IMPORTANT, RETAIN FOR FUTURE REFERENCE: READ CAREFULLY.



FR_IMPORTANT: A LIRE ATTENTIVEMENT ET À CONSERVER POUR CONSULTATION ULTÉRIEURE.

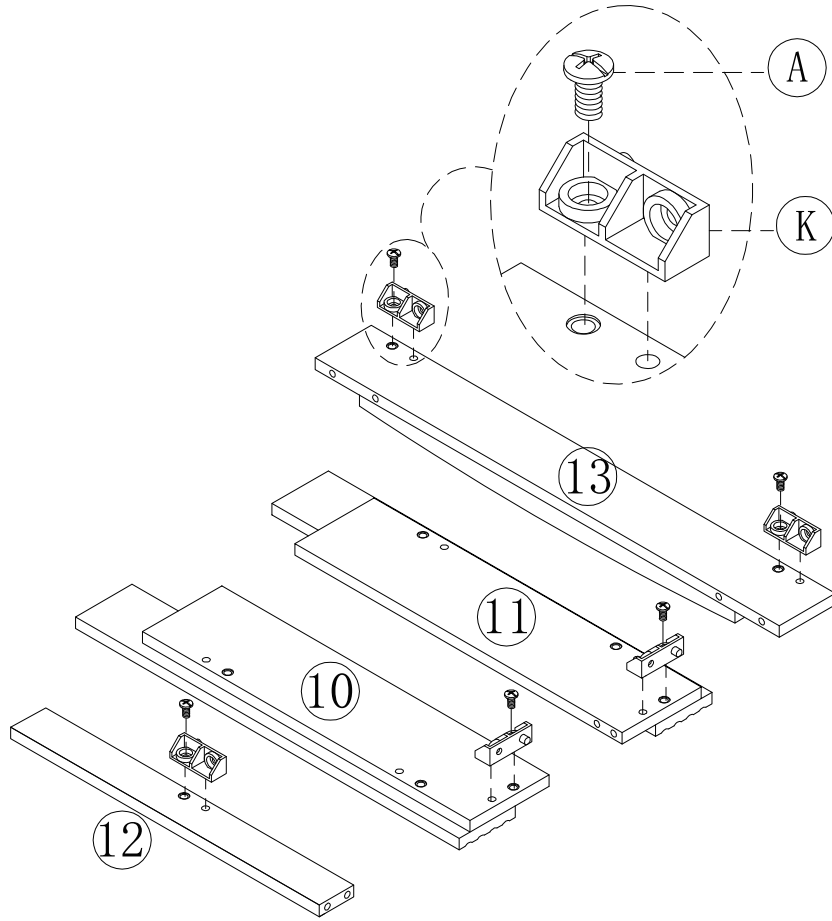
ES_IMPORTANTE, LEA Y GUARDE PARA FUTURAS REFERENCIAS.

DE_WICHTIG! SORGFÄLTIG LESEN UND FÜR SPÄTER NACHSCHLAGEN AUFBEWAHREN.

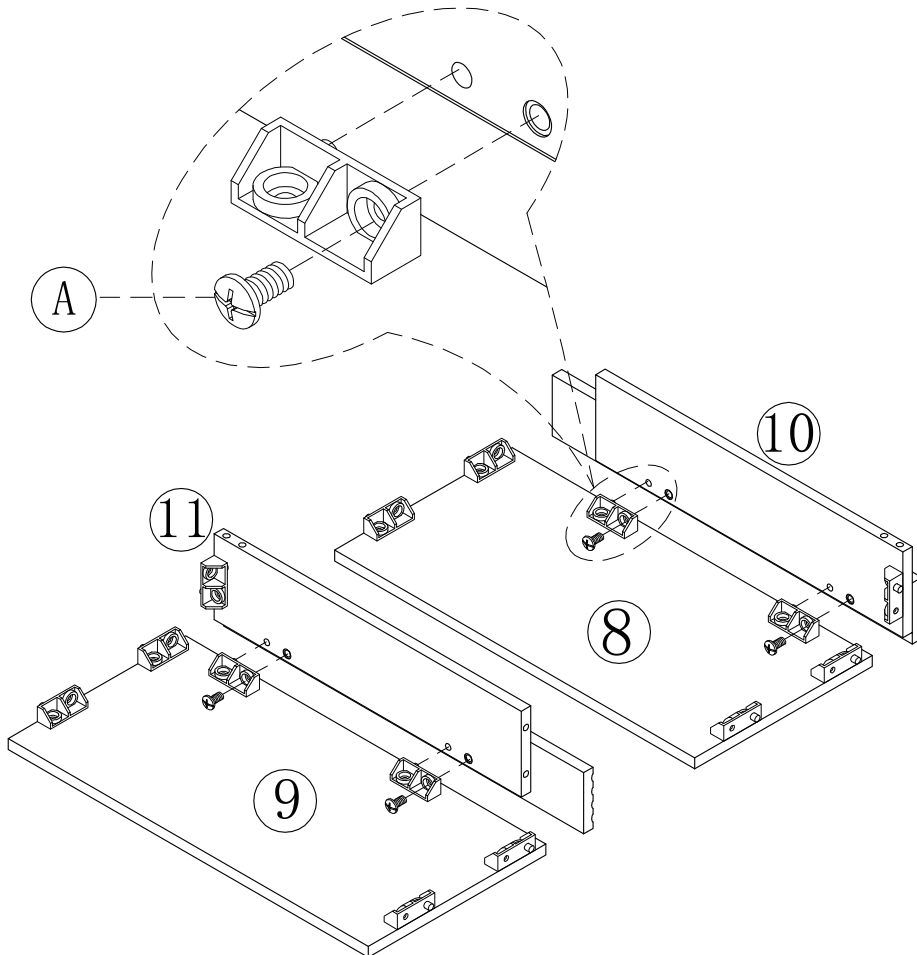
IT_IMPORTANTE! CONSERVARE IL PRESENTE MANUALE PER FUTURO RIFERIMENTO E LEGGERLO ATTENTAMENTE.



A		5
K		5

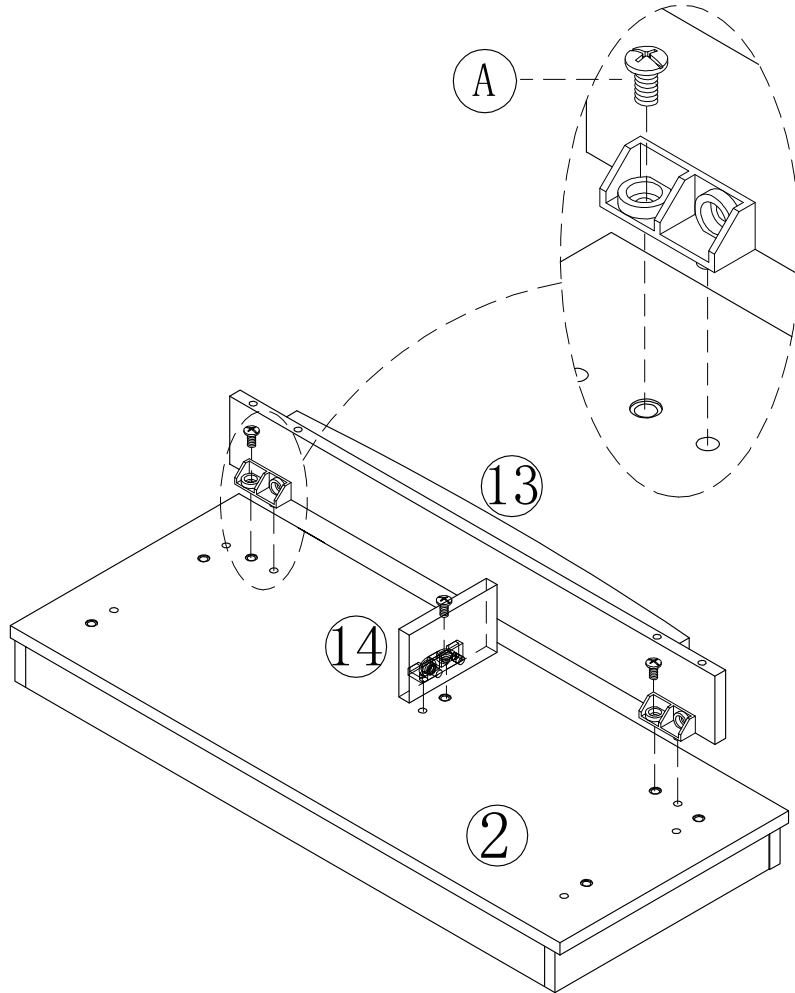


A		4
---	-------------------------------------------------------------------------------------	---



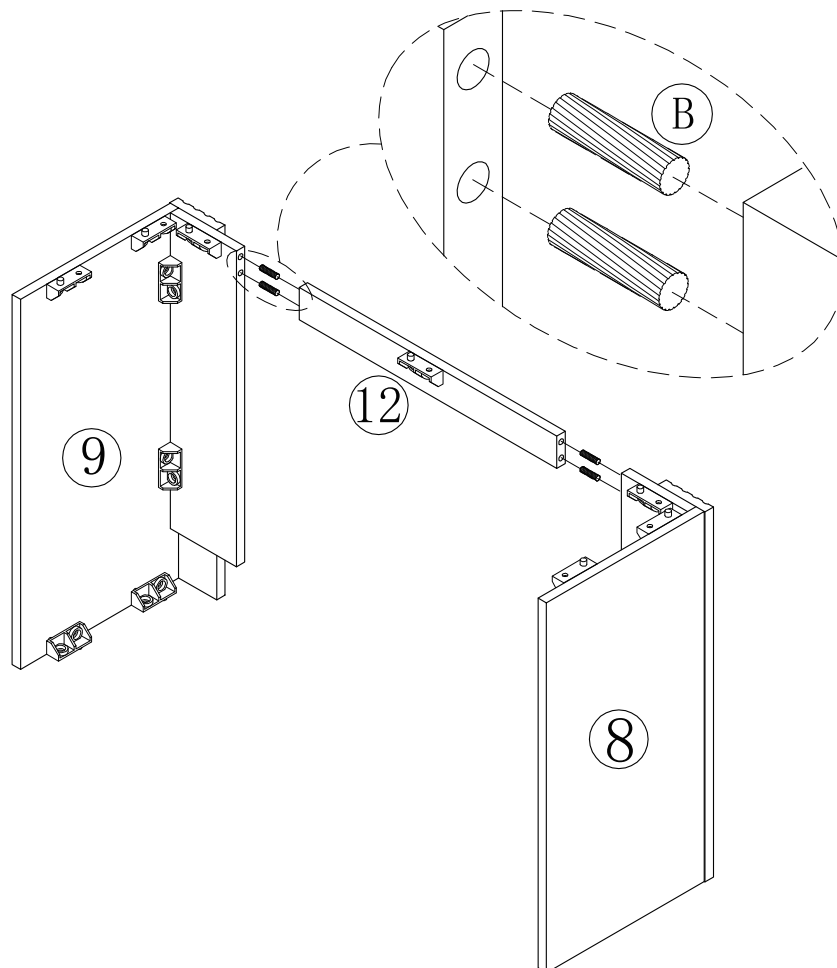
A  3



03

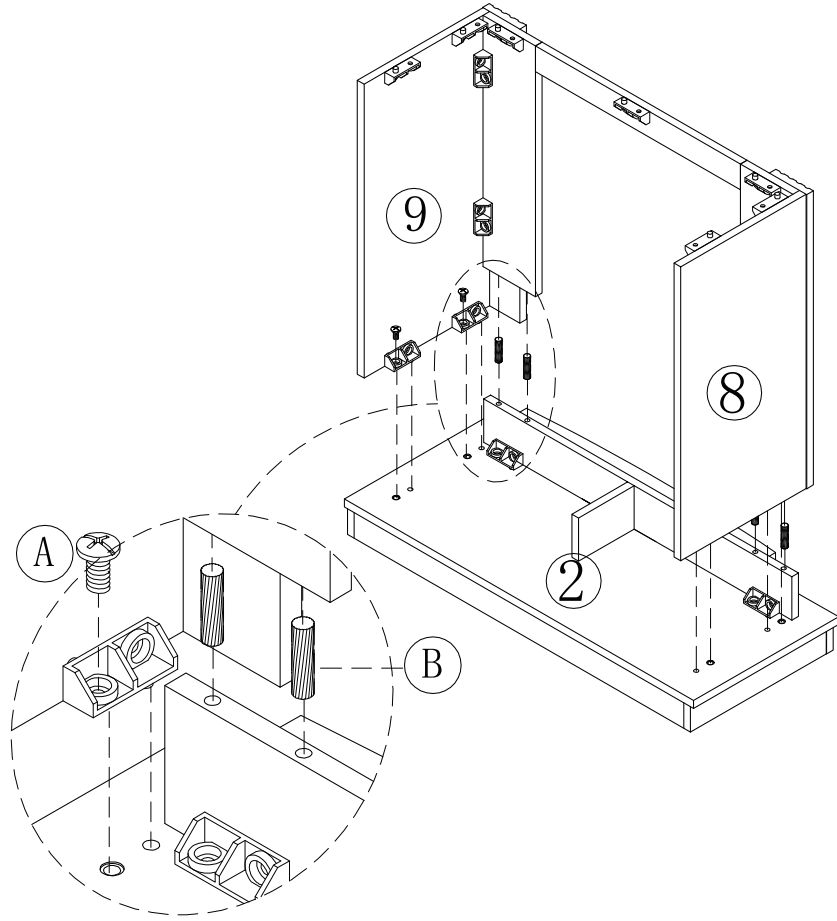


B  4

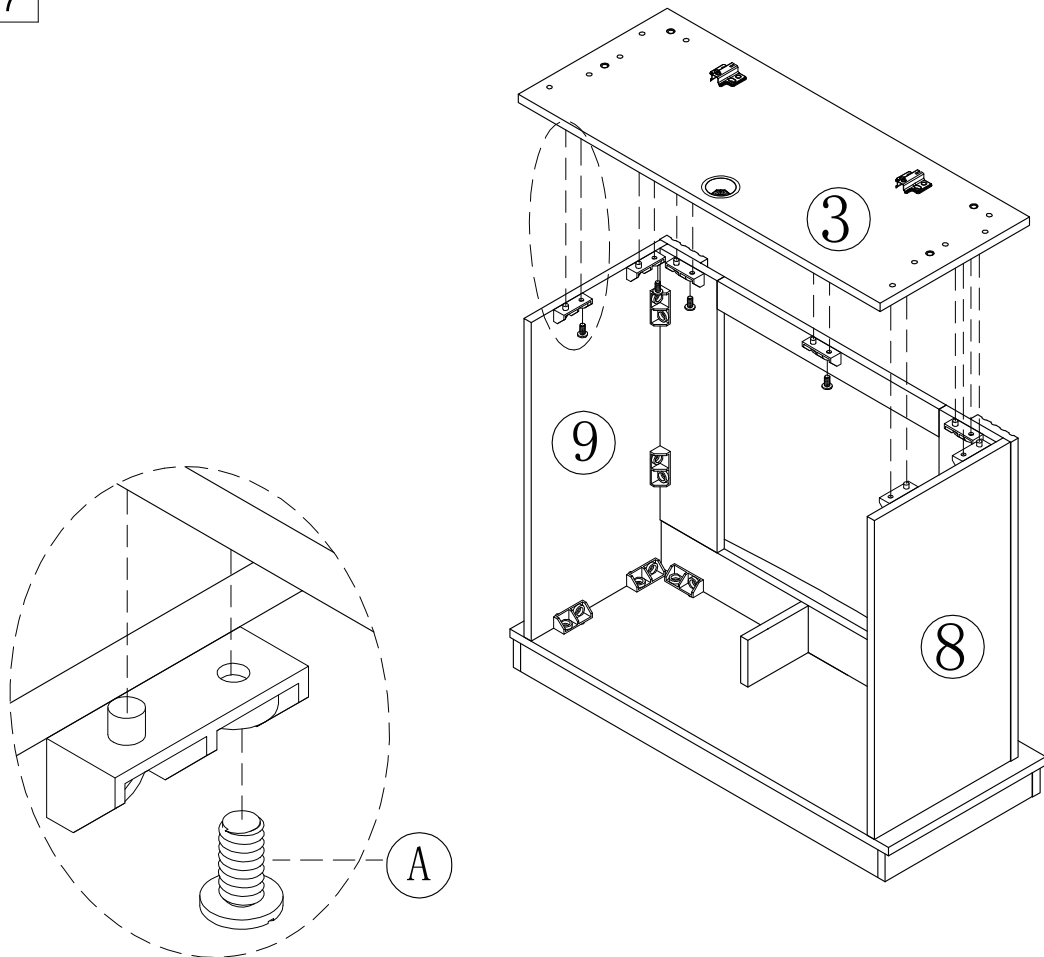
04



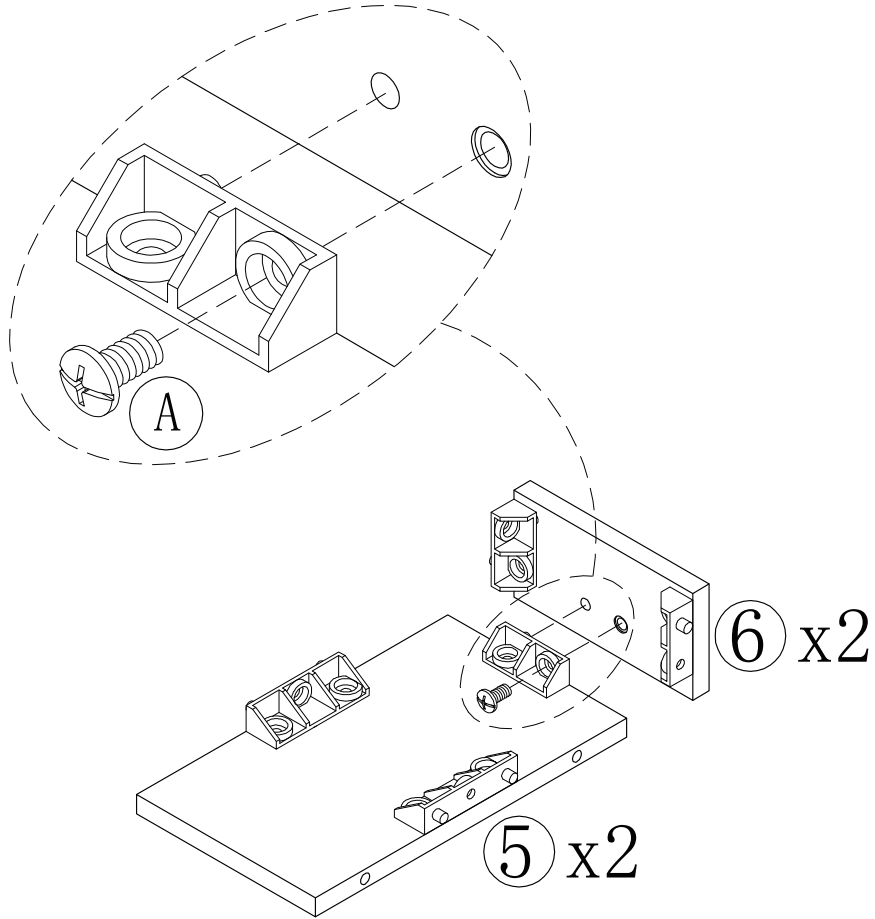
A		4
B		4





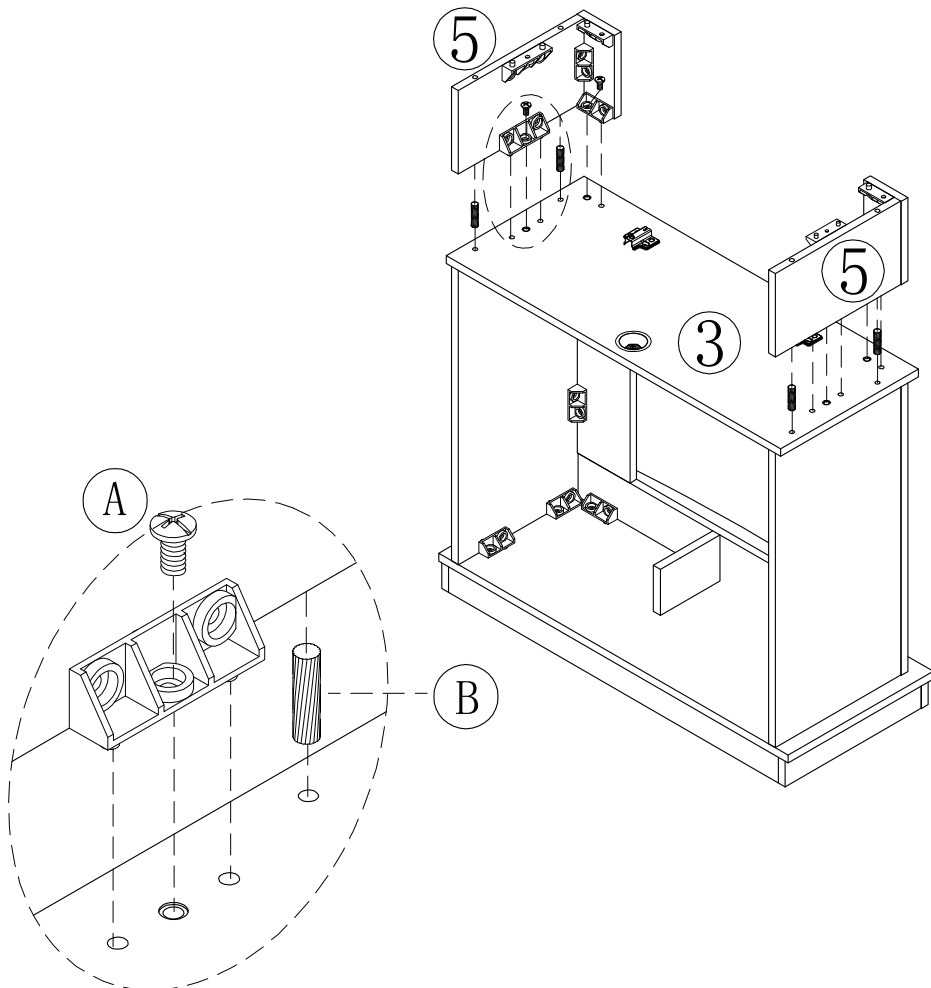
A		7
---	-------------------------------------------------------------------------------------	---







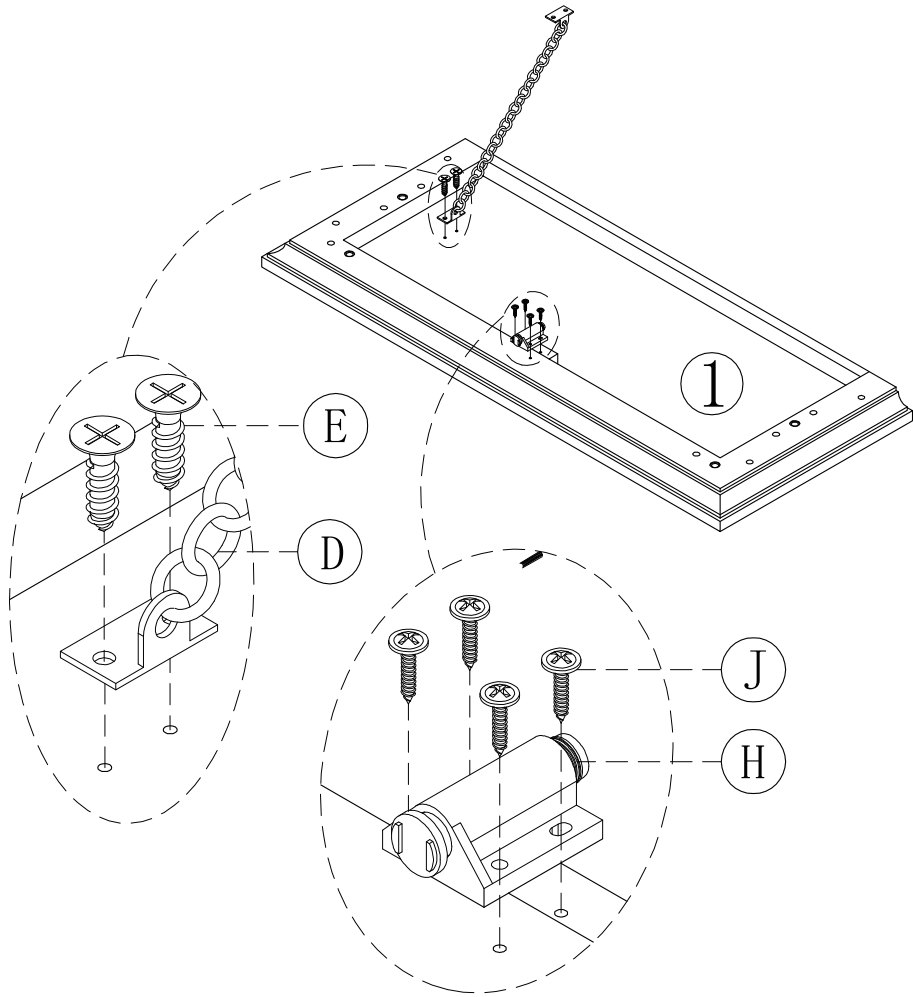
A		2
---	----------------------------------------------------------------------------------	---





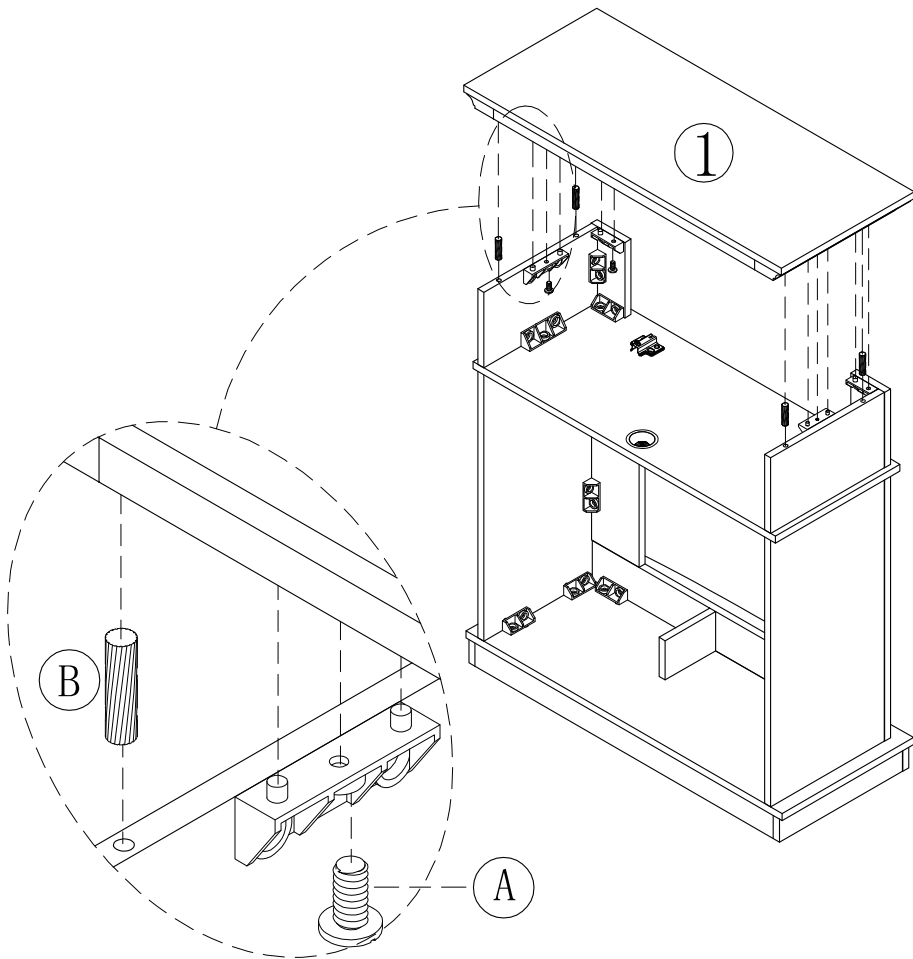
A		4
B		4



D		1
E		2
H		1
J		4

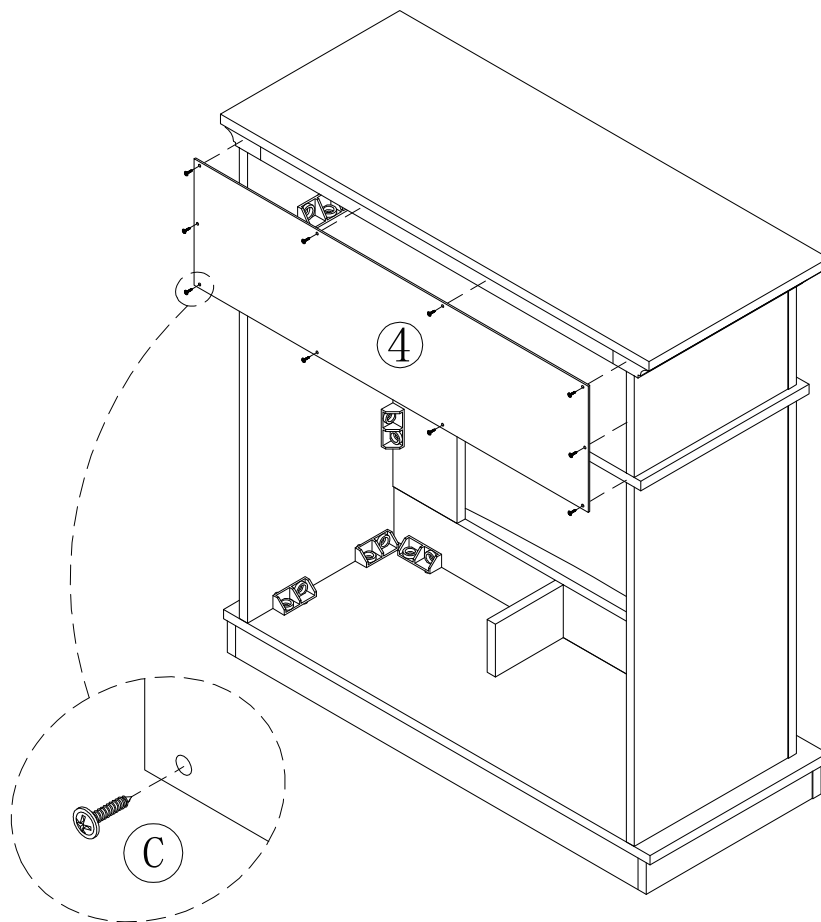




A		4
B		4



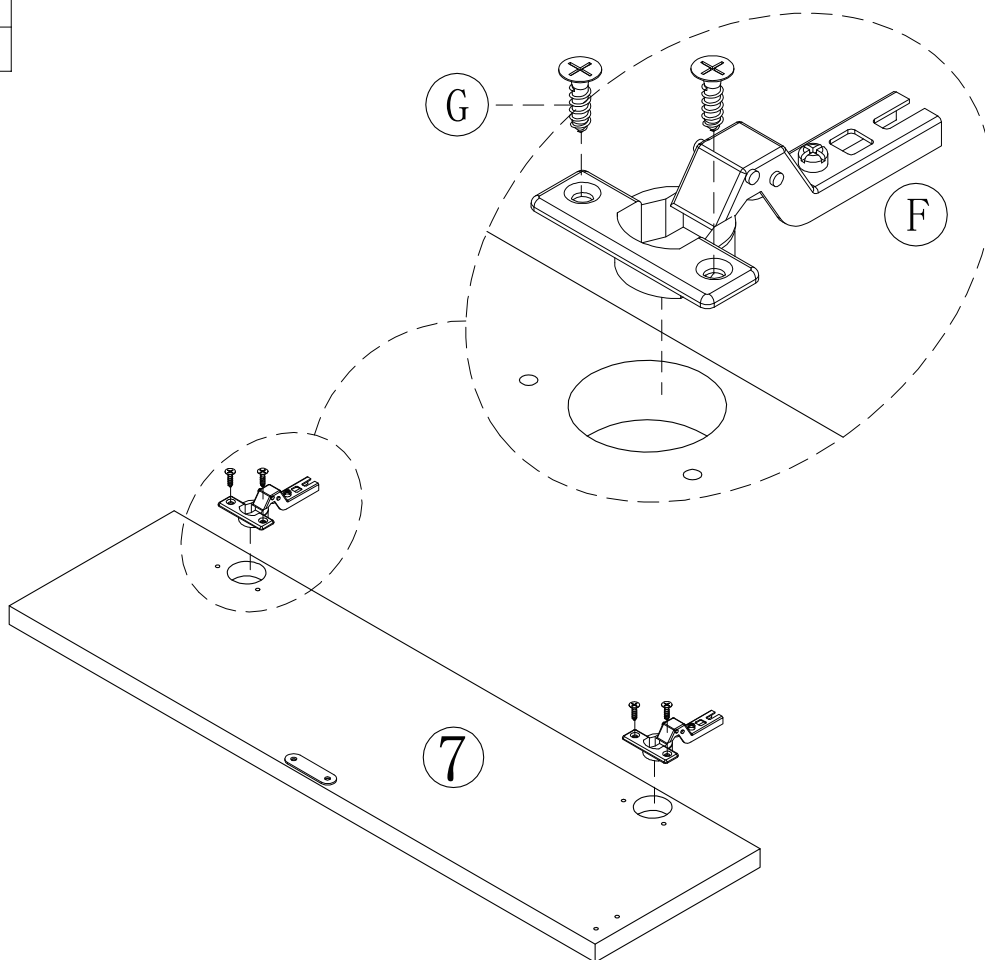
C		10
---	----------------------------------------------------------------------------------	----

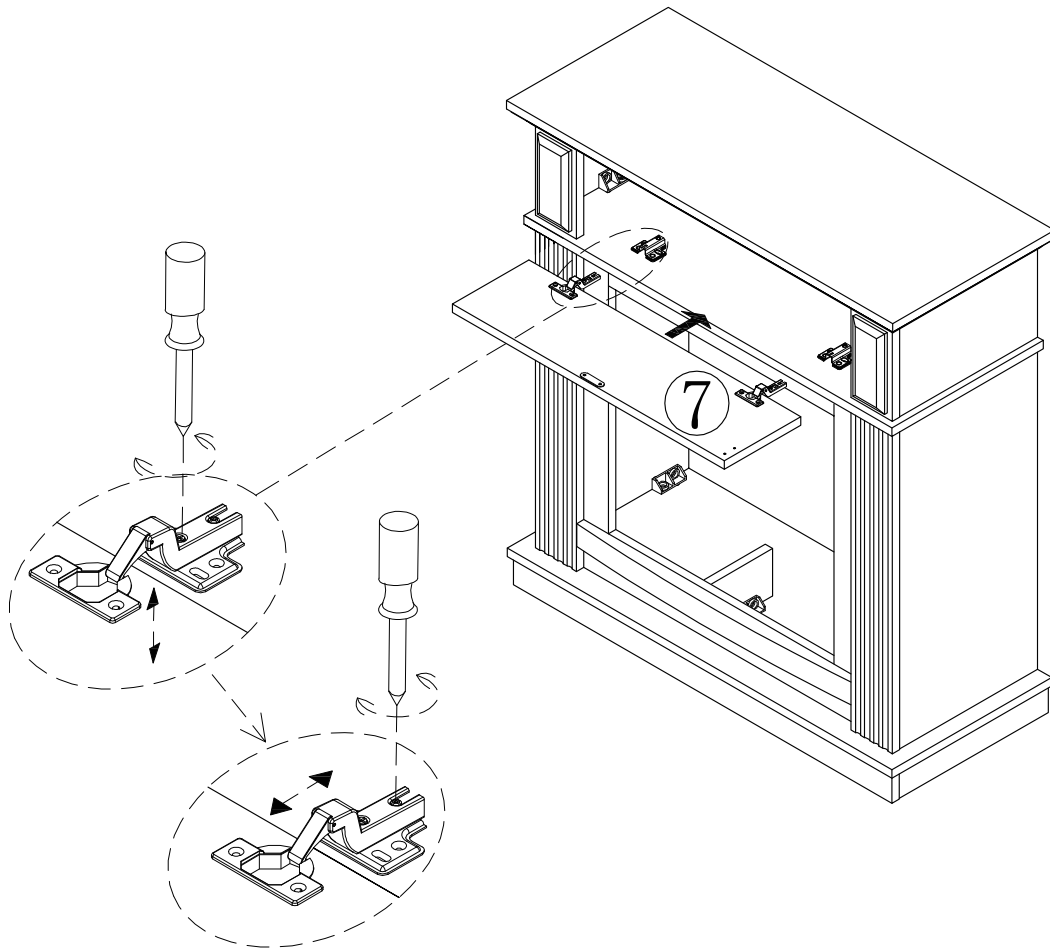
11



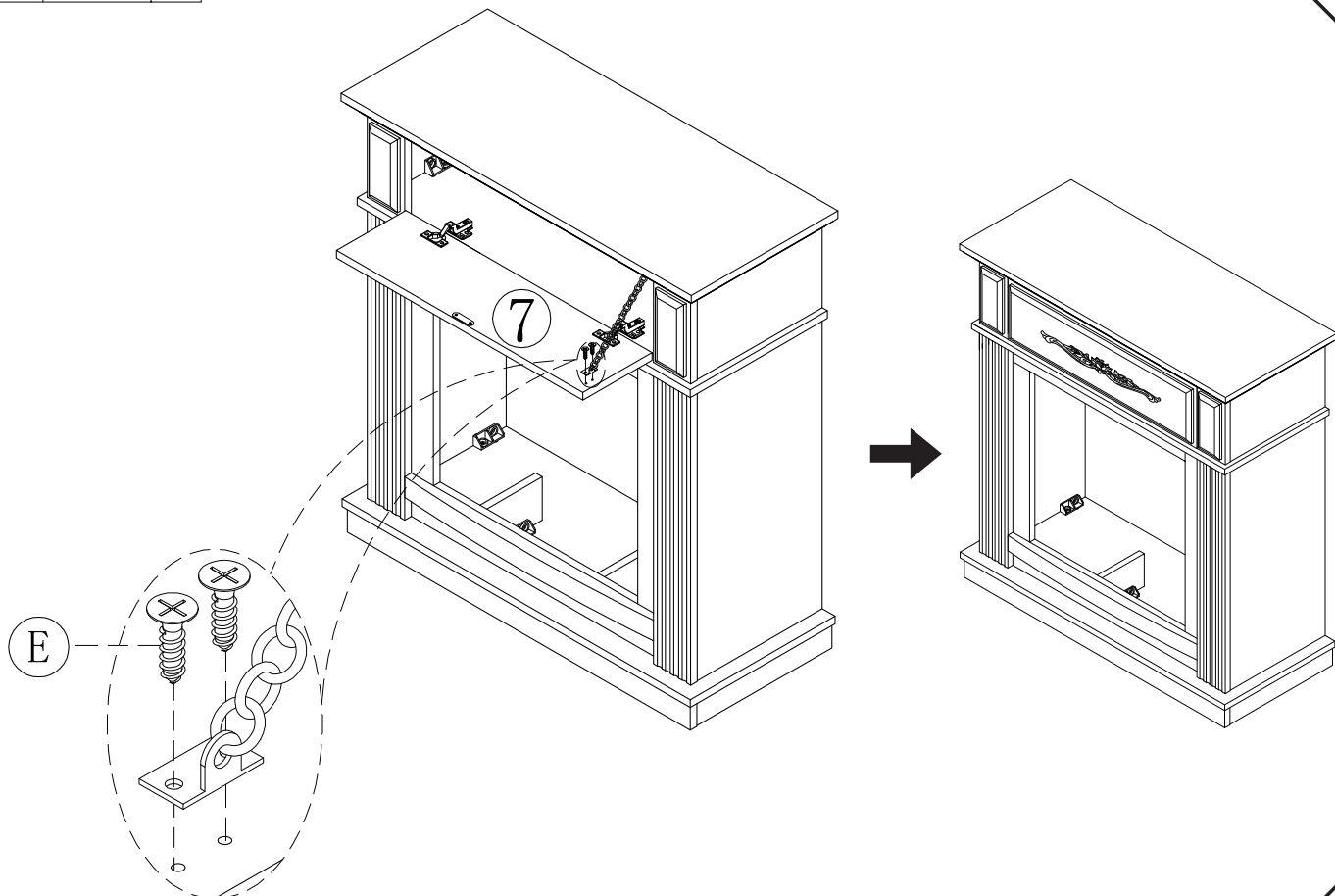
F		2
G		4

12





E		2
---	-------------------------------------------------------------------------------------	---



IMPORTANT SAFETY INFORMATION

PLEASE READ ALL INSTRUCTIONS IN THIS MANUAL, INCLUDING ALL SAFETY, OPERATING AND MAINTENANCE INFORMATION. TO AVOID THE POTENTIAL RISK OF FIRE, ELECTRIC SHOCK OR INJURY TO PERSONS, USERS MUST FOLLOW THE WARNINGS IN THIS MANUAL.

1. Read all instructions before using this heater.
2. Do not use this heater outdoors.
3. Never use this heater in bathrooms, laundry areas or similar areas. Keep away from bathtubs and other water containers.
4. Do not run the power cord under carpeting or cover with throw rugs, runners or furniture. Keep the power cord away from congested areas, where it cannot be tripped over.
5. When unplugging, ensure the heater is switched off.
6. Plug in to properly grounded outlets only. Always plug directly into a wall outlet/receptacle. Never use an extension cord or relocatable power tap (outlet/power strip).
7. To prevent a possible fire, do not block air intakes or the exhaust. Do not use on soft surfaces, such as beds, where openings could be blocked.
8. There is a thermostat limit inside the heater. When the inner temperature exceeds the limit, the protective device will activate, switching off the heater automatically, avoiding the risk of fire or damages to the product.
9. Use the heater only as described in this manual. Any other use, which is not recommended by the manufacturer, could cause a fire, electric shock or injury to persons.

SAVE THESE INSTRUCTIONS

! WARNING: There are no user serviceable parts inside this product. If the unit appears to malfunction, switch off the heater and unplug immediately. Contact customer service.

! WARNING: This heater is hot when in use. To avoid burns, do not touch the surfaces. If provided, use handles when moving the heater. Keep flammable materials, such as furniture, pillows, bedding, paper, clothes and curtains at least three feet (0.9m) from the front, sides and rear of the heater.

! WARNING: Extreme caution is necessary when using the heater near small children or vulnerable persons. When operating, never leave the heater unattended.

!WARNING: Always unplug the heater when not in use.

WARNING: If the cord, plug or unit is damaged in any way, do not use. Return the heater to the manufacturer for inspection or repairs.

WARNING: Do not insert objects into the ventilation or exhaust opening – this can cause an electric shock, fire or damages to the heater.

WARNING: A heater has hot and arching parts inside. Do not use in areas where gasoline, paint or flammable items are present.

CAUTION: When in use, the centre gets very hot – do not touch to avoid burns. Small children must be supervised when near the heater. Do not cover the heater with clothes, towels or other fabrics to avoid a fire hazard.

Safety Information (continued)

GROUNDING INSTRUCTIONS

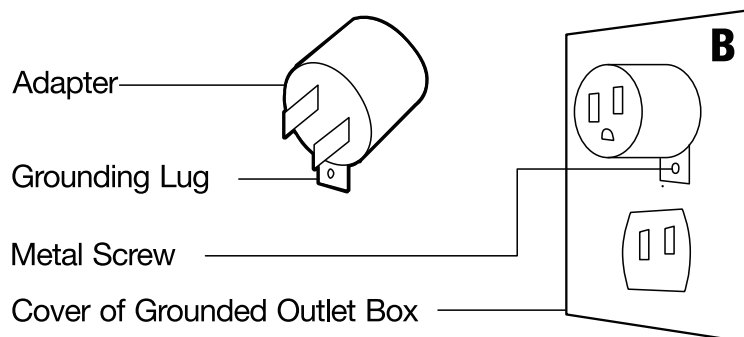
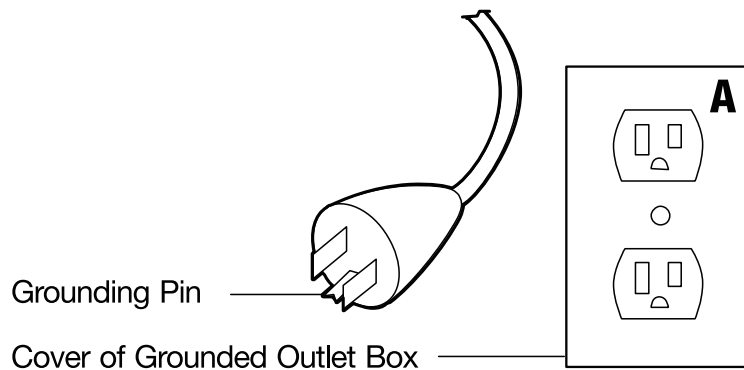
! DANGER: Plugging into an improper grounded outlet can result in electric shock. If you have any doubts whether the product is properly grounded, check with a qualified electrician or serviceperson.

Do not modify the plug.

If it does not fit into the outlet, have a proper outlet installed by a qualified electrician.

The product must be grounded. If there is a malfunction, the grounding provides a path of minimum resistance for an electric current, reducing the risk of an electric shock. This product has a cord, an equipment-grounding conductor and grounding plug. It must be plugged into an appropriate outlet, which is properly installed and grounded in accordance with local laws and regulations.

This heater uses 120-volt circuits and has a grounded plug. An adapter is available from your local store, which connects three-blade plugs to two-blade plugs. The green grounding lug extending from the adapter, must be connected to a permanent ground, such as a properly grounded outlet box. If there is a three-slot grounded socket available, do not use an adapter.

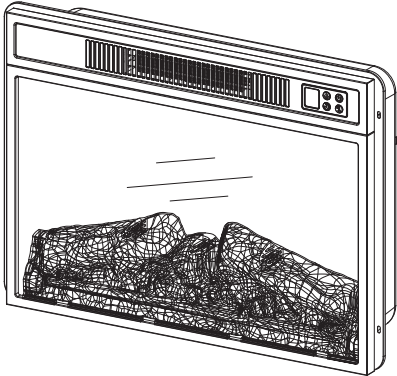


Pre-installation

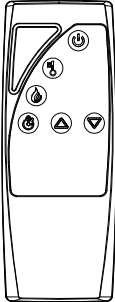
TECHNICAL SPECIFICATION

Model Number	Description
Dimensions(WxDxH)	21.1" x 6.3" x 19.7"
Net Weight	4.3kg/9.5 lb
Gross Weight	5.4kg/11.9 lb
Power Rating	1400W
Voltage	120V
Frequency	60Hz

PACKAGE CONTENT



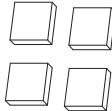
Fireplace Unit



Remote Control



Screw x5

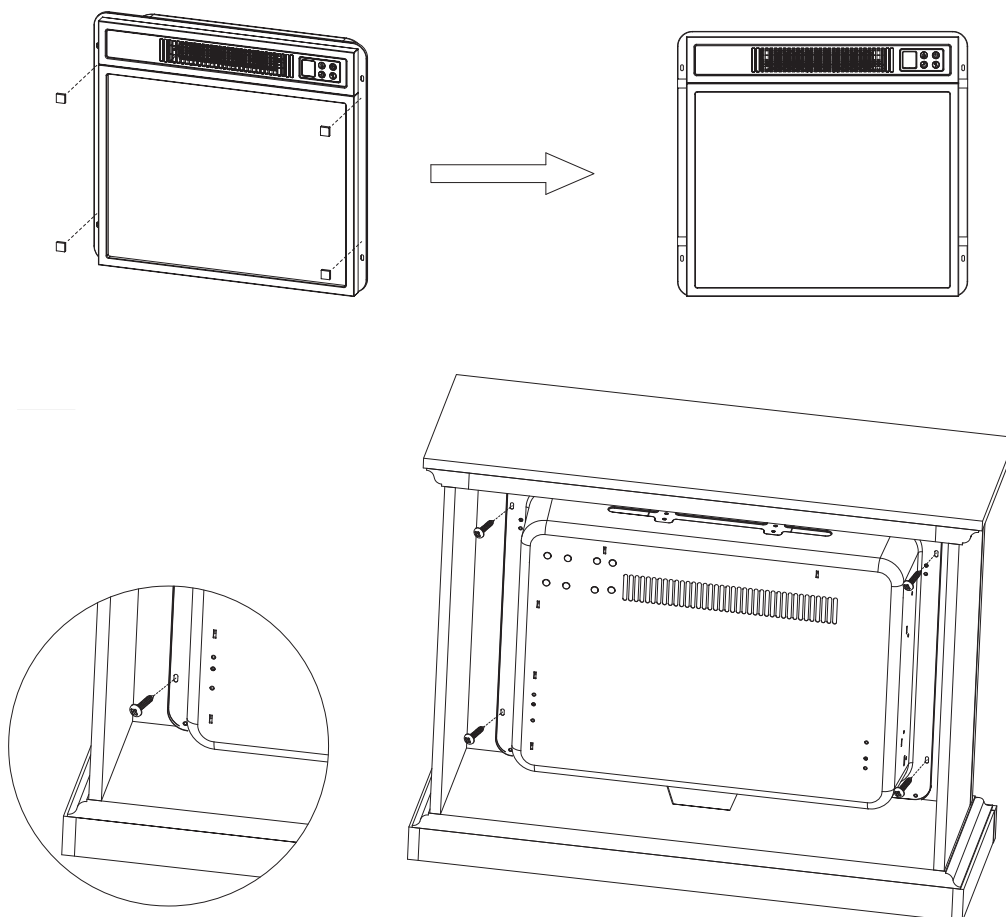


EVA cushion gasket

Assembly

STEP 1

Put the EVA cushion gasket in (as shown below), which softens the impact between the wood cabinet and fireplace.



STEP 2

Remove the unit from its packaging, laying out all spare parts on the floor. Ensure there are no items left in the packaging.

STEP 3

Carefully install the unit from the back of the mantel, using the opening in the centre.

Check the alignments, then attach the unit by inserting screws through the drilled holes, which is on the trim of the mantel.

Note: Do not attempt to install the unit from the front of the mantel. It will not fit.

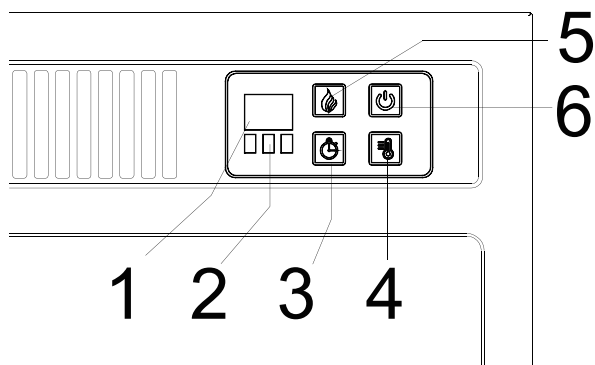
Operation

-Identifying the control panel

-The control panel is on the top right corner of the unit.

-Control panel contains the display (1), function indicator (2), timer (3), heater control (4), flames control (5) and main power (6).

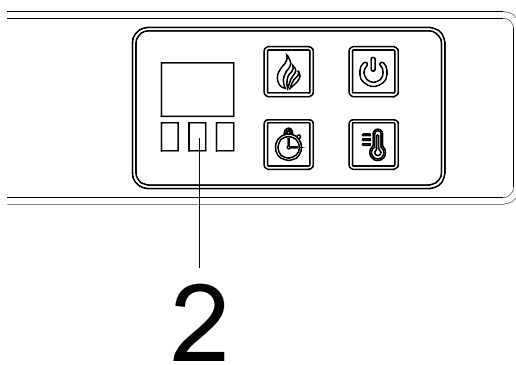
The display (1) shows information about the flame level, timer and current temperature.



-Understanding the function indicator

- The function indicator (2) has three LEDs – red, green and blue. The red LED is for the Fahrenheit heating function, the green LED is for Celsius and the blue LED indicates the timer is active.

The infrared receiver, which communicates with the remote control, is at the bottom of the three LEDs.

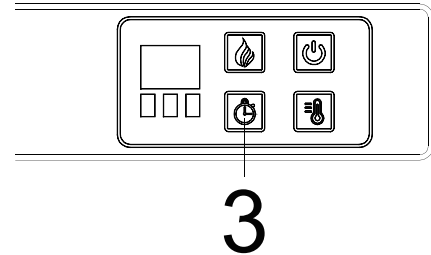


Operation

-Using the timer

This function (3) lets you choose how long you would like the unit to run. The timer can be used for the flames and heater. If the heater is on when the timer is set, then the timer will control the heater. If the flames are on when the timer is set, then the timer will control the flames. If both are on when setting the timer, it will control both. Pressing the button in sequence will set time you want. There is no clock function for tuning the heater or flames on/off at a specific time.

Button Press	Timer Interval	Display
1st press	30 Minutes	30
2nd press	1 Hour	1h
3rd press	2 Hours	2h
4th press	3 Hours	3h
5th press	4 Hours	4h
6th press	5 Hours	5h
7th press	6 Hours	6h
8th press	OFF	None



-Using the heater control

The heater button (4) turns the heater on or off. There is no speed setting. If you put the heater on standby, it will remember the previous settings. When turned back on, it will resume with the same settings.

-When the heating function turns on, hold the heater button (4) for five seconds to adjust the temperature – the LED will be red. When adjusting, the display (1) flashes.

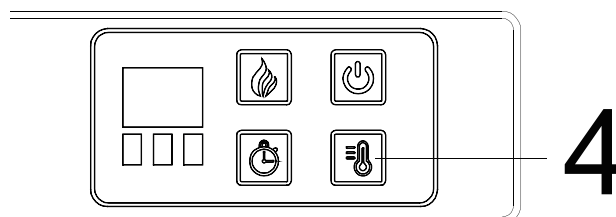
There are 22 levels for the Fahrenheit temperature.

Once set, the display (1) flashes five times.

If idle for 10 seconds, the display will turn off.

-When the heater is on, gently hold the main power button for five seconds to convert the temperature. The red LED flashes five times, then changes to green. When converting, the display (1) flashes. Hold the heater button (4) for five seconds to adjust the temperature. There are 12 levels for the Celsius temperature. Once set, the display (1) flashes five times. If idle for 10 seconds, the display turns off.

Repeat the same process to convert from Celsius to Fahrenheit.



Operation

-Using the flame control

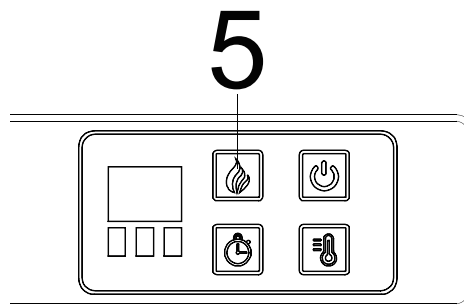
Press the flame button (5) to set the height of flames. The levels are shown in the display. The flames are shown in the display (1). The flame settings are as follows:

Button Press	Flame Level	Display value	Fireplace Appearance
1st press	High	L3	Flames Highest, Logs Glow Highest
2nd press	Medium	L2	Flames Medium, Logs Glow Medium
3rd press	Low	L1	Flames Low, Logs Glow Low
4th press	All Off	None	Flames Off, Logs off

-Regardless of the previous flame setting, when switched off by the main power button, the flames will come on at L3 (high) when turned back on.

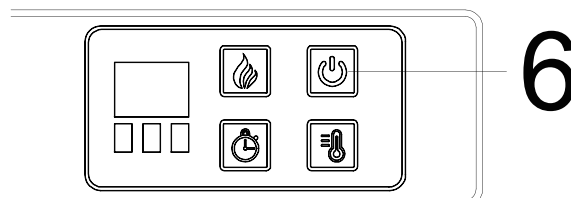
When the heating function is on, the flame will cycle between the three different levels continuously.

Button Press	Flame Level	Display value	Fireplace Appearance
1st press	High	L3	Flames Highest, Logs Glow Highest
2nd press	Medium	L2	Flames Medium, Logs Glow Medium
3rd press	Low	L1	Flames Low, Logs Glow Low

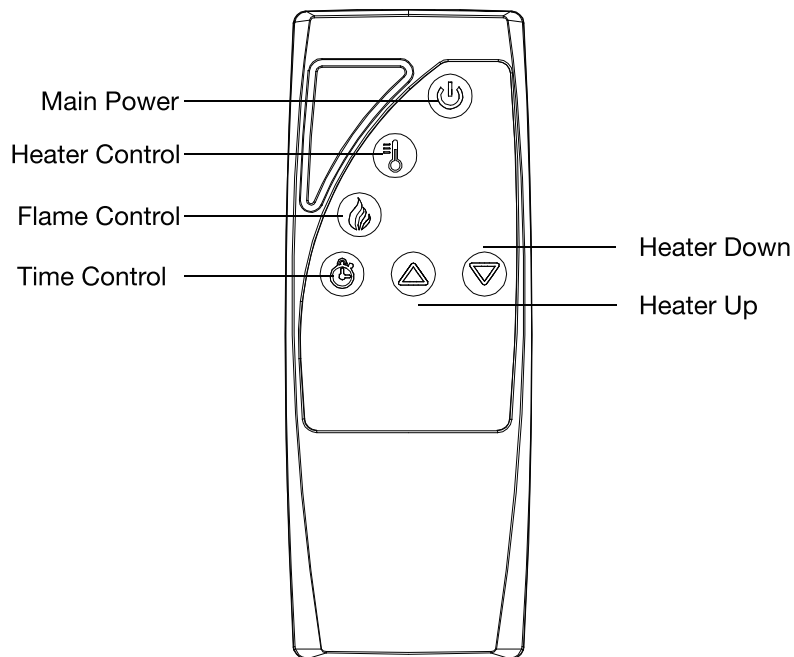


-Using the main power button

Press the power button (6) to turn the unit on and off.



Using the Remote Control



-Using the remote control

-You can use either the remote control or panel to operate this unit.

NOTE: The remote control cannot be used to switch between Fahrenheit and Celsius.

-Install the battery

Use AAA batteries.

Press down and slide the back cover off the battery compartment.

Insert the two provided AAA batteries into the compartment, ensuring the negative symbols (-) are against the springs.

Place the battery compartment cover, ensuring it snaps into position,

WARNING: Do not ingest batteries.

1. Do not charge non-rechargeable batteries.
2. Ensure batteries are inserted with the correct polarity.
3. Remove dead batteries from the product.
4. Always purchase the correct size and grade of battery.
5. Replace sets of batteries at the same time – do not mix old and new.
6. Before inserting, ensure the contacts and device are clean.
7. If not in use for a long time, remove the batteries.



NOTE:

Battery disposal
Please always dispose
of batteries at a suitable
recycling point.



Care and Maintenance

! WARNING Always switch off and unplug the unit before cleaning.

WARNING: If any parts have contacted water, do not use this unit. Immediately call a qualified technician, so they can inspect and replace any water-damaged parts.

The blower and flame motor are pre-lubricated, so it is durable and built to last – no further lubrication or maintenance is needed. To remove dust and debris, use a soft brush to clean the grills.

-Use a soft, clean cloth, so the surface is not scratched when cleaning.

-Use a soft cloth, which is dampened with warm water, to clean the surface. DO NOT use household or abrasive cleaners – these could damage the surface.

-When cleaning the screen, use a non-abrasive damp cloth with a liquid cleaner. Do not use cleaning powders or abrasive cleaners – these substances will scratch the glass.

-Under no circumstances should this product be used with a broken or chipped glass panel.

-Do not strike or slam the glass.

-If the appliance is damaged or stained, do not use – it should be fixed by a professional.

-When not in use, unplug the unit.

Troubleshooting

Problem	Solution
The unit does not turn on.	Ensure the unit is properly plugged into a standard 120 V outlet. Press the power button on the control panel.
The unit is on, but there is no flame.	Open the back panels, so you can check if the flame spindle has fallen off from the motor.
The flame is on, but the heater does not blow warm air, even after repeatedly turning on the heater.	Press the heater button several times, ensuring it is in the 'on' position.
The heater does not work, even if the heater switches are on.	Turn all switches off, then unplug the unit for five minutes. After five minutes, plug the unit in and operate as normal. Ensure the air vents on the top and front are not blocked.
Remote control does not work.	Change the remote batteries. Operate the remote transmitter at a slow pace. Gently press the remote control buttons. Repeatedly pressing the buttons can damage the transmitter. Make sure objects are not blocking the control or transmitter.