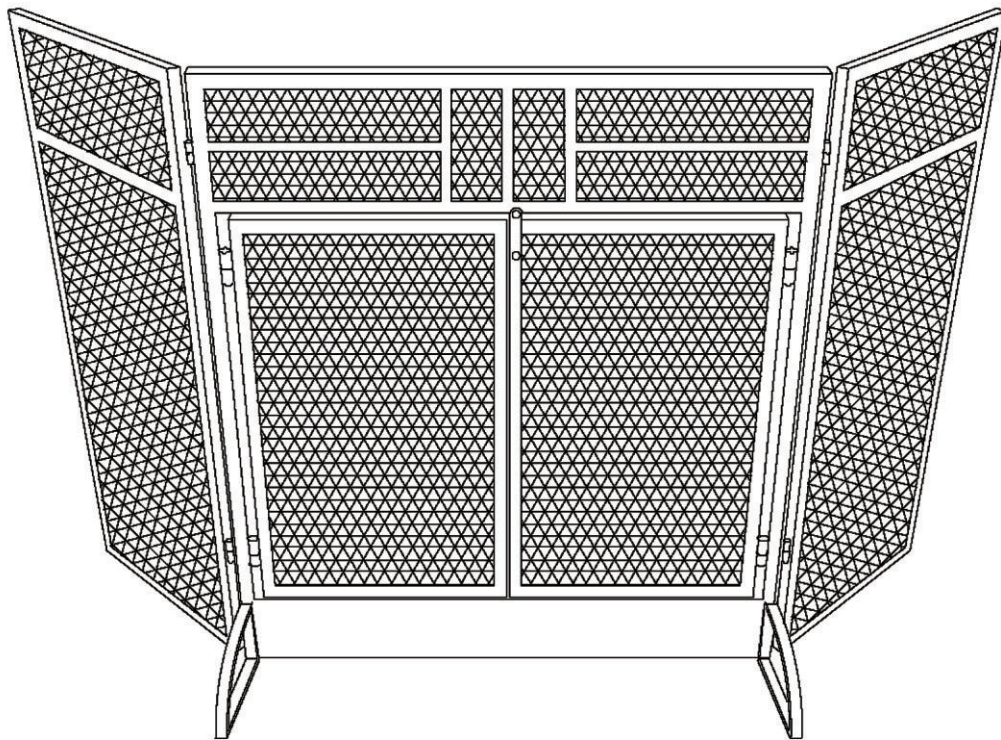




INcji001_GL_

820-237



IMPORTANT, RETAIN FOR FUTURE REFERENCE: READ CAREFULLY

ASSEMBLY & INSTRUCTION MANUAL

PARTS

A x01

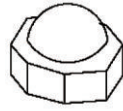


B x02



HARDWARE

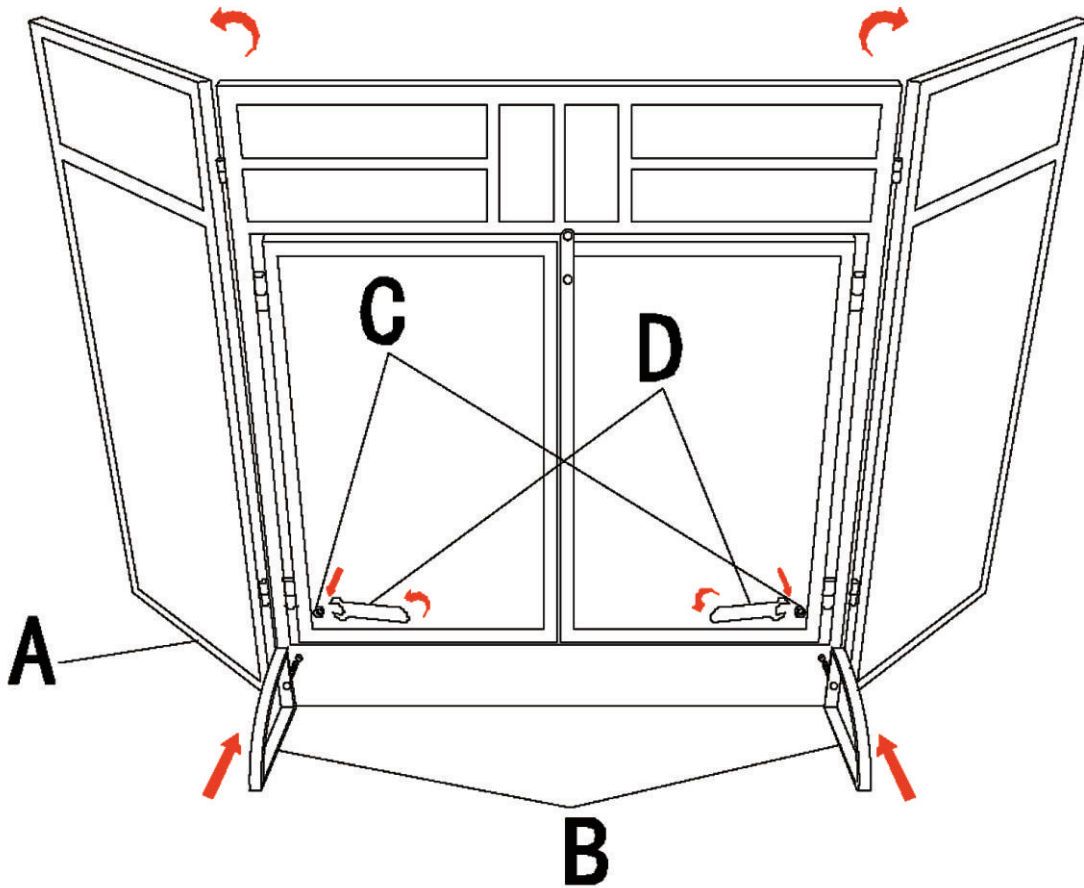
C x02



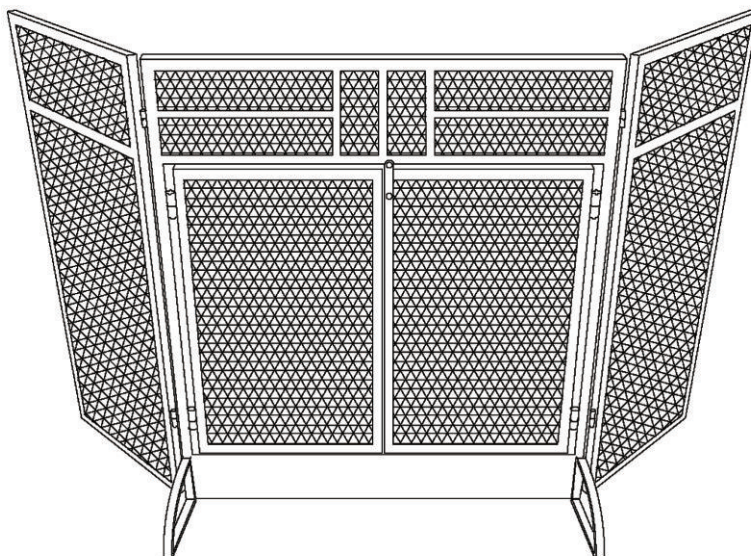
D x01



01



02



Done