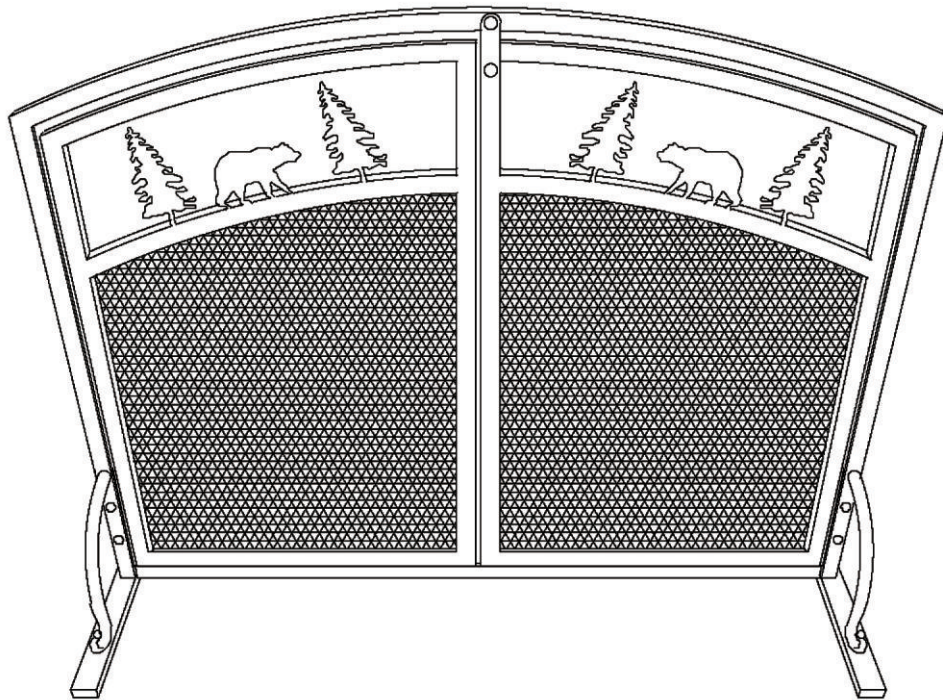




INcji002\_GL\_

**820-238**

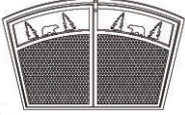


**IMPORTANT, RETAIN FOR FUTURE REFERENCE: READ CAREFULLY**

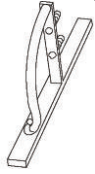
# ASSEMBLY & INSTRUCTION MANUAL

**PARTS**

**A** x01

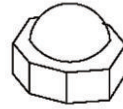


**B** x02



**HARDWARE**

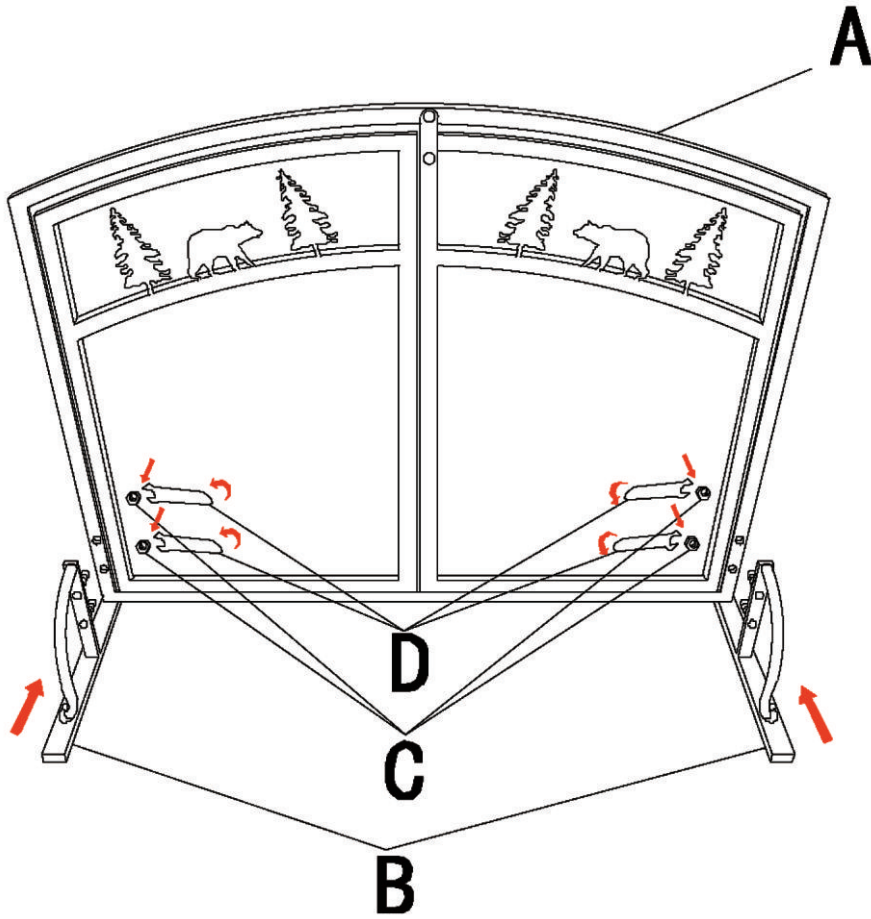
**C** x04



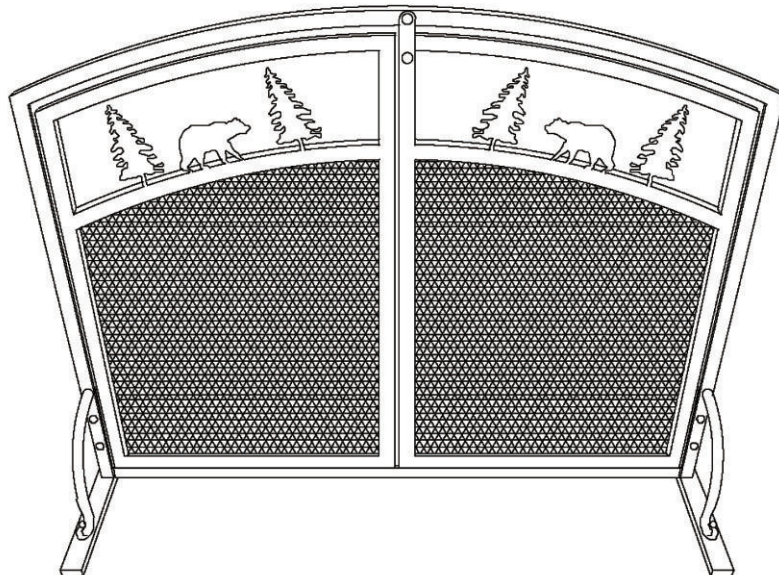
**D** x01



**01**



**02**



**Done**