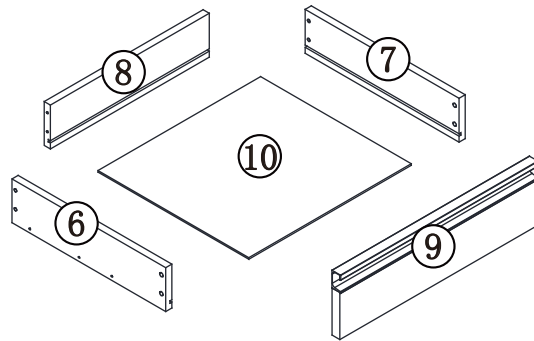
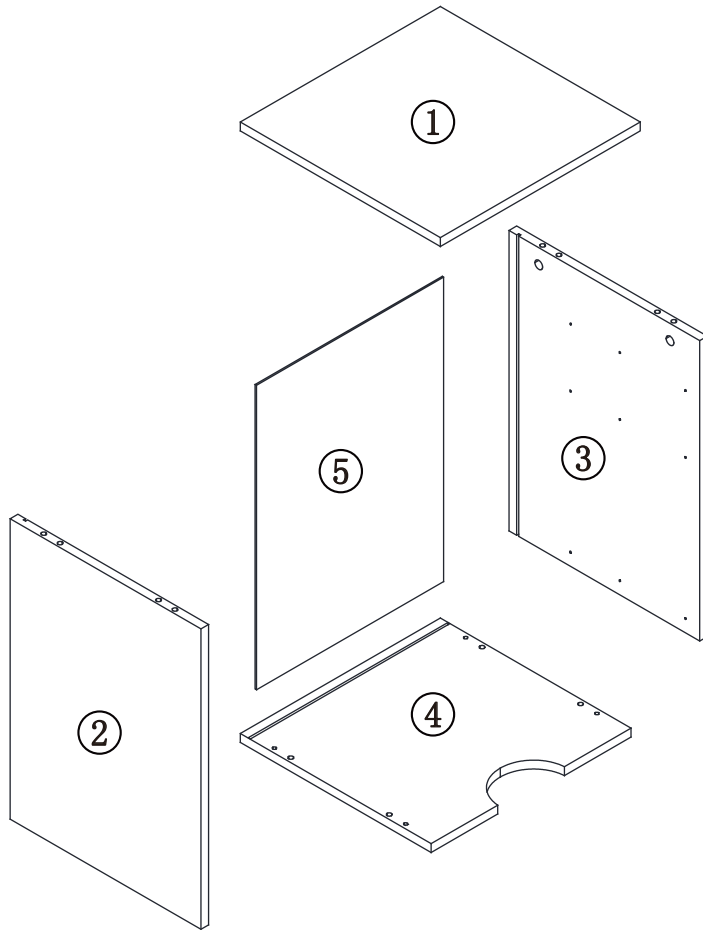
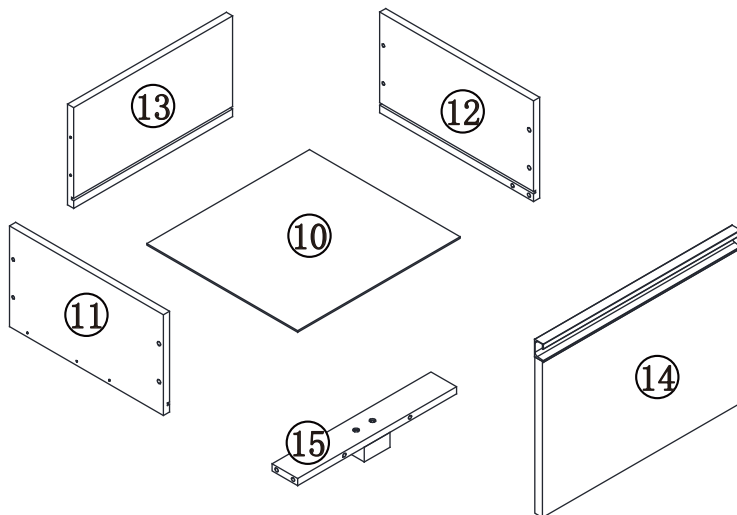


Please read these instructions and warranty information carefully before use and keep them properly for future reference.

OPERATING INSTRUCTIONS

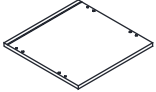
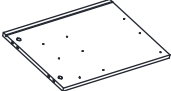
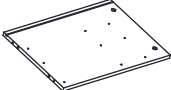
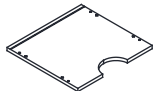

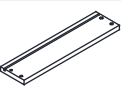
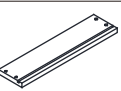
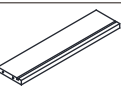

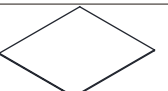
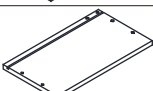
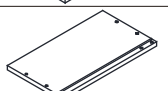

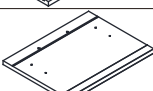
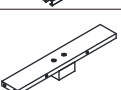
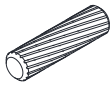
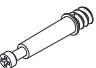




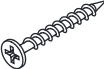
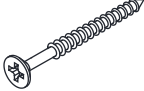




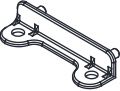
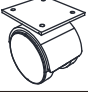








×2



PACKING DETAILS : TOTAL 1 BOX

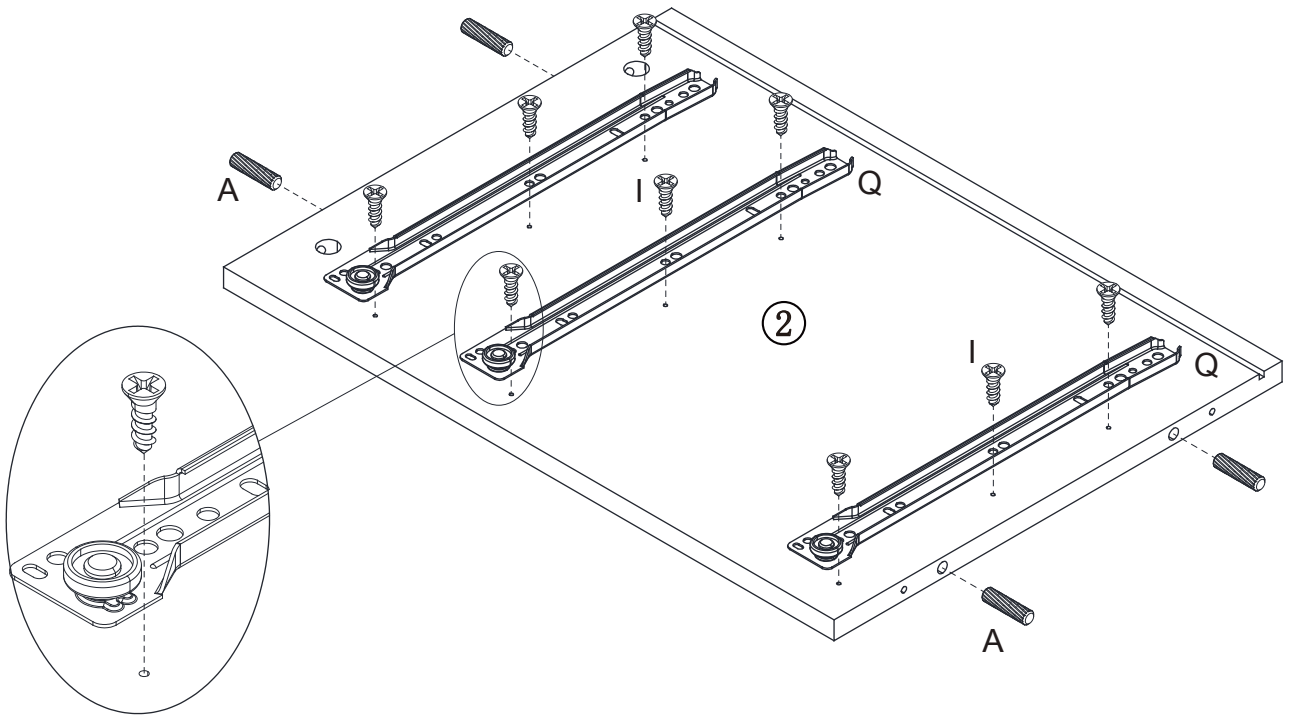
BOX 1/1:




PARTNO.	PARTS	QTY
1		x1
2		x1
3		x1
4		x1
5		x1
6		x2
7		x2
8		x2
9		x2
10		x3
11		x1
12		x1
13		x1
14		x1
15		x1
A	 Ø7.8×30mm	x8
B		x4
C		x4
D	 Ø5.8×30mm	x6

PARTNO.	PARTS	QTY
E	 Ø3.8×35mm	x12
F	 Ø5×50mm	x4
G	 Ø4.7×12.5mm	x8
H	 Ø3.5×12mm	x12
I	 Ø3.5×12mm	x36
J		x4
K		x2
L		x3
M		x2
N	 Ø4×14mm	x20
O		x8
P	 Ø3×16mm	x8
Q		x3
R		x3
S		x3
T		x3

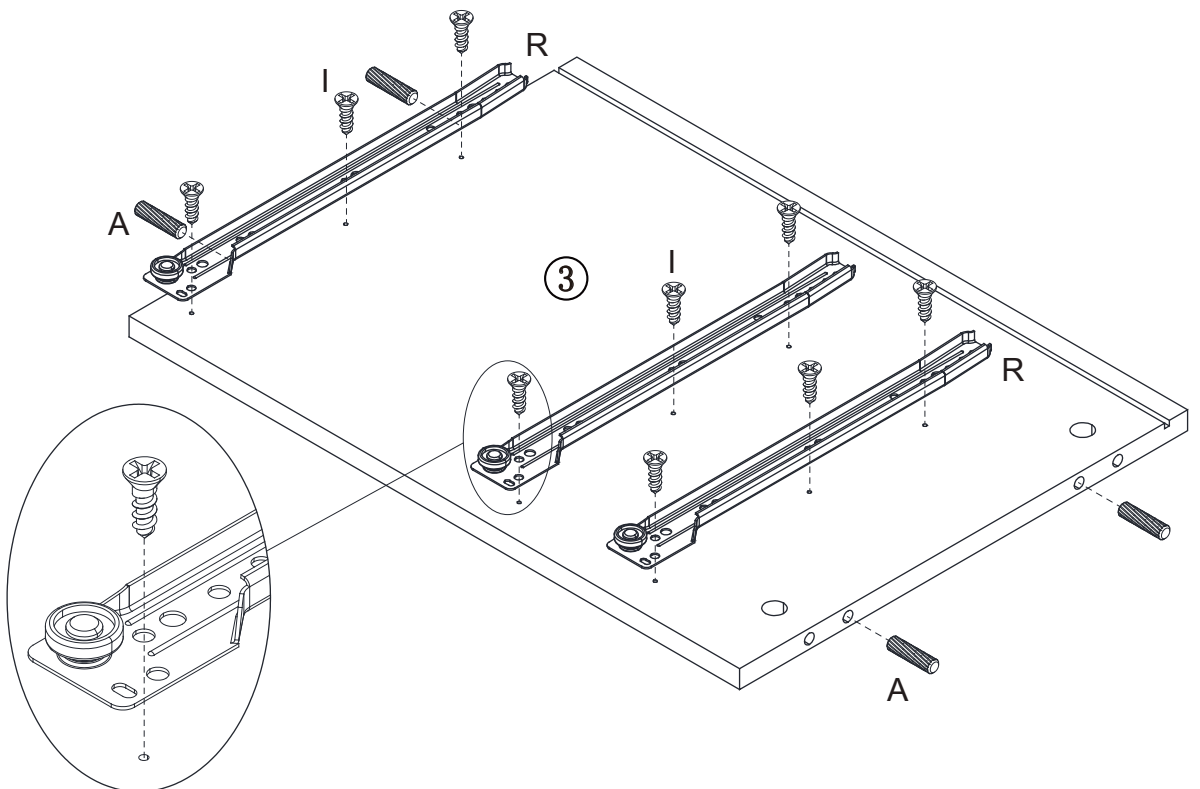
Assembly Instructions




1



A	X4	I	X9	Q	X3
					

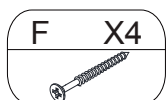
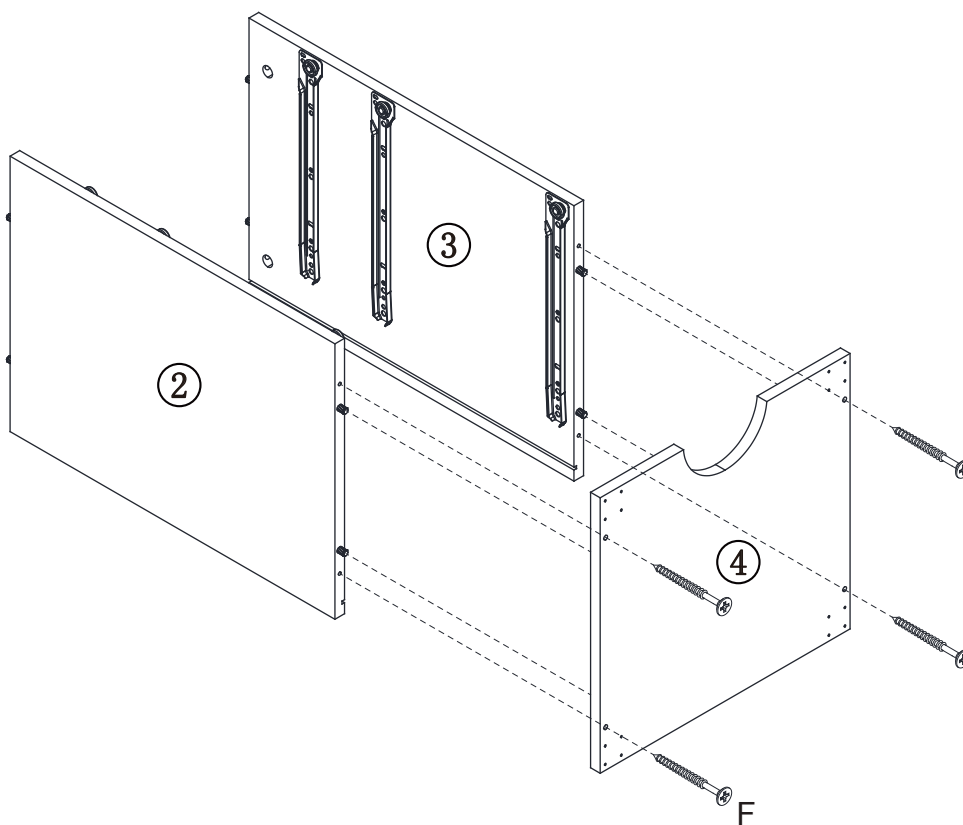
2



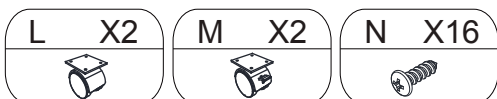
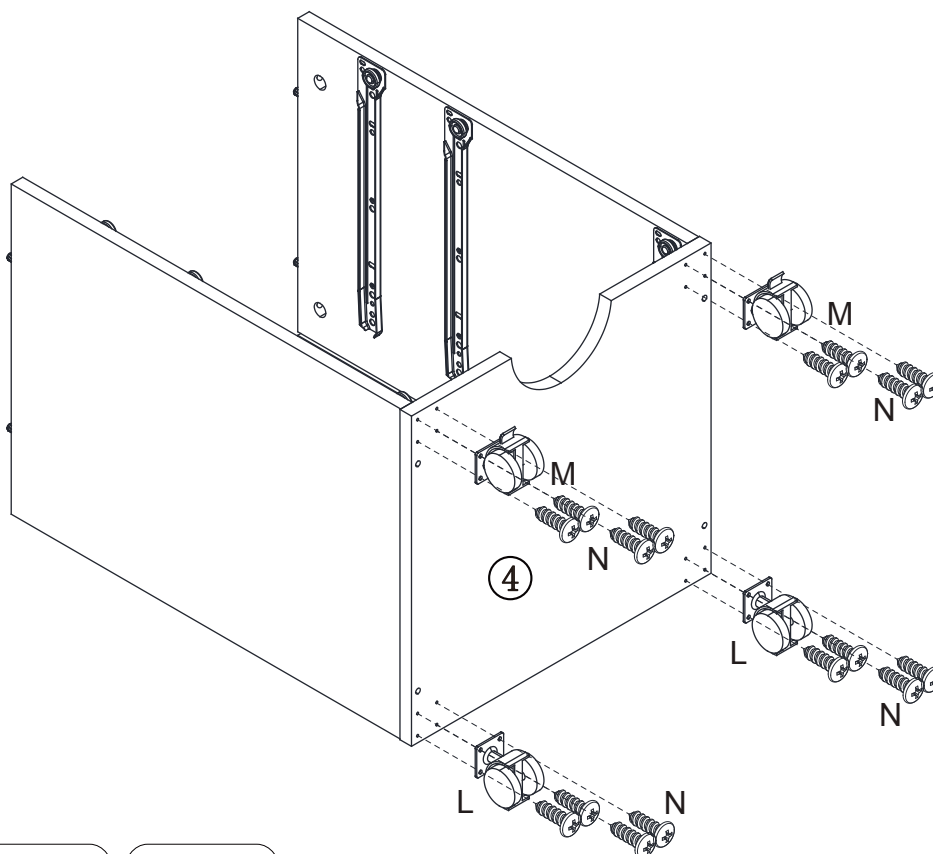
A	X4	I	X9	R	X3
					

Assembly Instructions

3

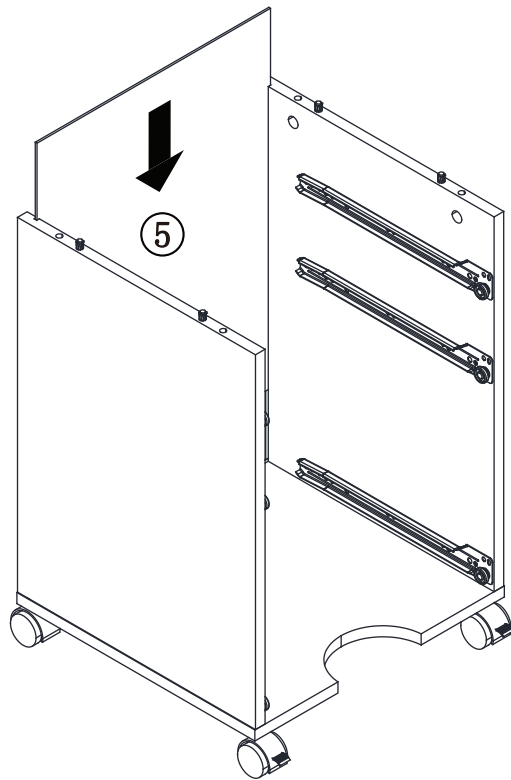


4

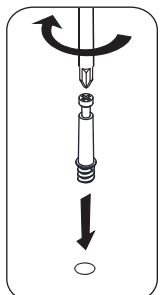
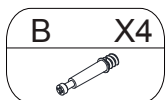
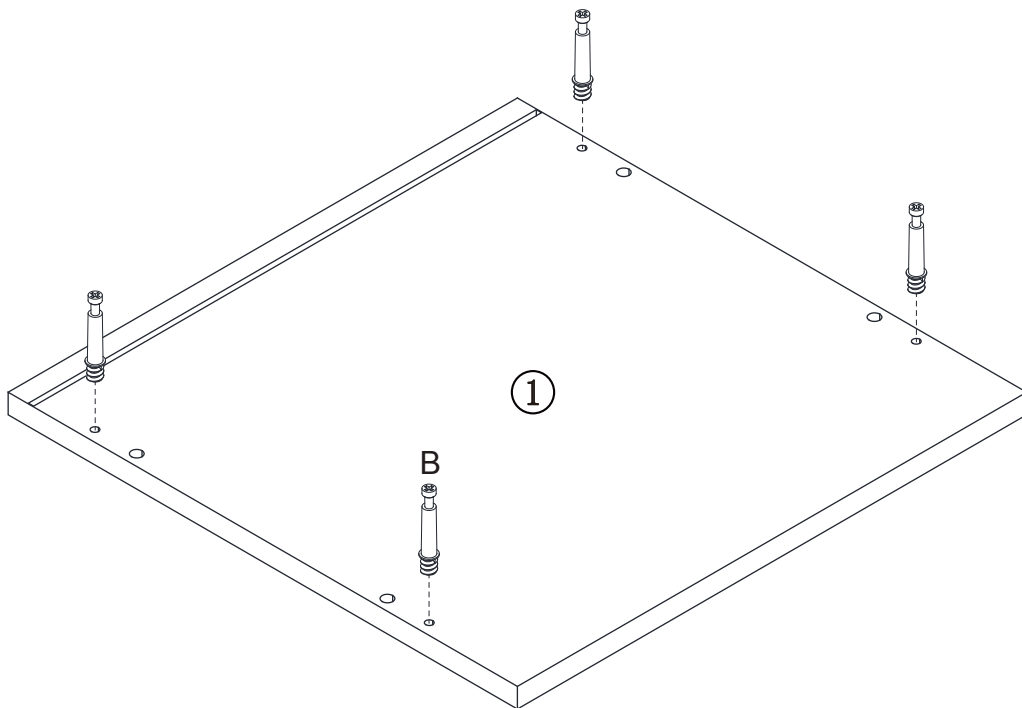


Assembly Instructions

5

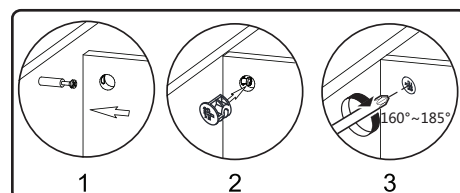
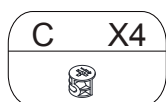
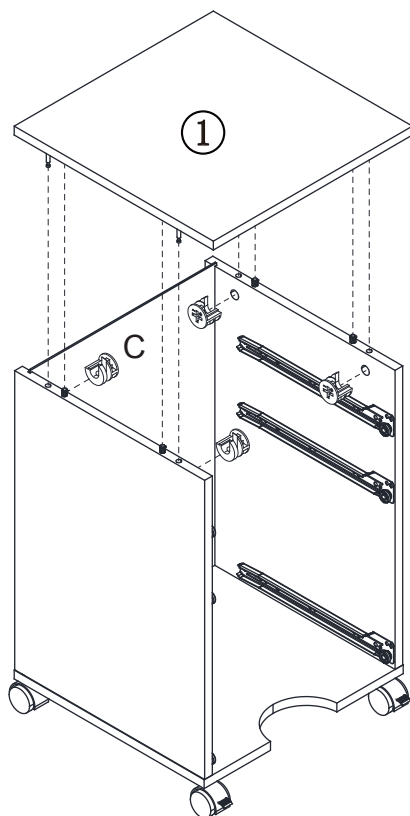


6

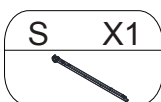
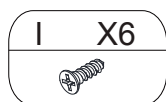
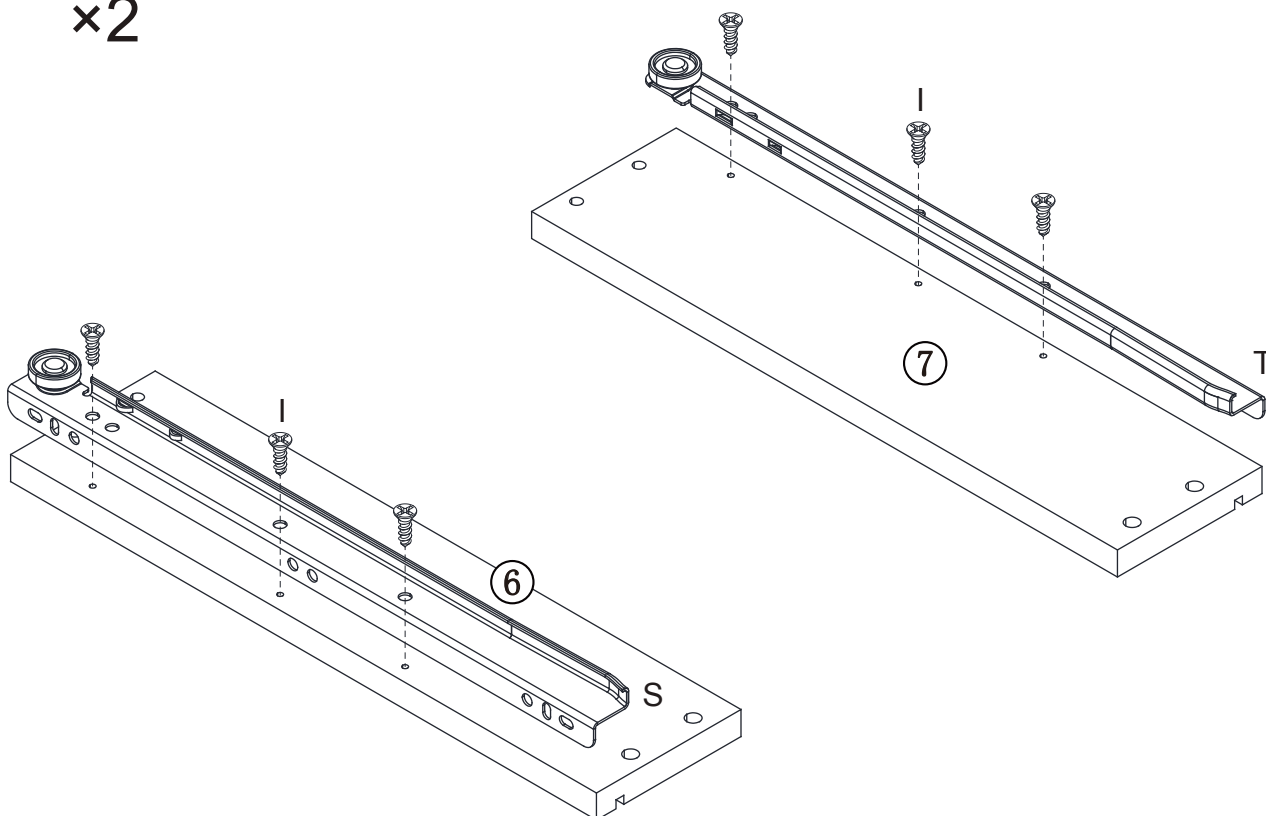


Assembly Instructions

7

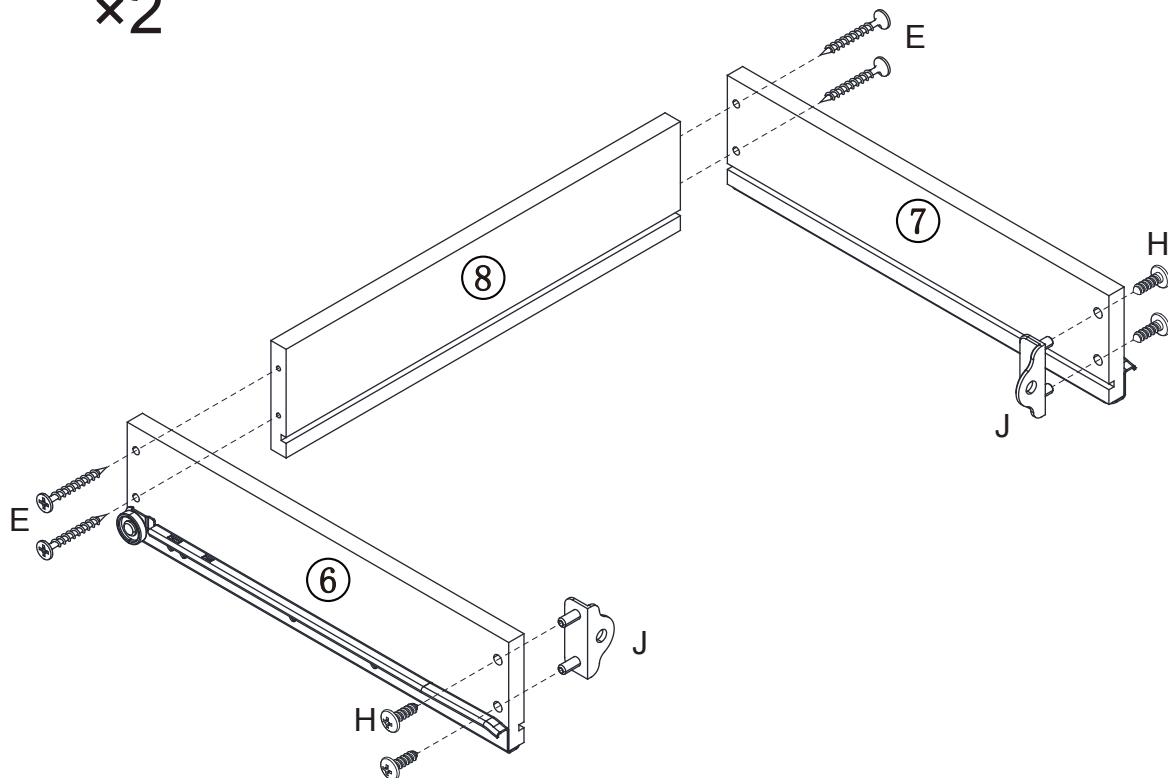


8 x2

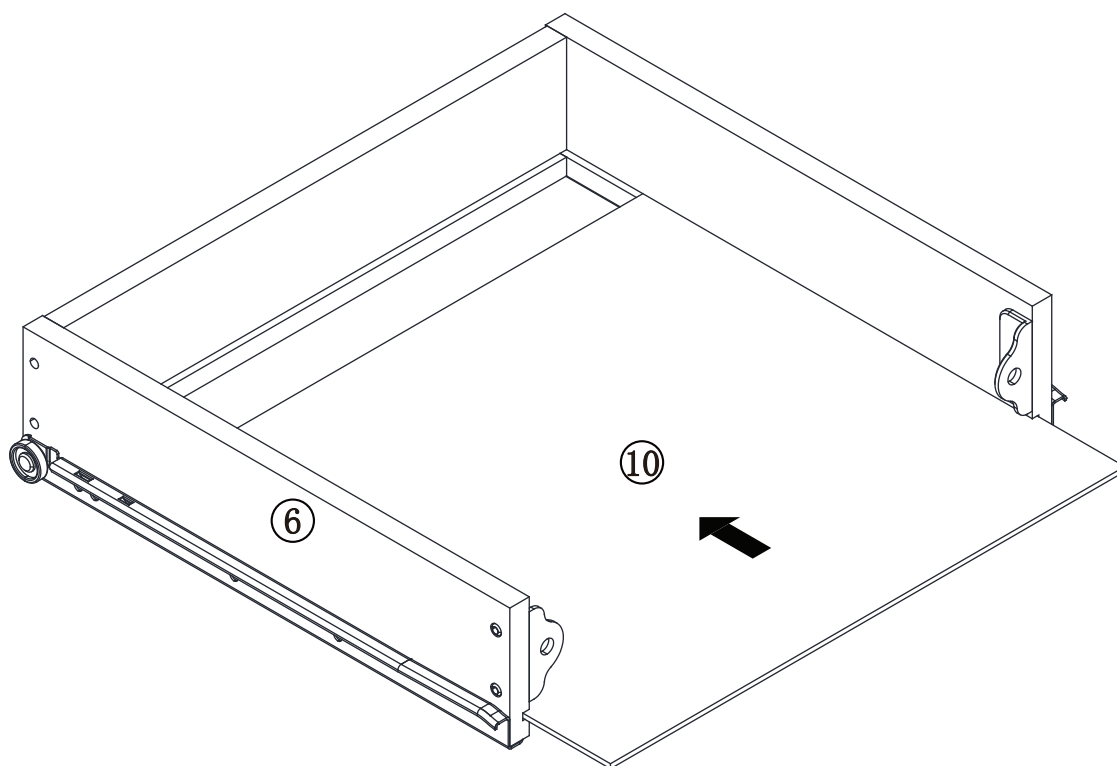


Assembly Instructions

9 ×2

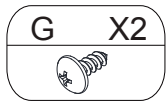
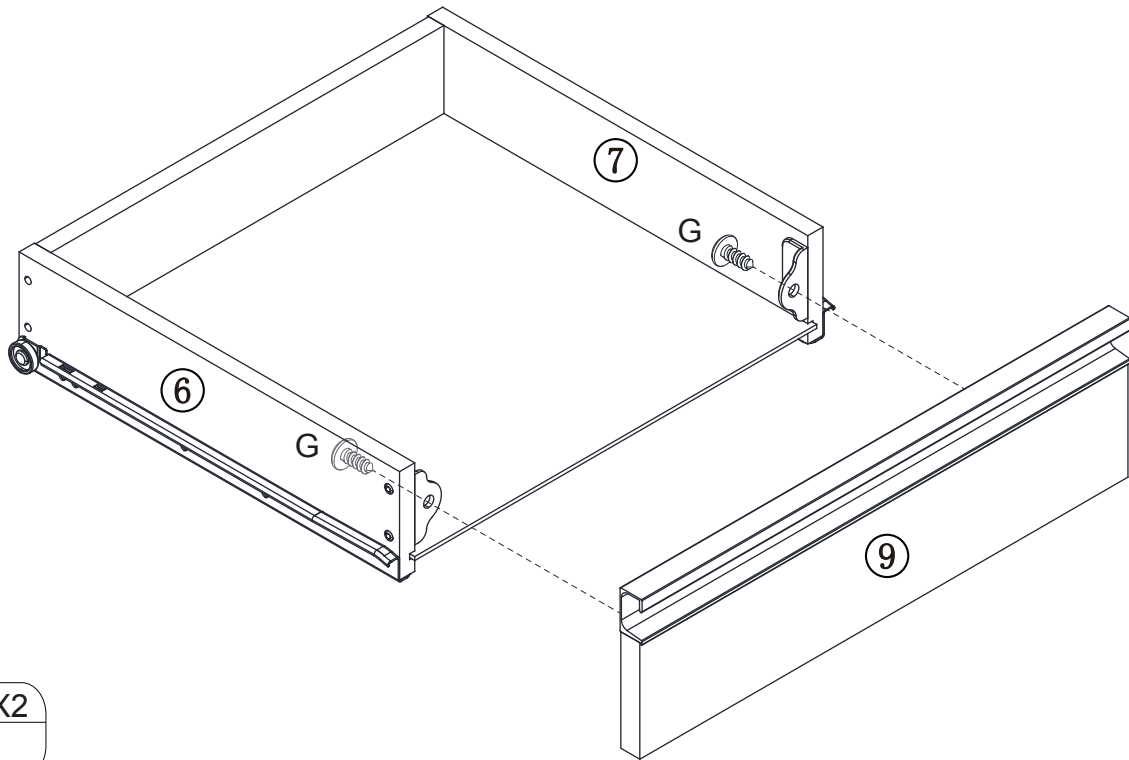


10 ×2

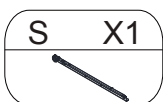
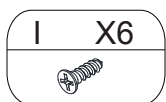
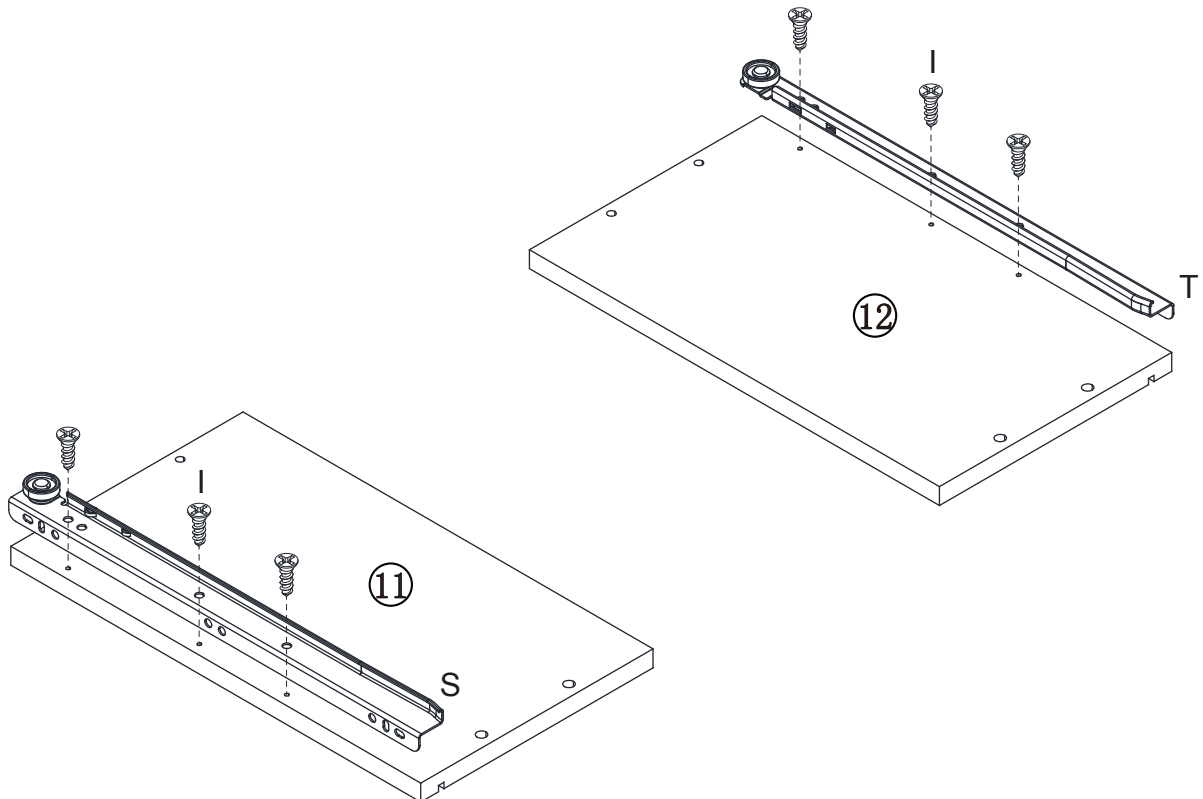


Assembly Instructions

11 ×2

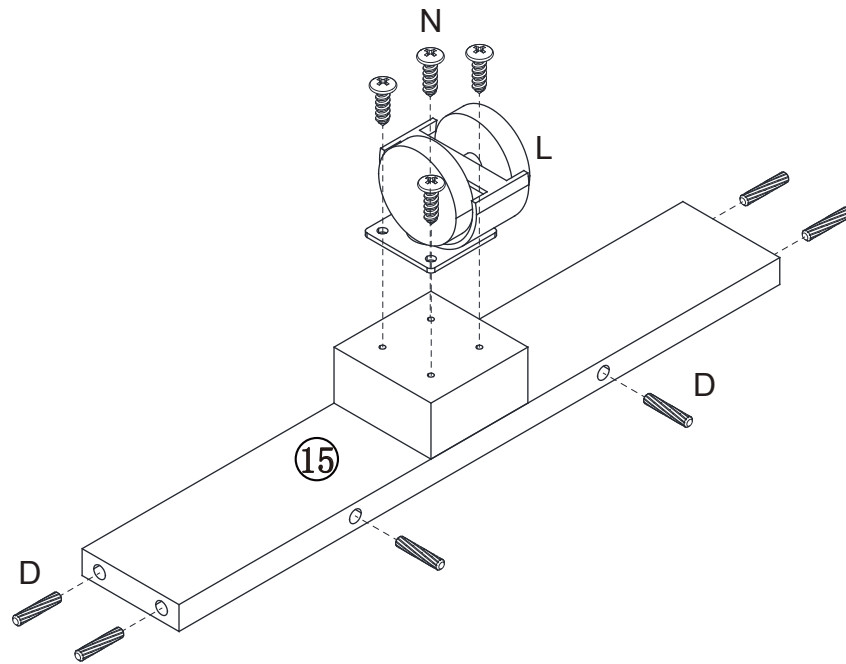


12

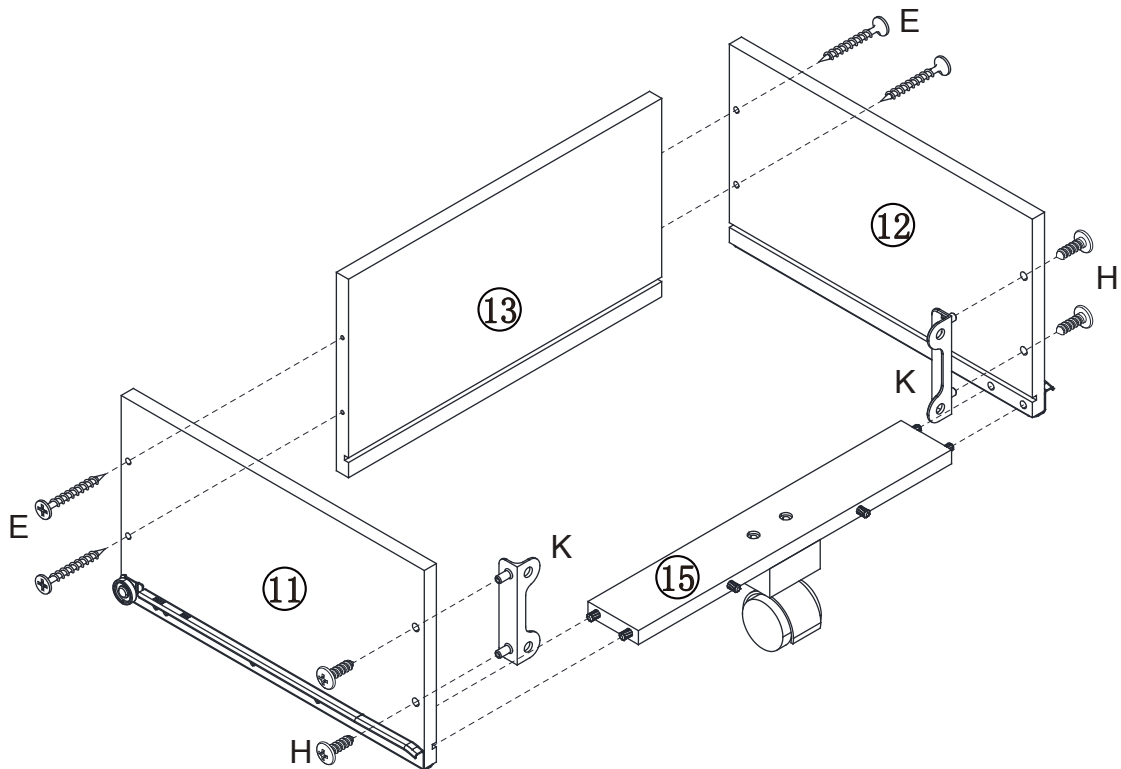


Assembly Instructions

13

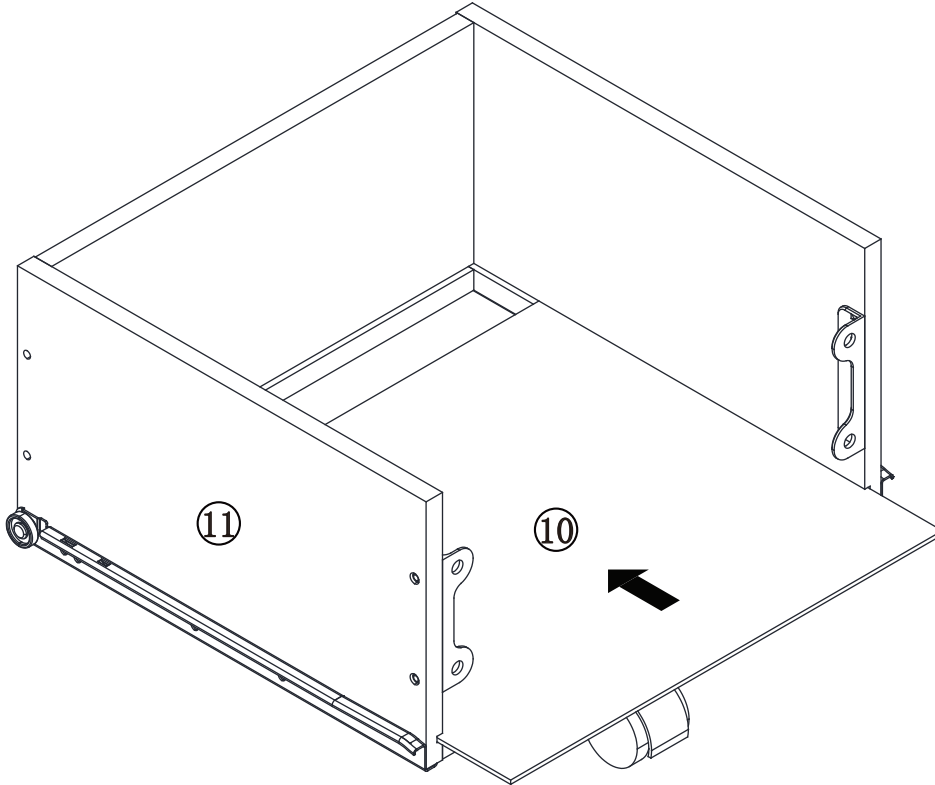


14

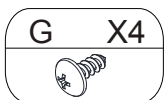
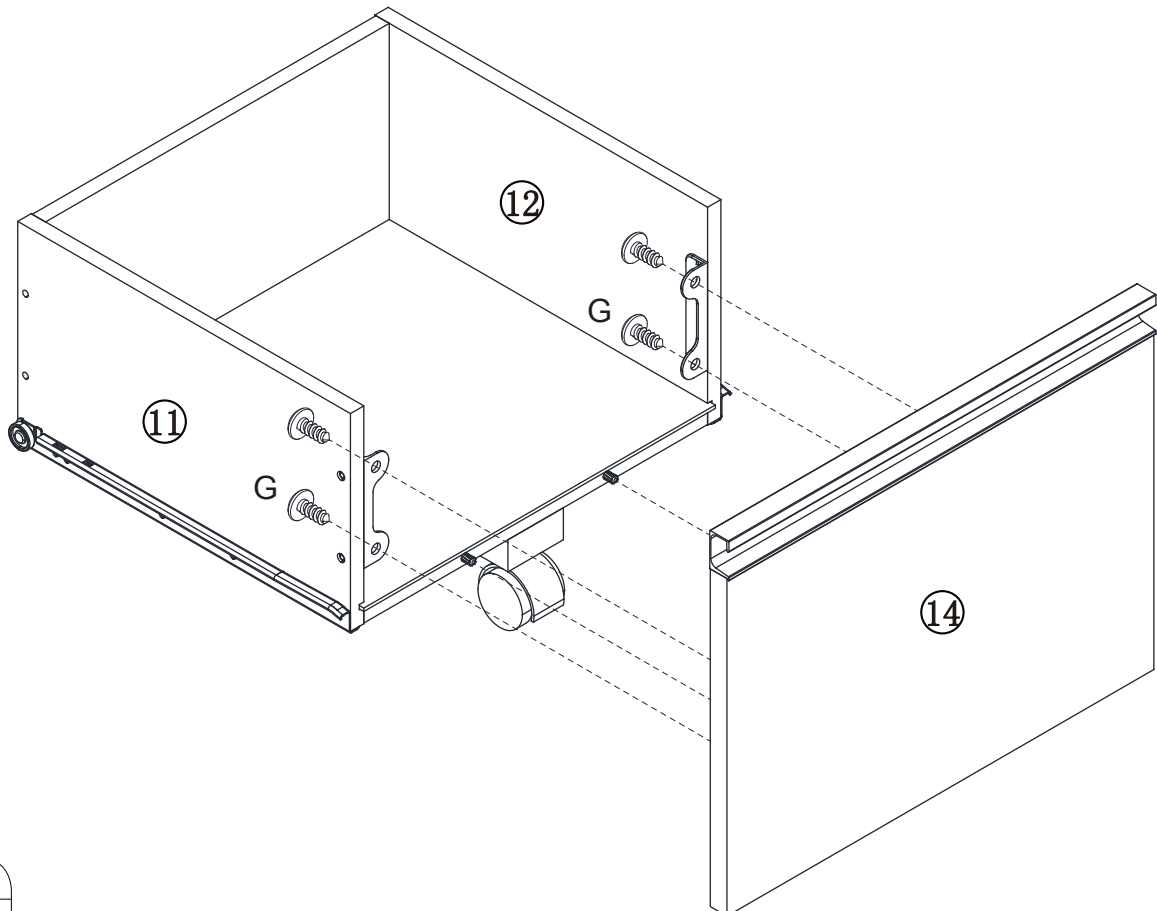


Assembly Instructions

15

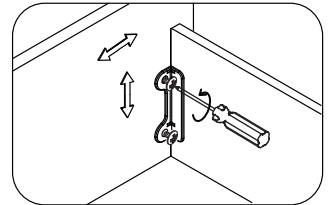
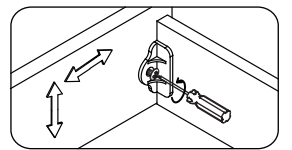
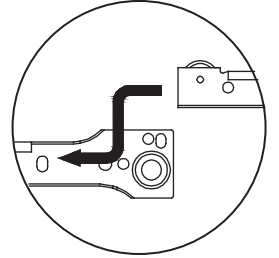
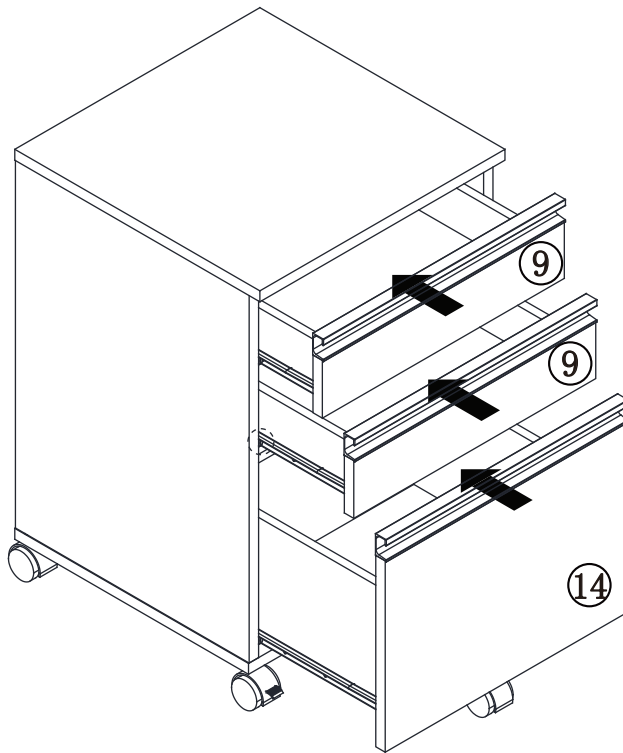


16

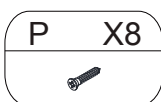
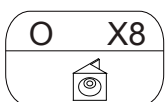
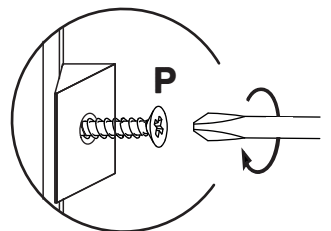
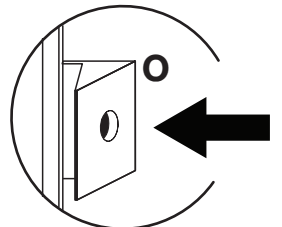
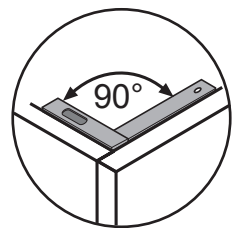
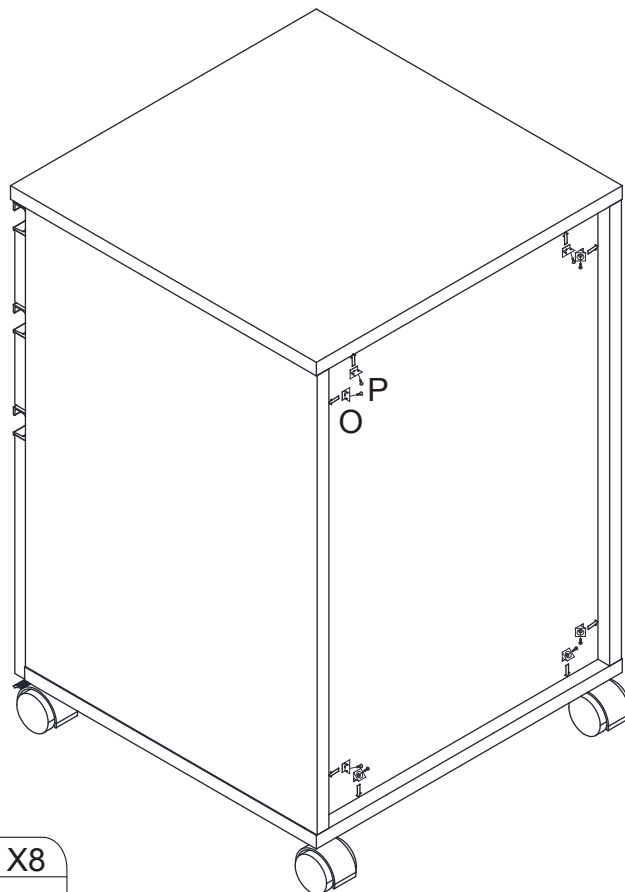


Assembly Instructions

17



18



US



001-877-644-9366
customerservice@aosom.com

CA



001-855-537-6088
customerservice@aosom.ca

UK



0044-800-240-4004
enquiries@mhstar.co.uk

DE



0049-(0)40-88307530
service@aosom.de

FR



0033-1-84166106
contact@aosom.fr

ES



0034-931294512
atencioncliente@aosom.es

IT



0039-0249471447
clienti@aosom.it