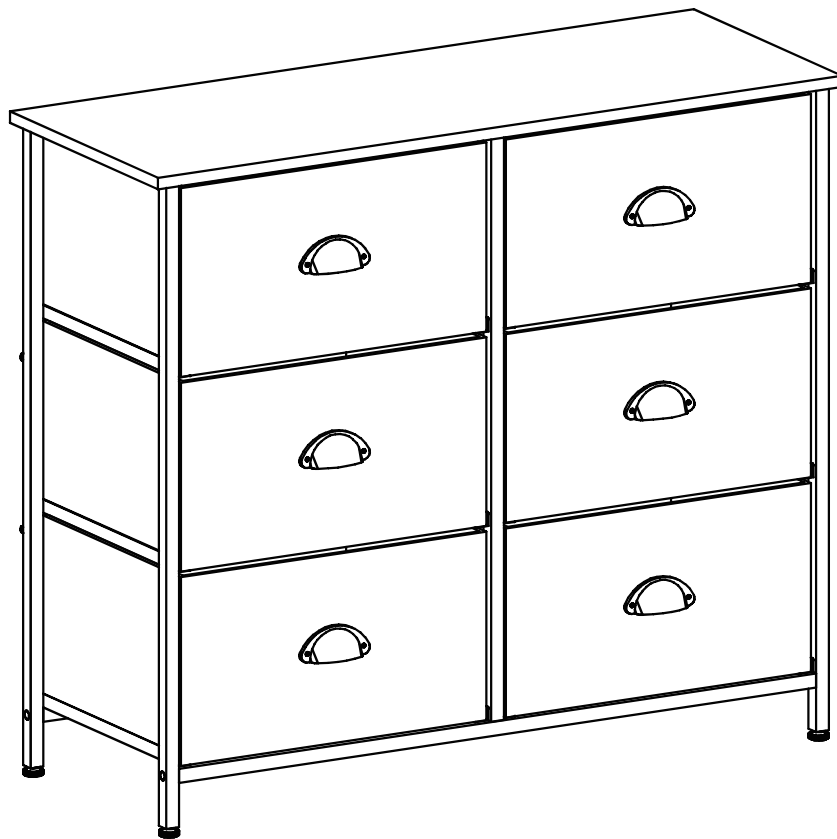




INcmc047_GL

850-149

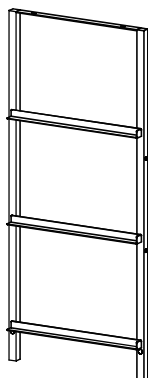


IMPORTANT, RETAIN FOR FUTURE REFERENCE: READ CAREFULLY

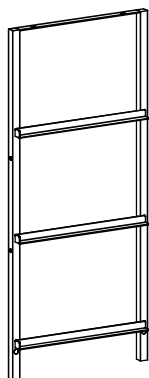
ASSEMBLY & INSTRUCTION MANUAL

PARTS

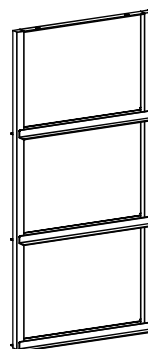
1 x01



2 x01



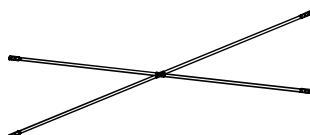
3 x01



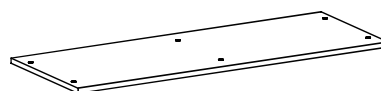
4 x02



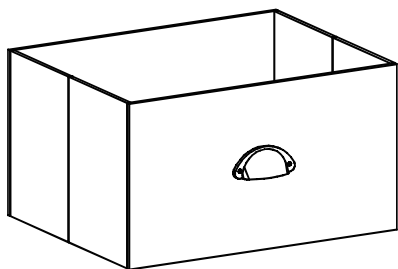
5 x01



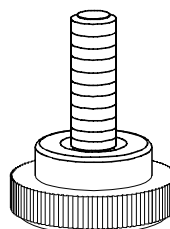
6 x01



7 x06

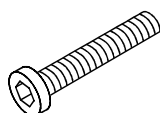


8 x04



HARDWARE

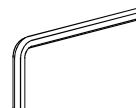
A x06
M6*30
+1(spare)



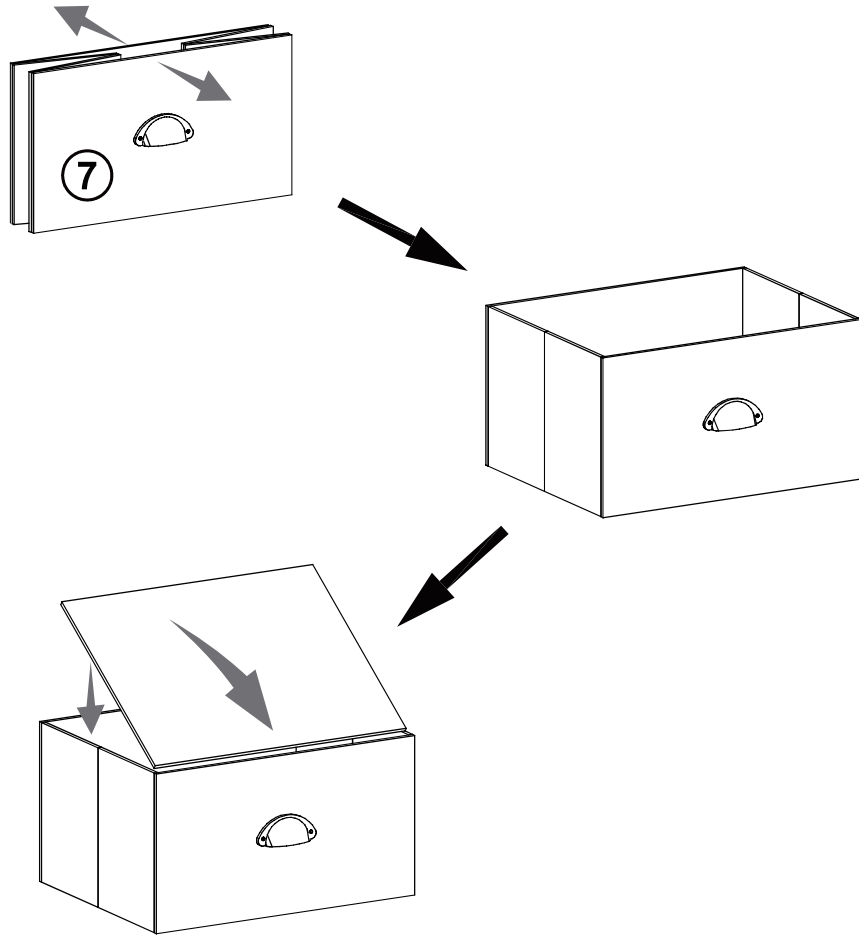
B x10
M6*8
+1(spare)



C x01



7 x06

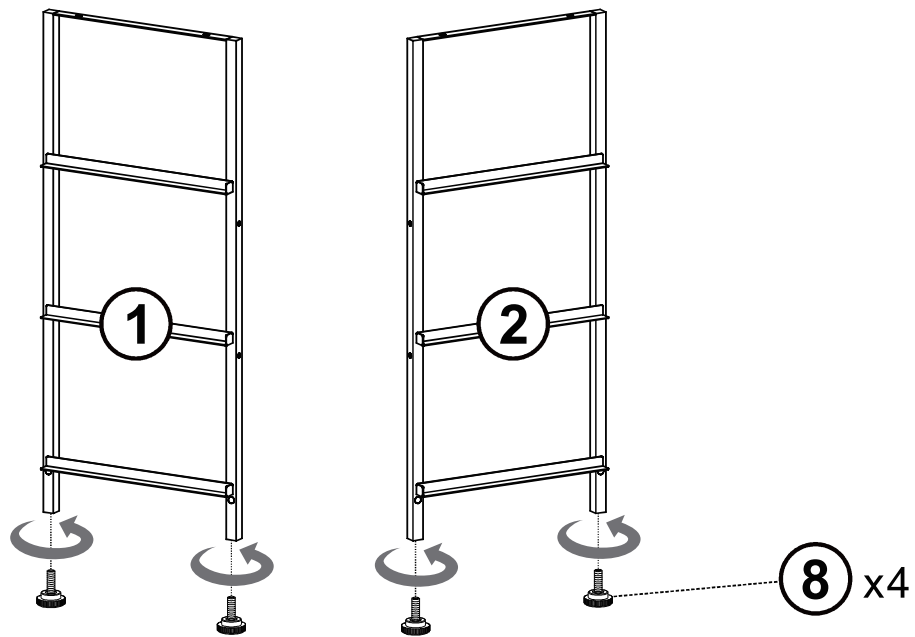


x6

1 x01

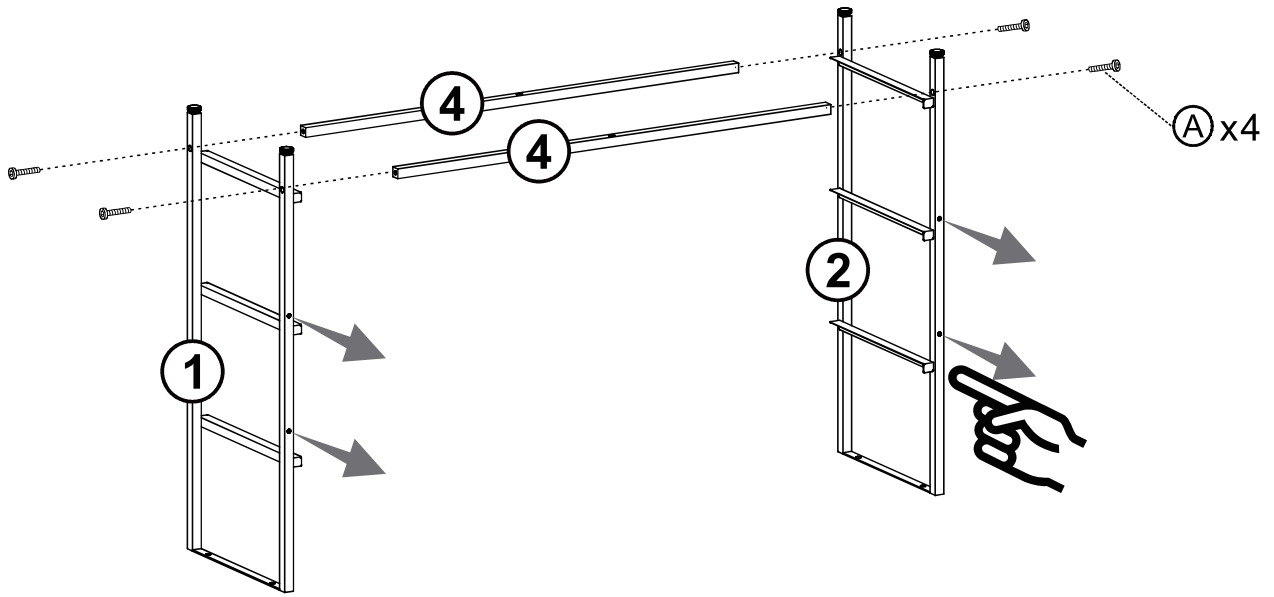
2 x01

8 x04



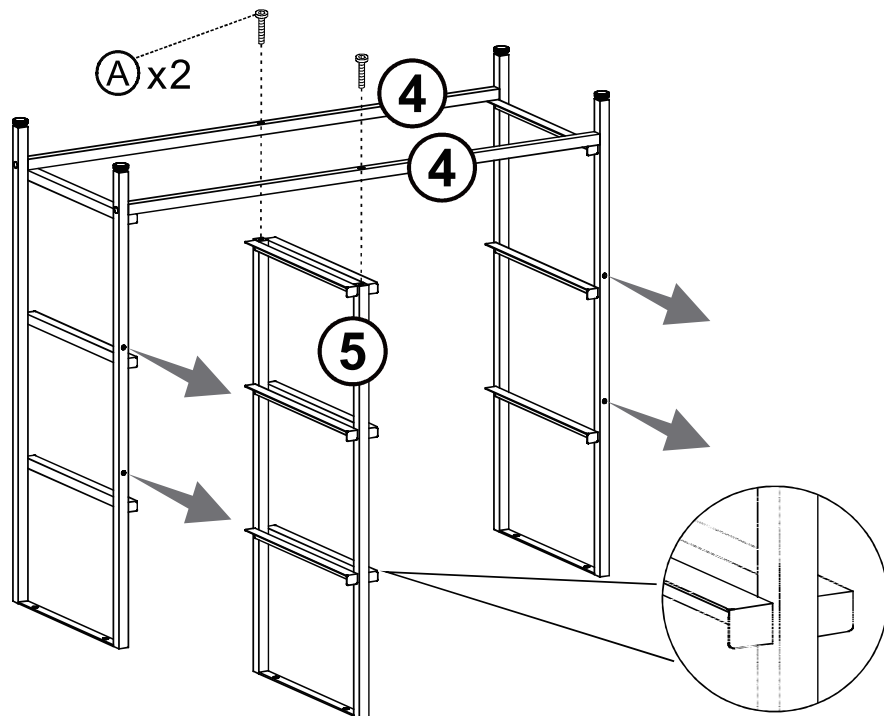
④ x02

A x04



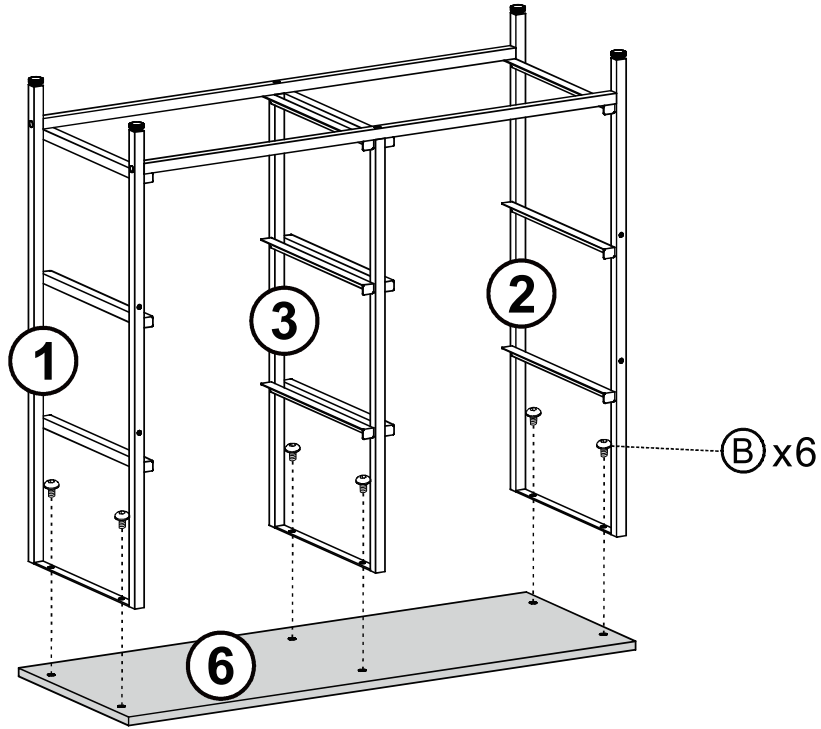
⑤ x01

A x02



⑥ x01

B x06



⑤ x01

B x04

