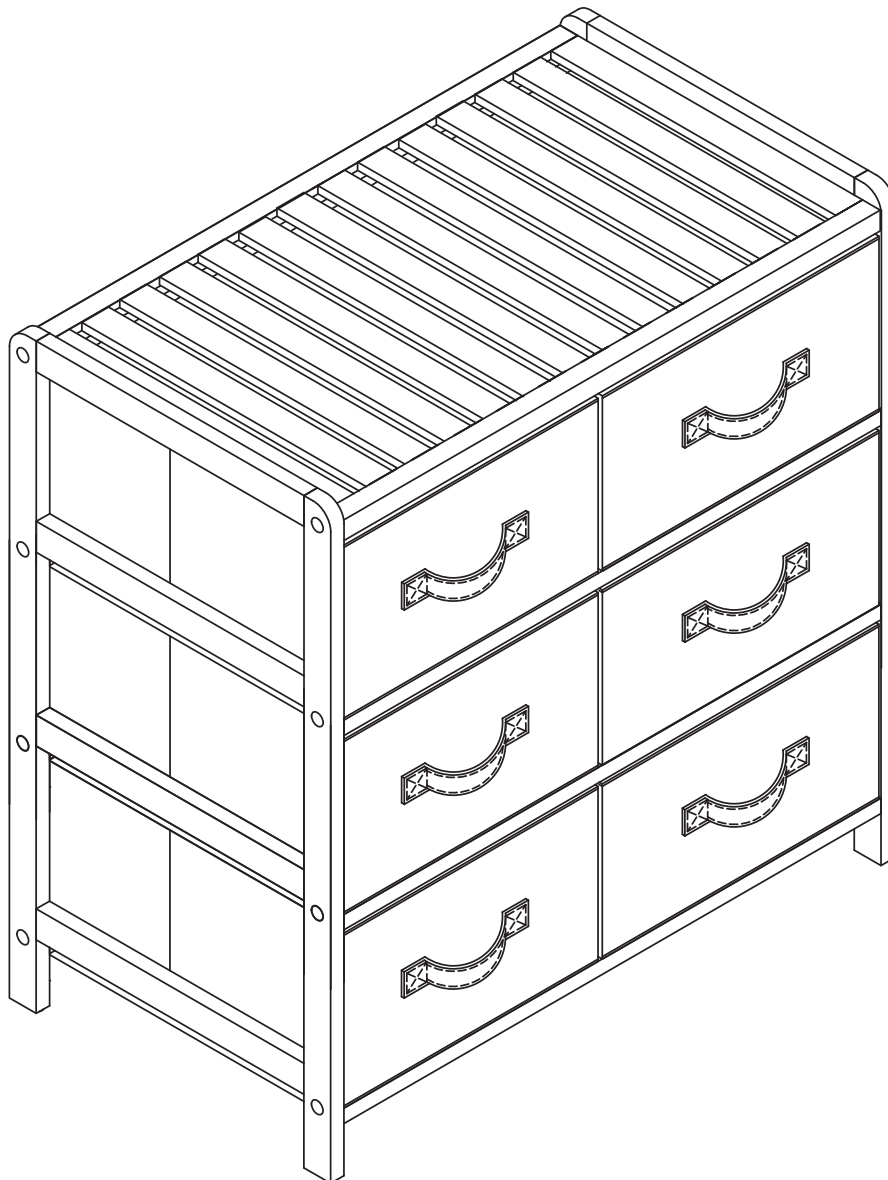




INcmc050_GL

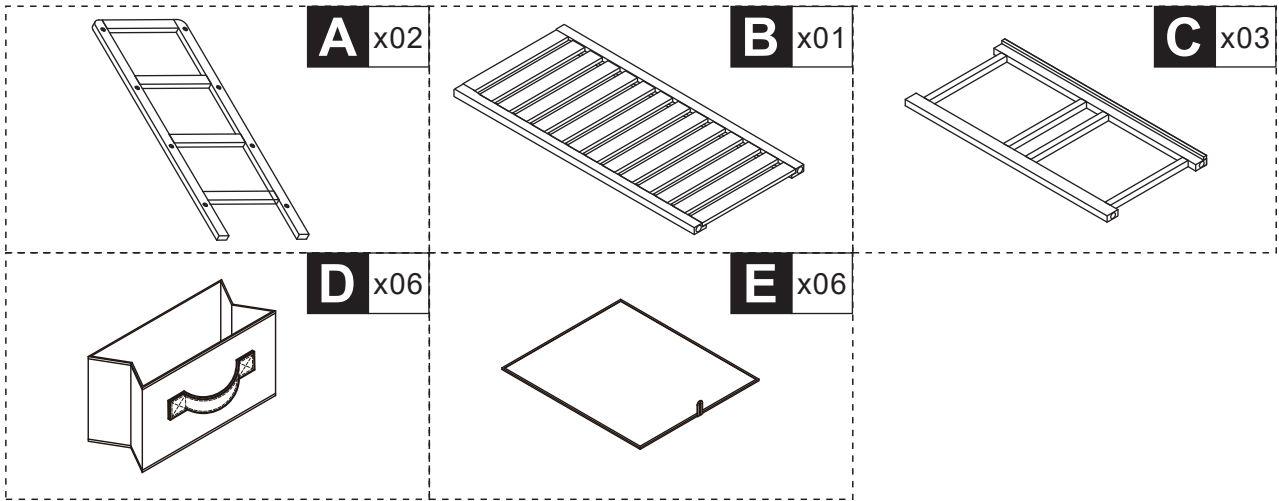
850-155



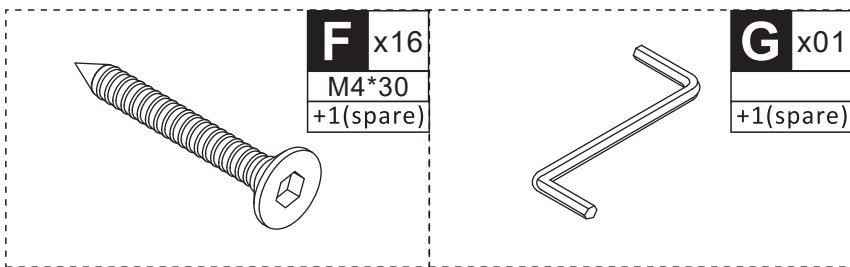
IMPORTANT, RETAIN FOR FUTURE REFERENCE: READ CAREFULLY

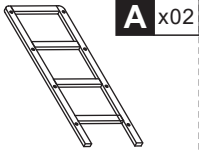
ASSEMBLY & INSTRUCTION MANUAL

PARTS

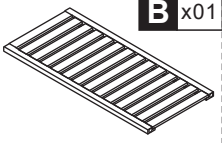


HARDWARE

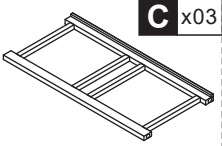




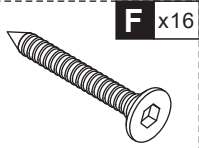
A x02



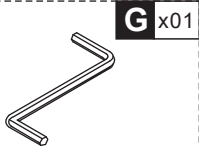
B x01



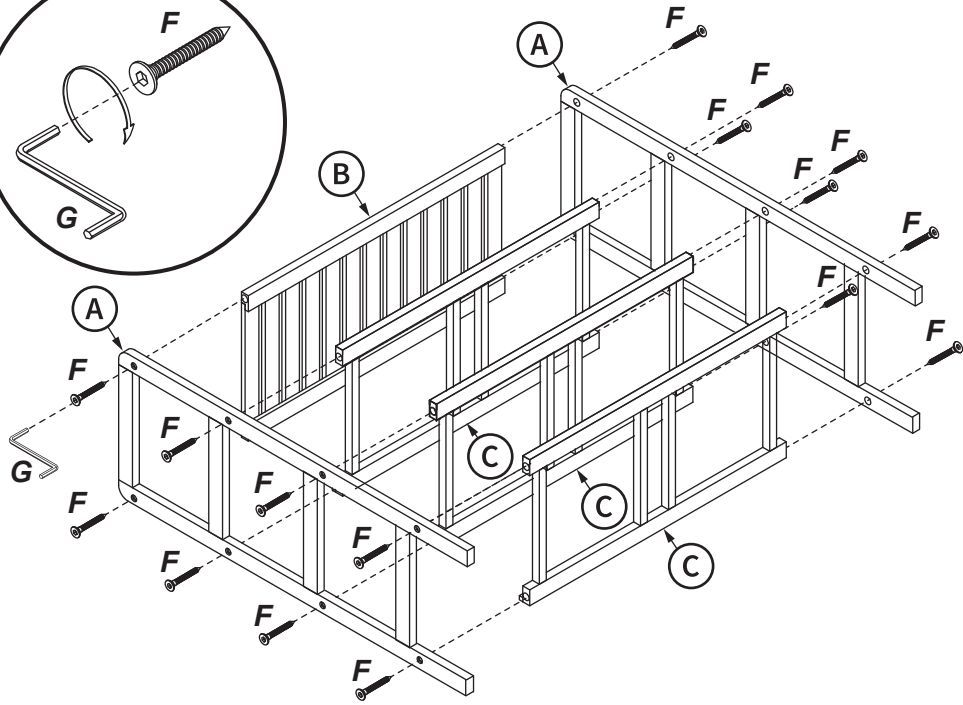
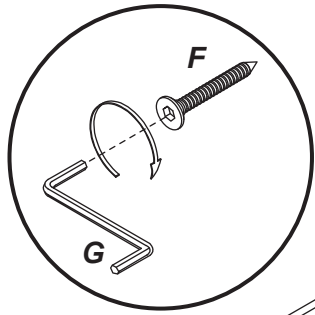
C x03



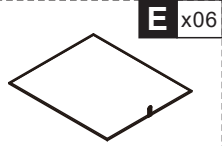
F x16



G x01



D x06



E x06

