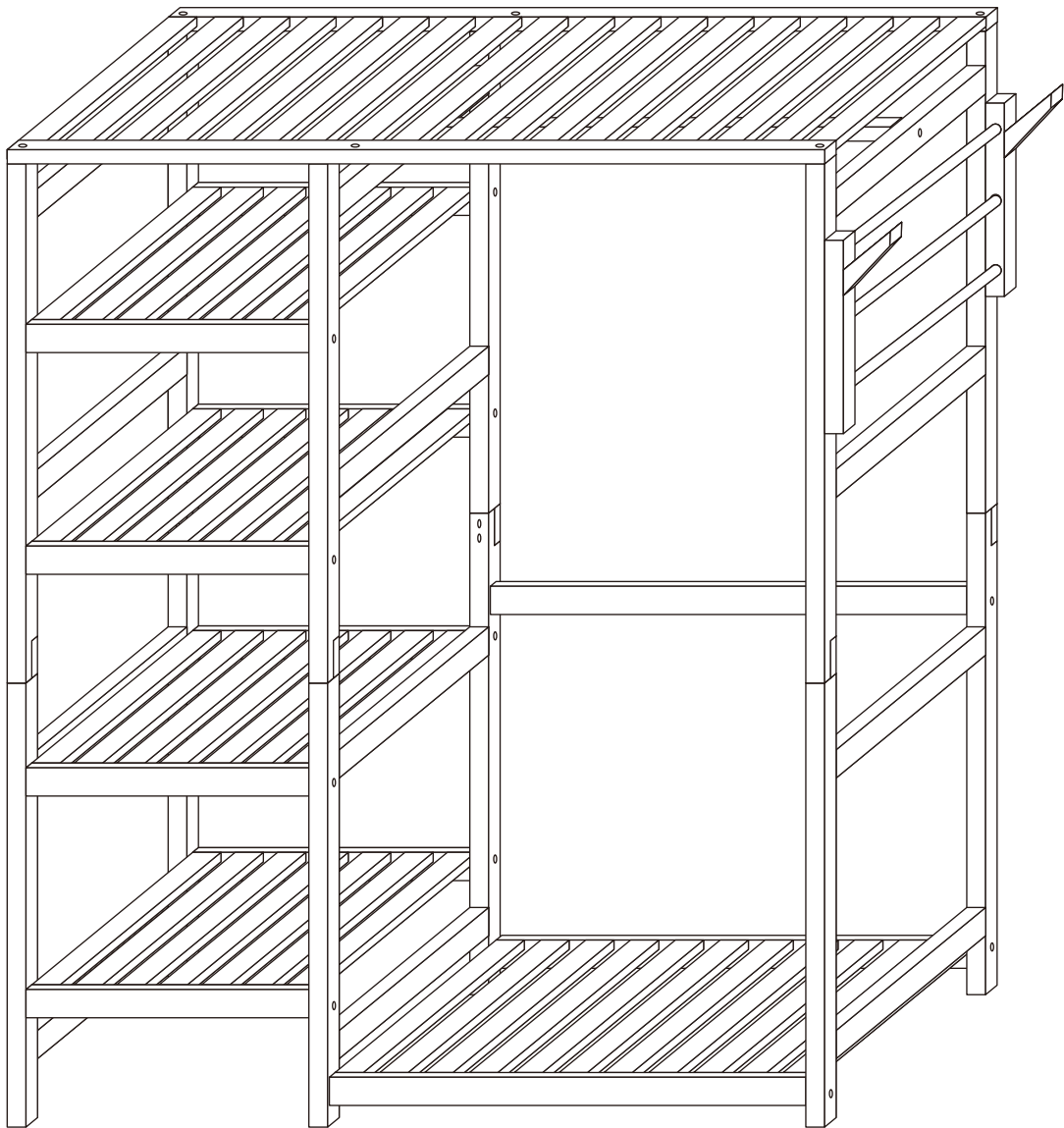




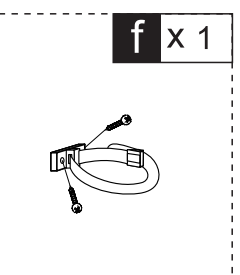
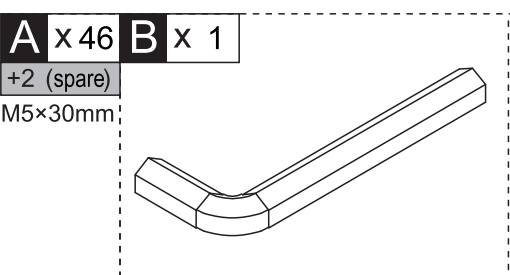
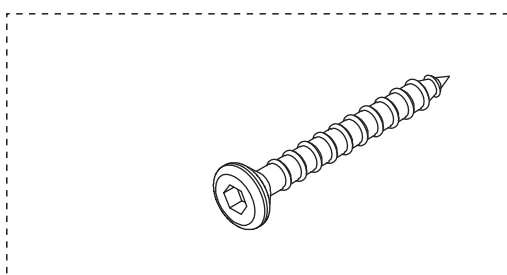
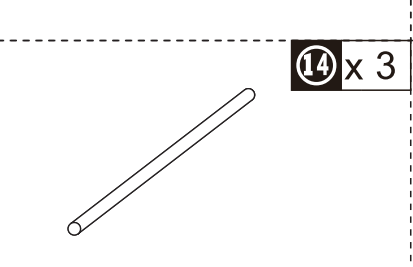
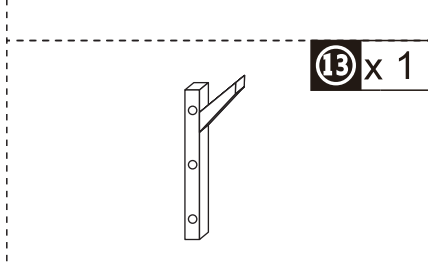
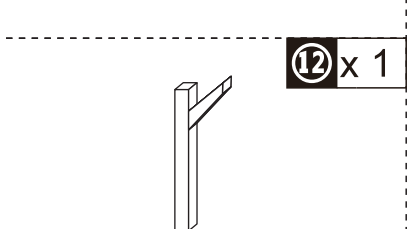
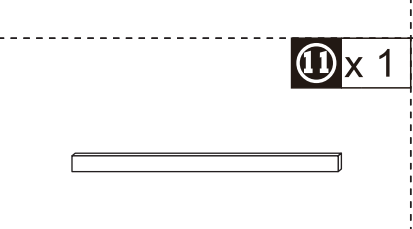
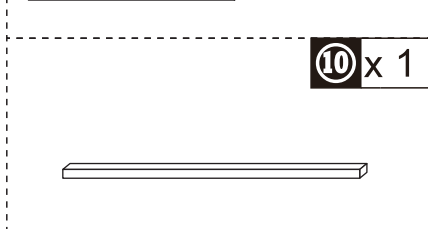
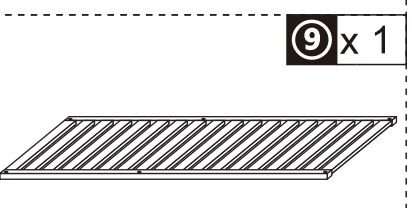
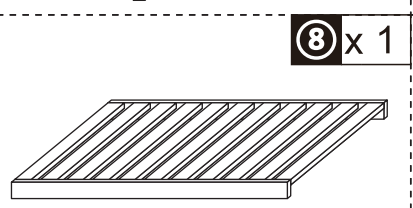
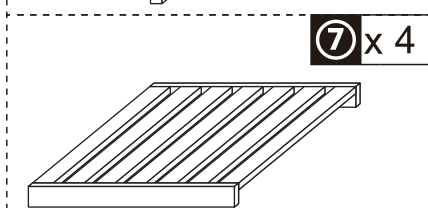
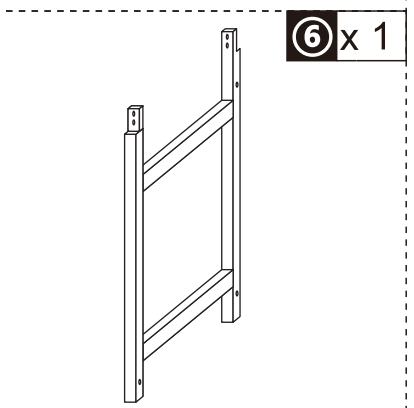
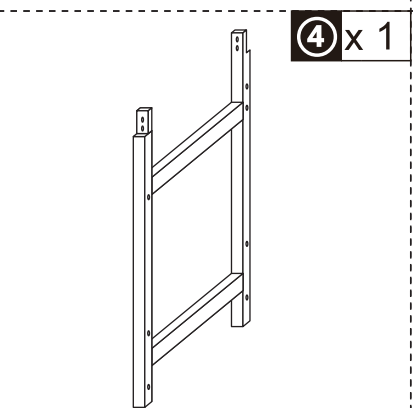
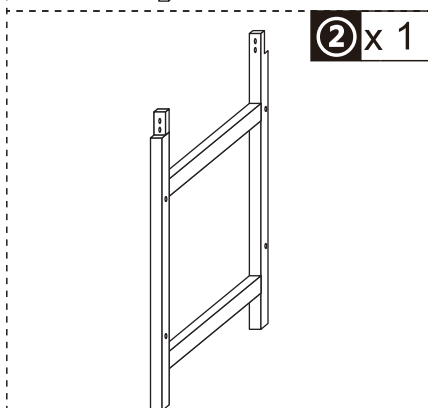
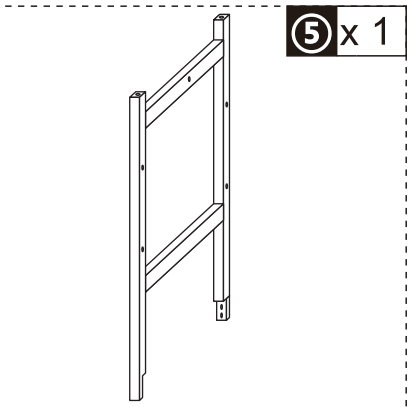
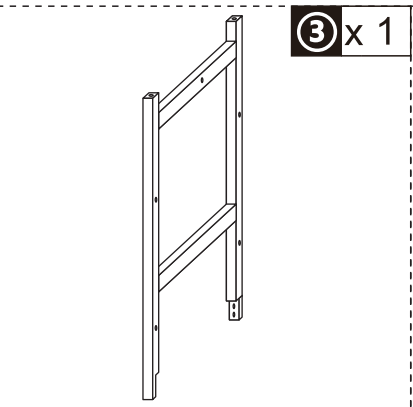
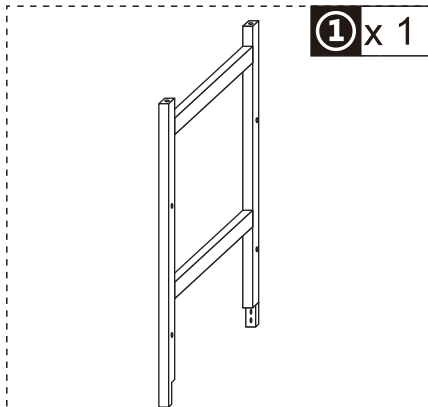
INcmd005V01_GL

850-158

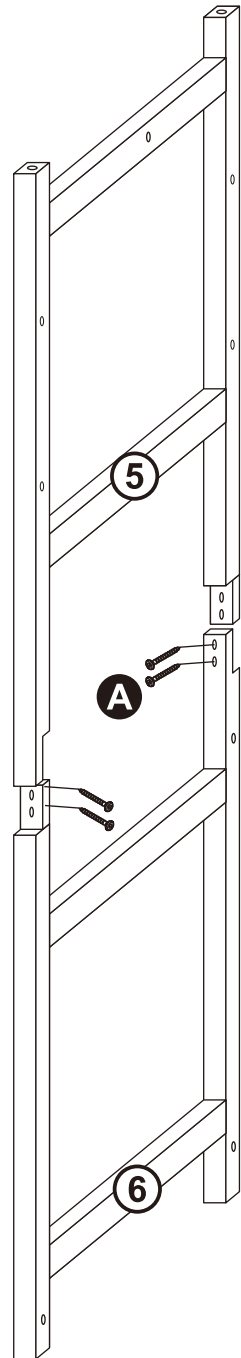
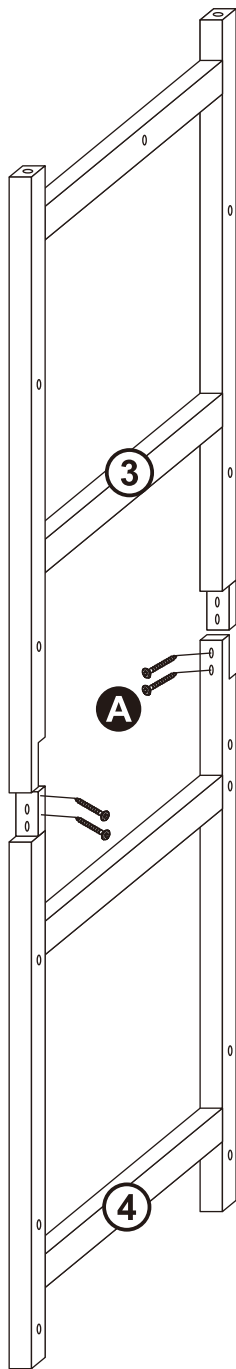
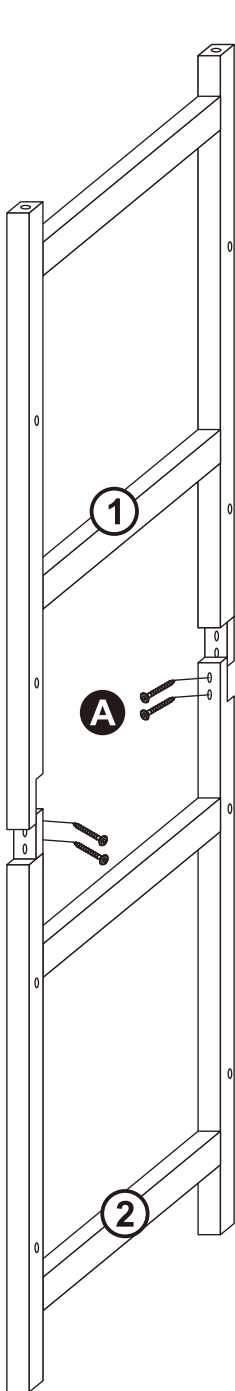
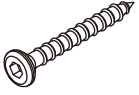


IMPORTANT, RETAIN FOR FUTURE REFERENCE: READ CAREFULLY

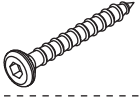
ASSEMBLY INSTRUCTION



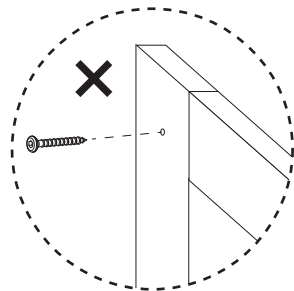
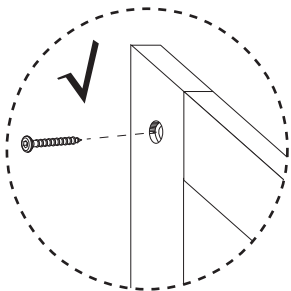
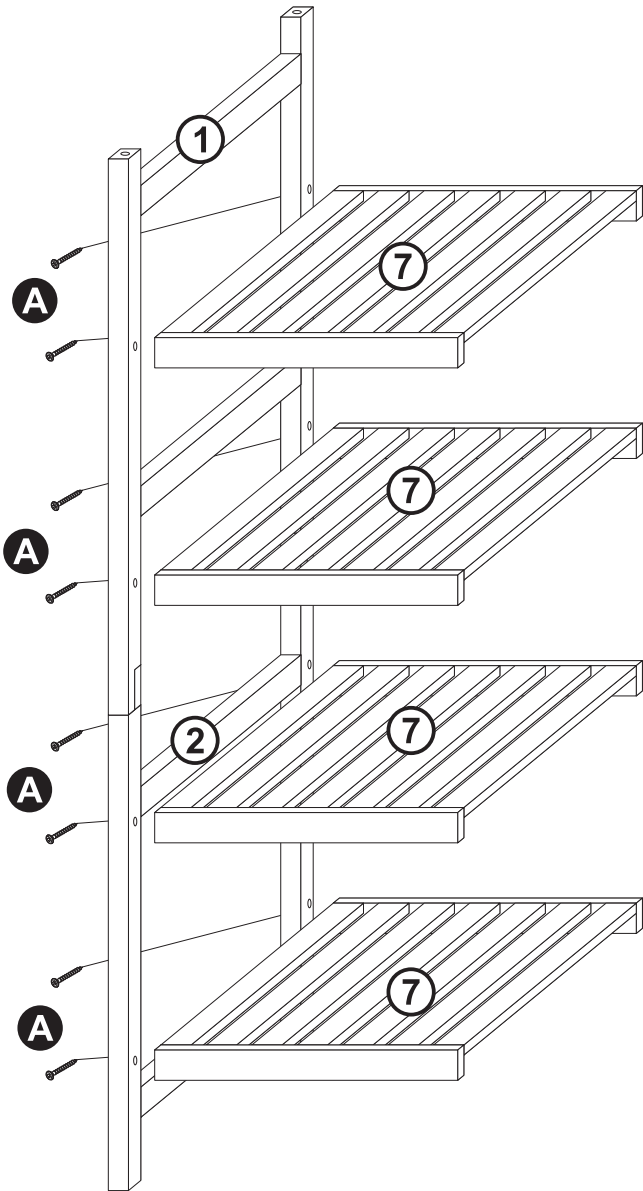
A x 12



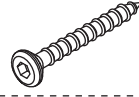
A x 8



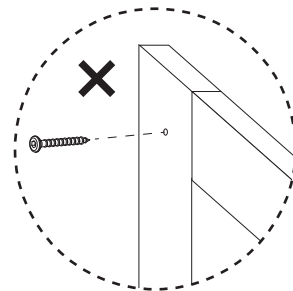
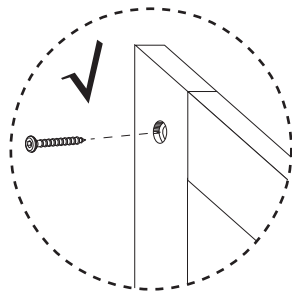
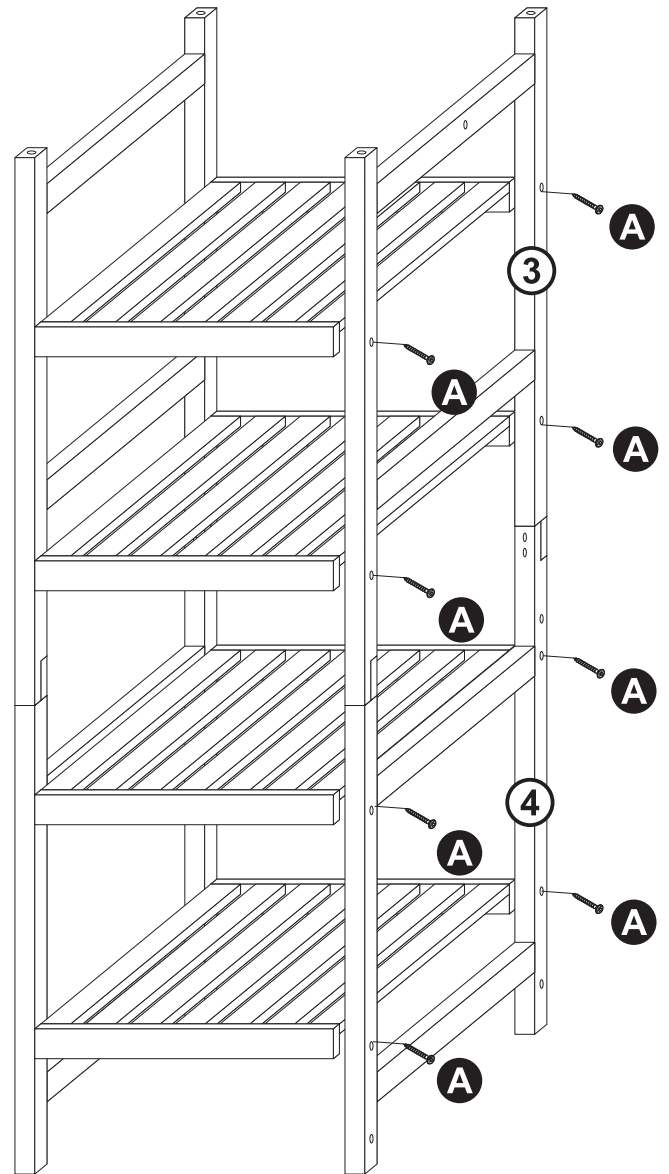
02



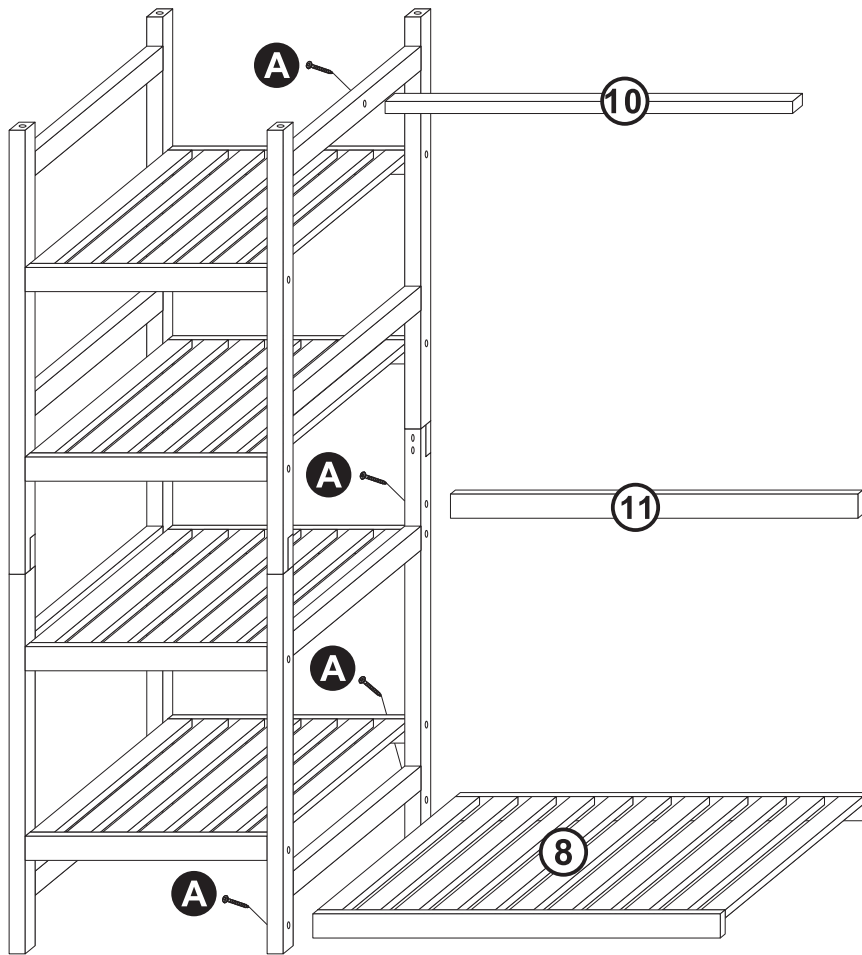
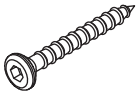
A x 8



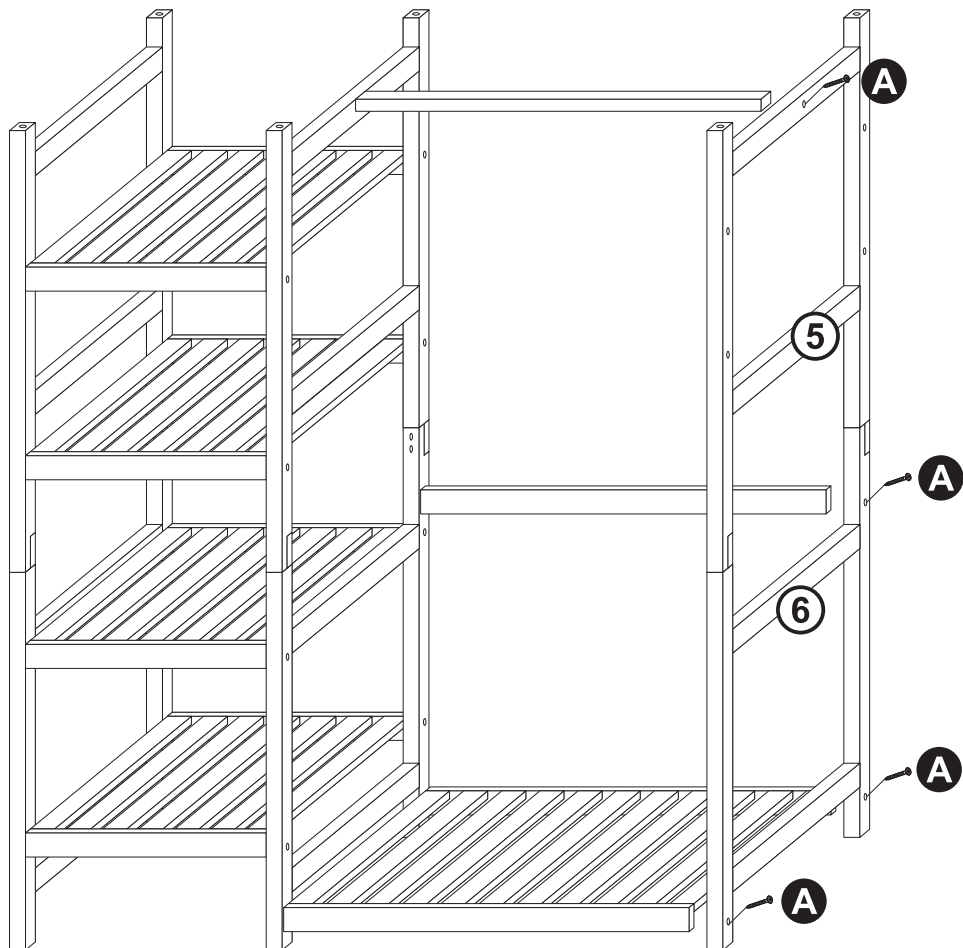
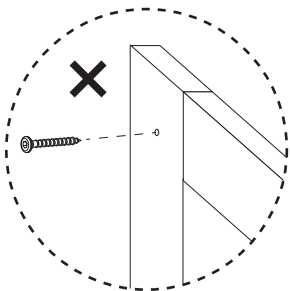
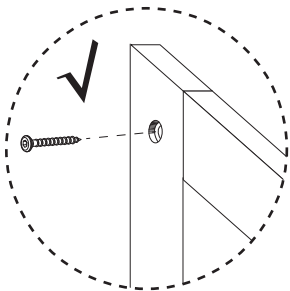
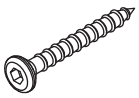
03



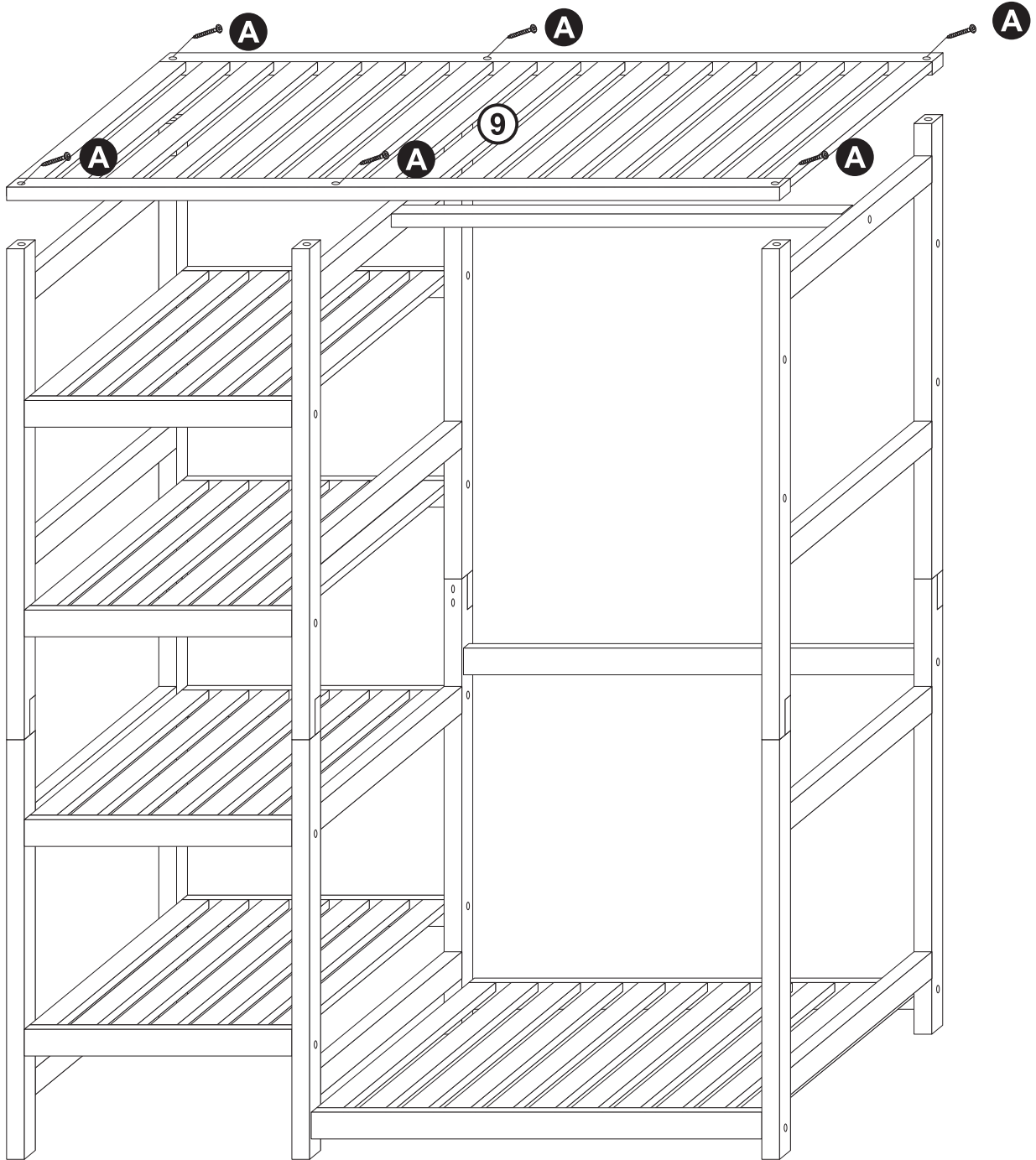
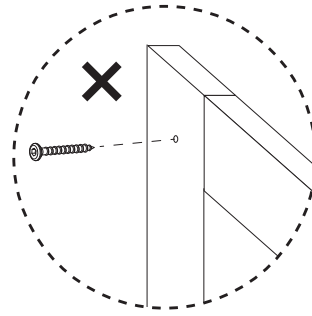
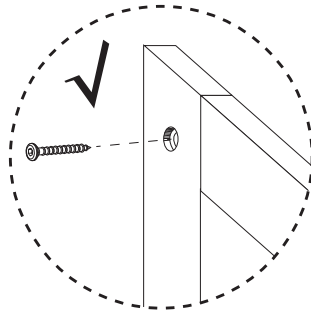
A x 4



A x 4



A x 6



A x 4

