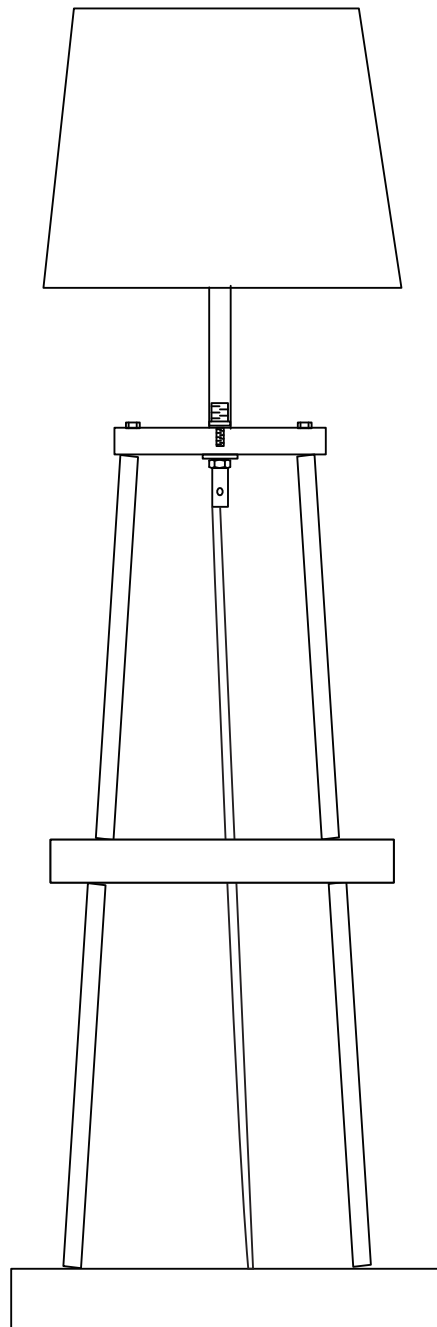




INcnb015V02_GL

B31-135V70_B31-135V90_B31-135V91



IMPORTANT, RETAIN FOR FUTURE REFERENCE: READ CAREFULLY

ASSEMBLY INSTRUCTION

