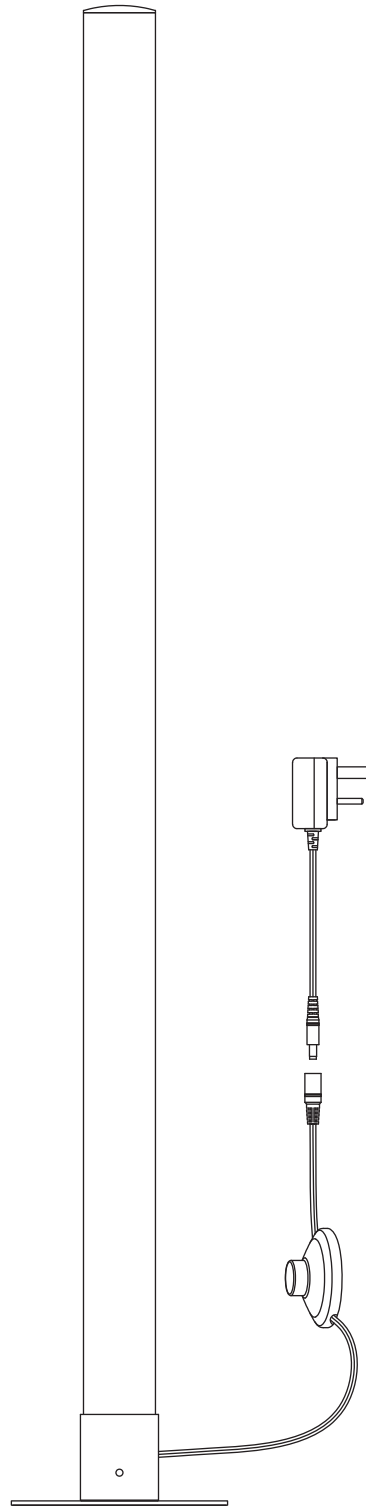




INcnb145\_UK

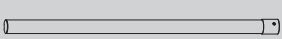


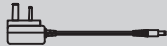
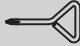
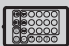
**B31-364V70**

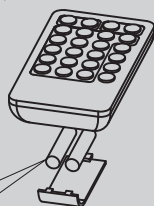
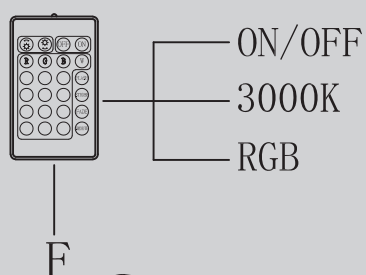


MH STAR UK LTD  
Unit 27, Perivale Park,  
Horsenden lane South  
Perivale, UB6 7RH  
MADE IN CHINA

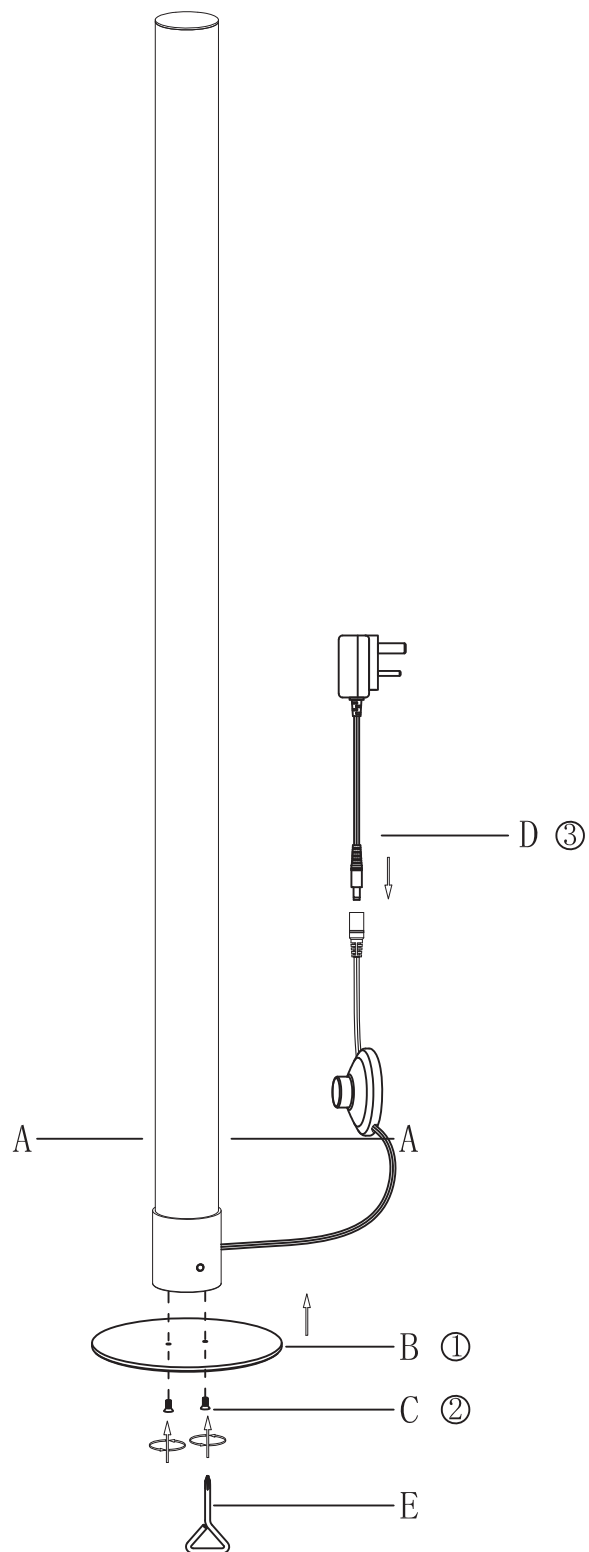
IMPORTANT, RETAIN FOR FUTURE REFERENCE: READ CAREFULLY

**ASSEMBLY & INSTRUCTION MANUAL**

A		1
B		1
C		2 +1(spare)
D		1
E		1
F		1



2 x AAA 1.5V 7#  
Battery (excluded)



Input voltage	220-240	V
Input AC frequency	50	Hz
Output voltage	10	V
Output current	1	A
Output power	10	W
Average active efficiency	80.43	%
Efficiency at low load (10 %)	71.1	%
No-load power consumption	0.179	W