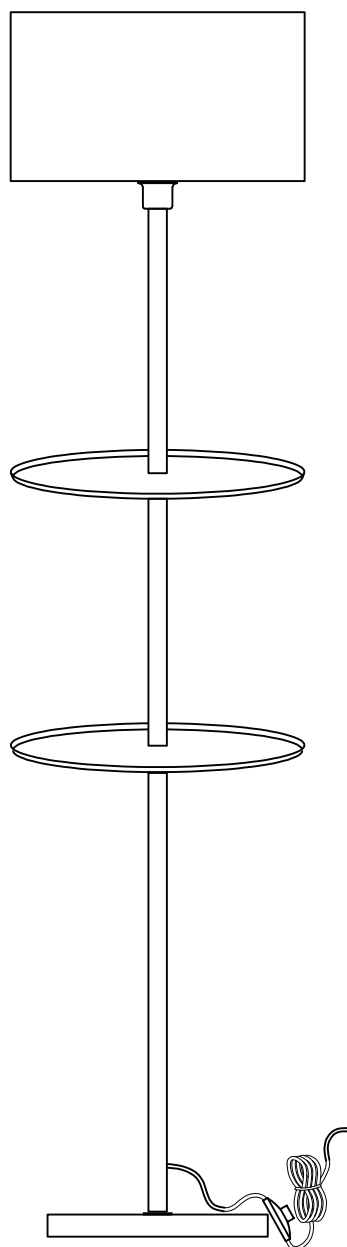




INcnc008\_UK\_FR\_ES\_DE\_IT

**B31-307**



IMPORTANT, RETAIN FOR FUTURE REFERENCE: READ CAREFULLY

# ASSEMBLY INSTRUCTION

