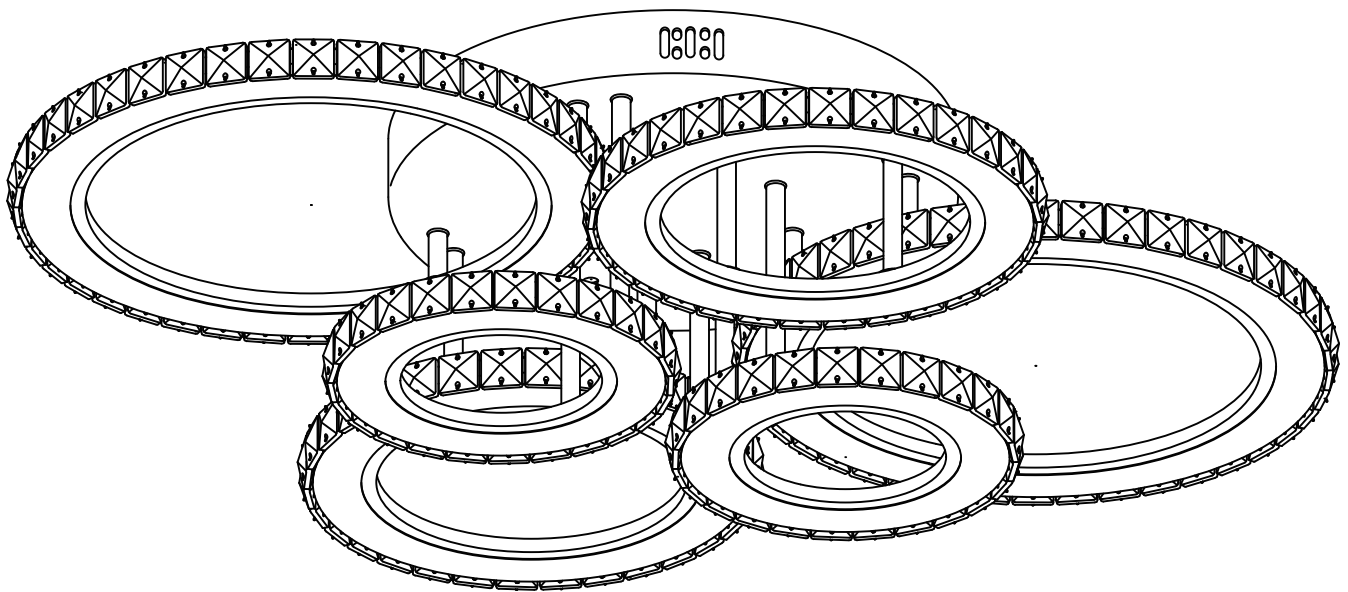




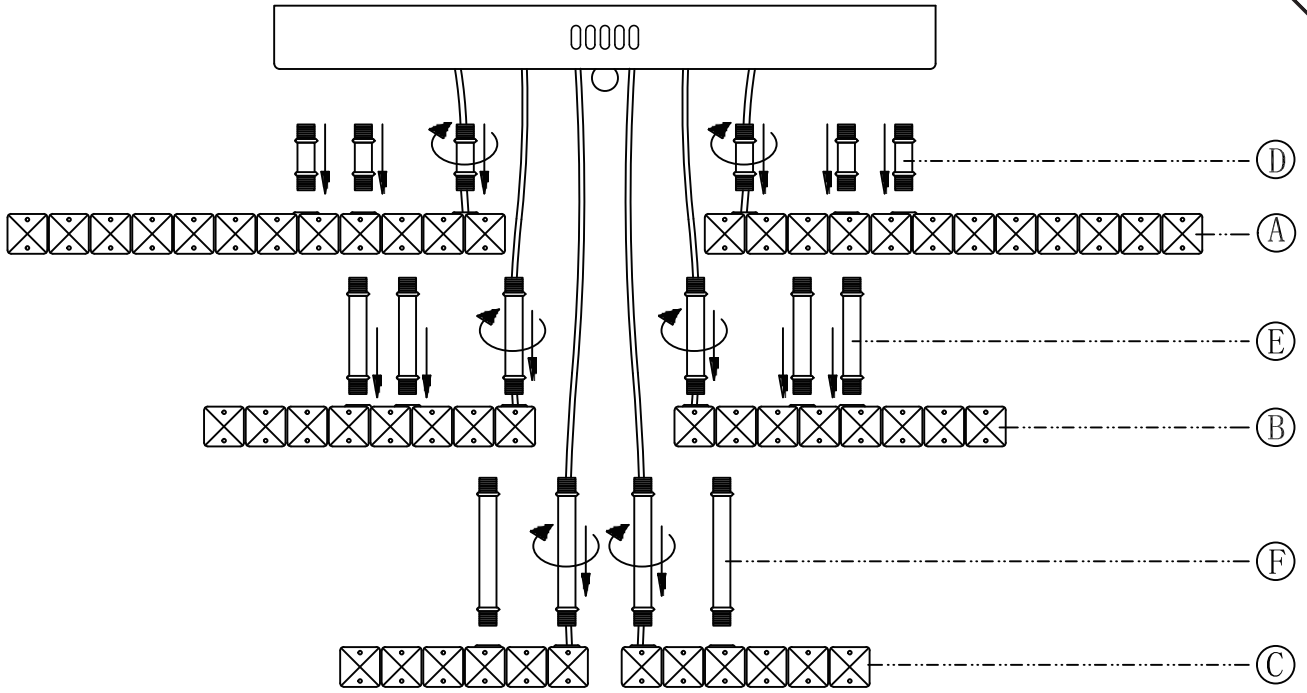
INcnd033_US_CA

B31-345

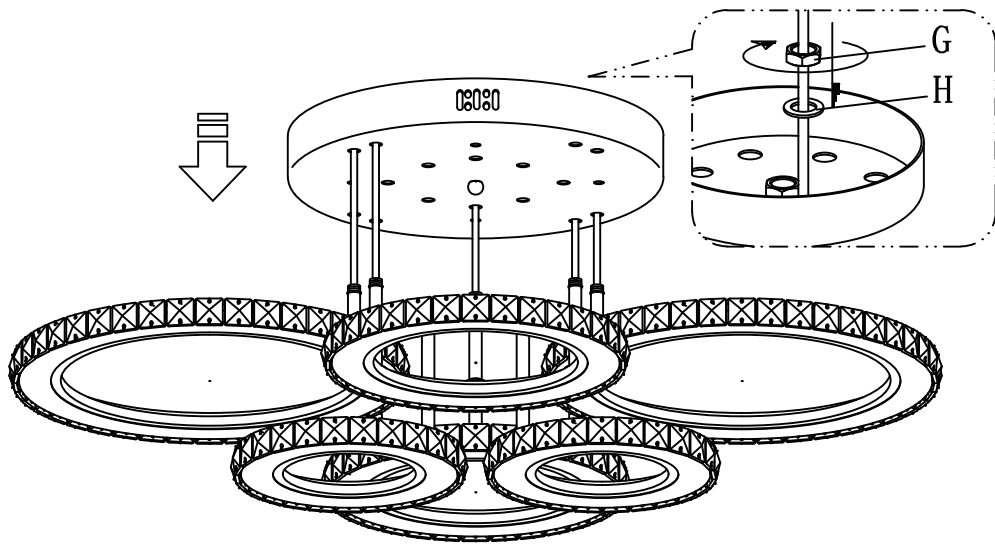


IMPORTANT, RETAIN FOR FUTURE REFERENCE: READ CAREFULLY

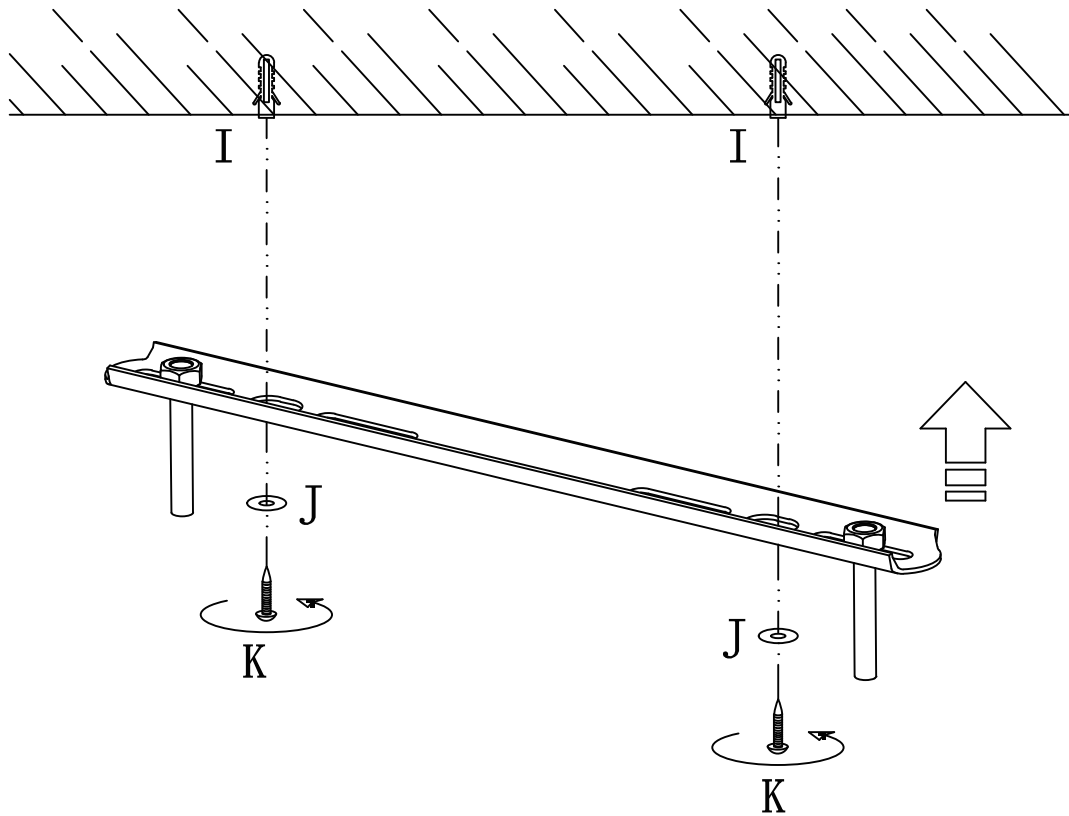
ASSEMBLY INSTRUCTION

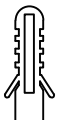

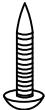


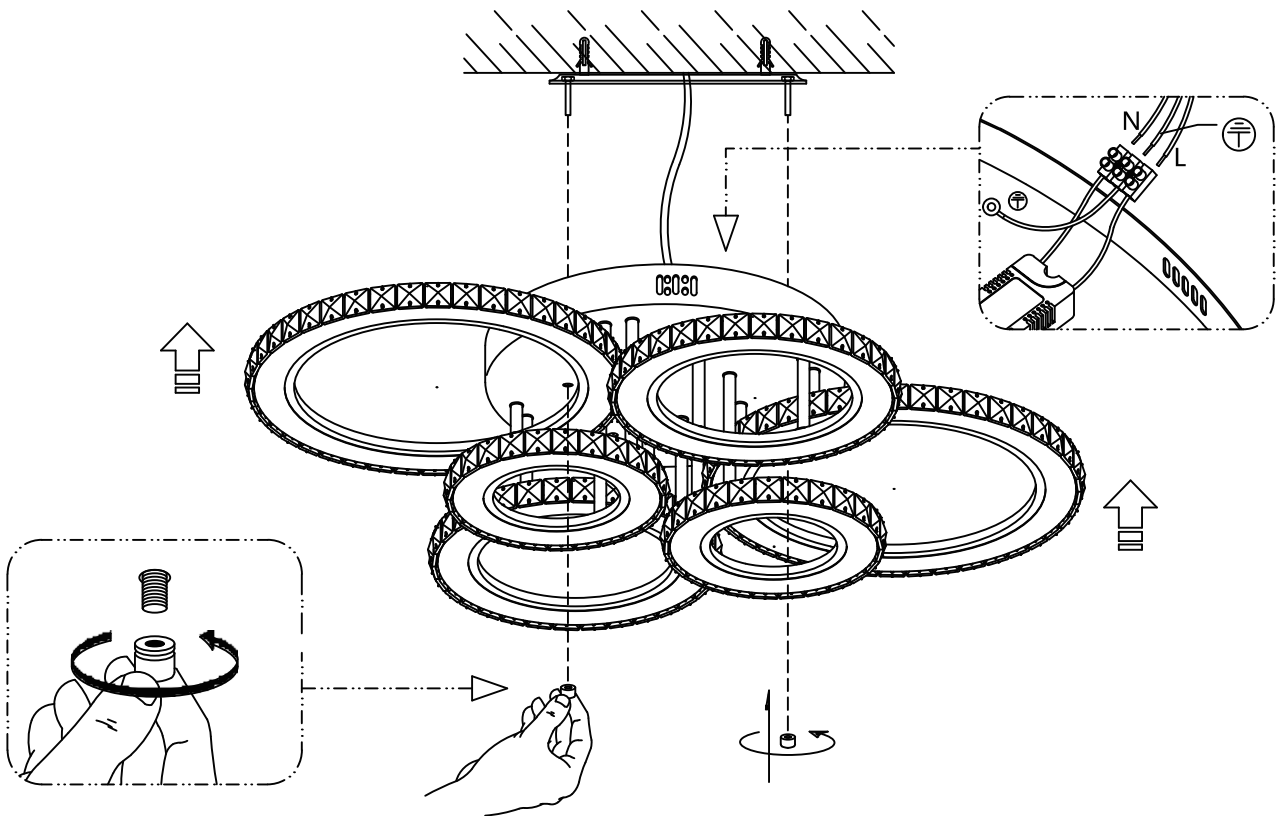
- | | | | | | |
|---|--------------|------|---|--|------|
| A | Ø33CM circle | 2pcs | D | | 6pcs |
| B | Ø25CM circle | 2pcs | E | | 6pcs |
| C | Ø20CM circle | 2pcs | F | | 4pcs |



G  10pcs H  10pcs



I  2pcs J  2pcs K  2pcs



Input voltage	100-265	V
Input AC frequency	50/60	Hz
Output voltage	240-320	V
Output current	0.2	A
Output power	80-106	W
Average active efficiency	86	%
Efficiency at low load (10 %)	/	%
No-load power consumption	0.5	W