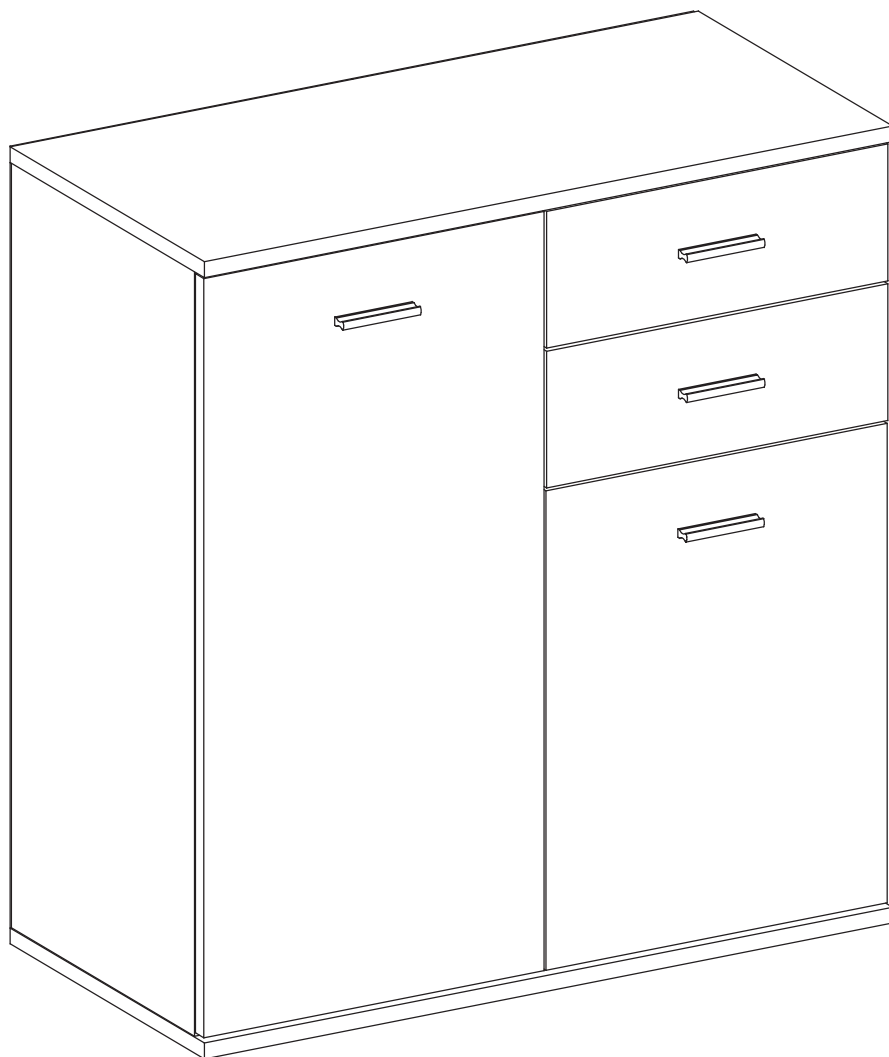
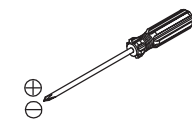
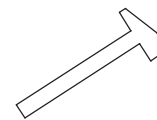




Assembly Instruction



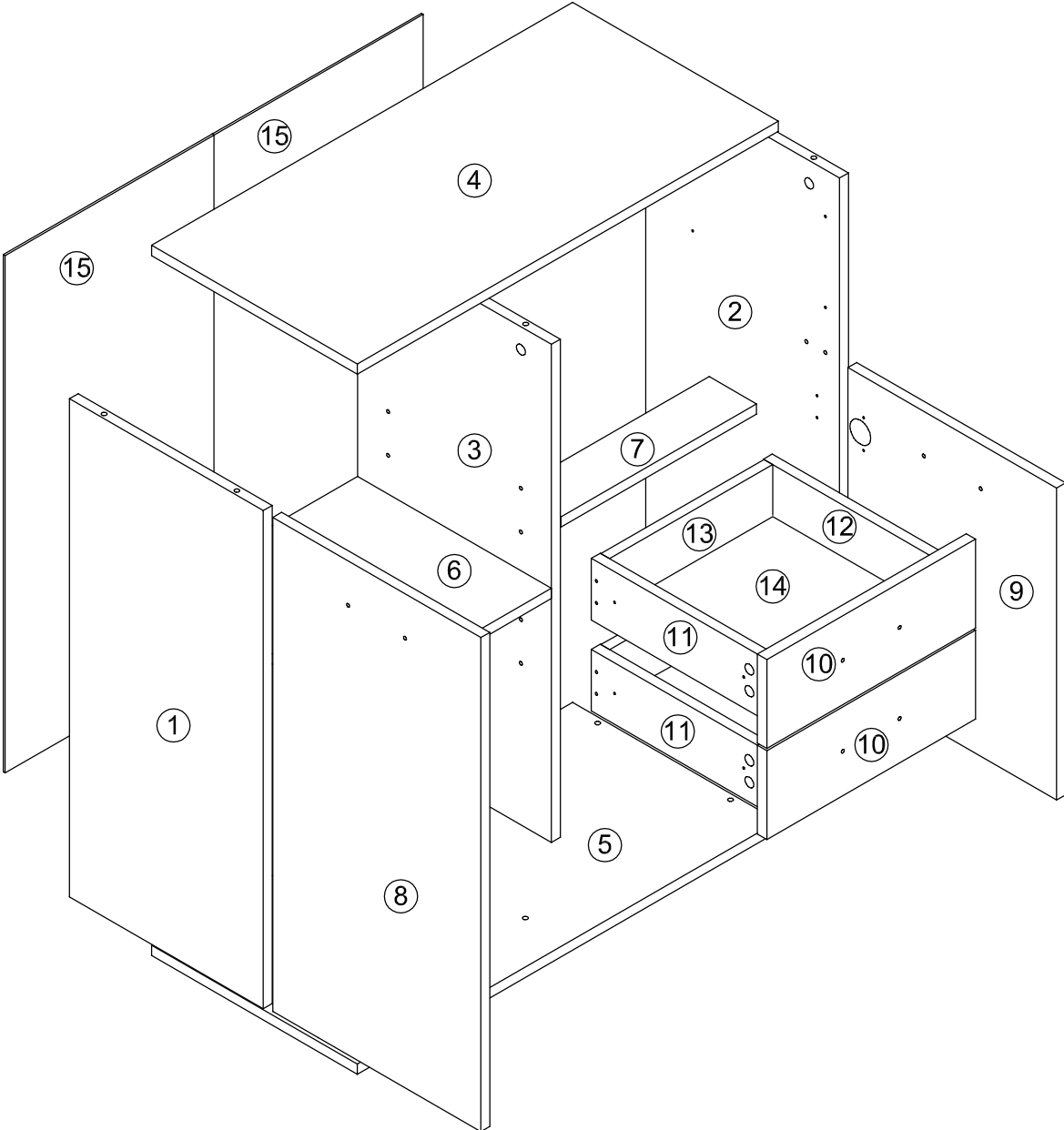
NO.	QTY.	LINEDRAWING	DESCRIPTION
(A)	18		
(B)	18		
(C)	40	Ø3.5*14	
(D)	8	Ø3.5*35	
(E)	4		
(F)	6	Ø7*50	
(G)	4		
(H)	8		
(I)	6		
(J)	26		
(K)			
(L)	4		
(M)	4		



Hammer and Screwdriver
are not included !!

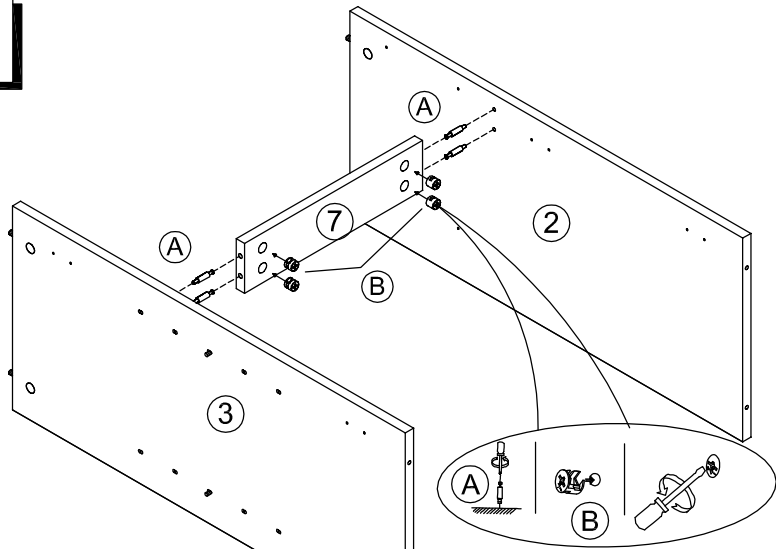


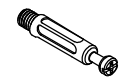
PARTS LIST




NO.	QTY.	LINEDRAWING	DESCRIPTION
①	1		
②	1		
③	1		
④	1		
⑤	1		
⑥	1		
⑦	1		
⑧	1		
⑨	1		
⑩	2		
⑪	2		
⑫	2		
⑬	2		
⑭	2		
⑮	2		

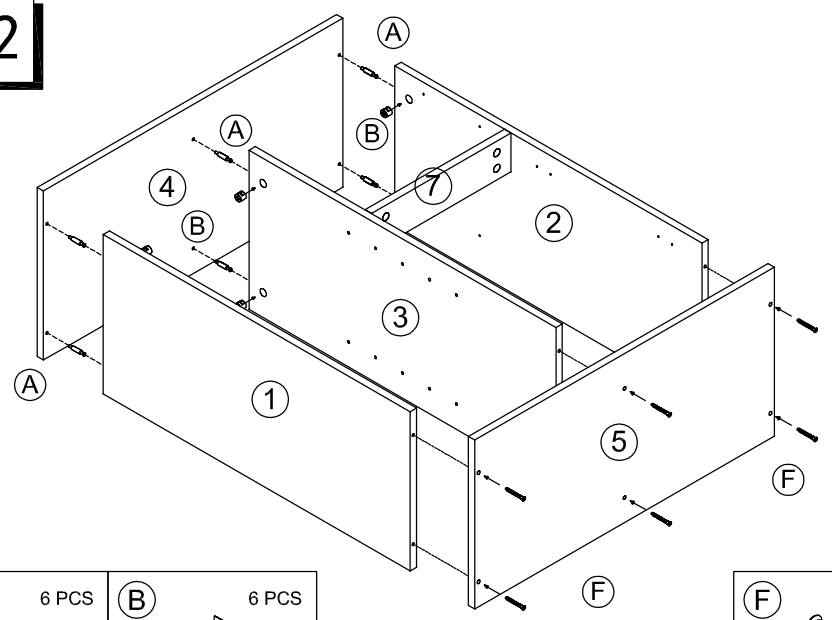
1

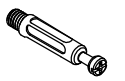



(A) 4 PCS



(B) 4 PCS


2

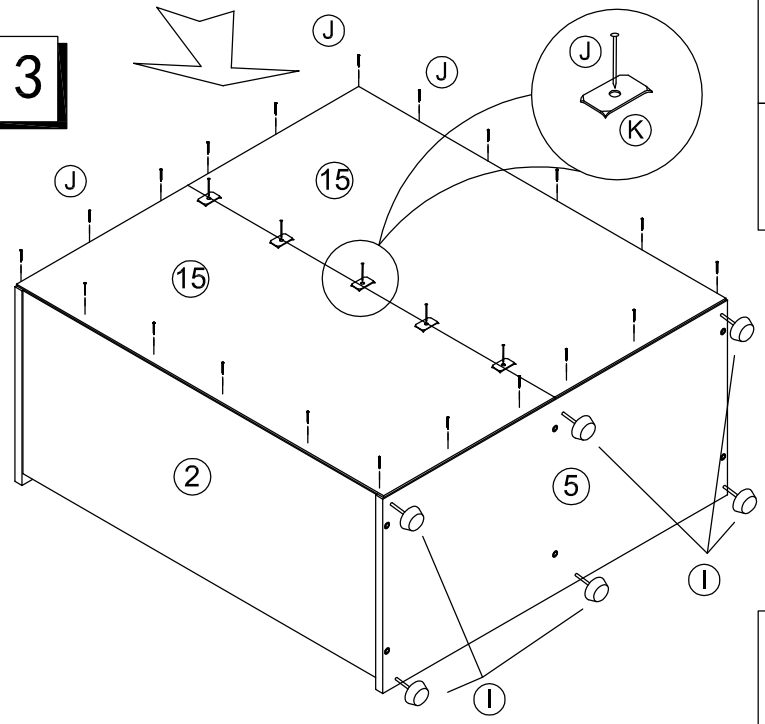



(A) 6 PCS



(B) 6 PCS


(F) 6 PCS


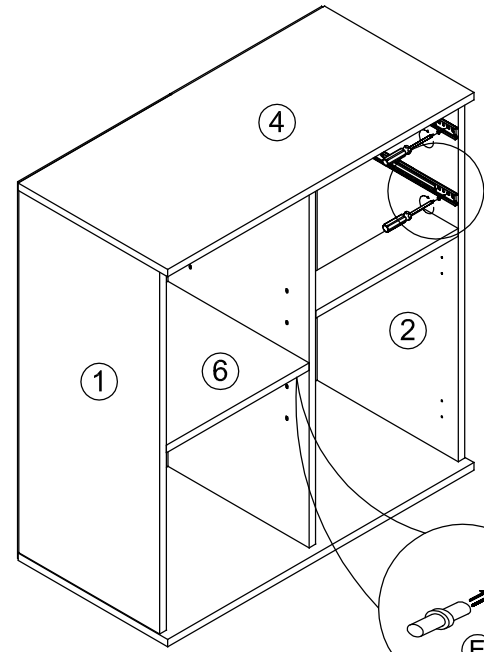
3





(J) 26 PCS



(K) 5 PCS


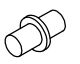
4

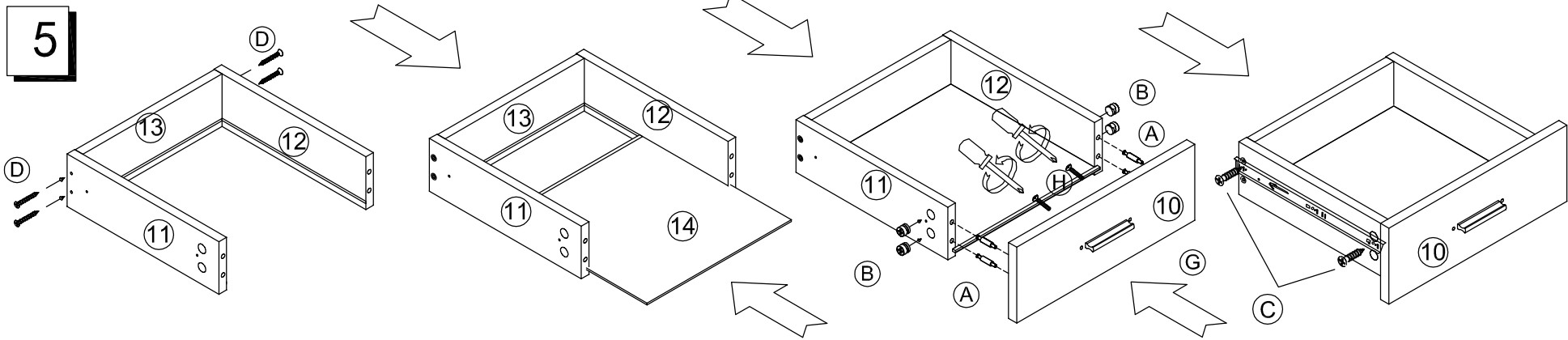


(L1) 4 PCS


(C) 8 PCS

 Ø3.5*14

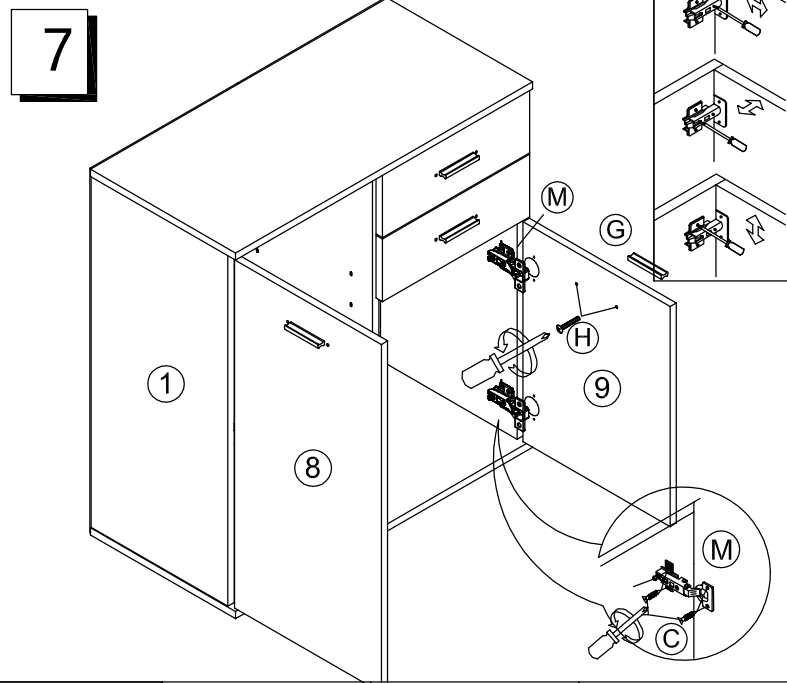
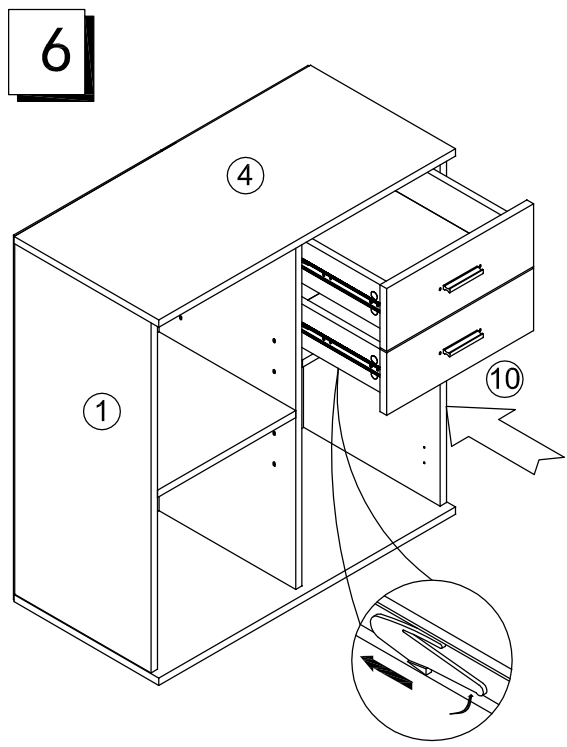
(I) 6 PCS


(E) 4 PCS




x2

(A) 8 PCS	(B) 8 PCS	(G) 2 PCS	(H) 4 PCS	(D) 8 PCS	(L2) 4 PCS	(C) 8 PCS
				Ø3.5*35		Ø3.5*14



(G) 2 PCS	(H) 4 PCS	(M) 4 PCS	(C) 24 PCS
			Ø3.5*14

