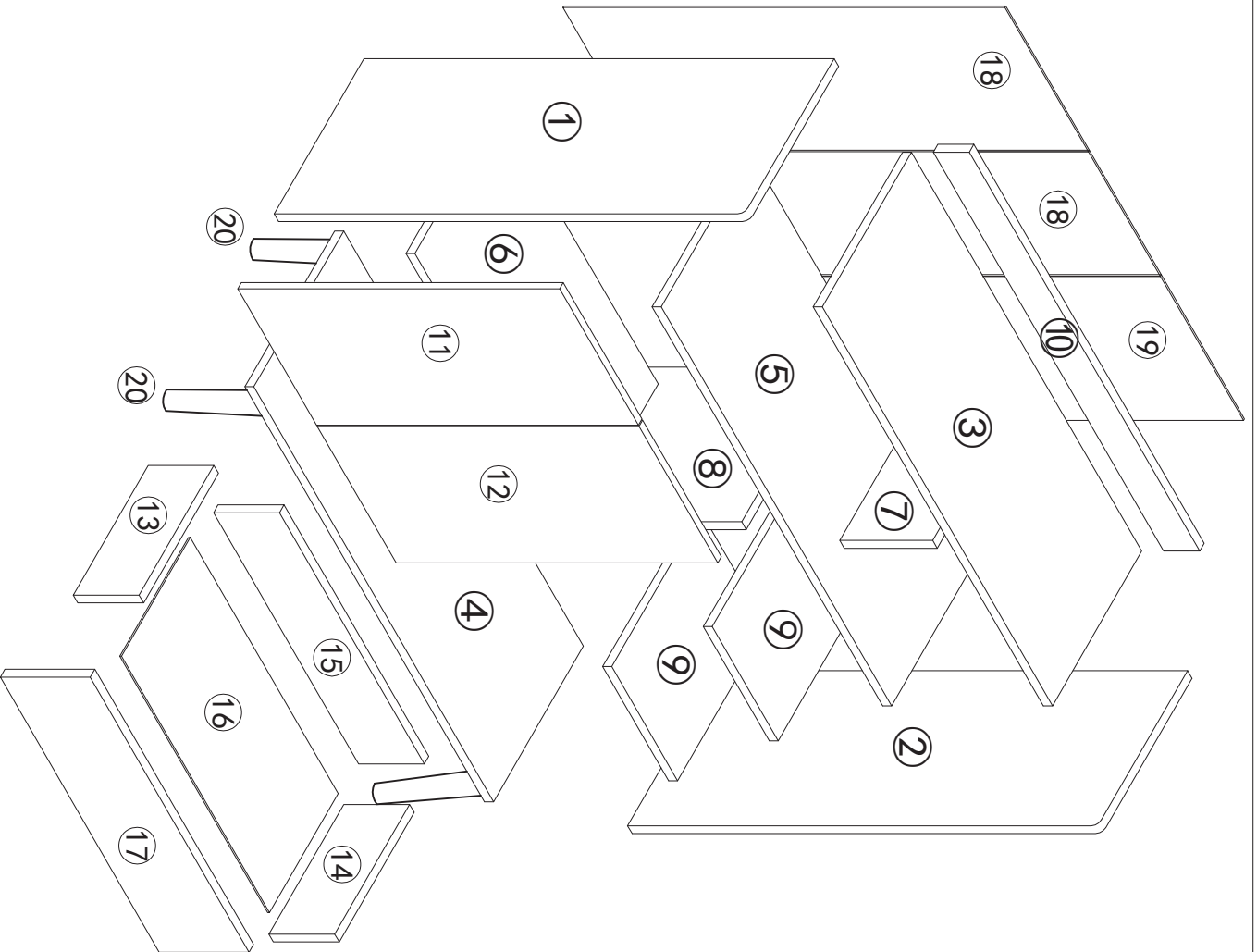
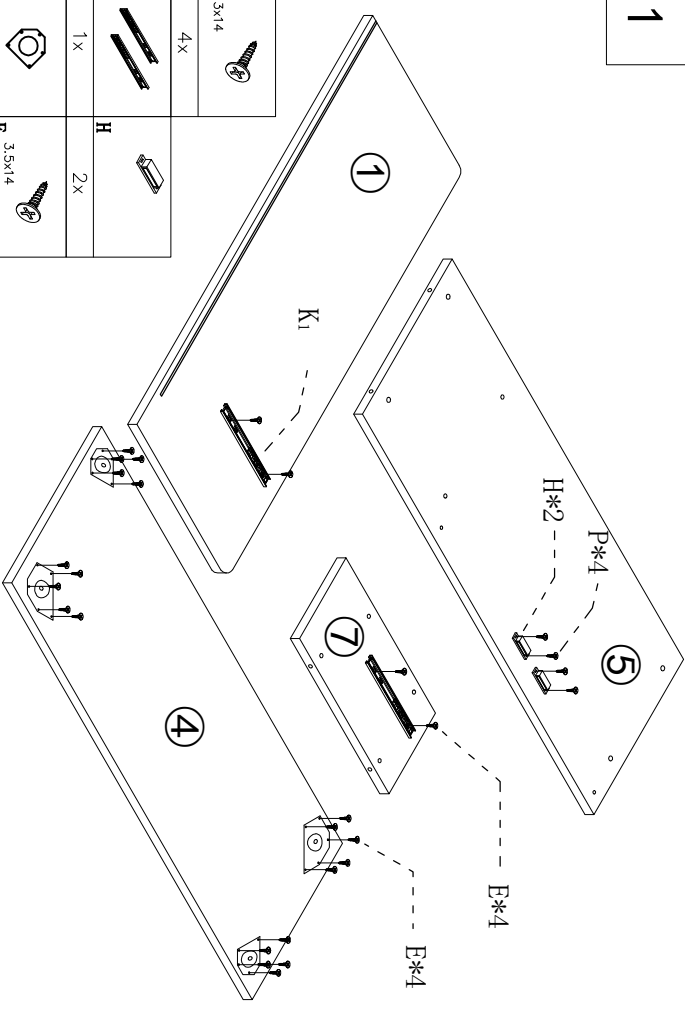


837-018

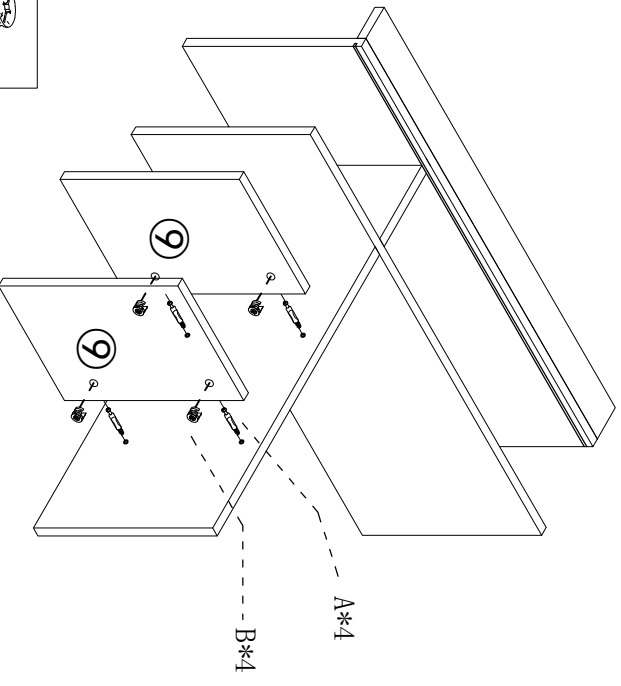


A	30x	B	30x
C	7x50 6x	D	3.5x30 6x
E	3.5x14 30x	F	3x
G	4x	H	2x
I	3x10 4x	J	18mm 6x
K	K1 K2 K3 1x	L	16x
M	4x	N	2x
O	2x	P	3x14 20x
Q	4x		

1

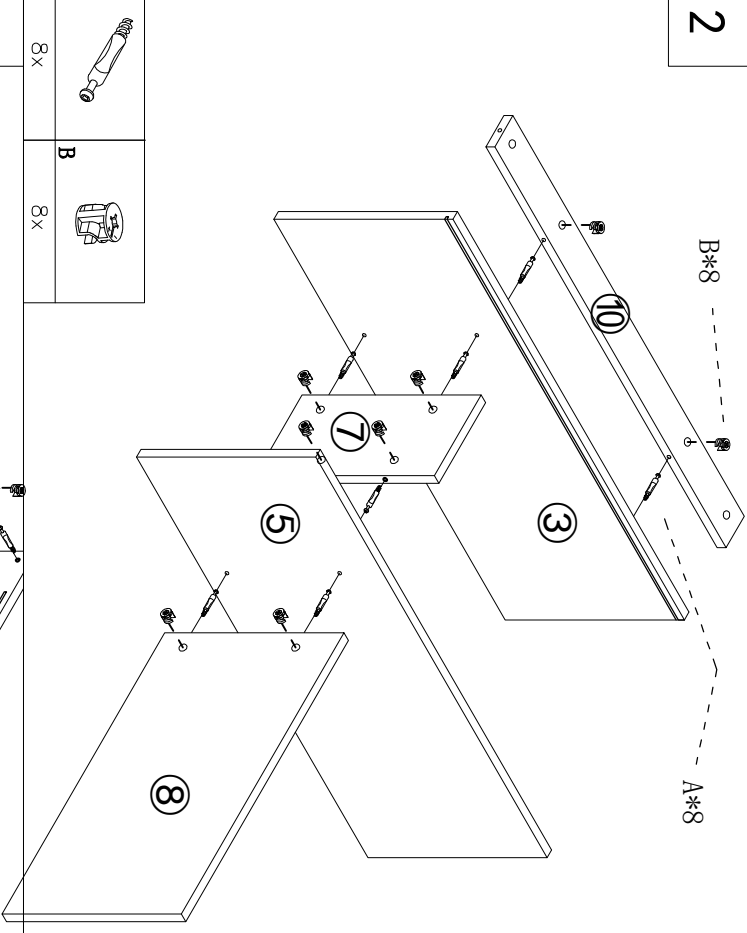


3

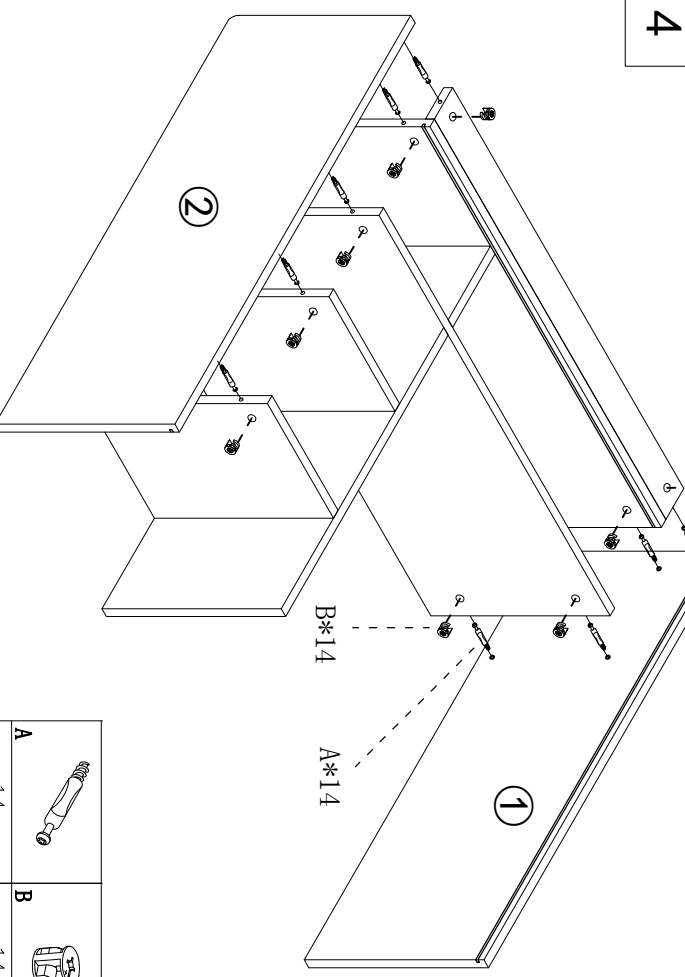


A		4x
B		4x

2

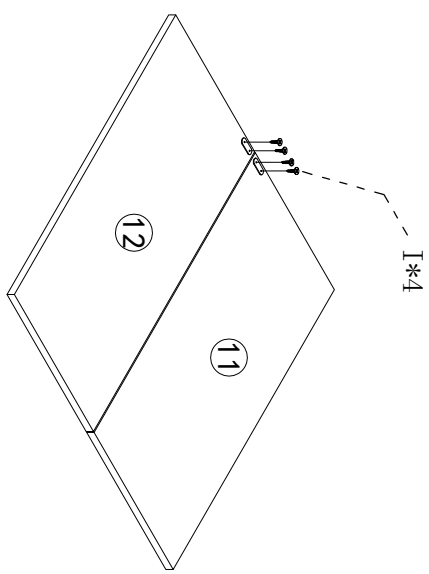




4



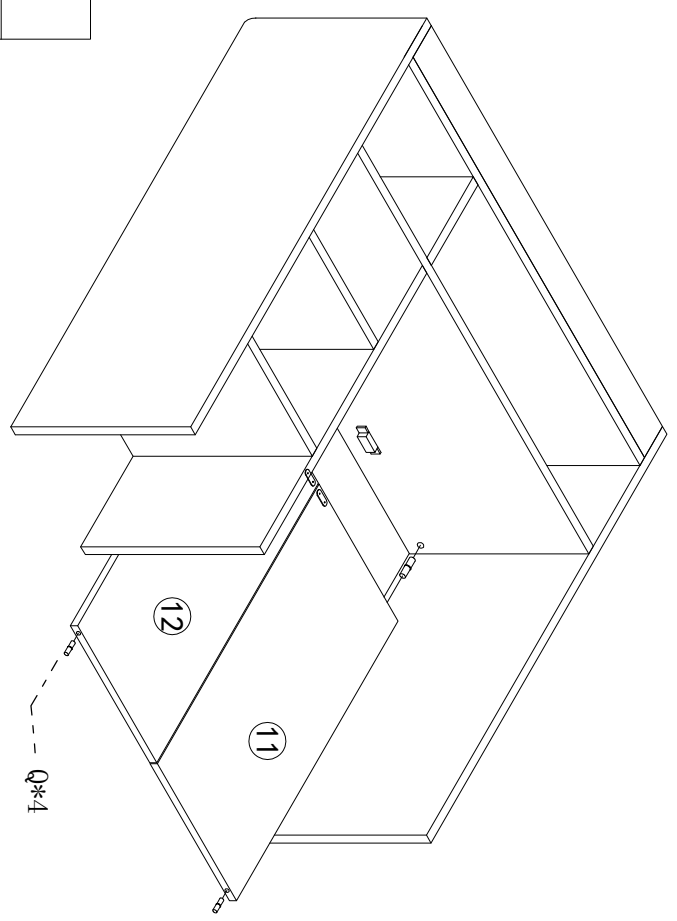
A		14x
B		14x


5



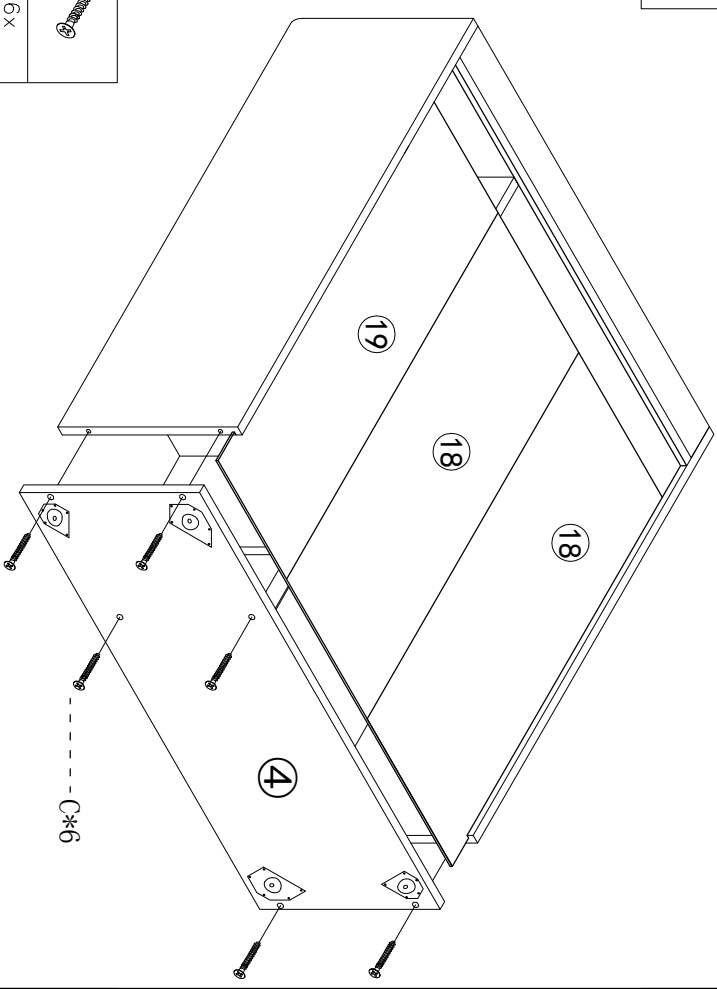
H		I 3*10	
	2x		4x


6



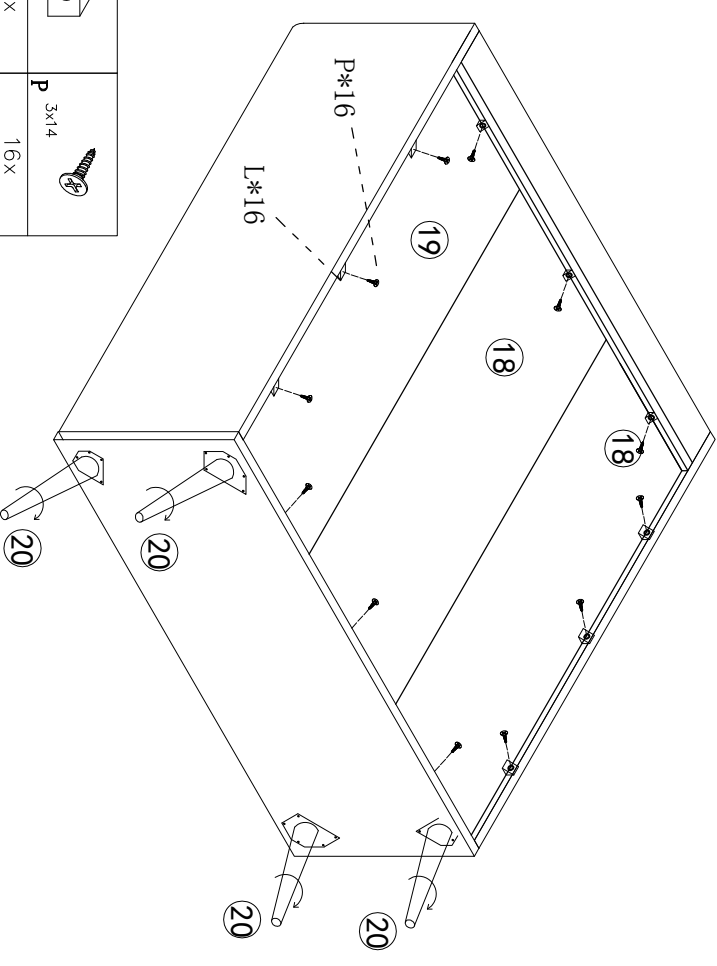
Q	
	4x


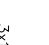

7



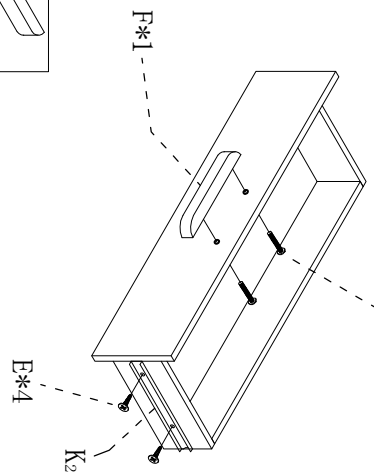
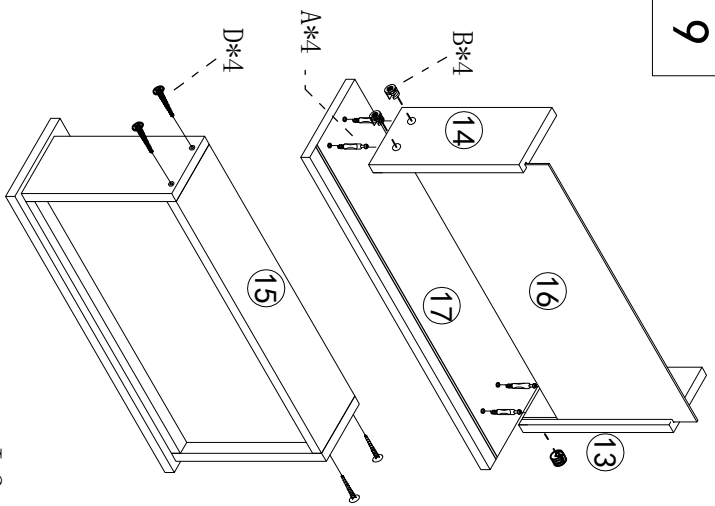
C		7x50
		6x

8



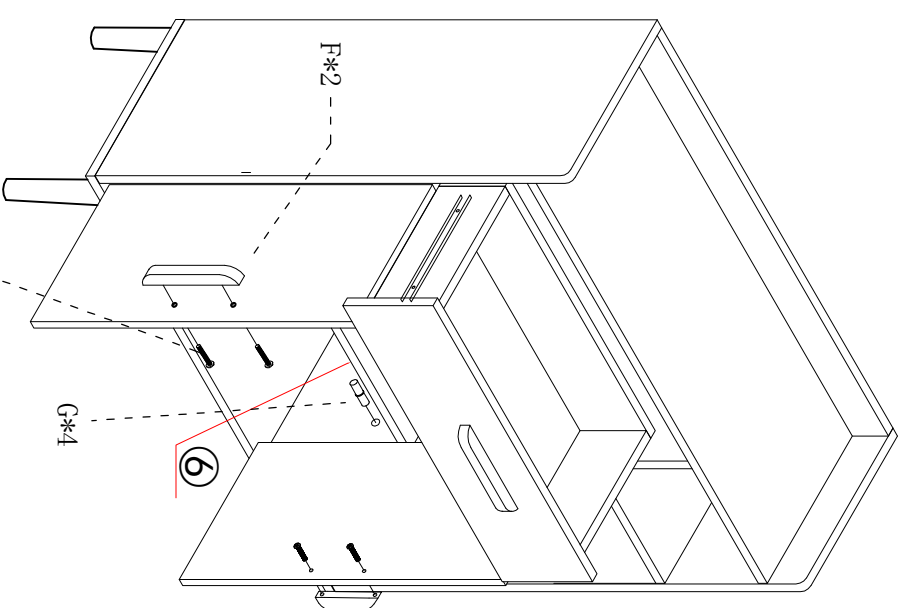
L		O	
	16x		16x
		P	
			3x14
			16x

9



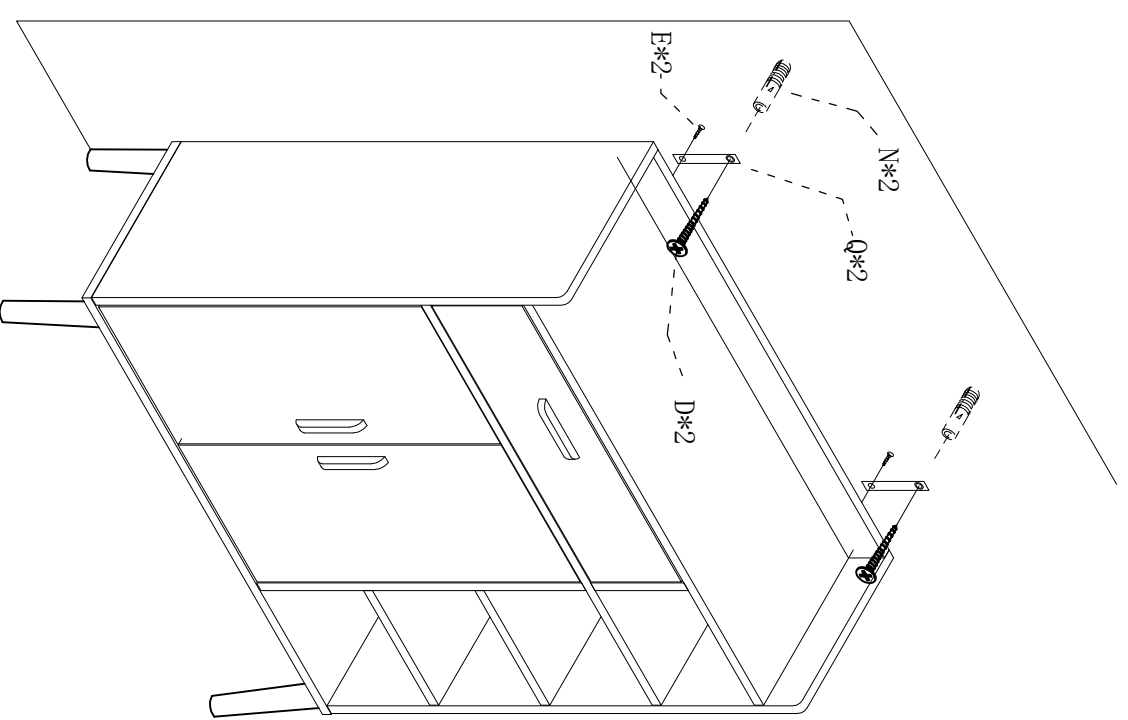
F 1x 	K2 2x 	B 4x
J 18mm 2x 	K 1x 	A 4x
D 3.5x30 4x 	E 3.5x14 4x 	

10



F 2x 	J 18mm 4x
G 4x 	

11



N 2x 	O 2x 	D 3.5x30 2x 	E 3.5x14 2x
--------------------	--------------------	---------------------------	---------------------------