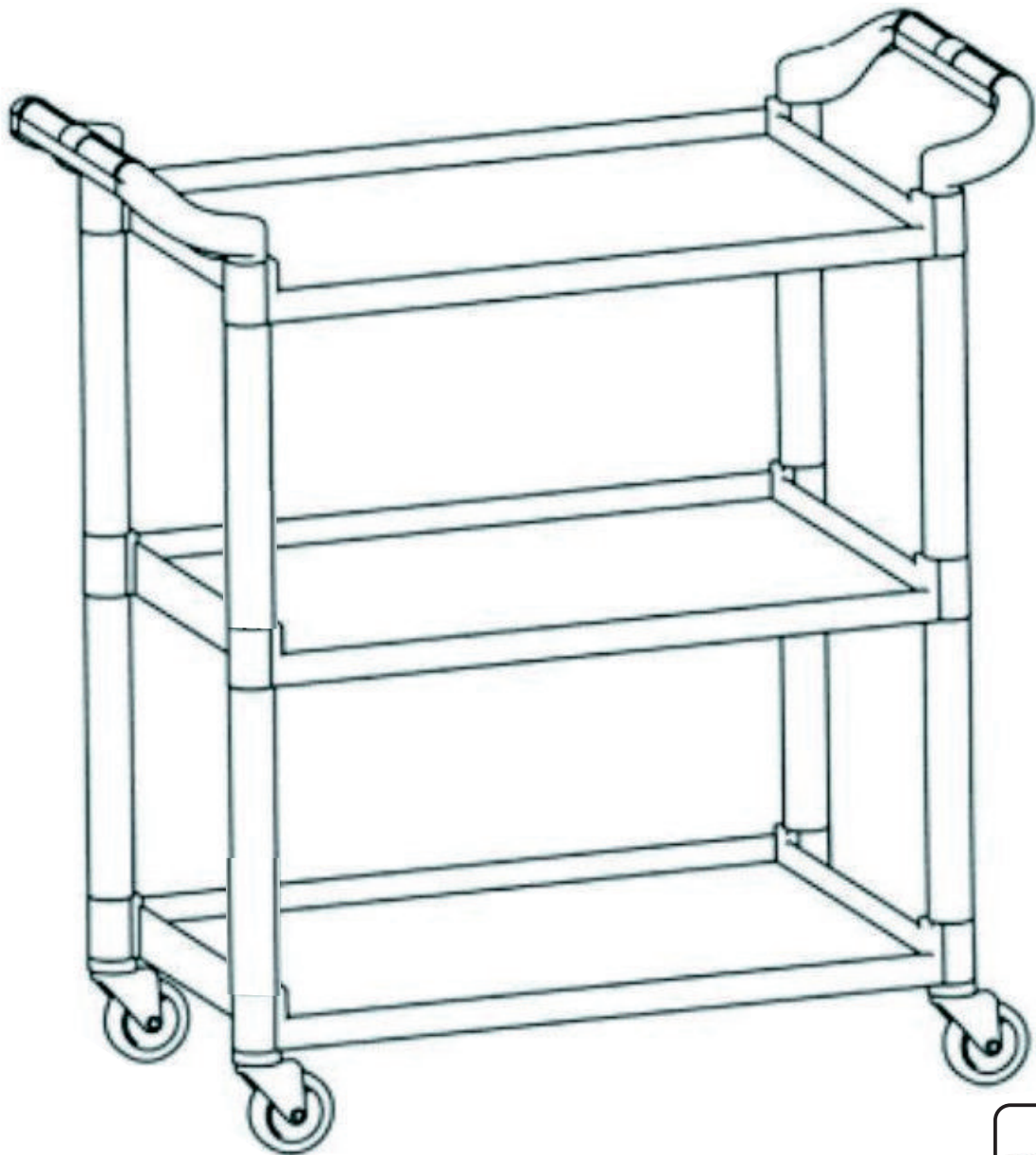




INcp128V01_GL

850-123

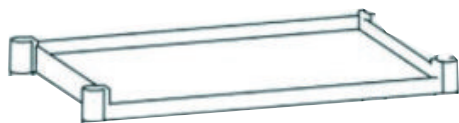


IMPORTANT, RETAIN FOR FUTURE REFERENCE: READ CAREFULLY

Tools Recommended

ASSEMBLY & INSTRUCTION MANUAL

A x 3



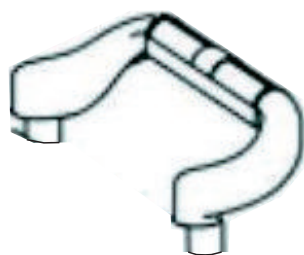
B x 8



C x 4



D x 2



F x 1



A x 1



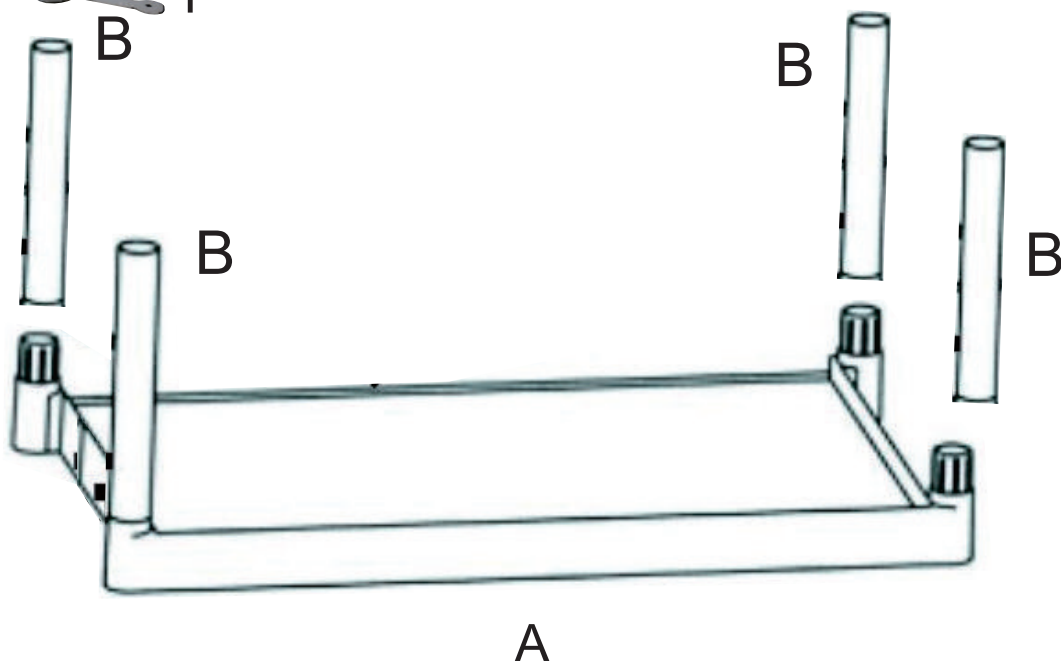
B x 4



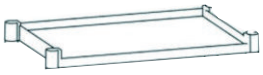
F x 1



NOT INCLUDE



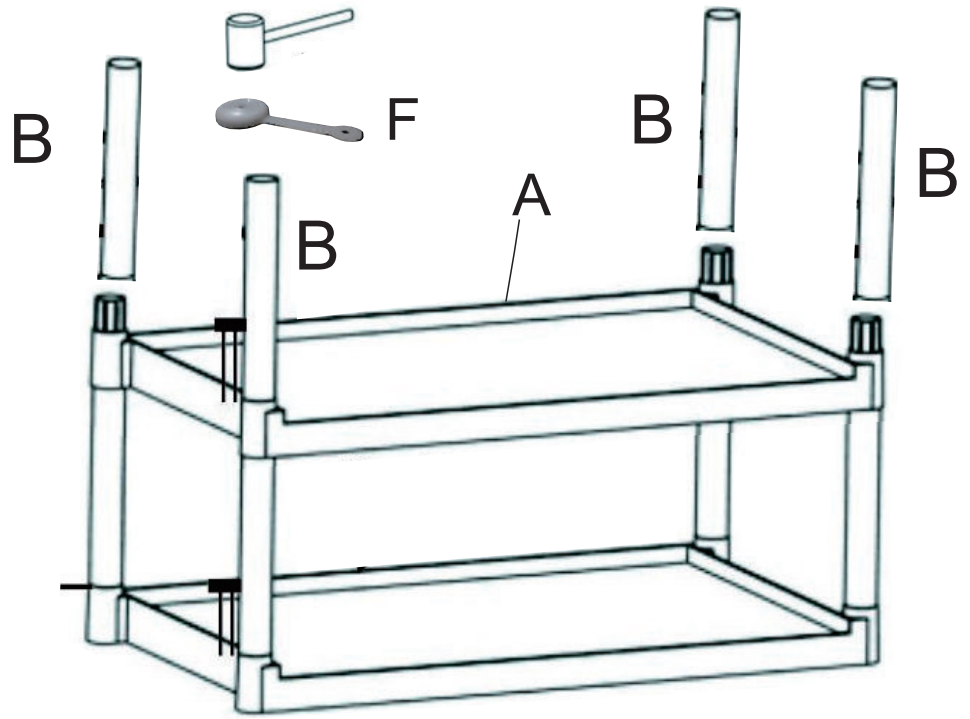
A x1



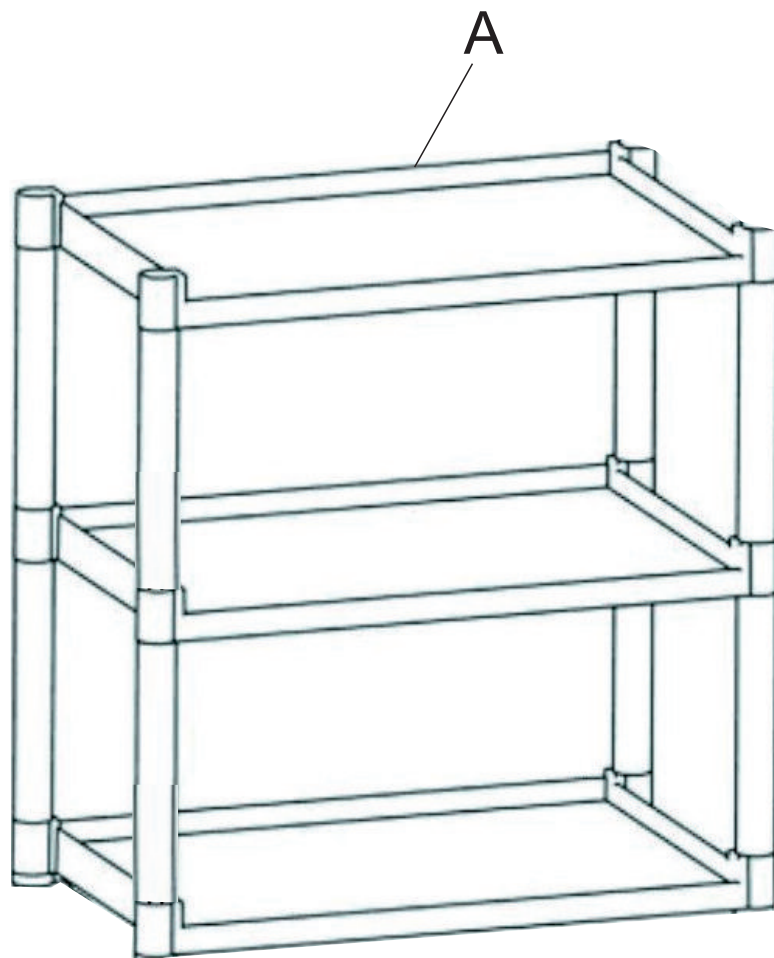
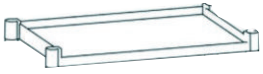
B x4



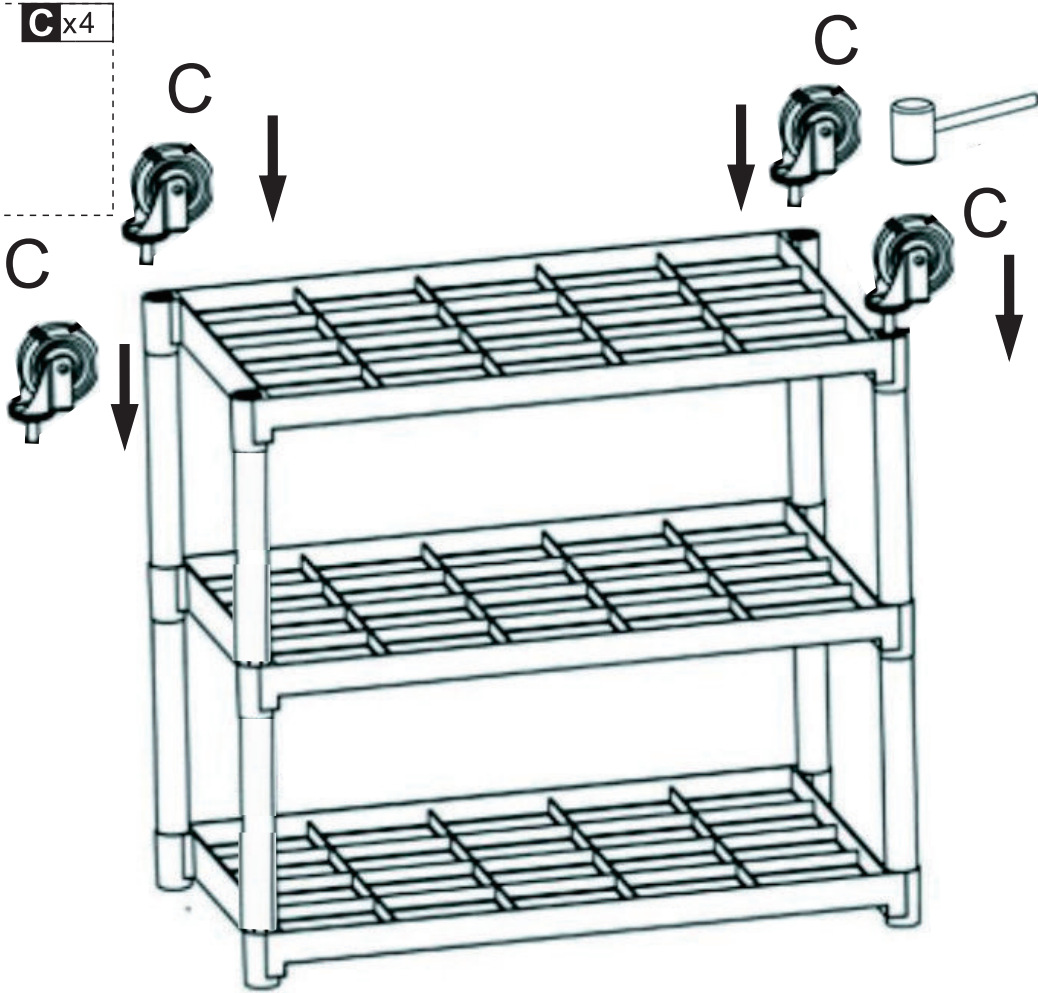
F x1



A x1



C x4



D x2

