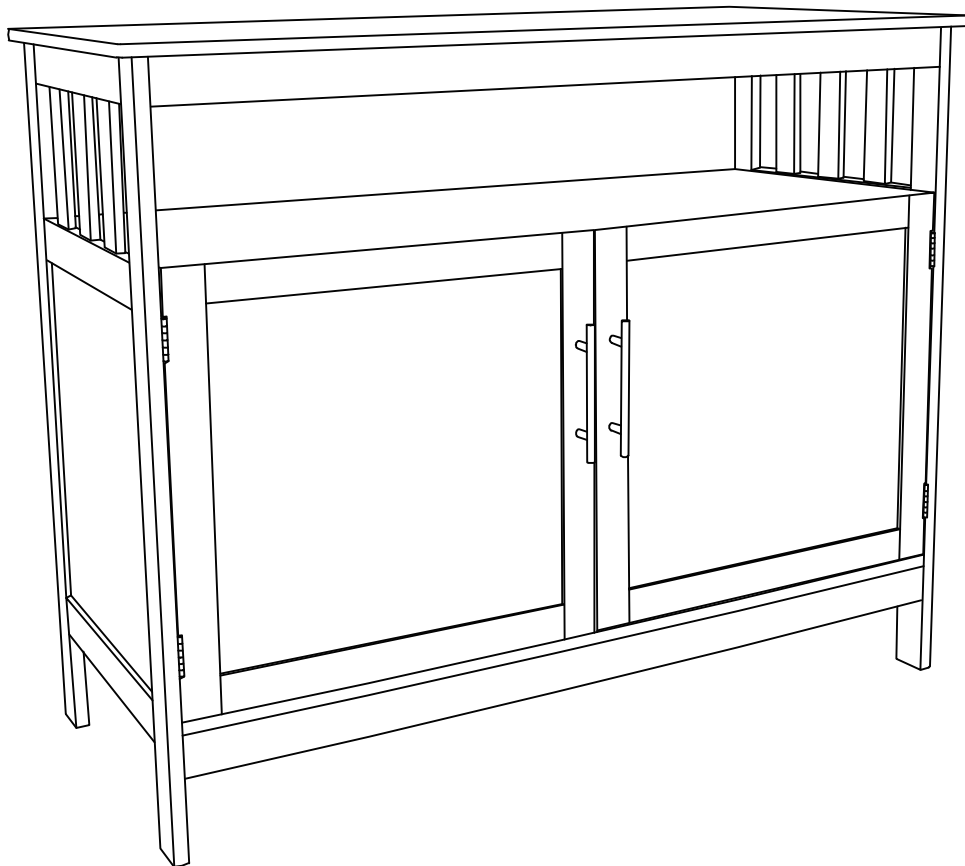




INcp156V02_GL

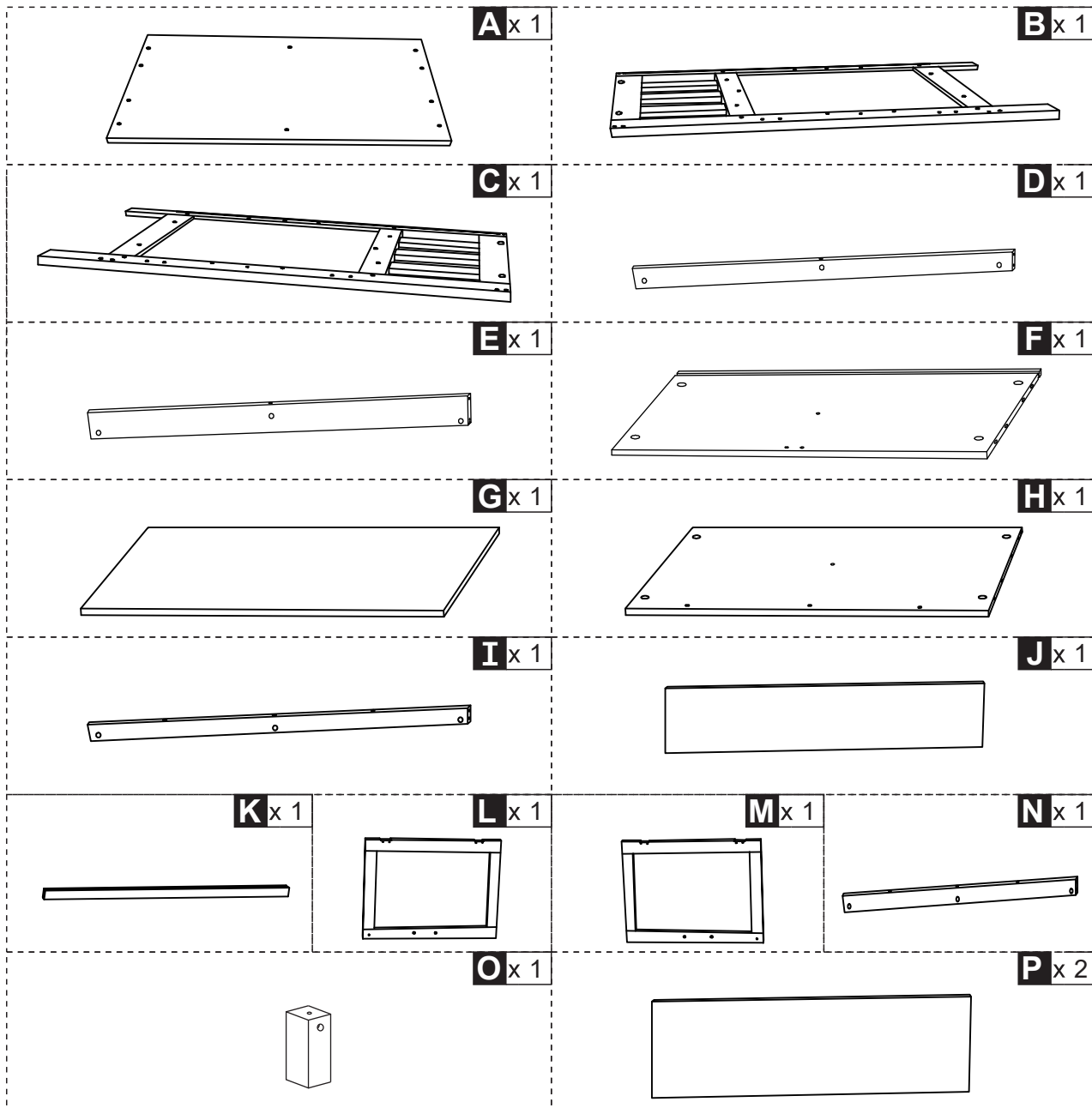
835-241



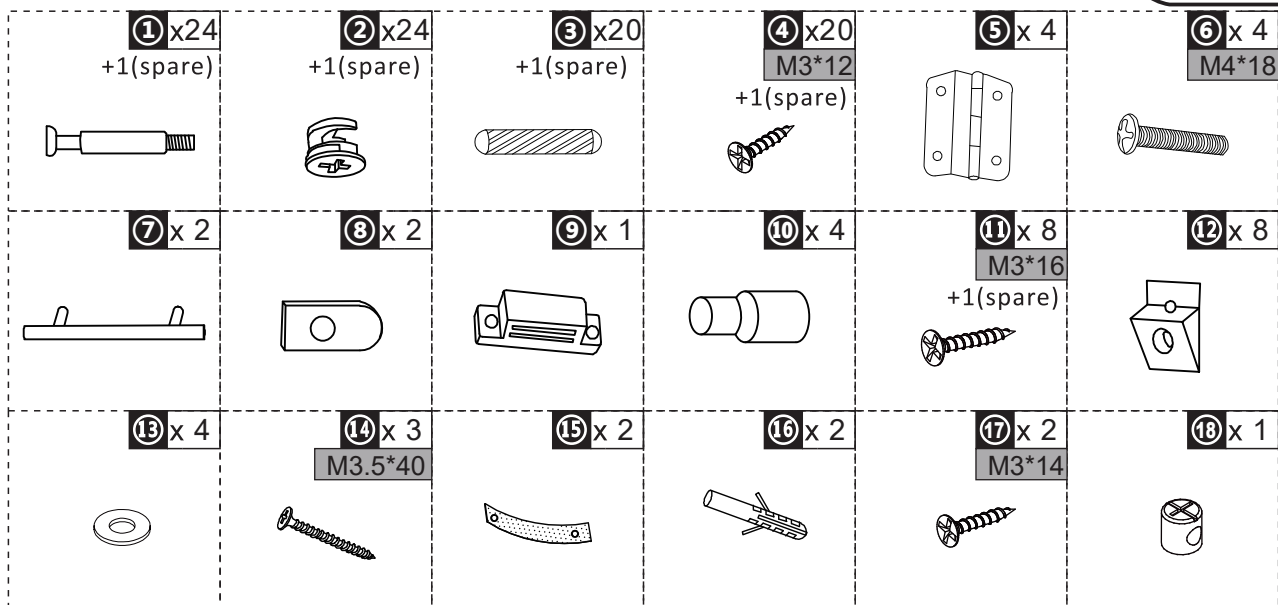
READ AND SAVE THESE INSTRUCTIONS FOR FUTURE USE

ASSEMBLY INSTRUCTION

PARTS

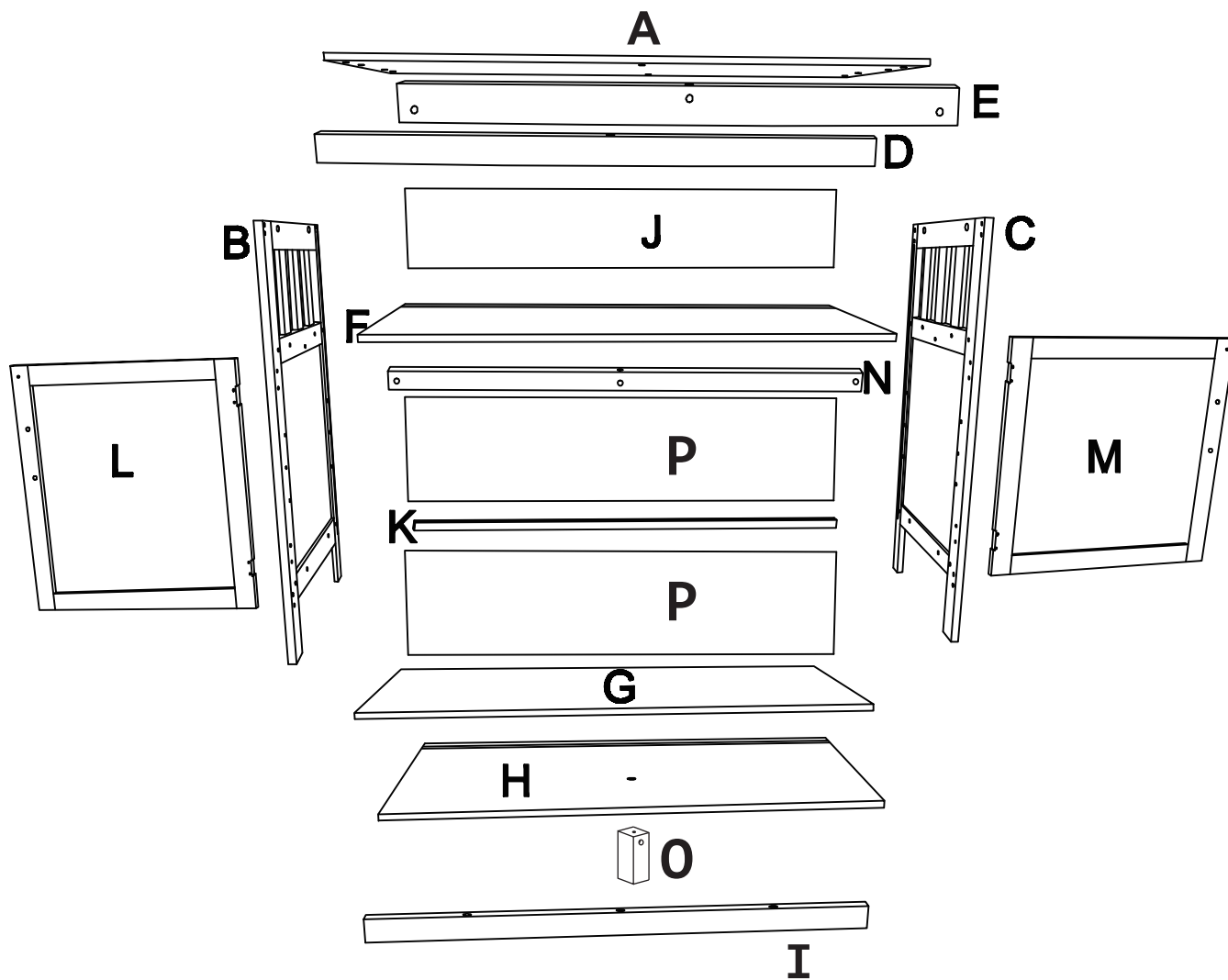


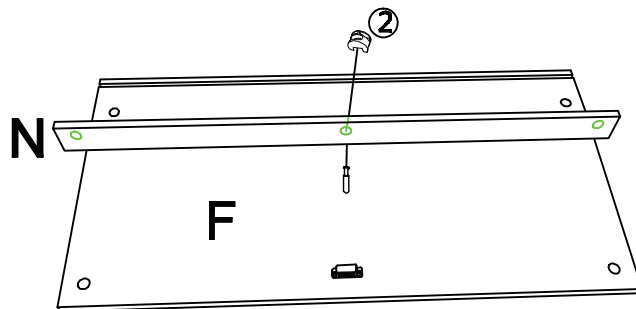
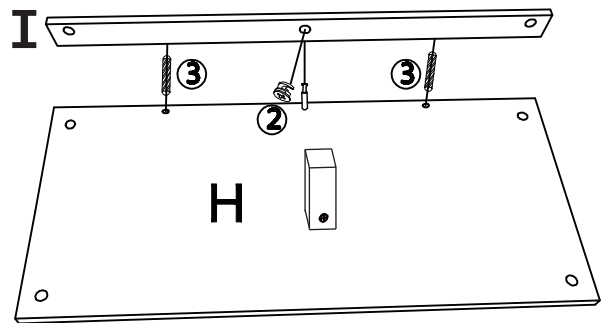
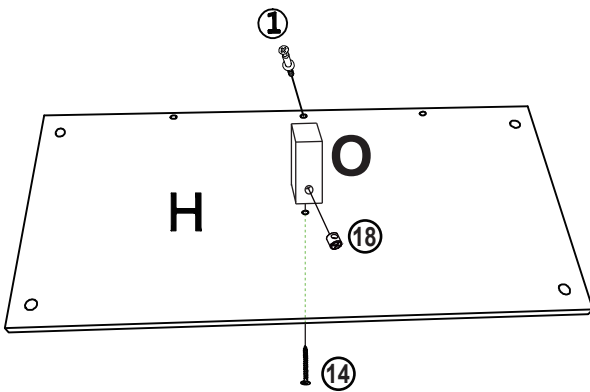
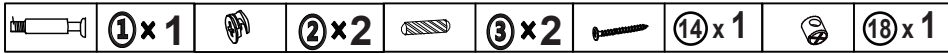
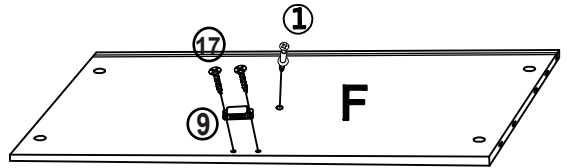
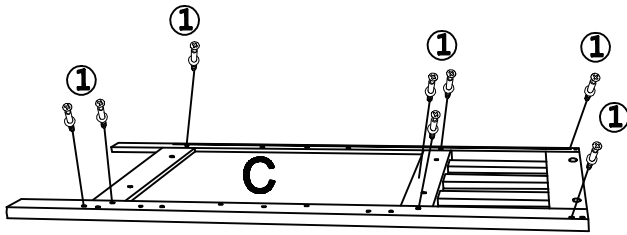
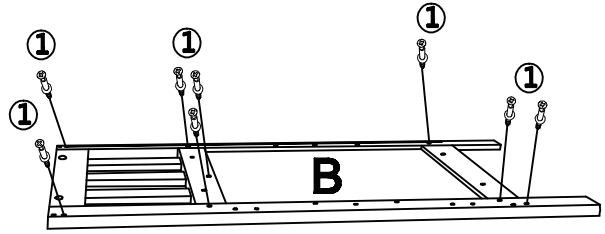
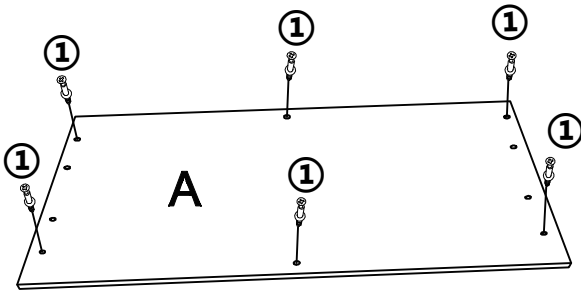
HARDWARE



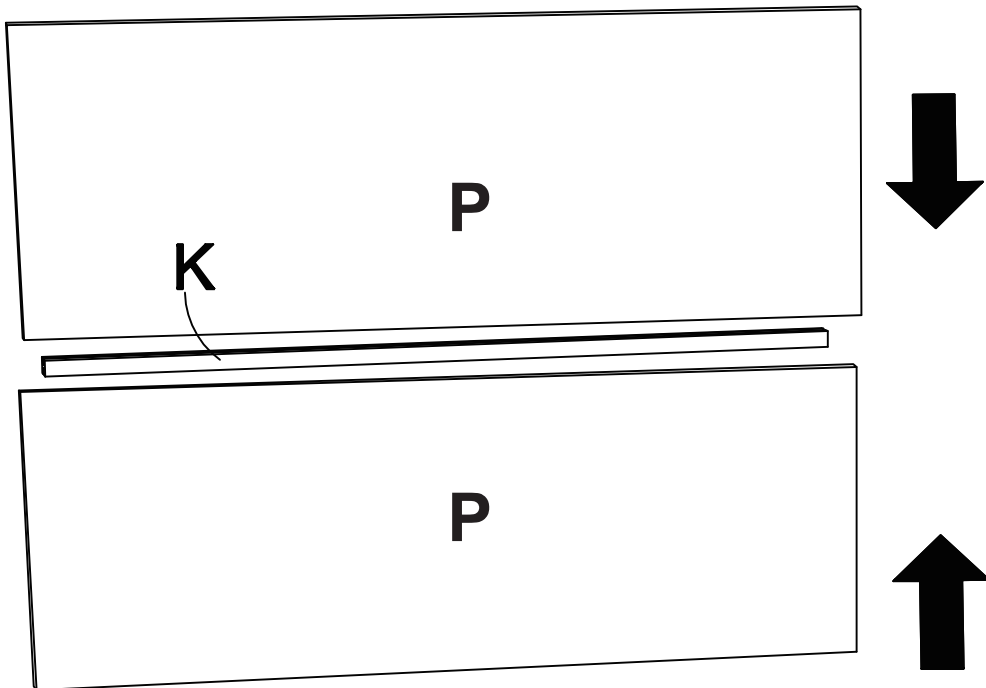
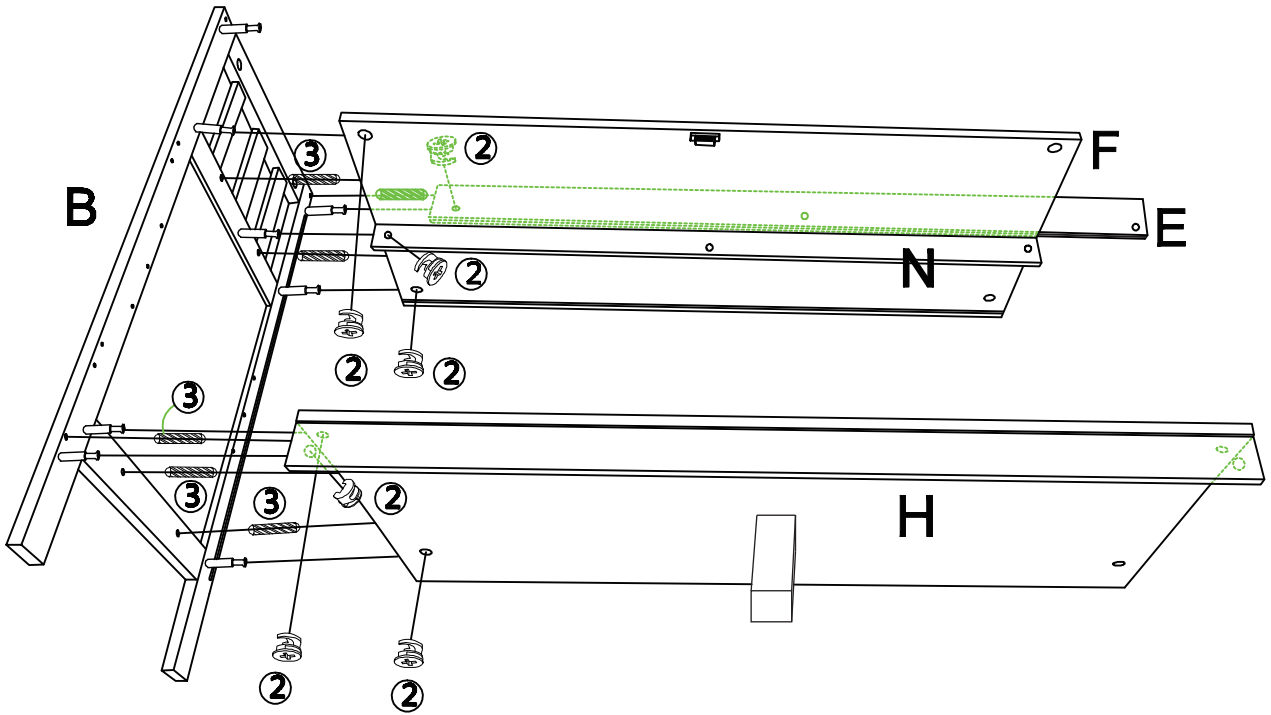
TOOLS RECOMMENDED

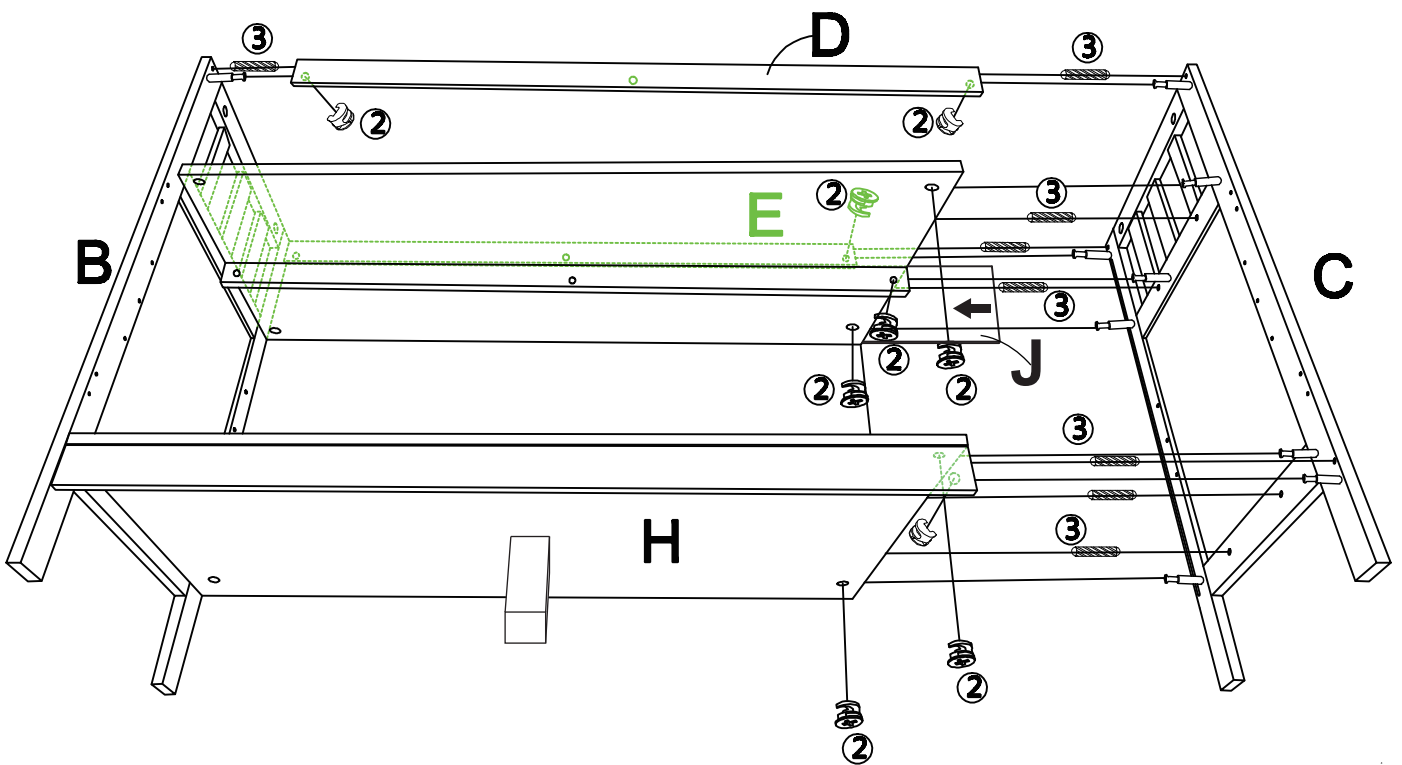
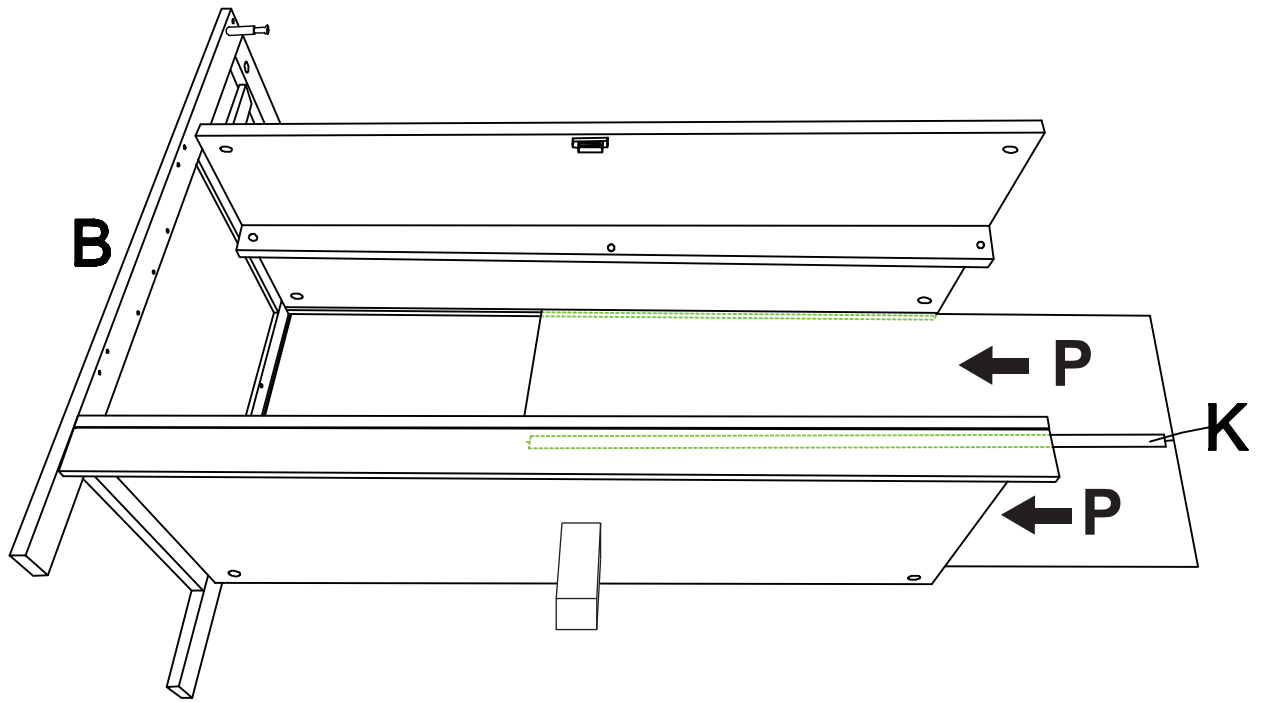


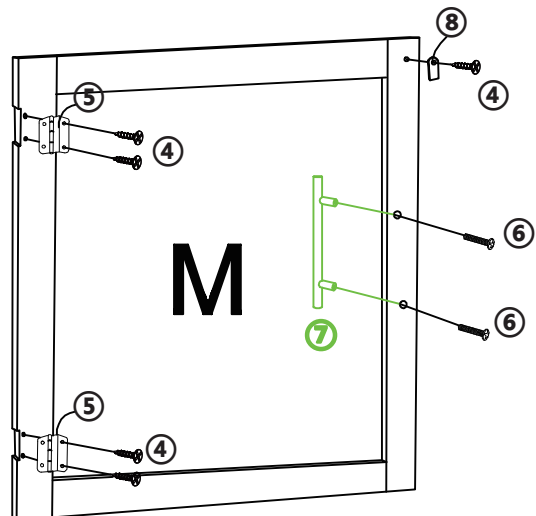
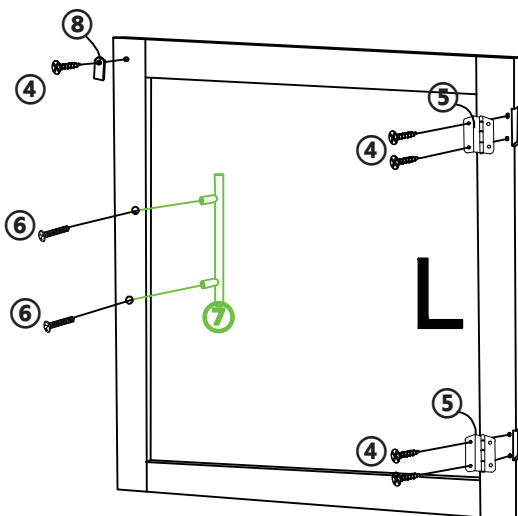
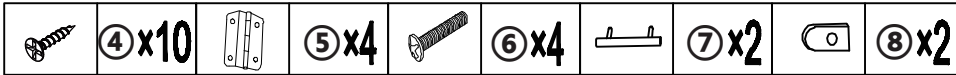
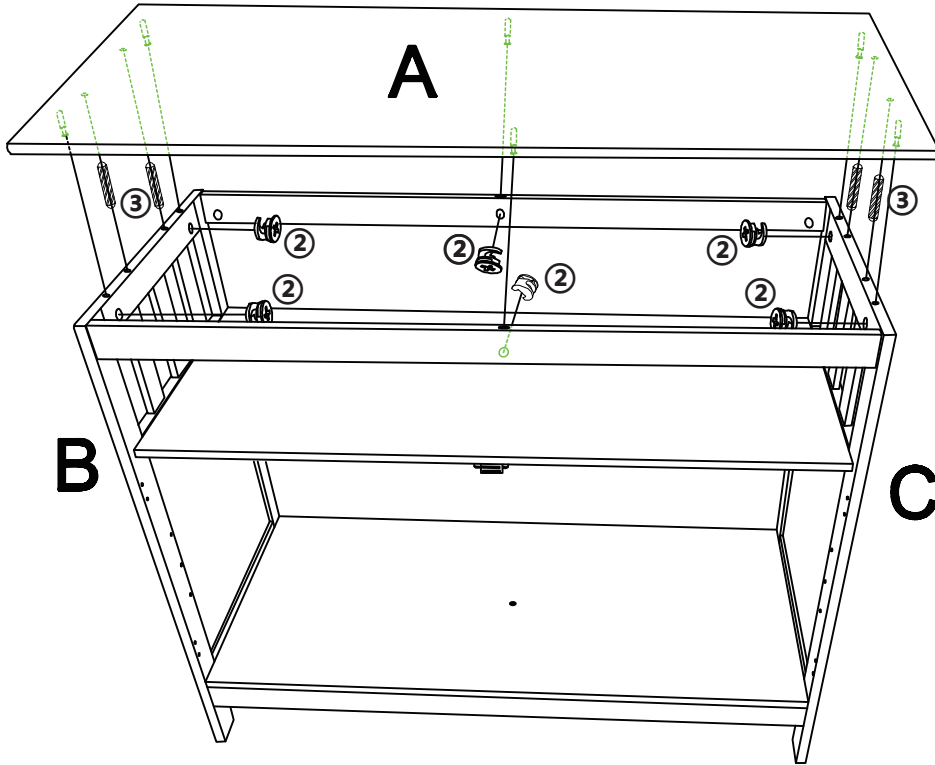


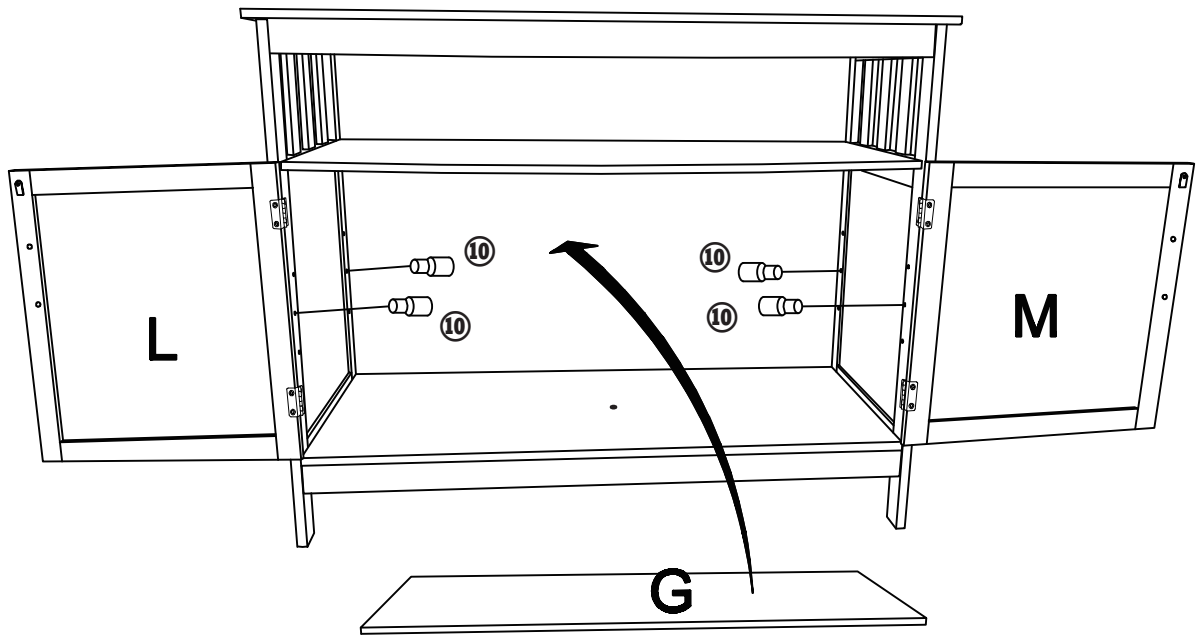
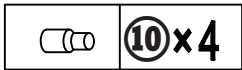
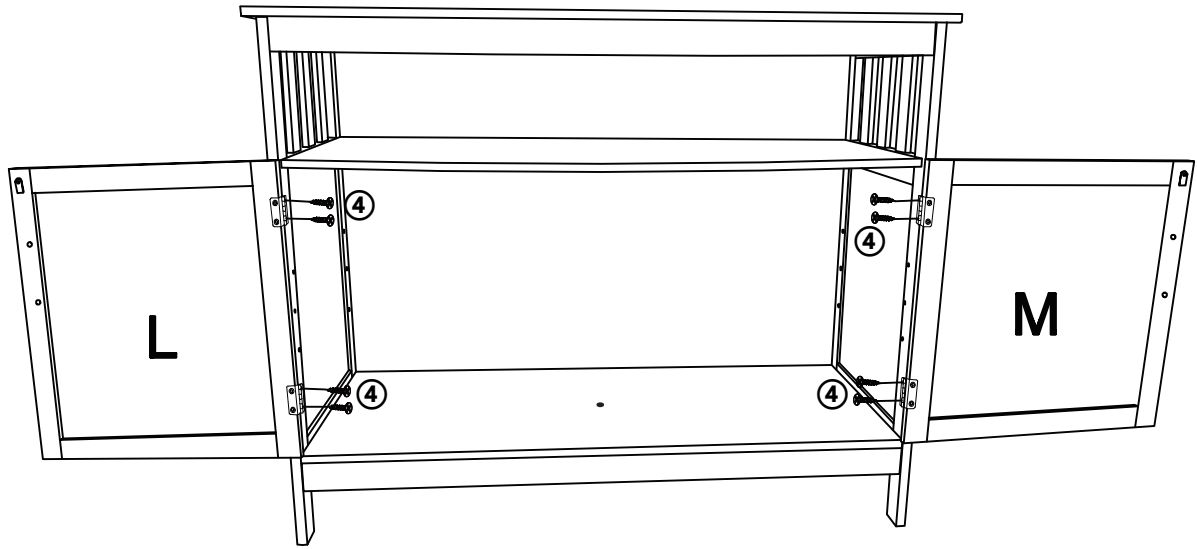



-  2×7
-  3×6

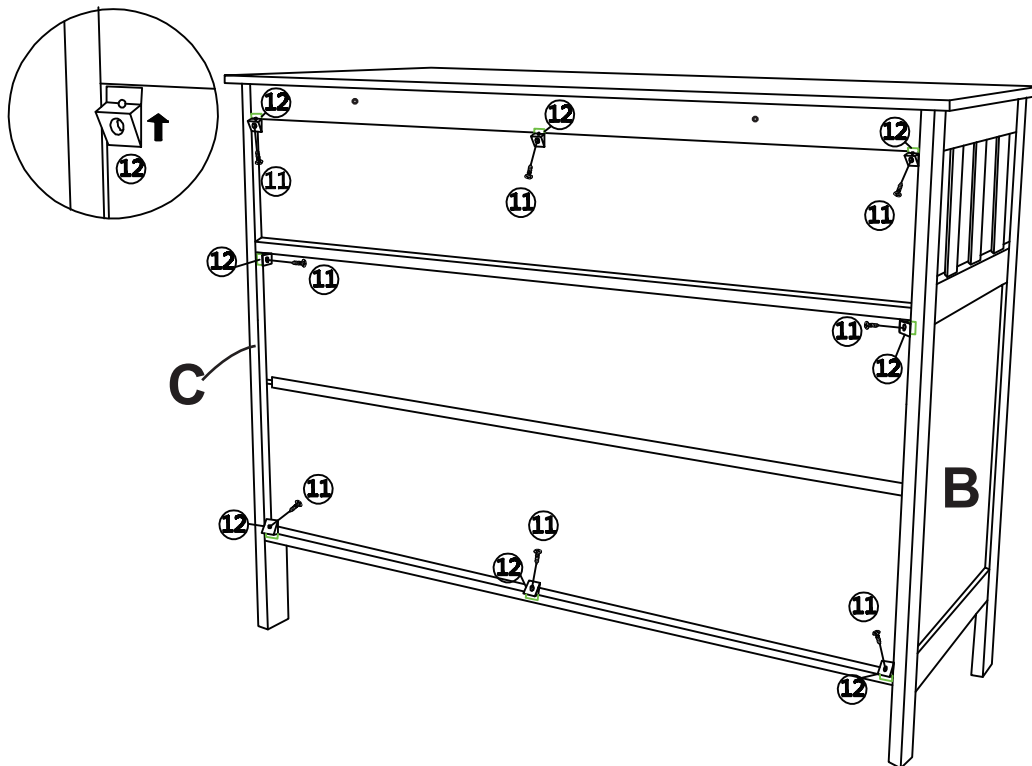













- | | | | |
|---|------|---|------|
|  | 11x8 |  | 12x8 |
|---|------|---|------|



- | | | | | | | | |
|---|------|---|------|---|------|---|------|
|  | 4x2 |  | 14x2 |  | 15x2 |  | 16x2 |
|  | 13x4 | | | | | | |

