











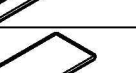








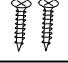


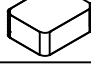



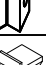


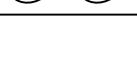
READ AND SAVE THIS INSTRUCTIONS FOR FUTURE USE

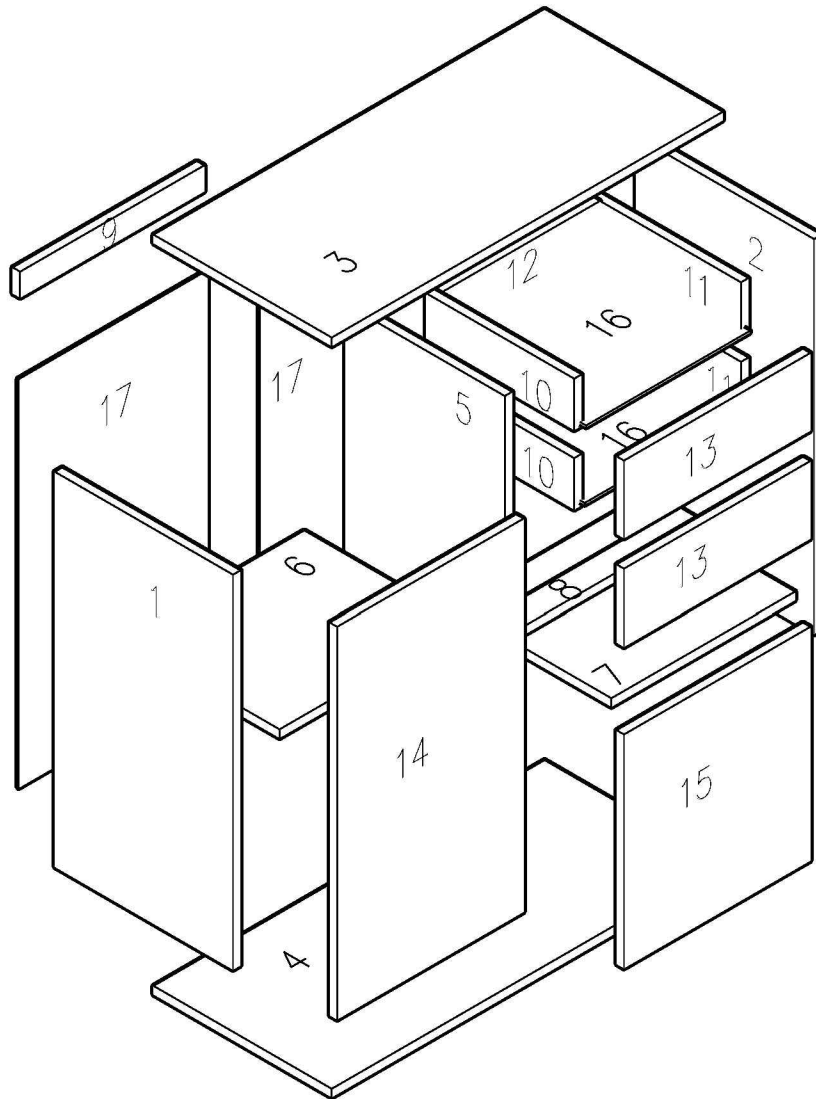
**ASSEMBLY & INSTRUCTION MANUAL**

BOX 1/1:

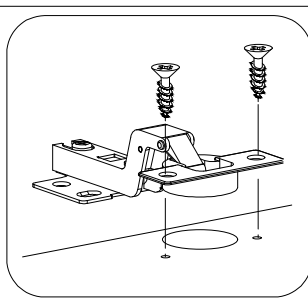
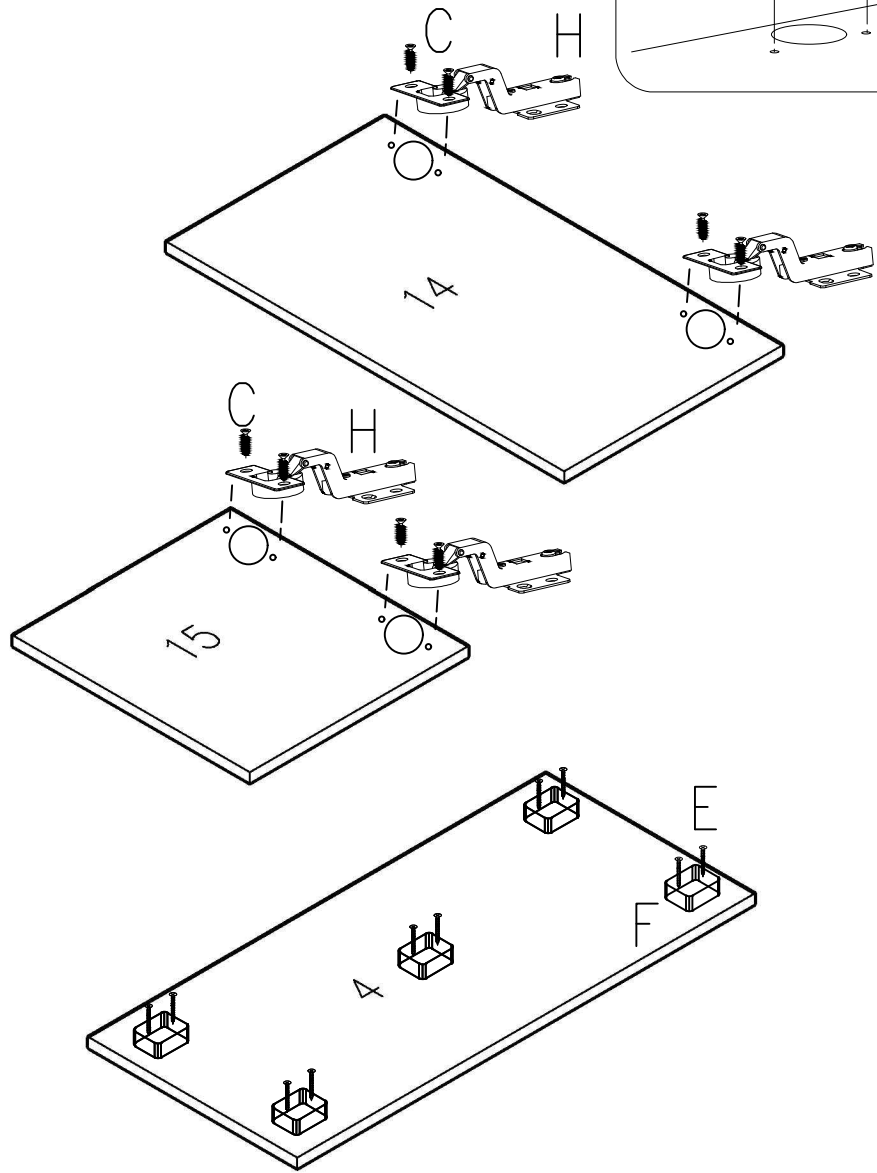
PART NO.	PARTS	QTY
①		X1
②		X1
③		X1
④		X1
⑤		X1
⑥		X1
⑦		X1
⑧		X1
⑨		X2
⑩		X2
⑪		X2
⑫		X2
⑬		X2
⑭		X1
⑮		X1
⑯		X2
⑰		X2

PACKING DETAILS: TOTAL 1 BOX

PART NO.	PARTS	QTY
Ⓐ		X37
Ⓑ		X16
Ⓒ		X58
Ⓓ		X9
Ⓔ		X10
Ⓕ		X5
Ⓖ		X2
Ⓗ		X4
Ⓘ		X4
Ⓙ		X8
Ⓚ		X4
Ⓛ		X2
Ⓜ		X37

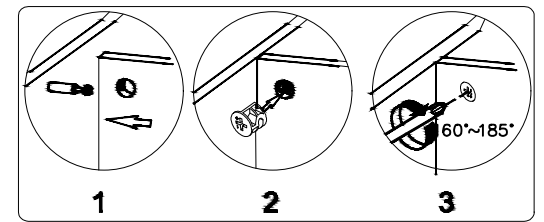
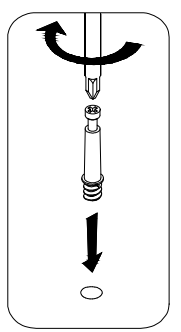
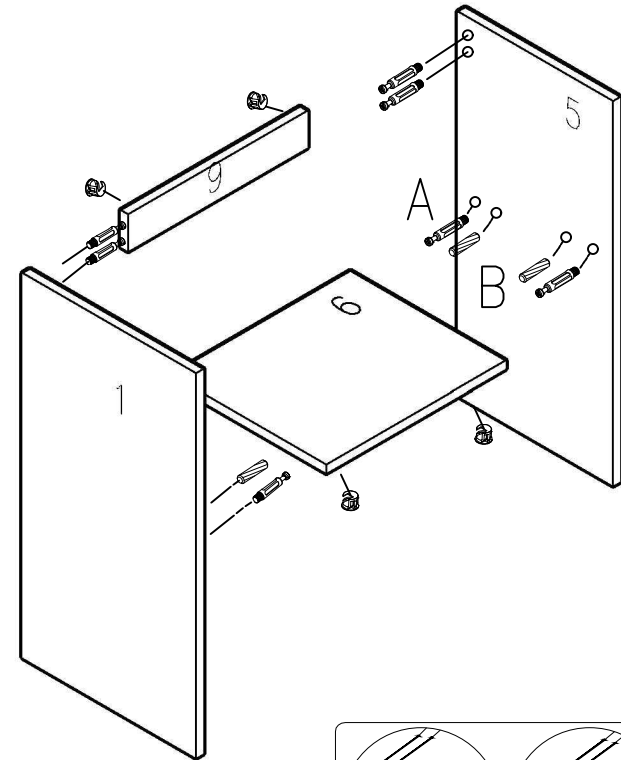


# 1



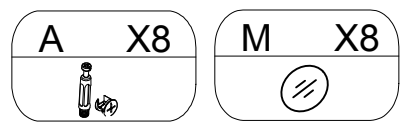
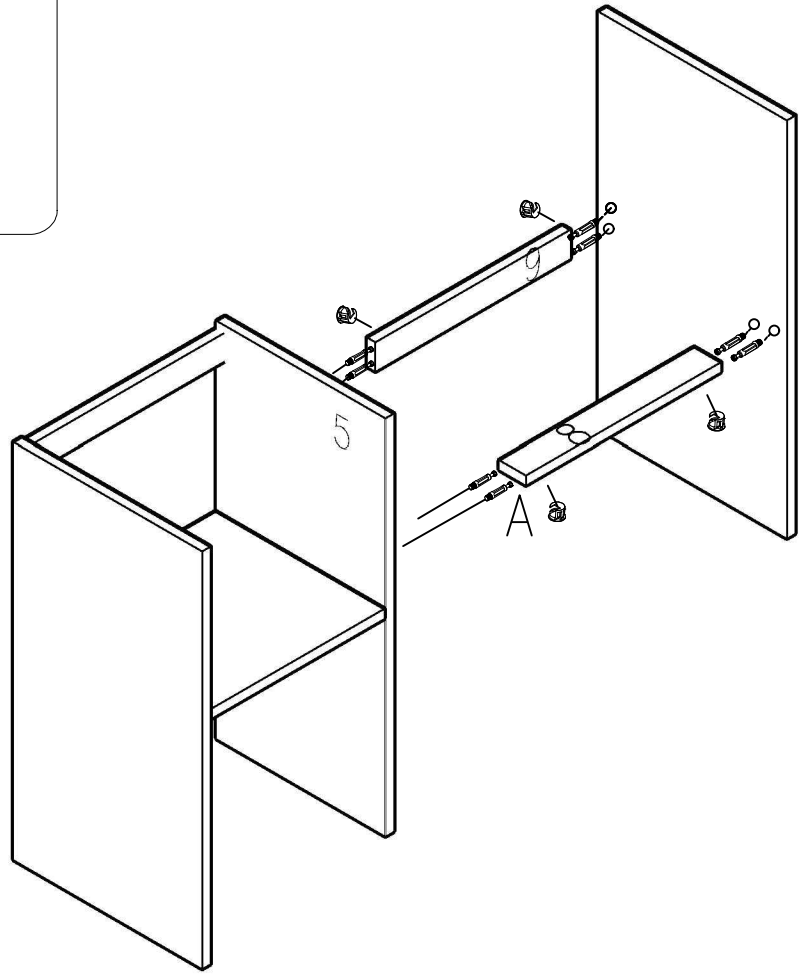
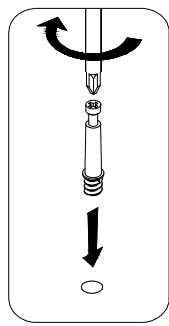
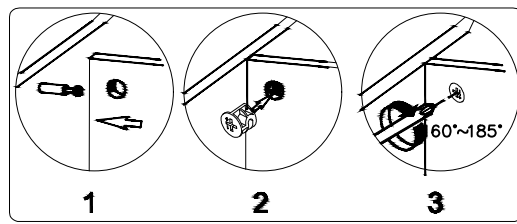
- F X5
- H X4
- C X8
- E X10

# 2



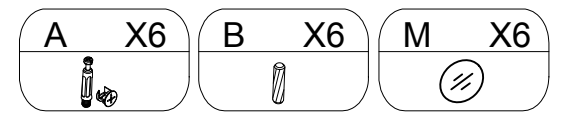
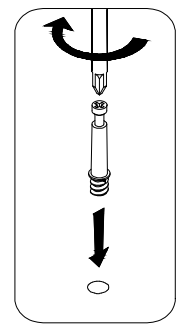
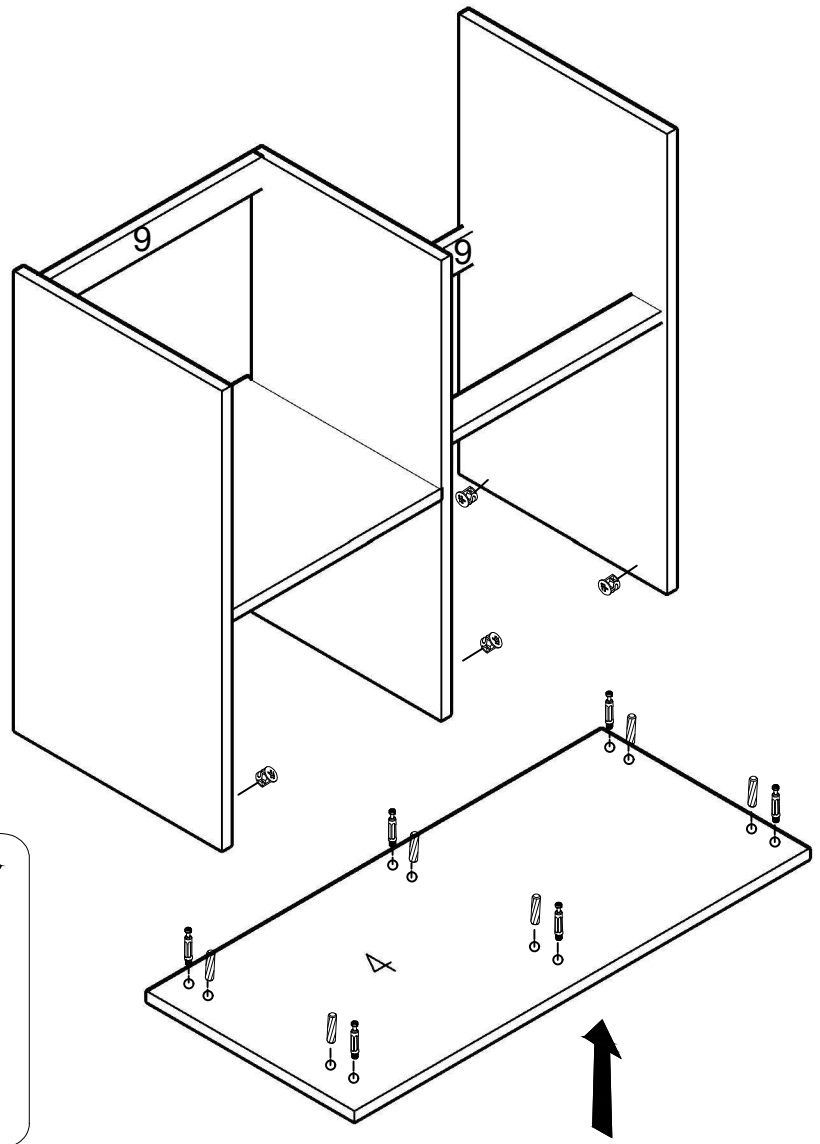
- A X8
- B X4
- M X8

# 3

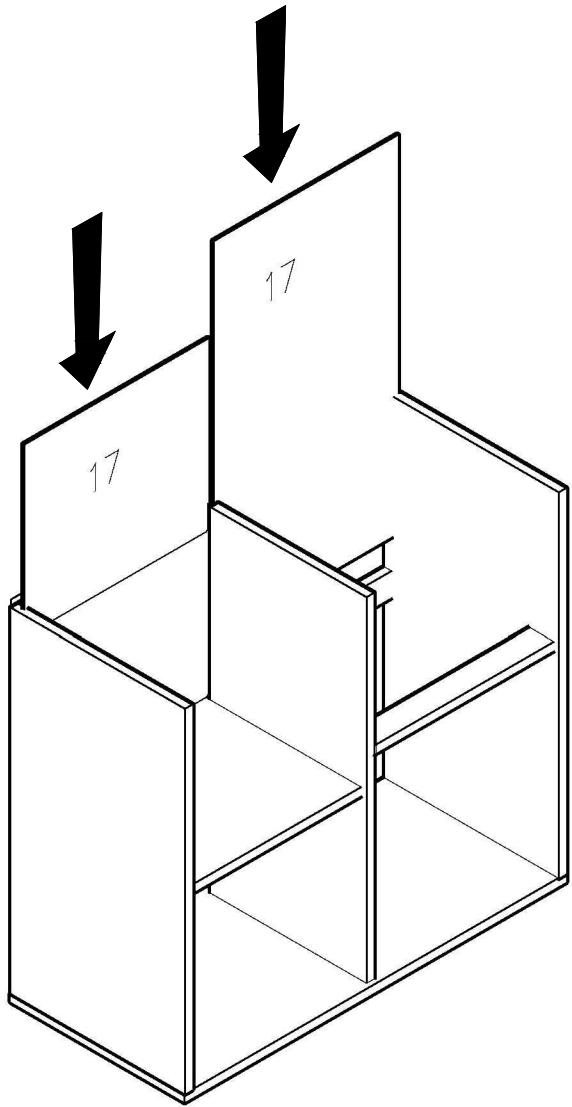


# 4

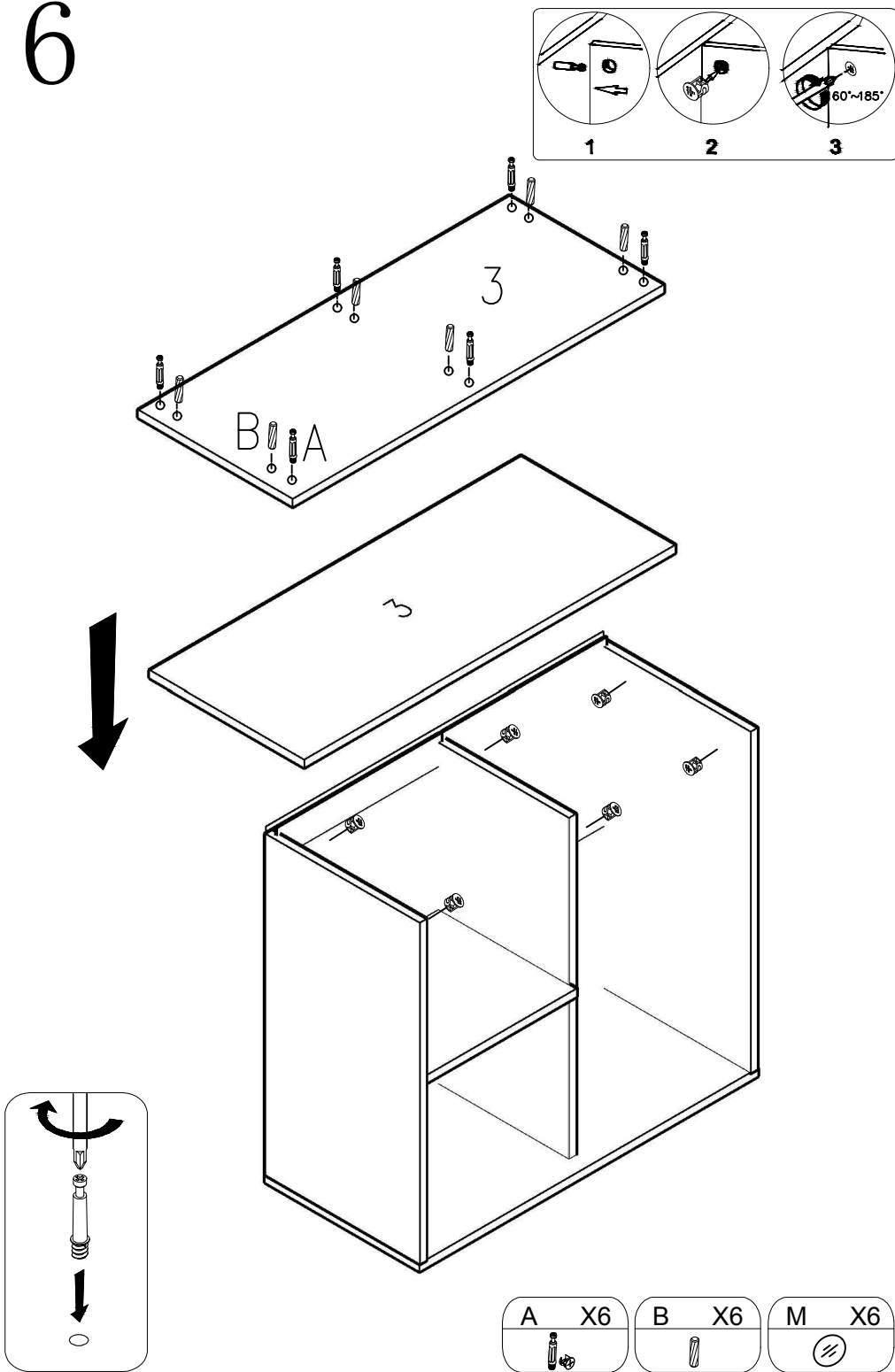
First, remove the protective film on the surface needs to be removed !



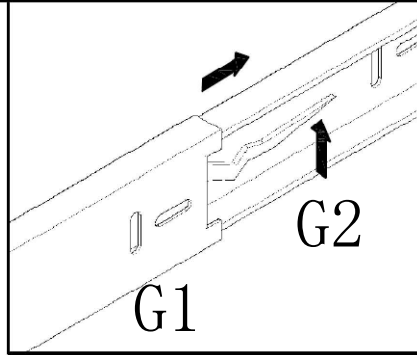
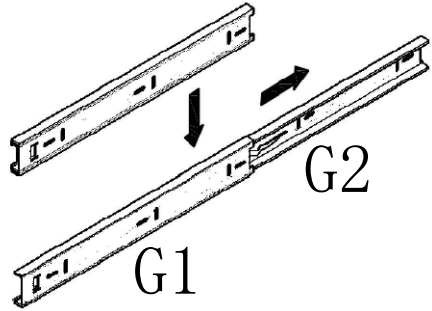
# 5



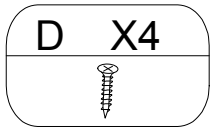
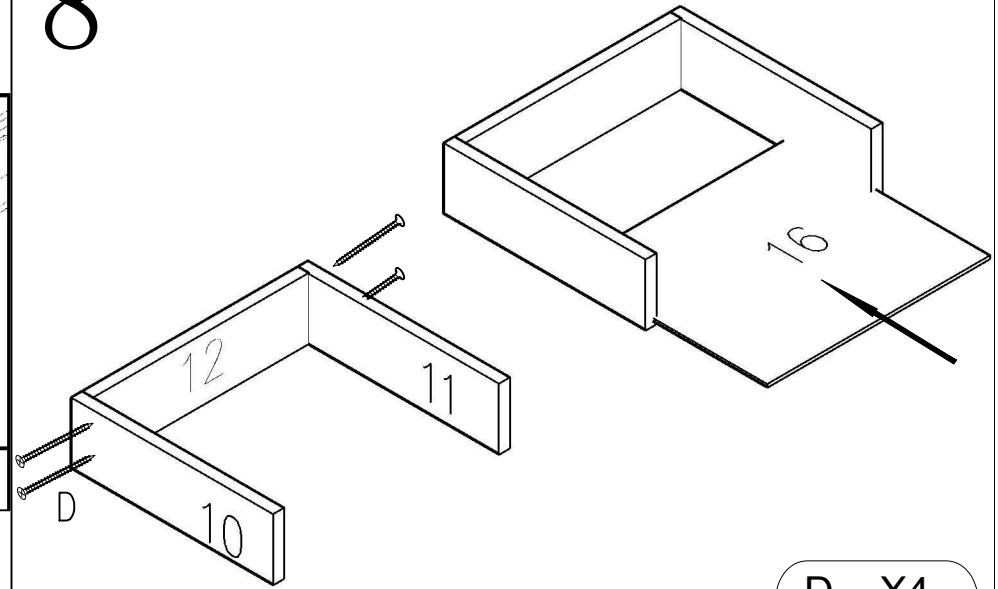
# 6



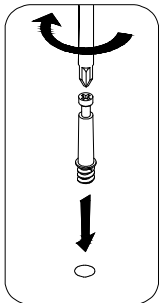
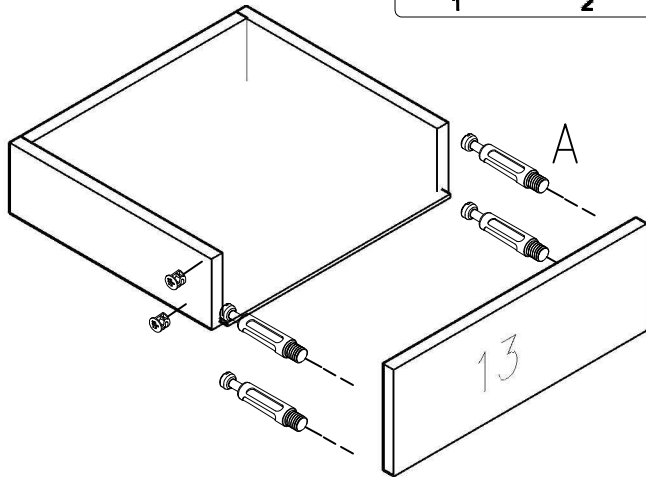
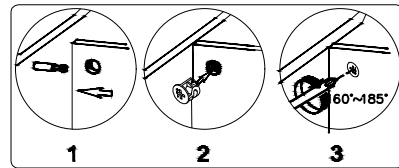
7



8

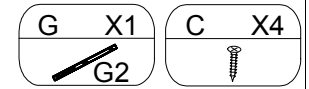
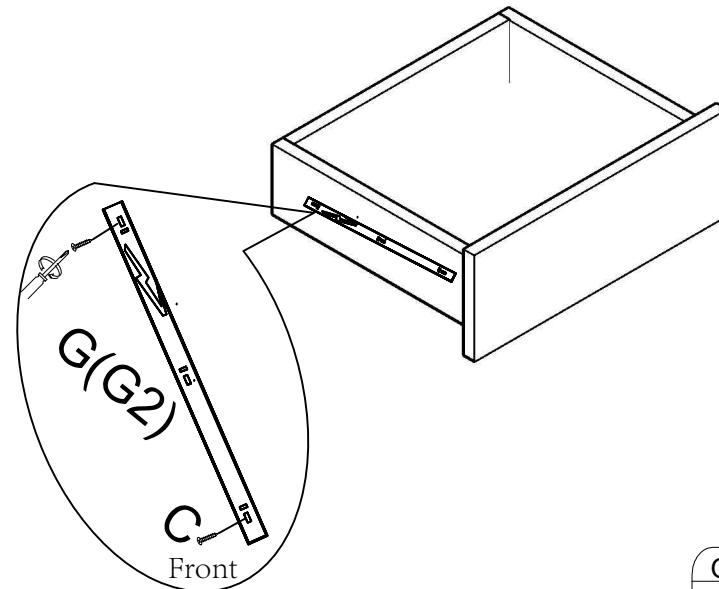


9

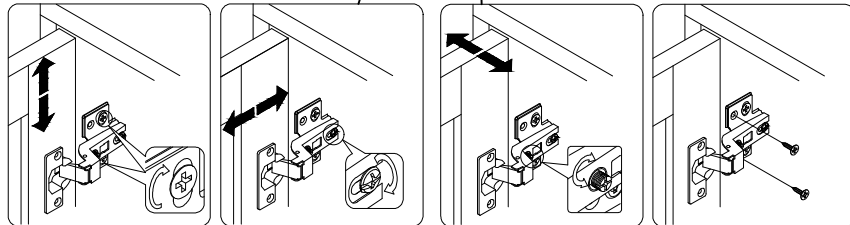
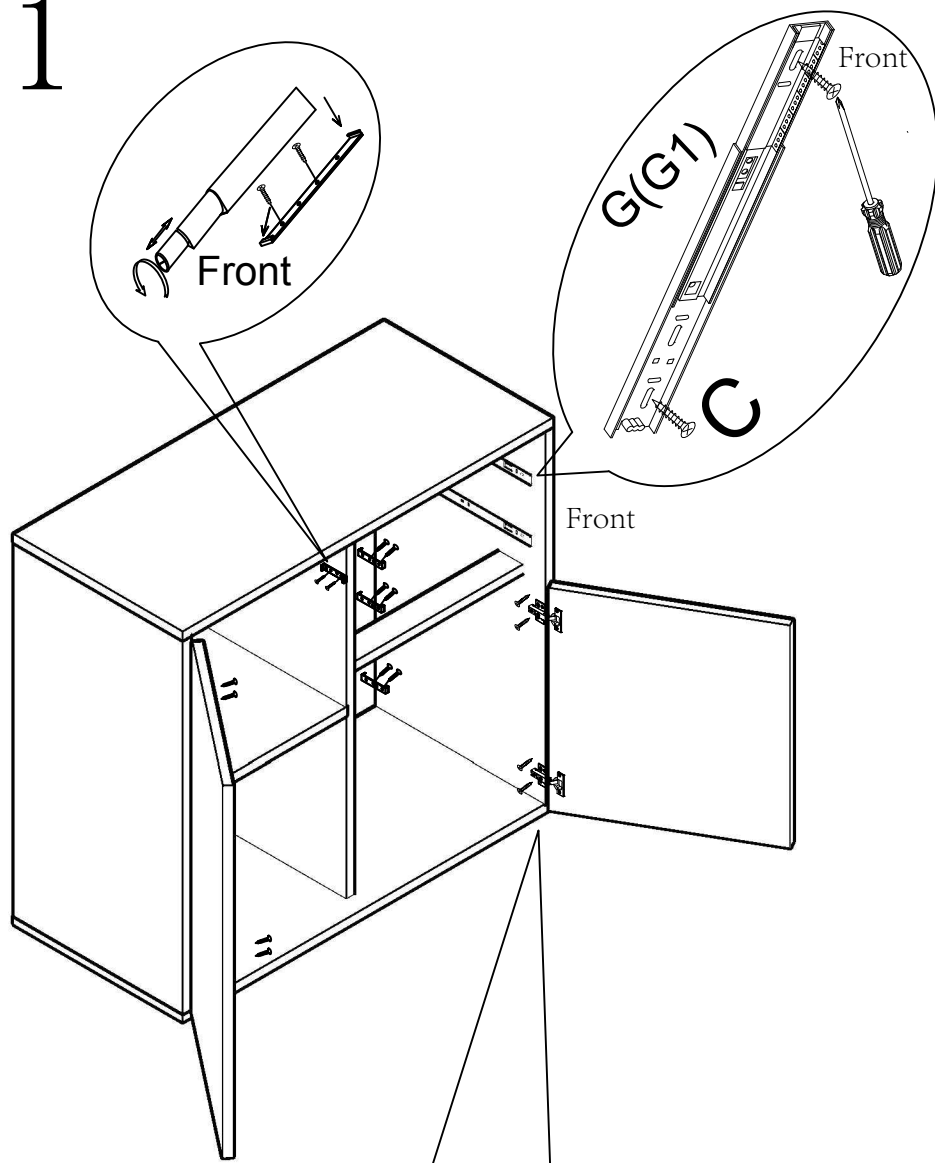





10

X2

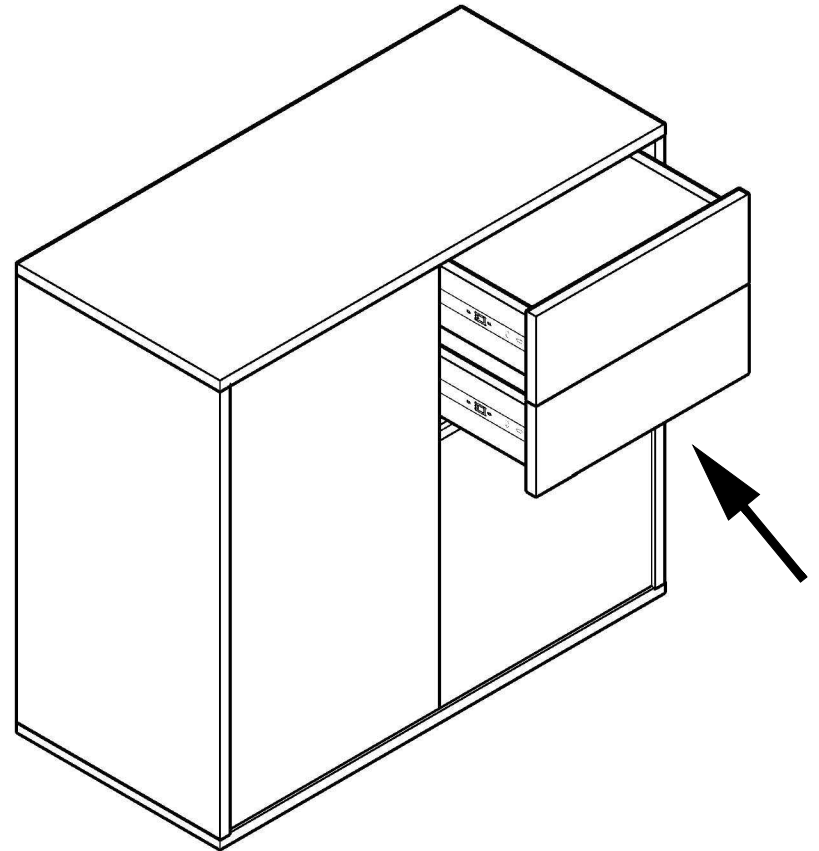


# 11

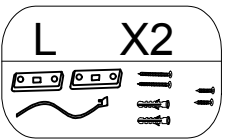
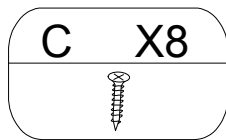
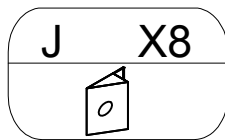
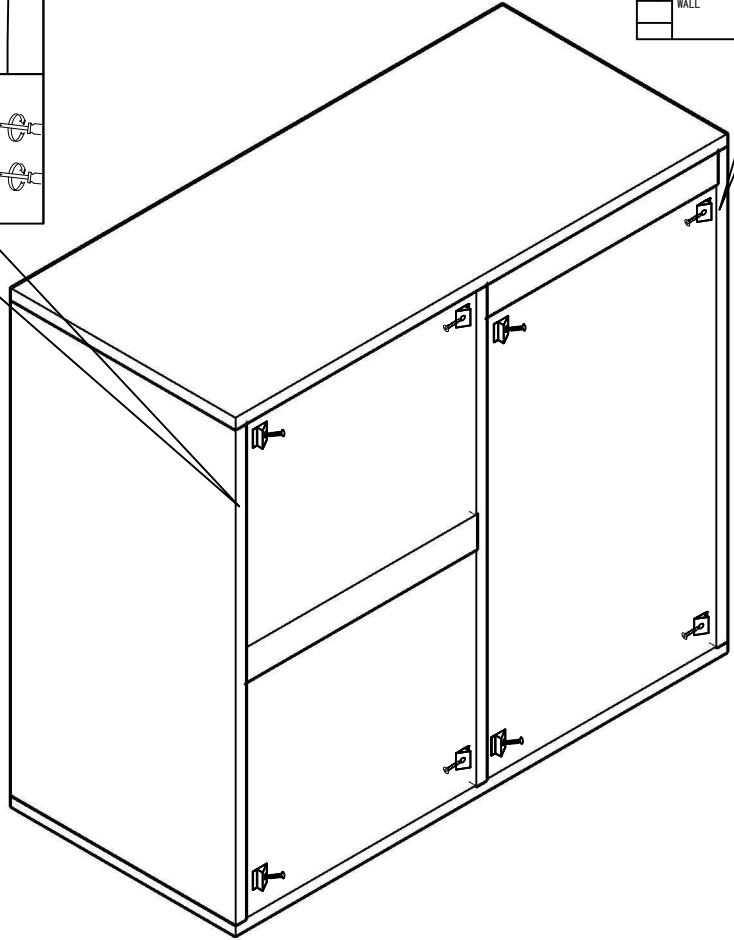
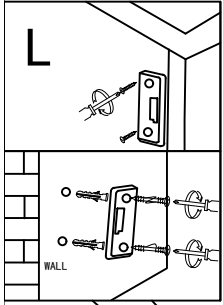
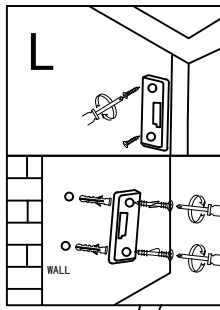


G	X2	C	X24	I	X4
					

# 12

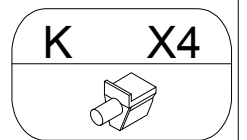
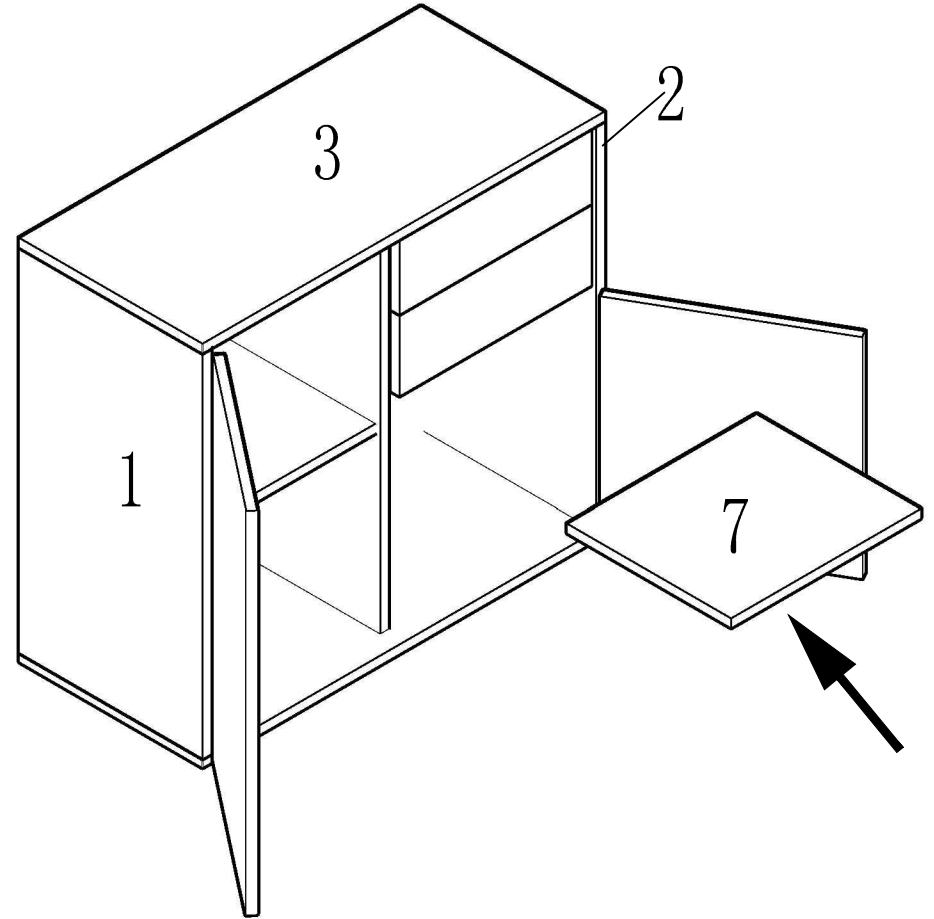


# 13



# 14

Finally, 1/2/3 the protective film on the surface needs to be removed !





US



001-877-644-9366  
customerservice@aosom.com

CA



001-855-537-6088  
customerservice@aosom.ca

UK



0044-800-240-4004  
enquiries@mhstar.co.uk

DE



0049-(0)40-88307530  
service@aosom.de

FR



0033-1-84166106  
contact@aosom.fr

ES



0034-931294512  
atencioncliente@aosom.es

IT



0039-0249471447  
clienti@aosom.it