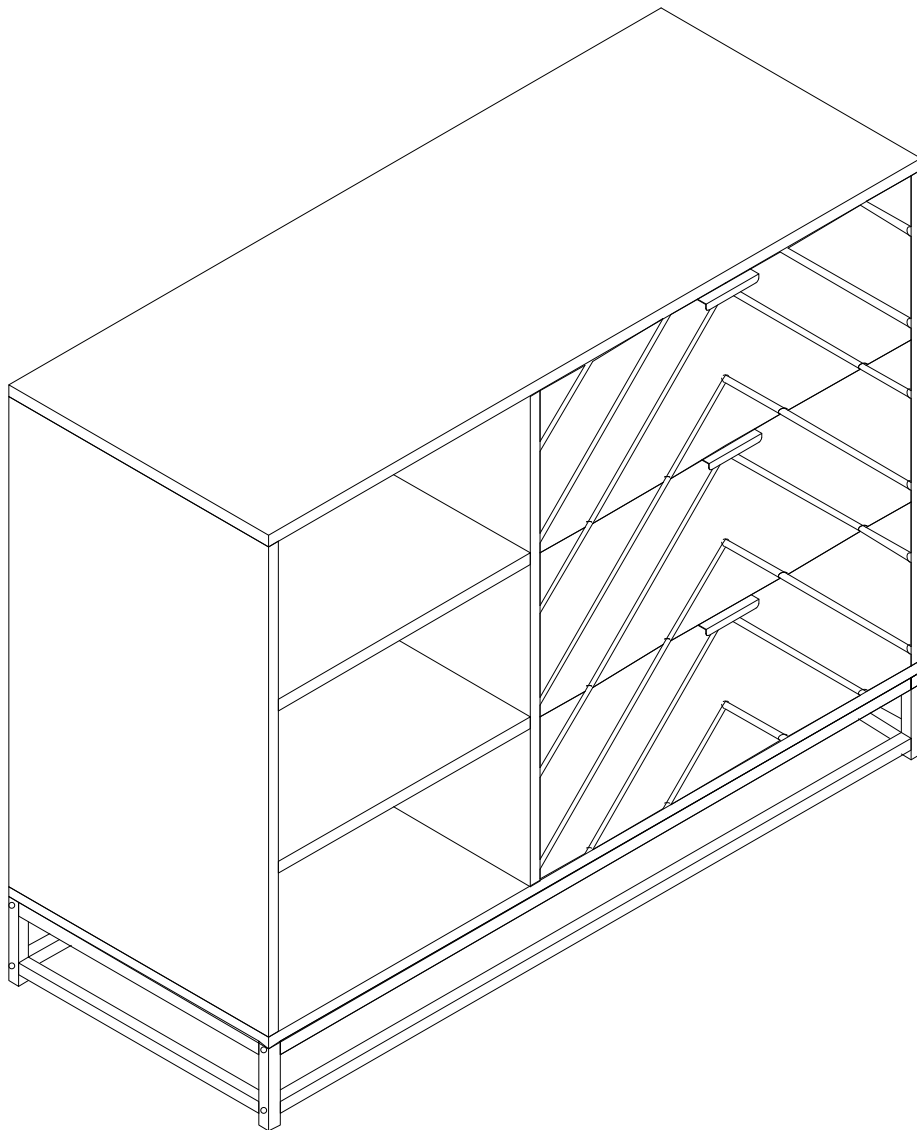




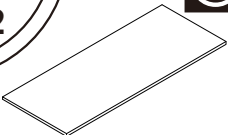


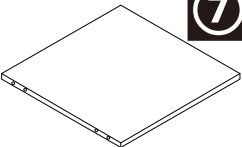
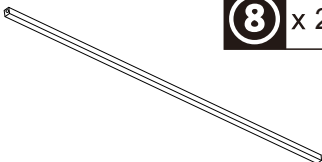
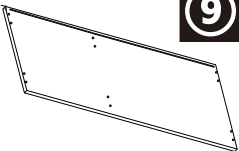
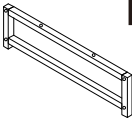
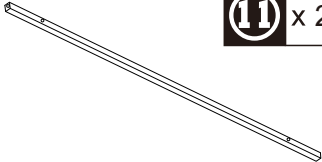
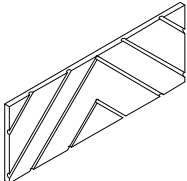
INcpa099_US_CA





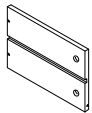
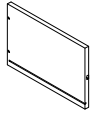
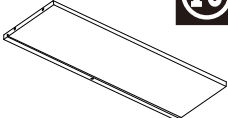



838-237



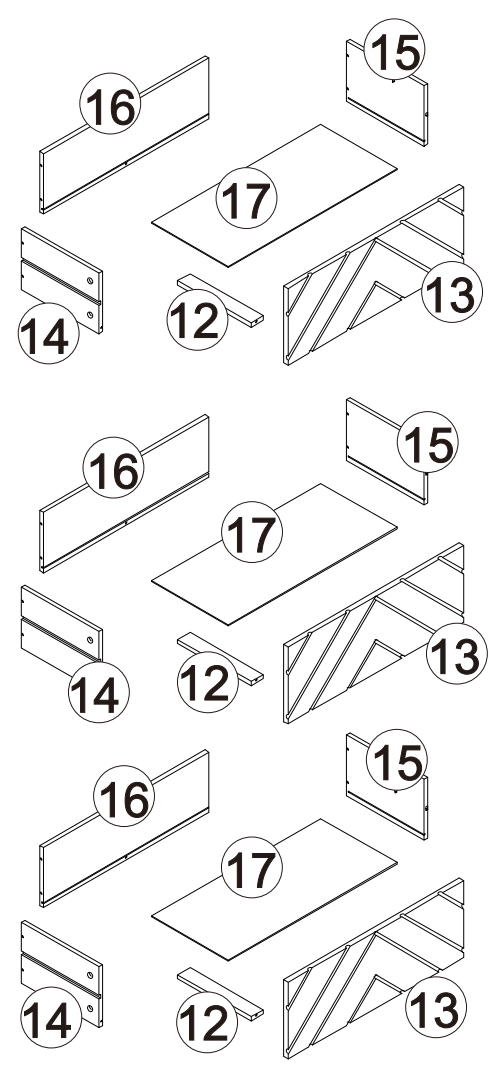
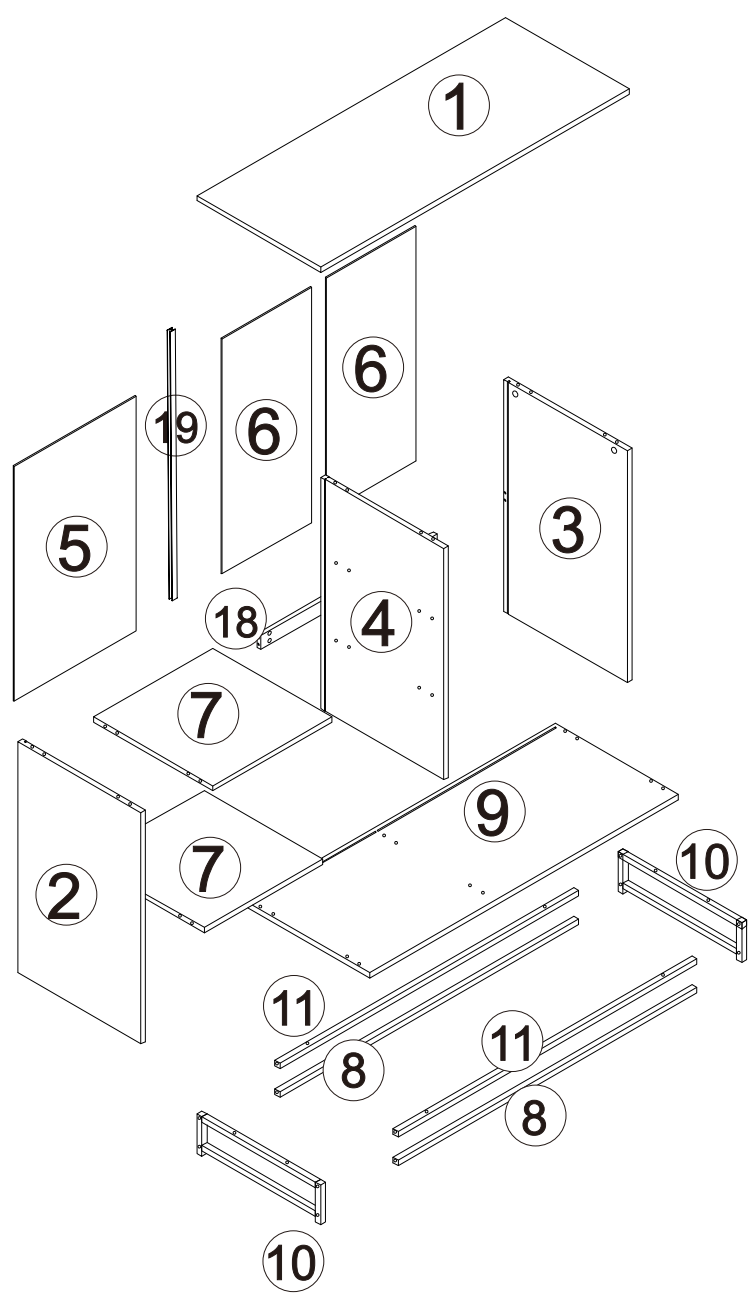
IMPORTANT, RETAIN FOR FUTURE REFERENCE: READ CAREFULLY

ASSEMBLY & INSTRUCTION MANUAL

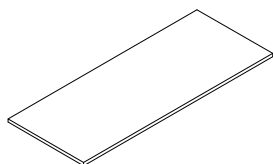
BOX 1-2	1 x 1
	
5 x 1	
	
6 x 2	
	
7 x 2	
	
8 x 2	
	
9 x 1	
	
10 x 2	
	
11 x 2	
	
13 x 3	
	

BOX 2-2	2 x 1
	
3 x 1	
	
4 x 1	
	
12 x 3	
	
14 x 3	
	
15 x 3	
	
16 x 3	
	
17 x 3	
	
18 x 1	
	
19 x 1	
	

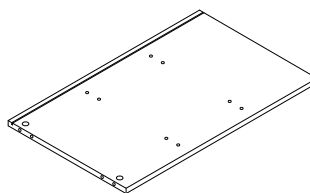




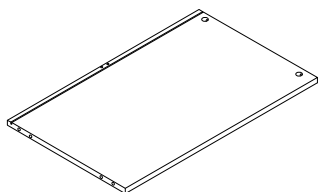
① x 1



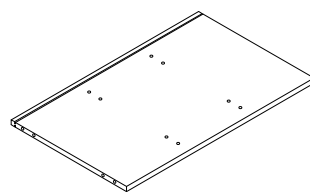
② x 1



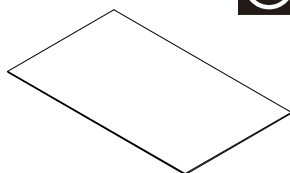
③ x 1



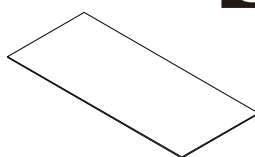
④ x 1



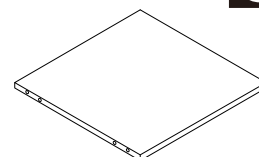
⑤ x 1



⑥ x 2



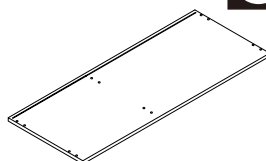
⑦ x 2



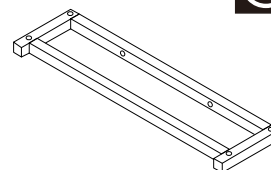
⑧ x 2



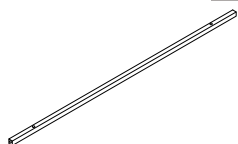
⑨ x 1



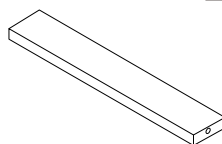
⑩ x 2



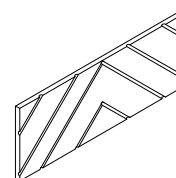
⑪ x 2



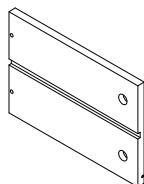
⑫ x 3



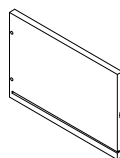
⑬ x 3



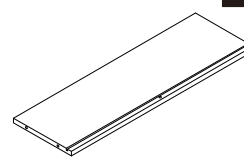
⑭ x 3



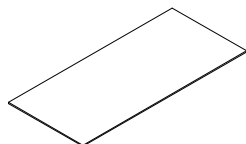
⑮ x 3



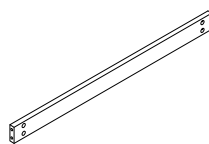
⑯ x 3



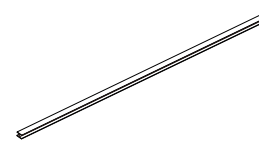
⑰ x 3



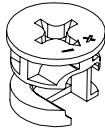
⑱ x 1



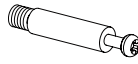
⑲ x 1



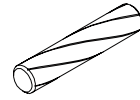
A x33



B x33



C x20



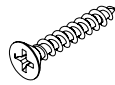
D x18

M3x12



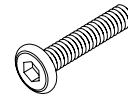
E x23

M4x30

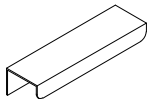


F x 8

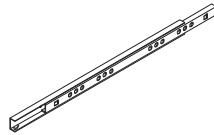
M6x28



G x 3

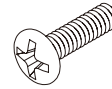


H x6

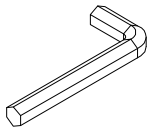


I x 6

M4x12

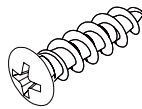


J x 1

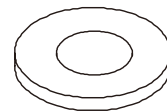


K x1

M4x1



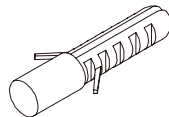
L x 2



M x1

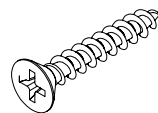


N x 1



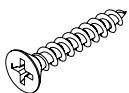
O x 1

M4x40

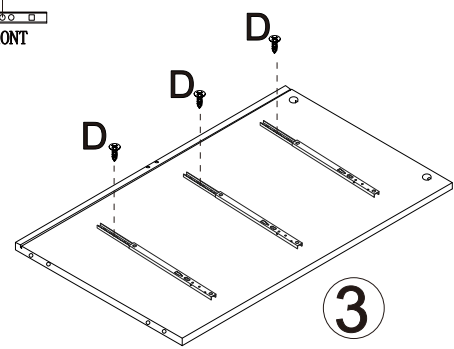
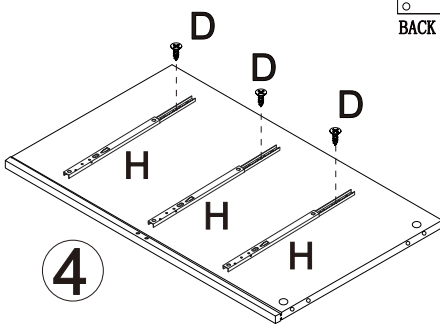
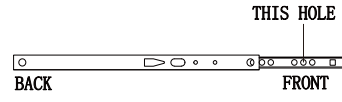
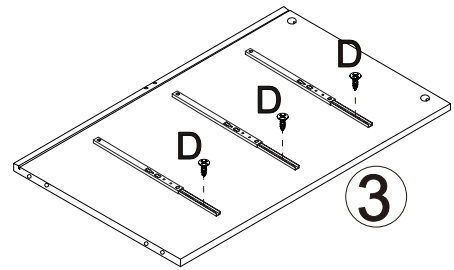
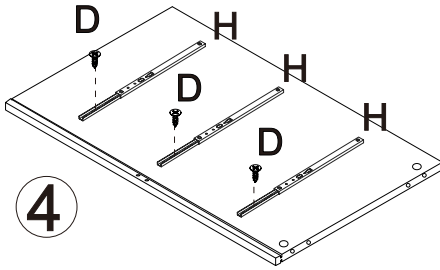
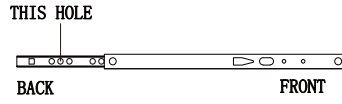


P x 6

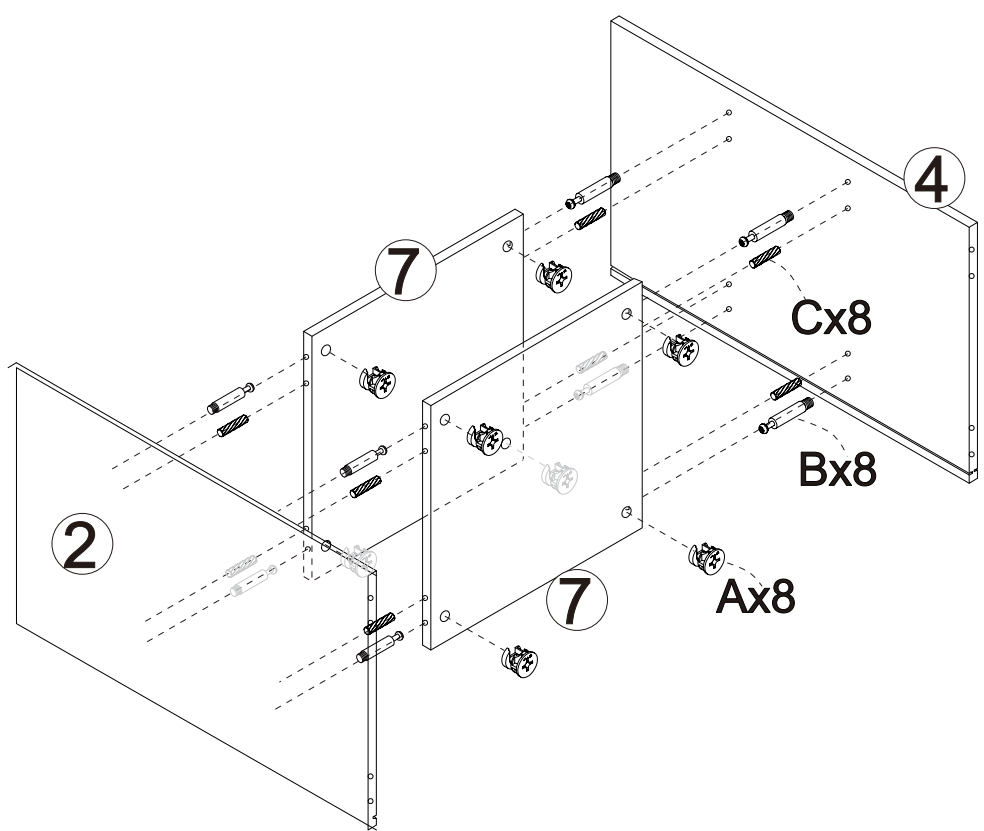
M4x35



D x12
H x6

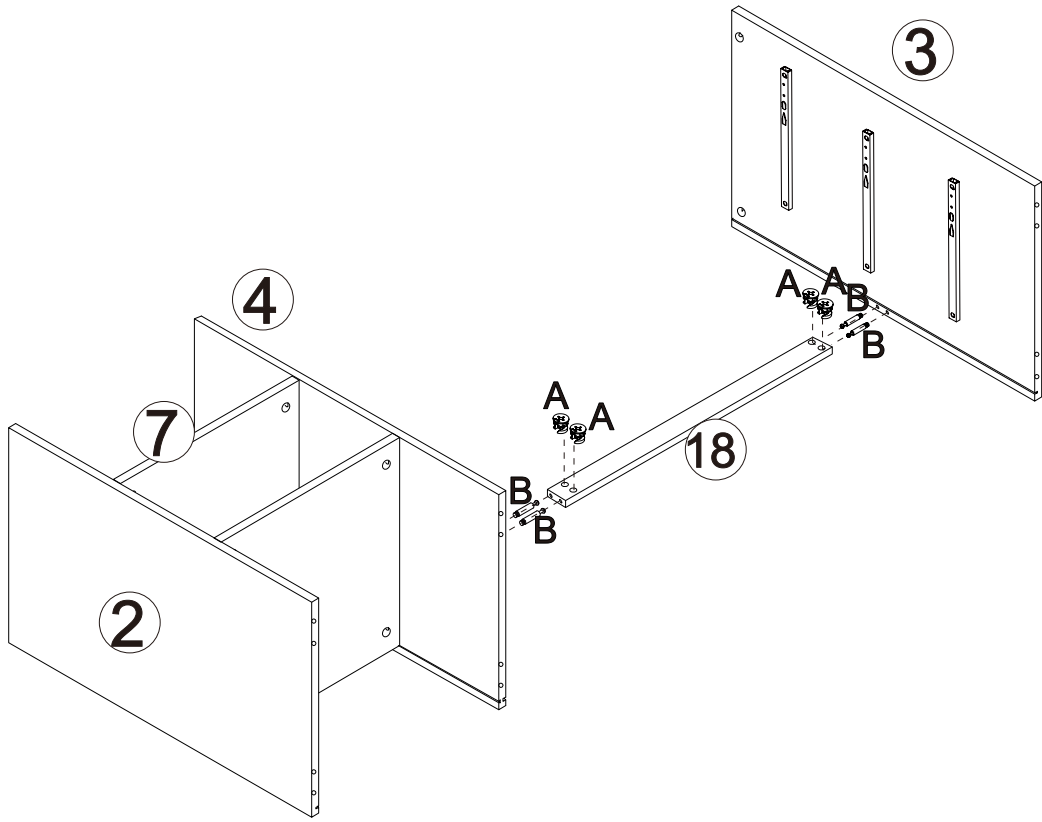


A x8
B x8
C x8



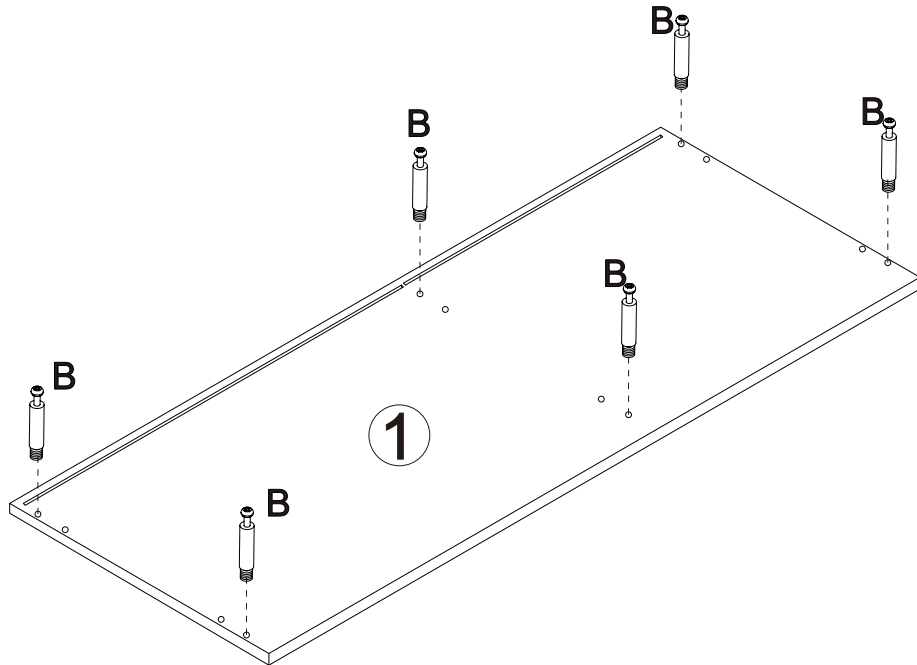
A x 4
B x 4

03



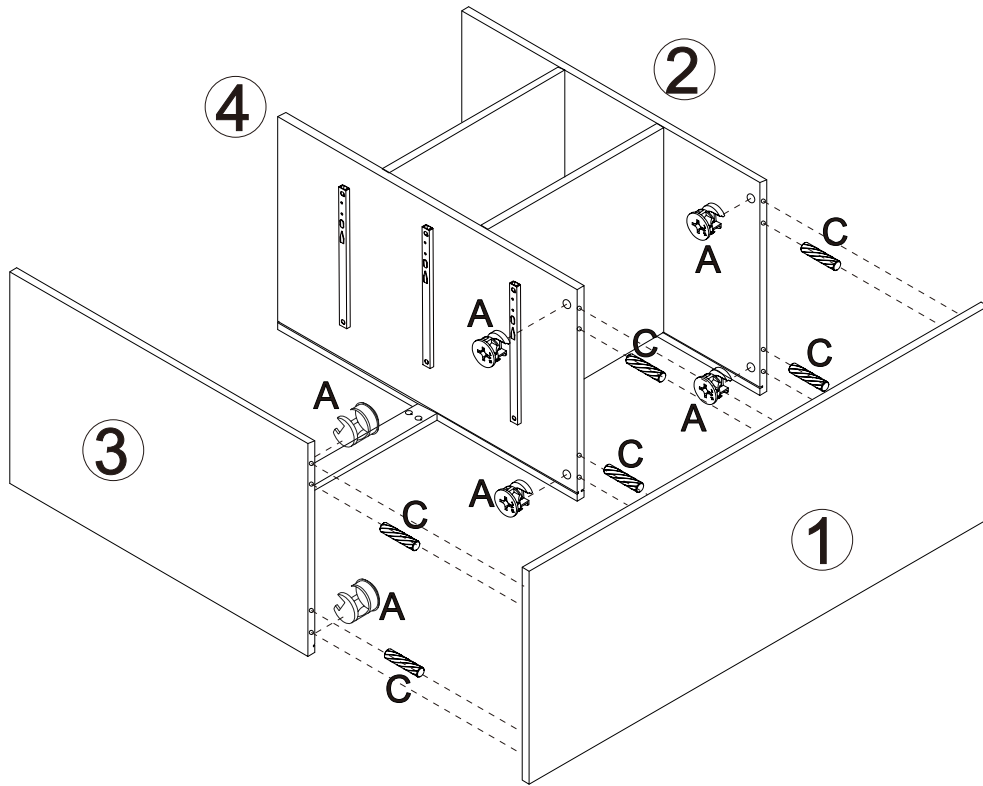
B x 6

04

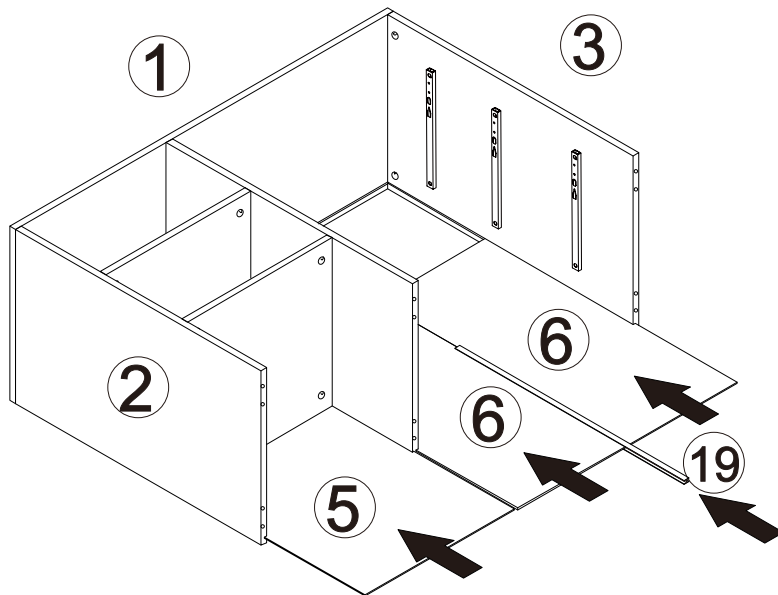


A x 6
C x 6

05

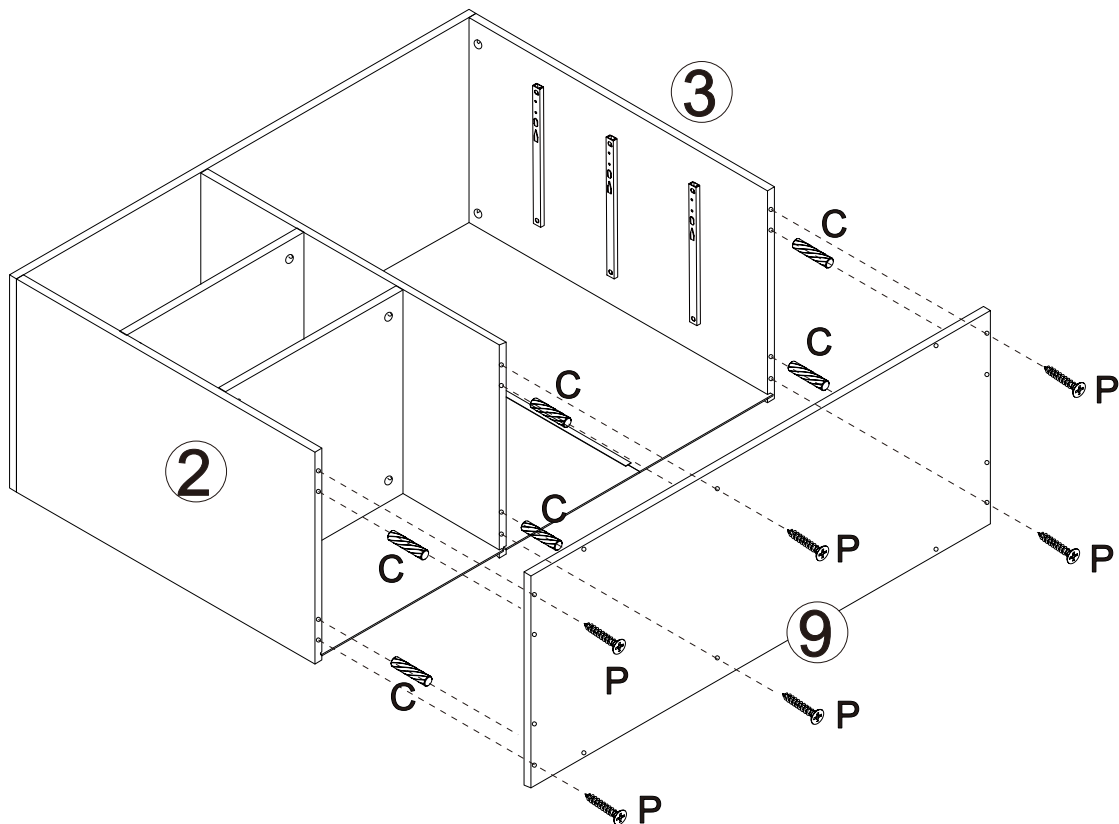


06



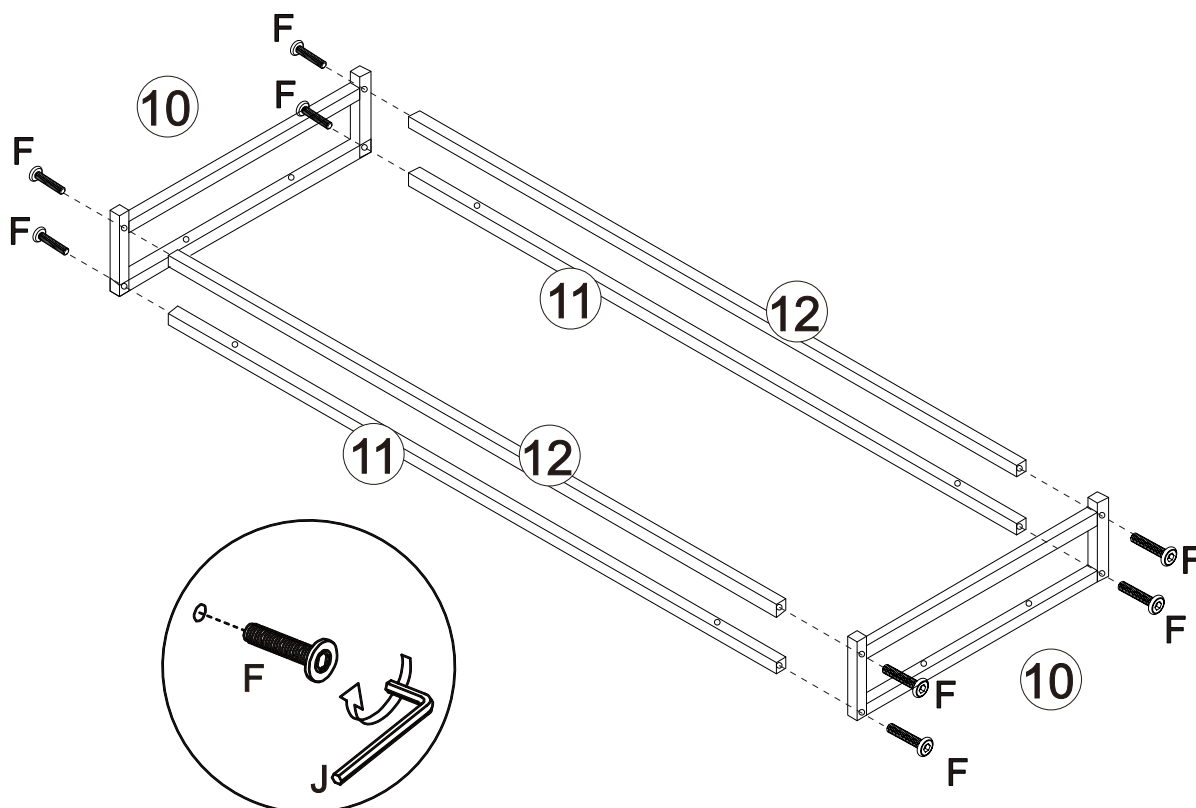
C x6
P x6

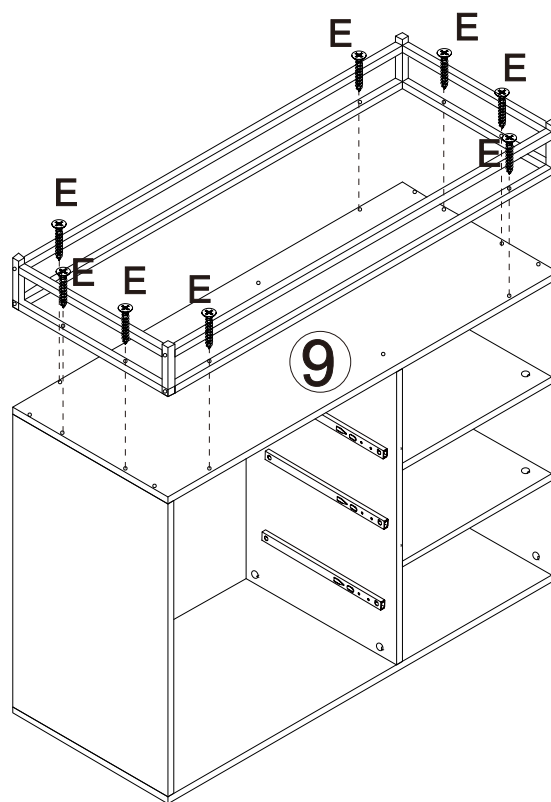
07



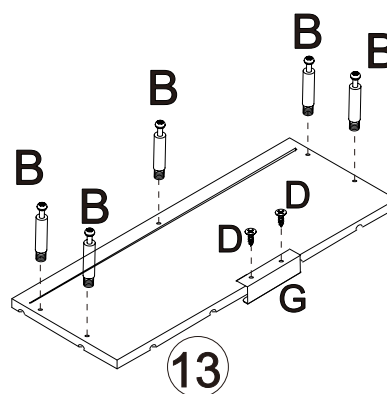
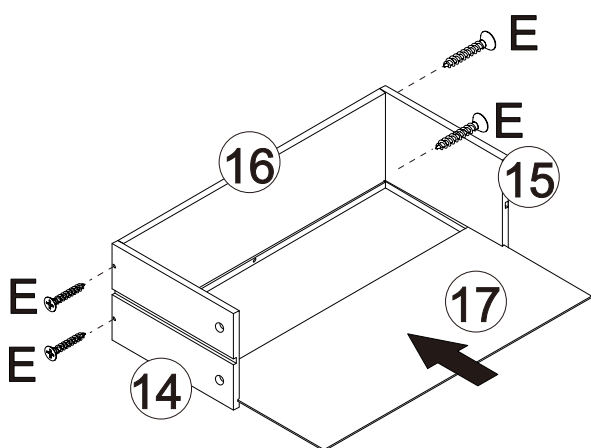
F x8
J x1

08





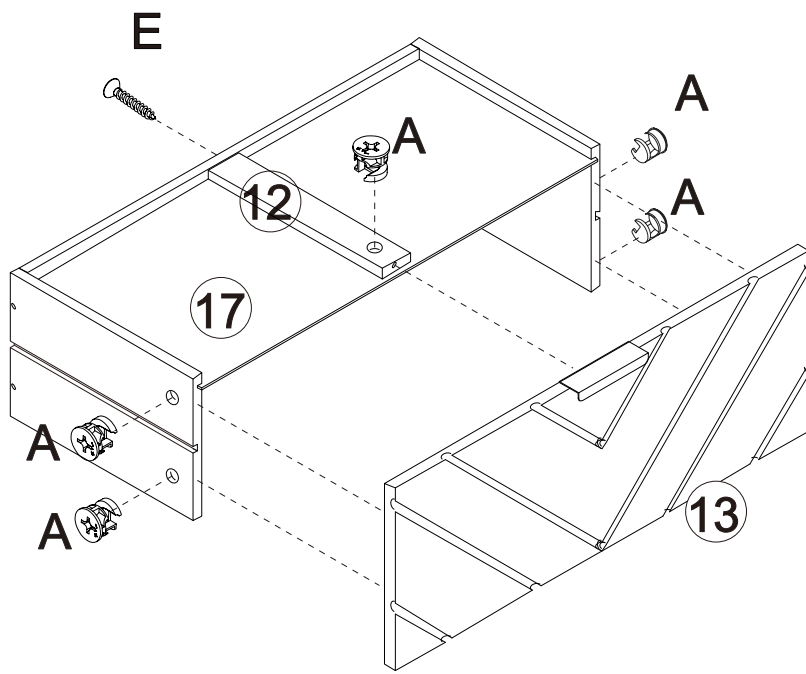
- B x15
- D x6
- E x12
- G x3



x3

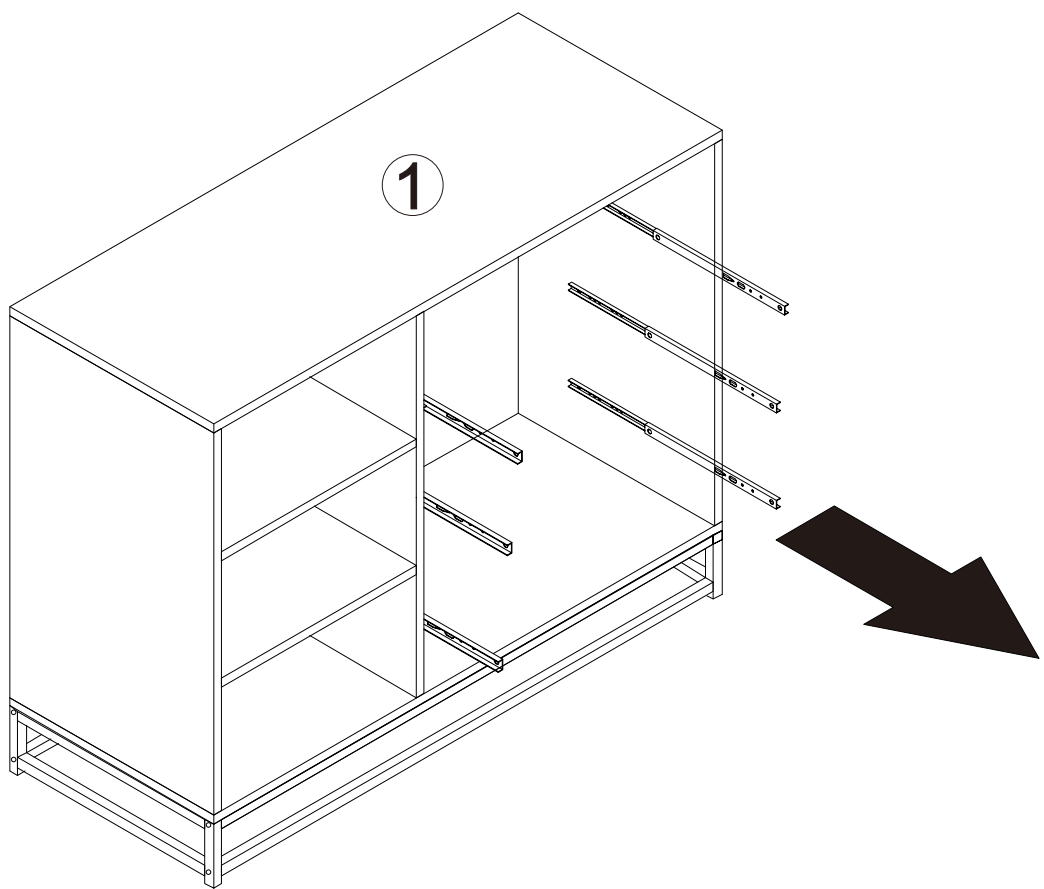
A X15
E X 3

11



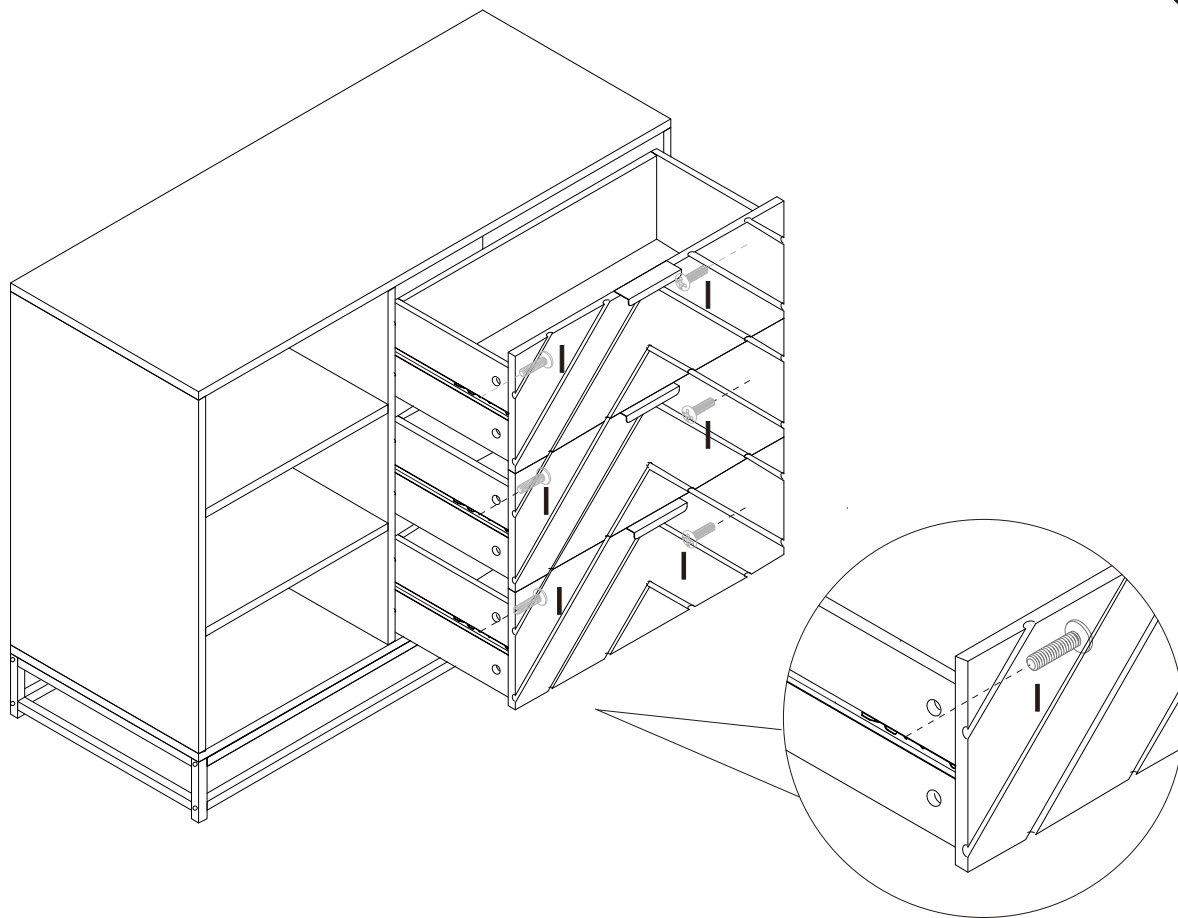
x3

12



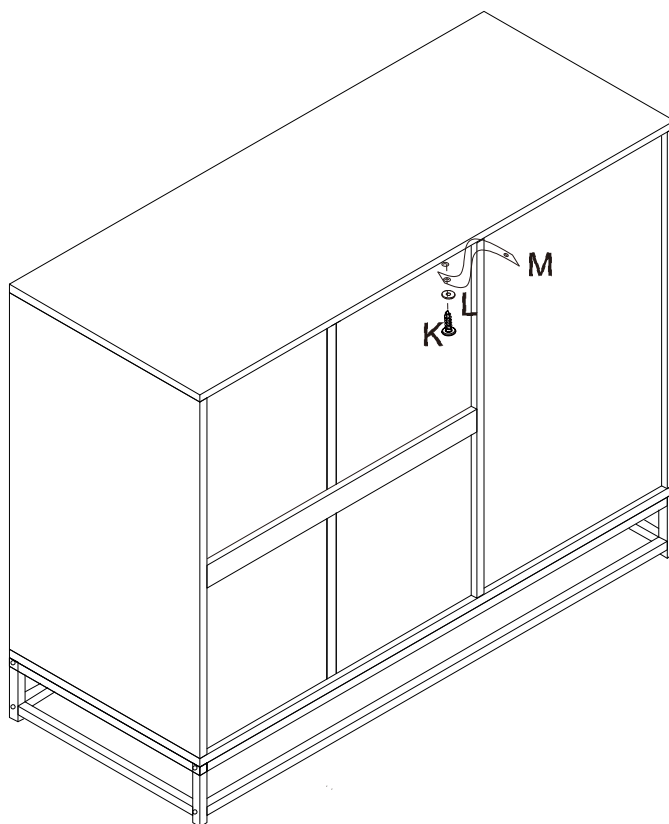
I x 6

13



K x 1
L x 1
M x 1

14



N	x1
L	x1
O	x1

