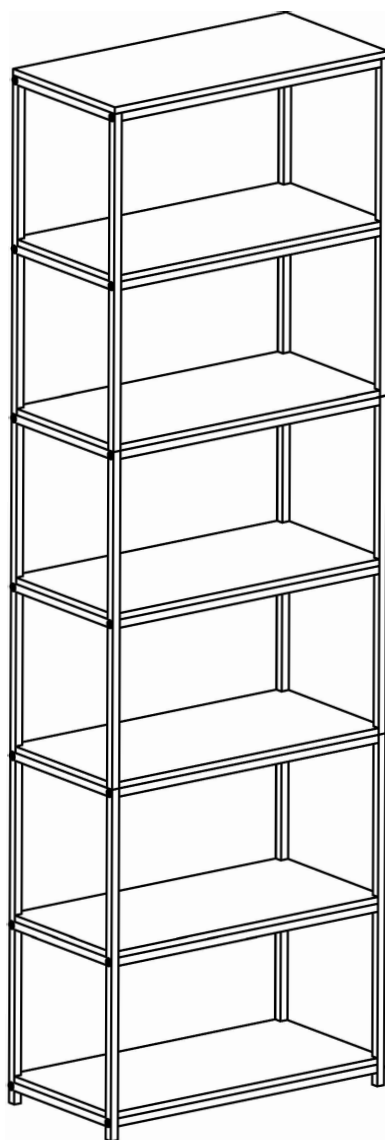




INcpb007\_GL

**838-049**

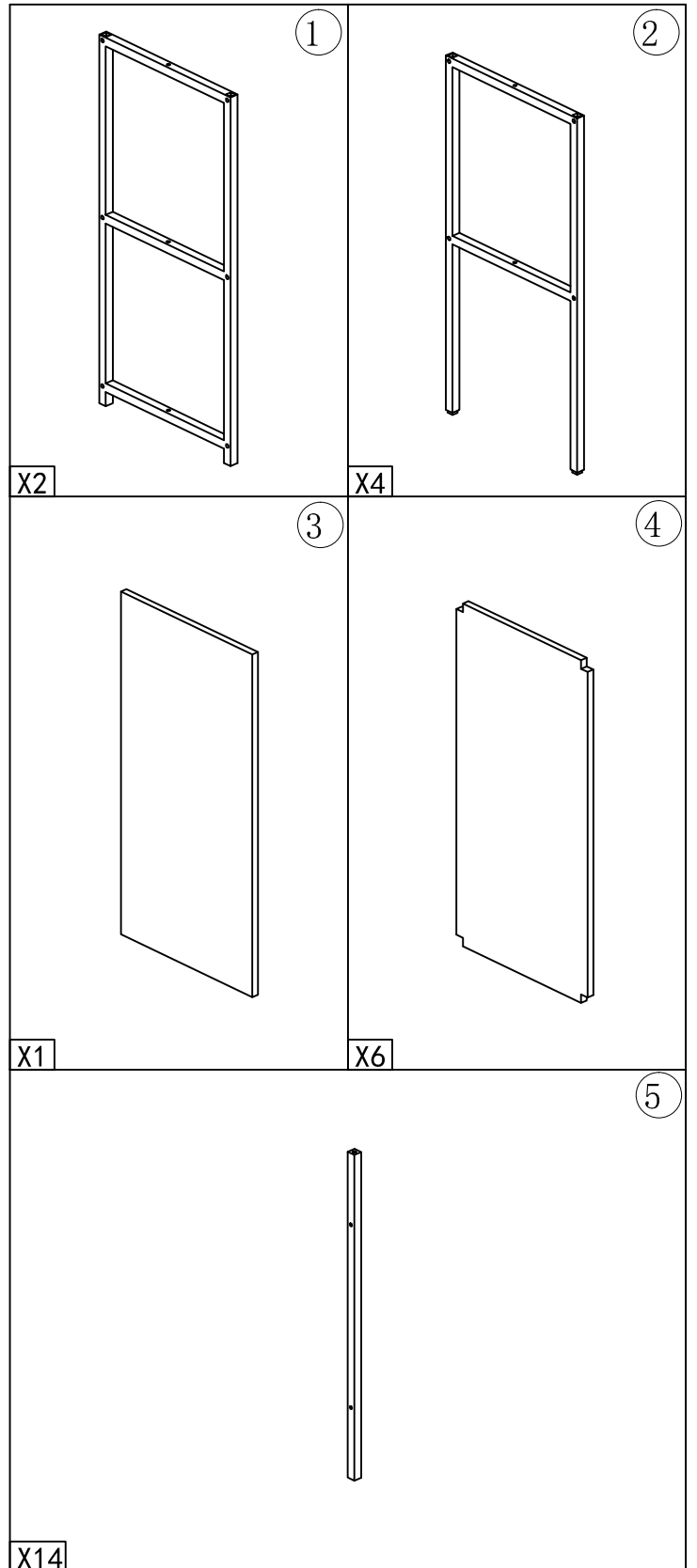
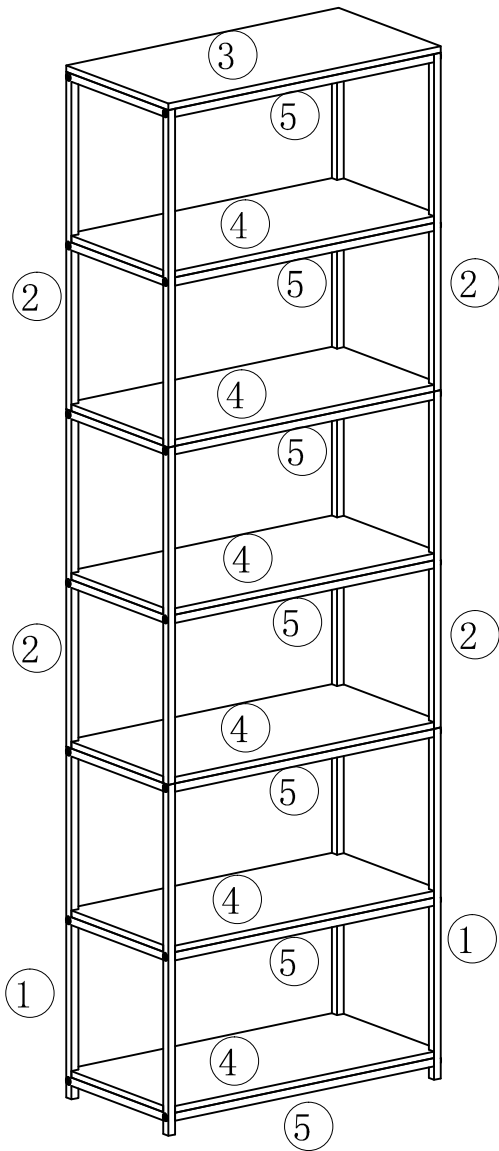



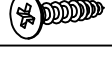

READ AND SAVE THESE INSTRUCTIONS FOR FUTURE USE

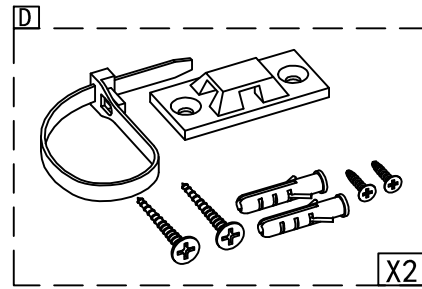
**OPERATING INSTRUCTIONS**



■ Part List



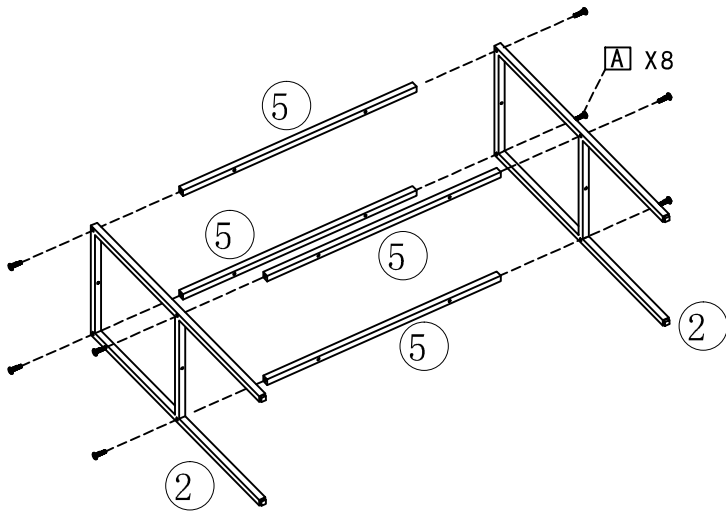
PART	QTY.	ITEM	
A	28	6X25MM	
B	42	5X25MM	
C	1	4MM	



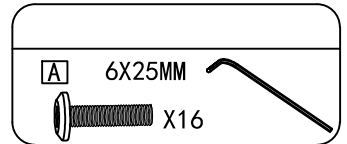
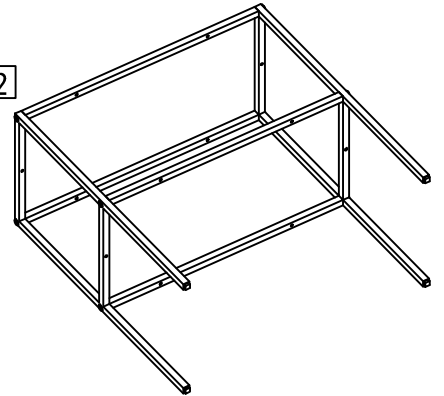


■ Assembly Instructions

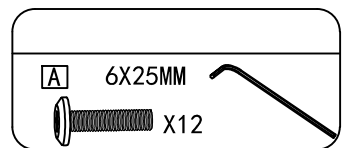
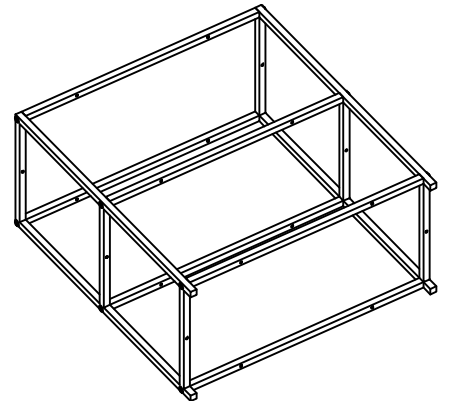
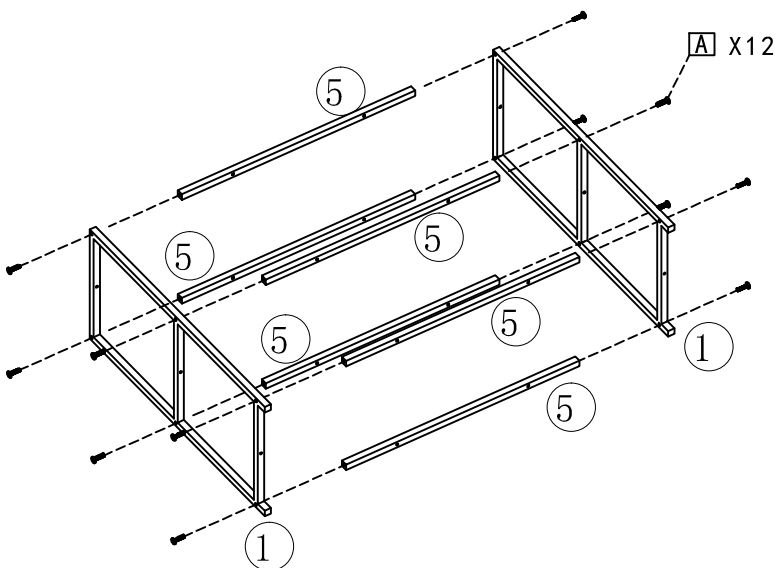
1



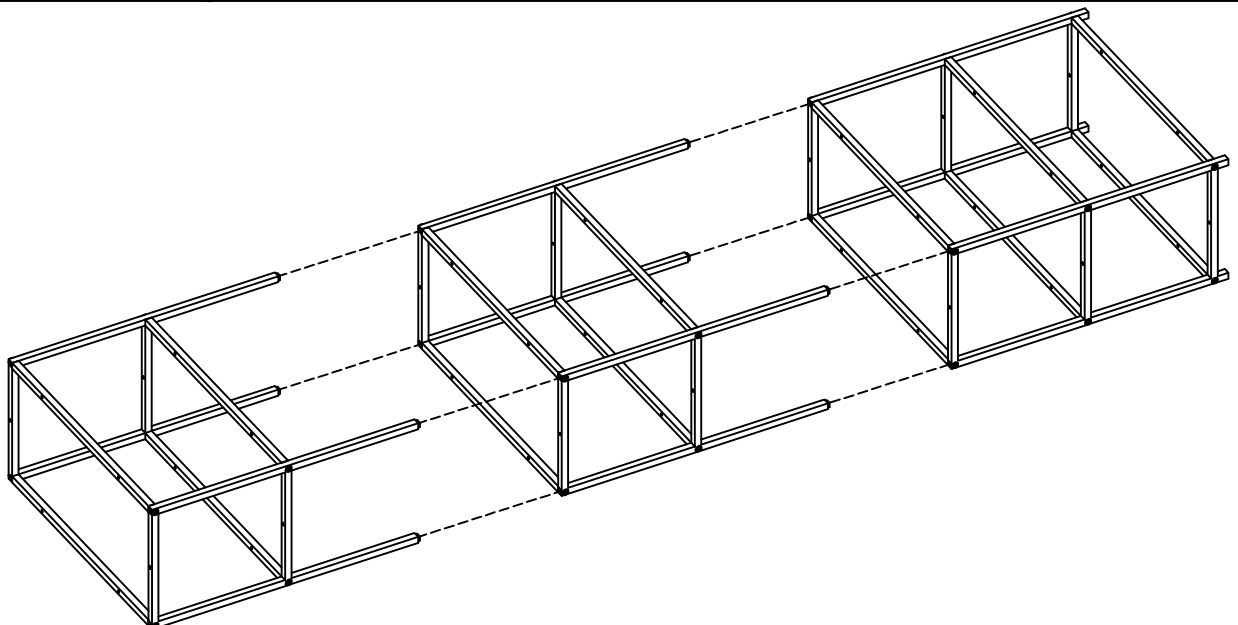
X2



2



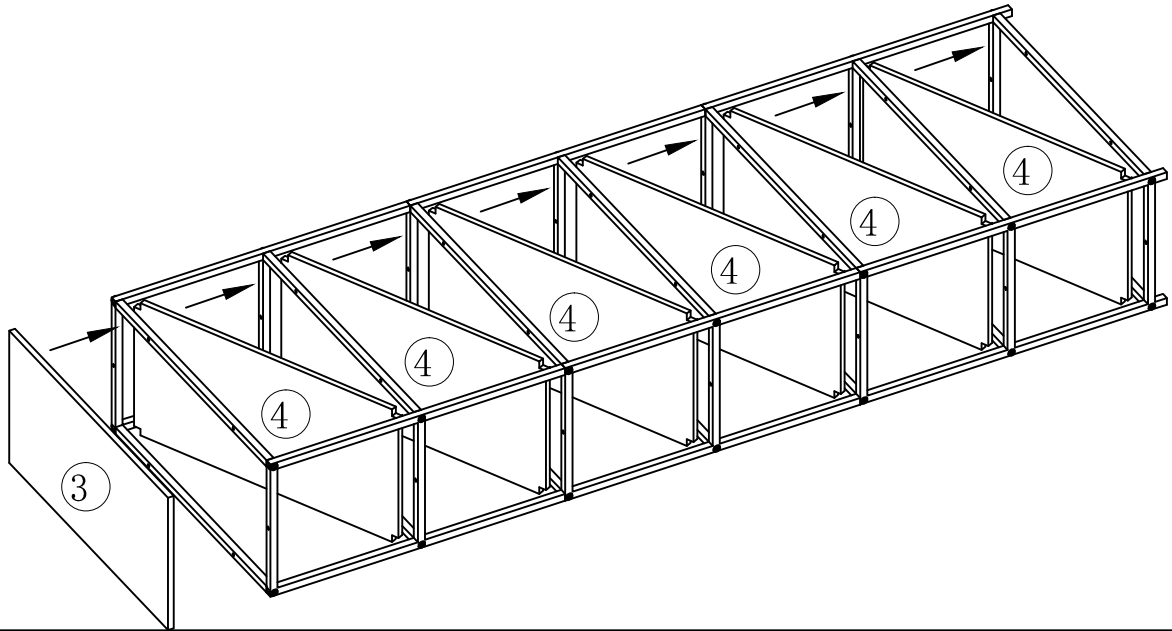
3



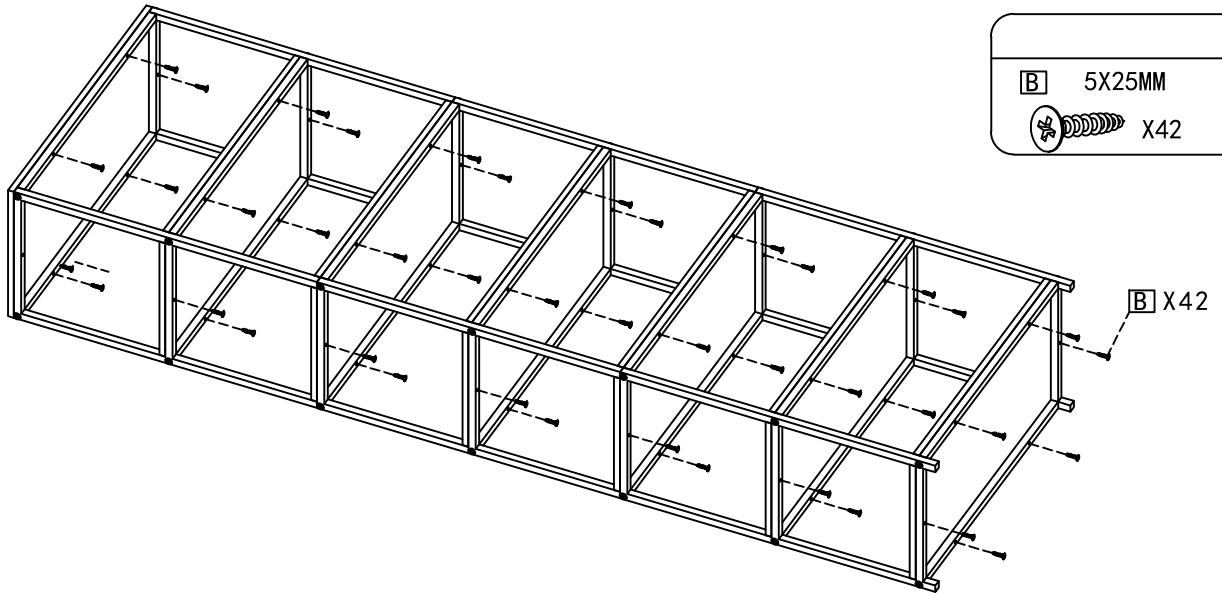


■ Assembly Instructions

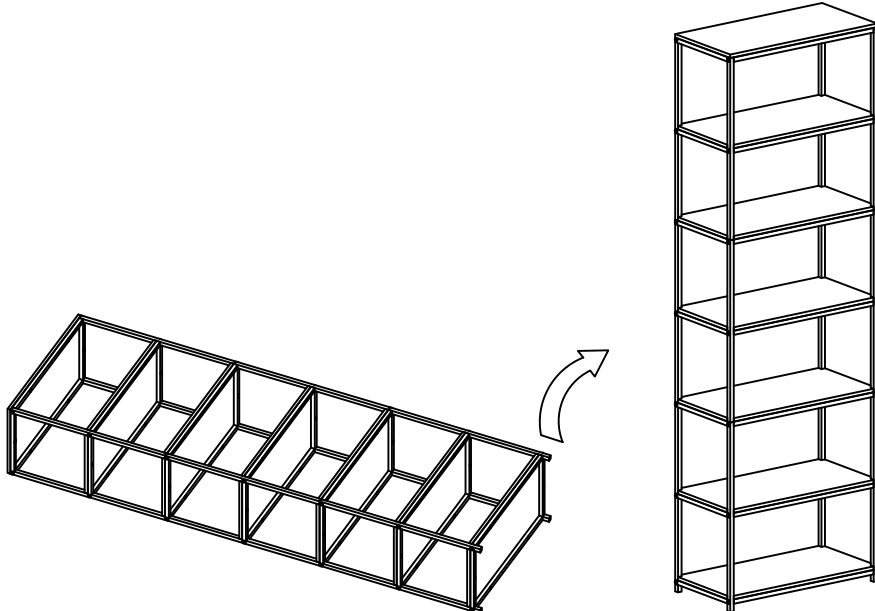
4



5



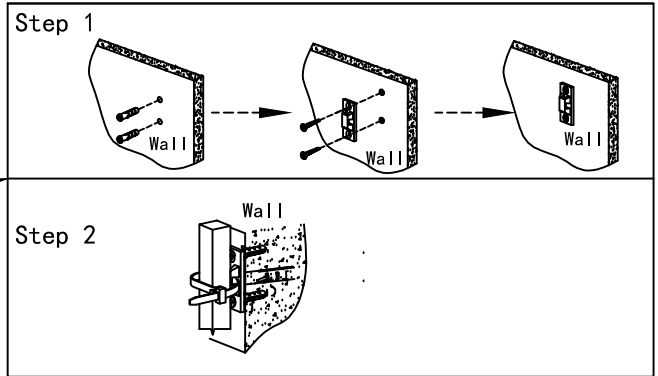
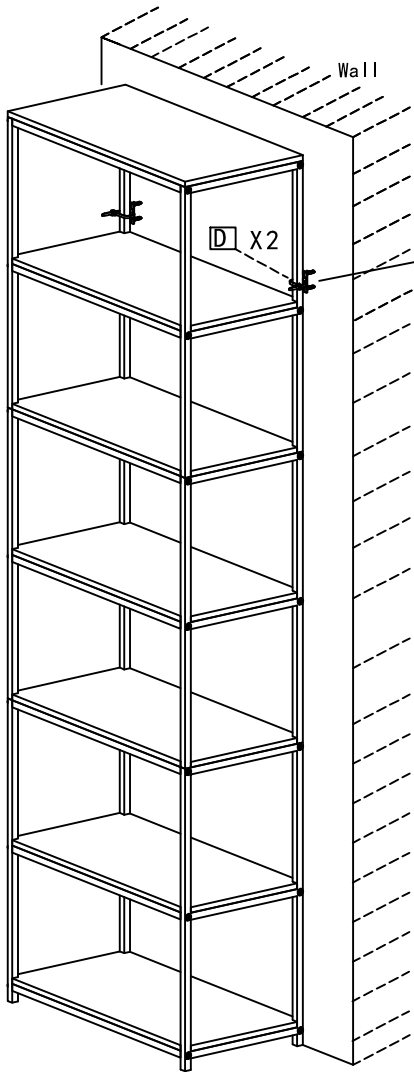
6





■ Assembly Instructions

7



US



001-877-644-9366  
customerservice@aosom.com

CA



001-855-537-6088  
customerservice@aosom.ca

UK



0044-800-240-4004  
enquiries@mhstar.co.uk

DE



0049-(0)40-88307530  
service@aosom.de

FR



0033-1-84166106  
contact@aosom.fr

ES



0034-931294512  
atencioncliente@aosom.es

IT



0039-0249471447  
clienti@aosom.it