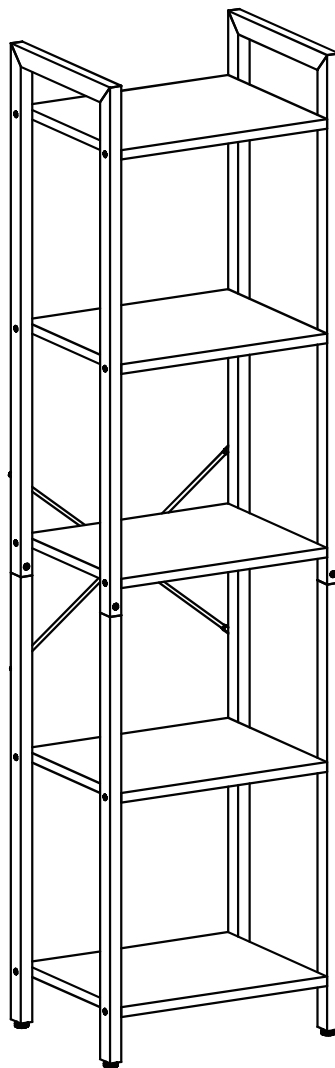




INcpb025_GL

838-162

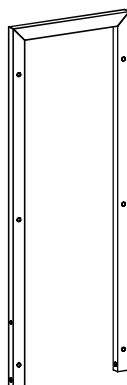


IMPORTANT, RETAIN FOR FUTURE REFERENCE: READ CAREFULLY

ASSEMBLY & INSTRUCTION MANUAL

PARTS

1 x02



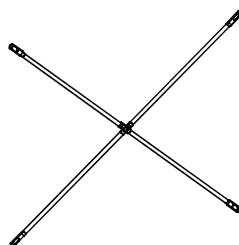
2 x02



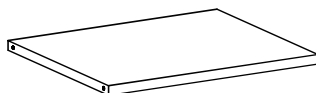
3 x02



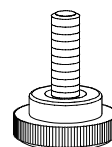
4 x01



5 x05

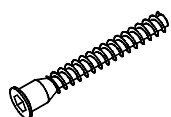


6 x04



HARDWARE

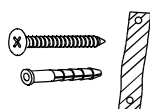
A x20
ST 7*50
+1(spare)



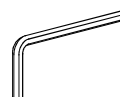
B x12
M6*12
+1(spare)



TR x02



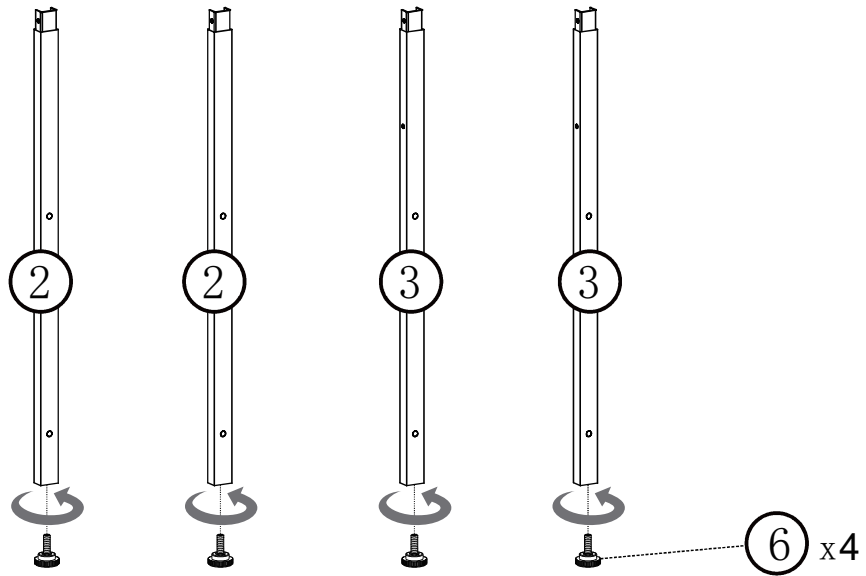
D x01



② x02

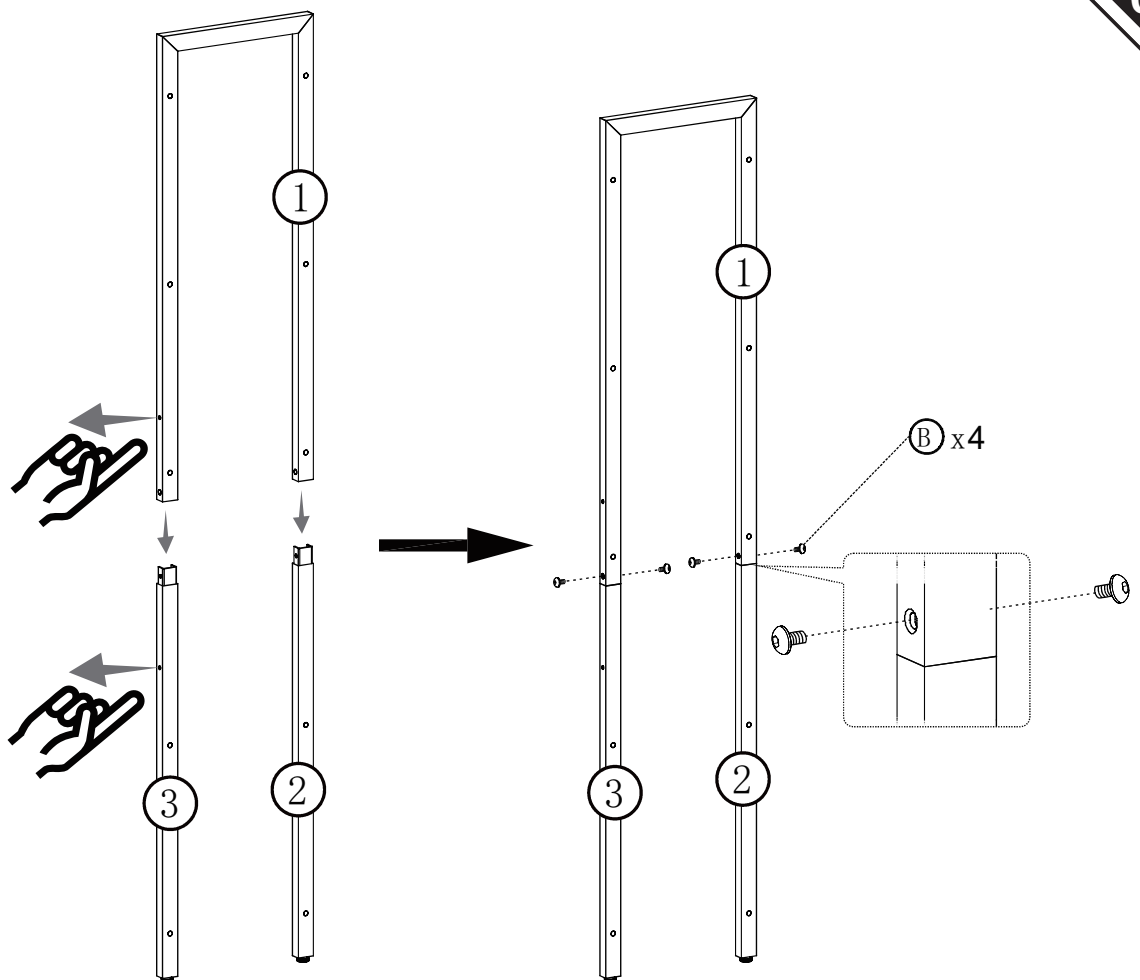
③ x02

⑥ x04



① x01

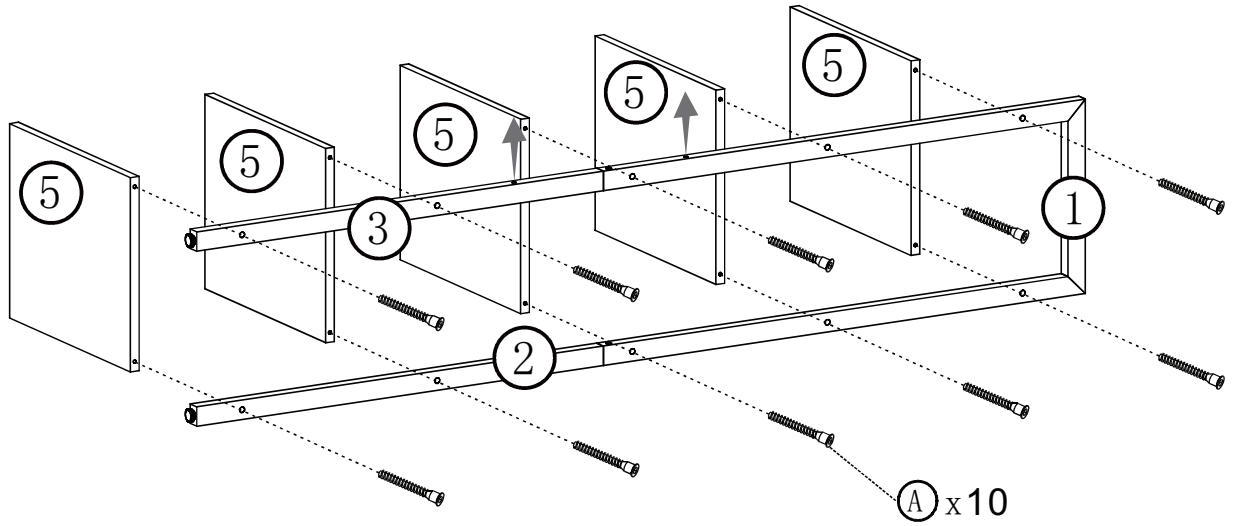
B x04



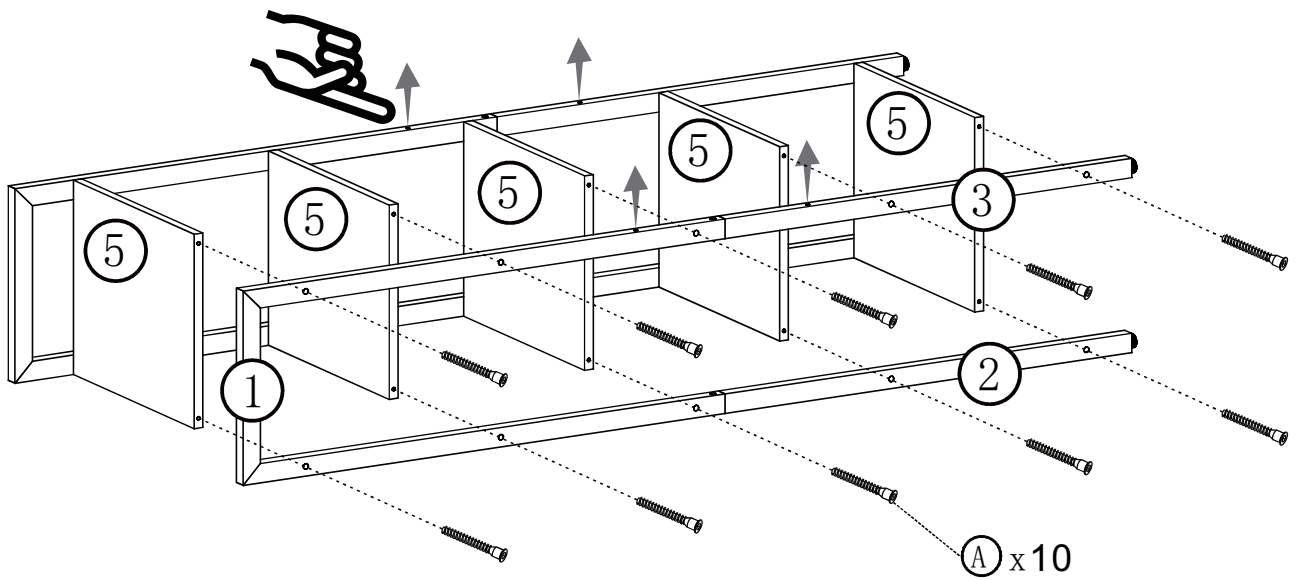
x2

5 x05

A x10



A x10



④ x01

Ⓑ x04

