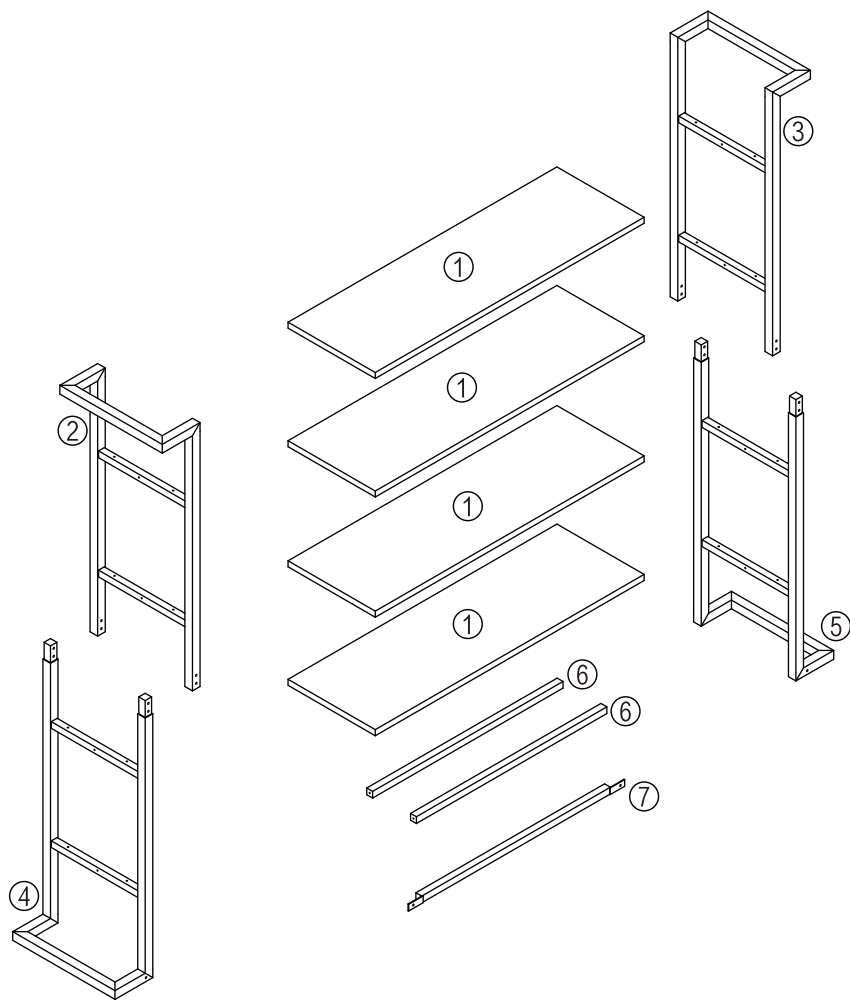


IMPORTANT, RETAIN FOR FUTURE REFERENCE: READ CAREFULLY

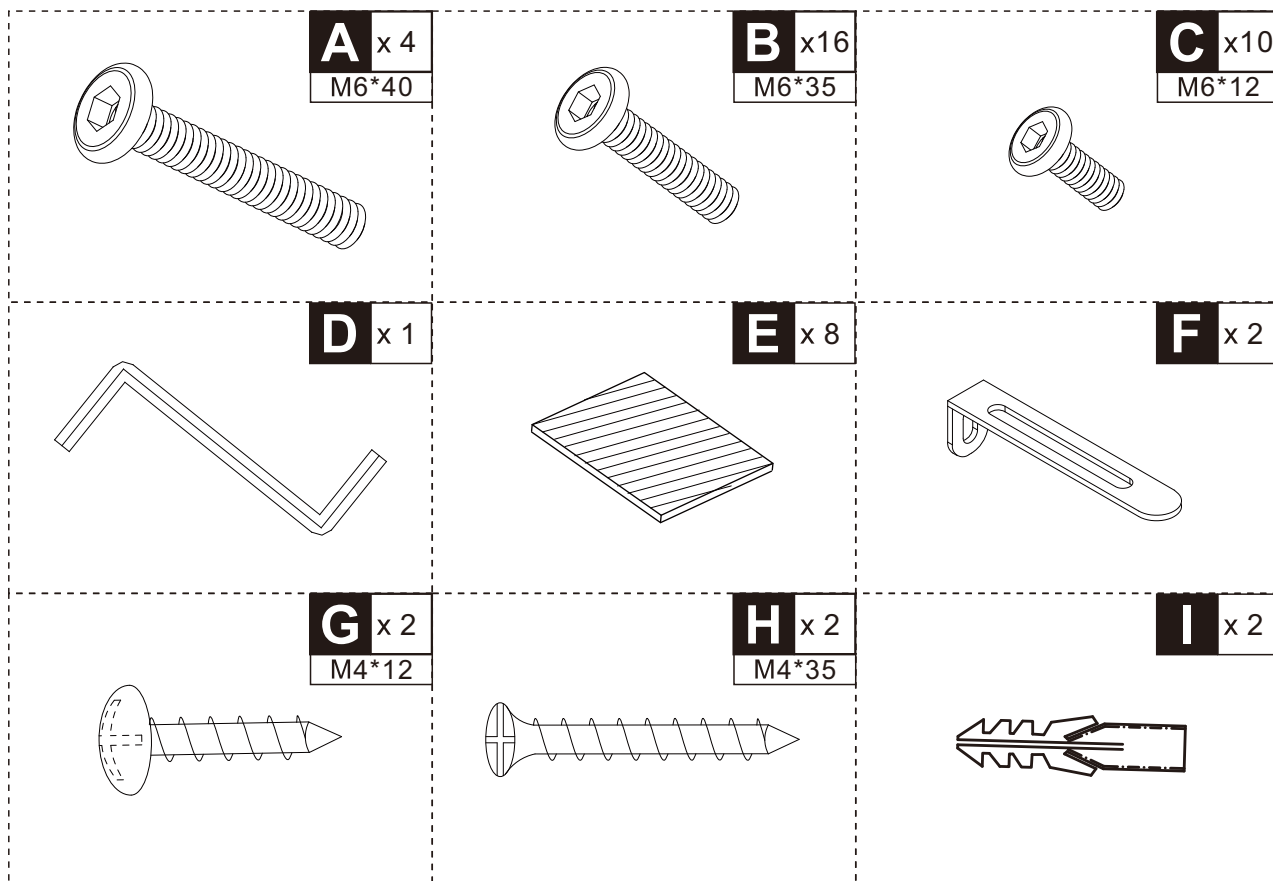
Tools Recommended

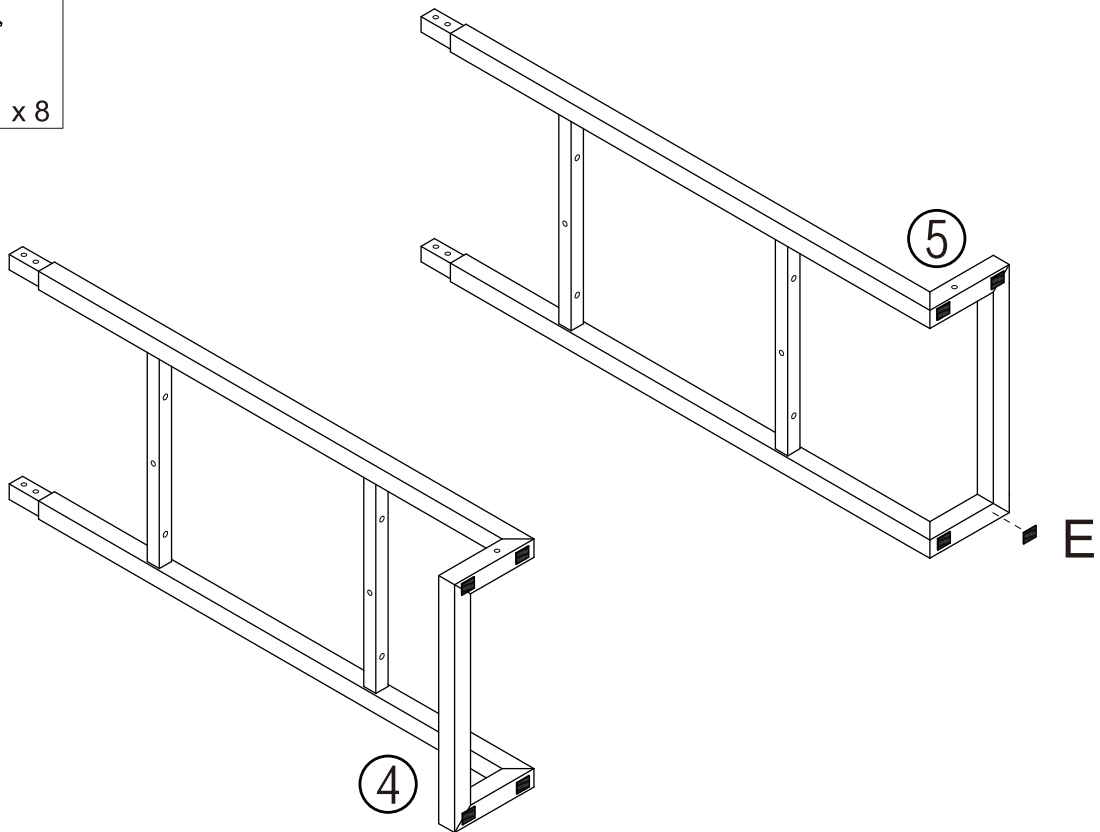
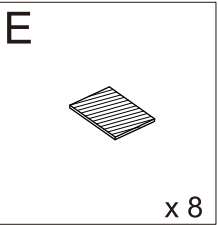
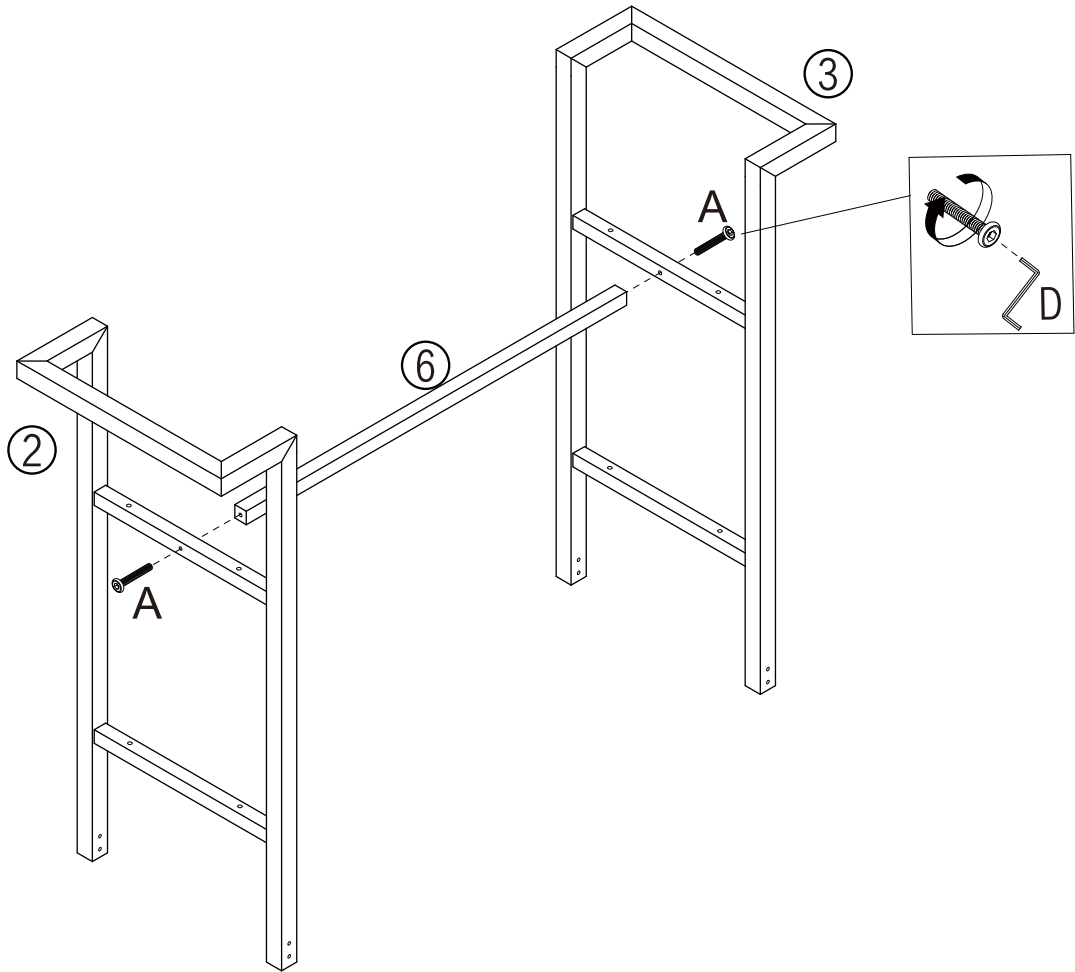
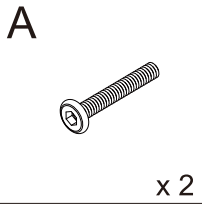
ASSEMBLY & INSTRUCTION MANUAL

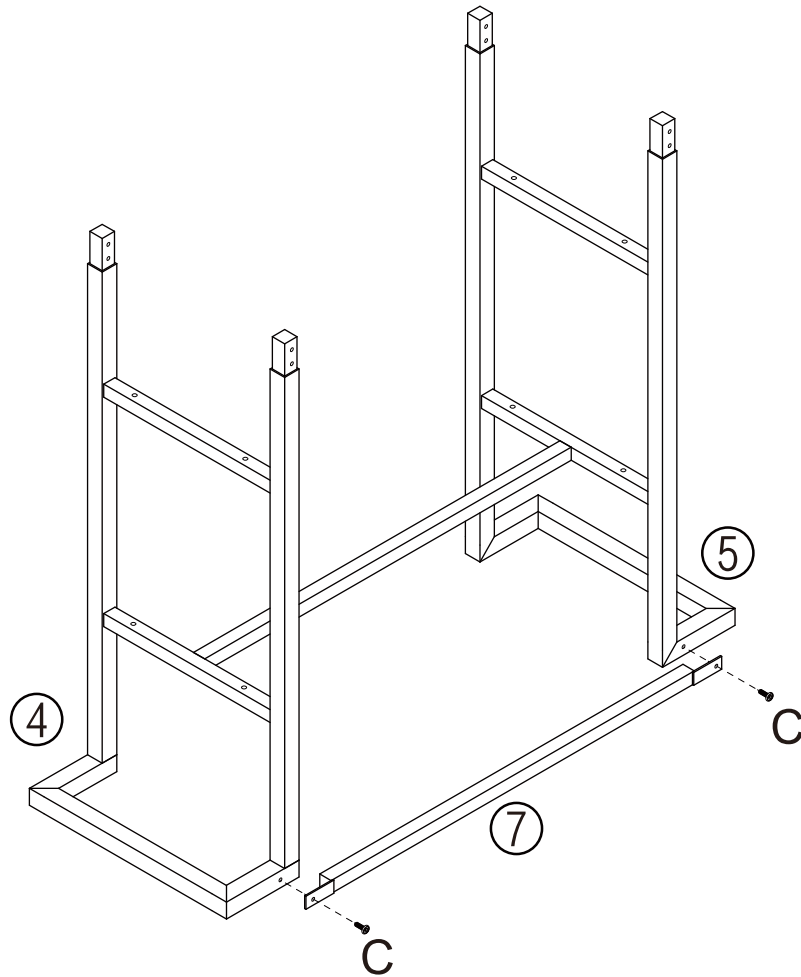
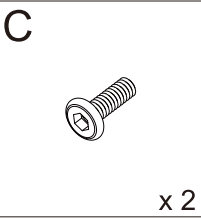
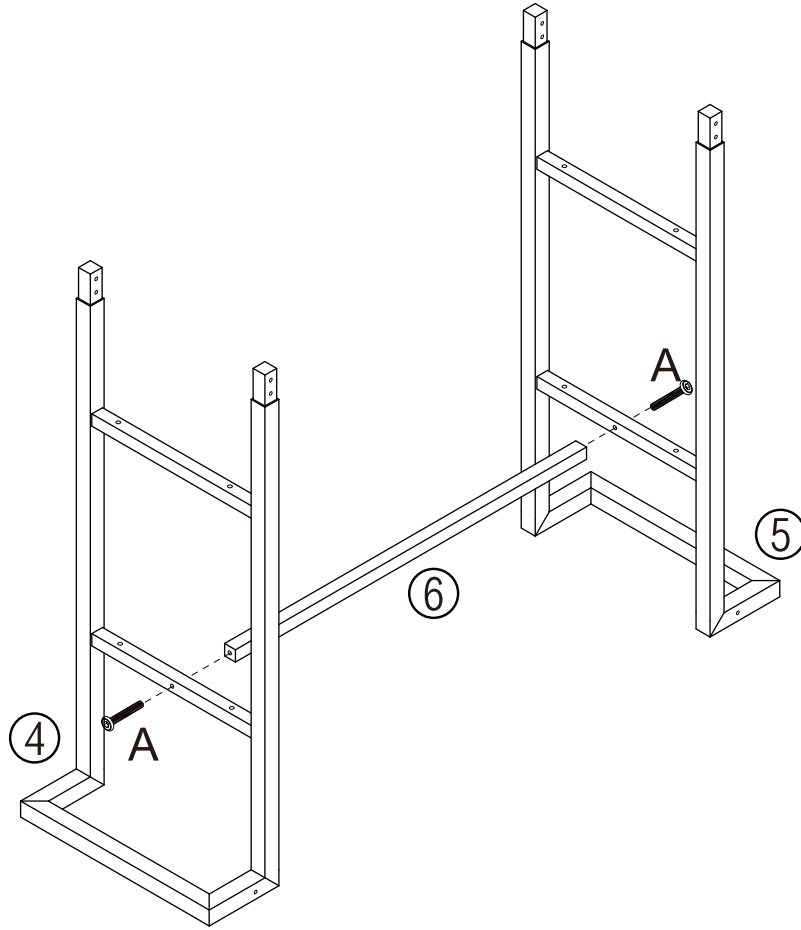
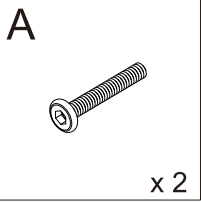
PARTS



HARDWARE



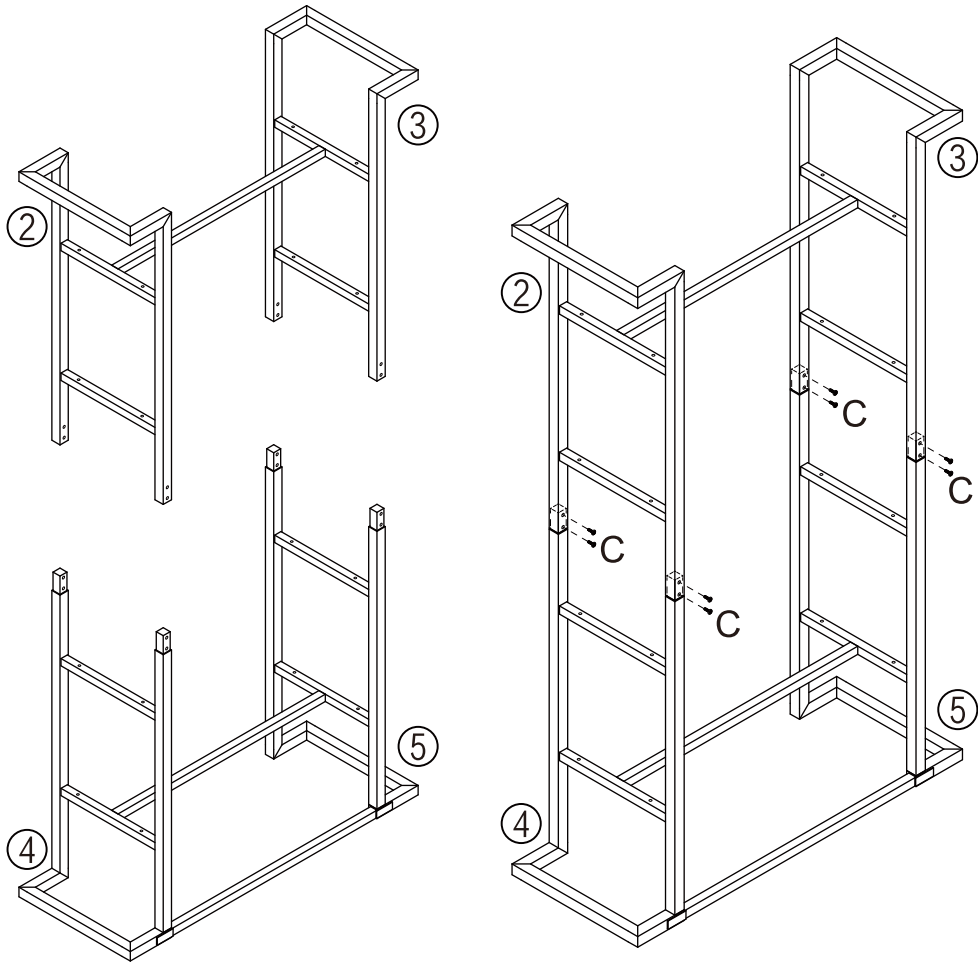




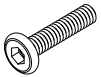
C



x 8



B



x 16

