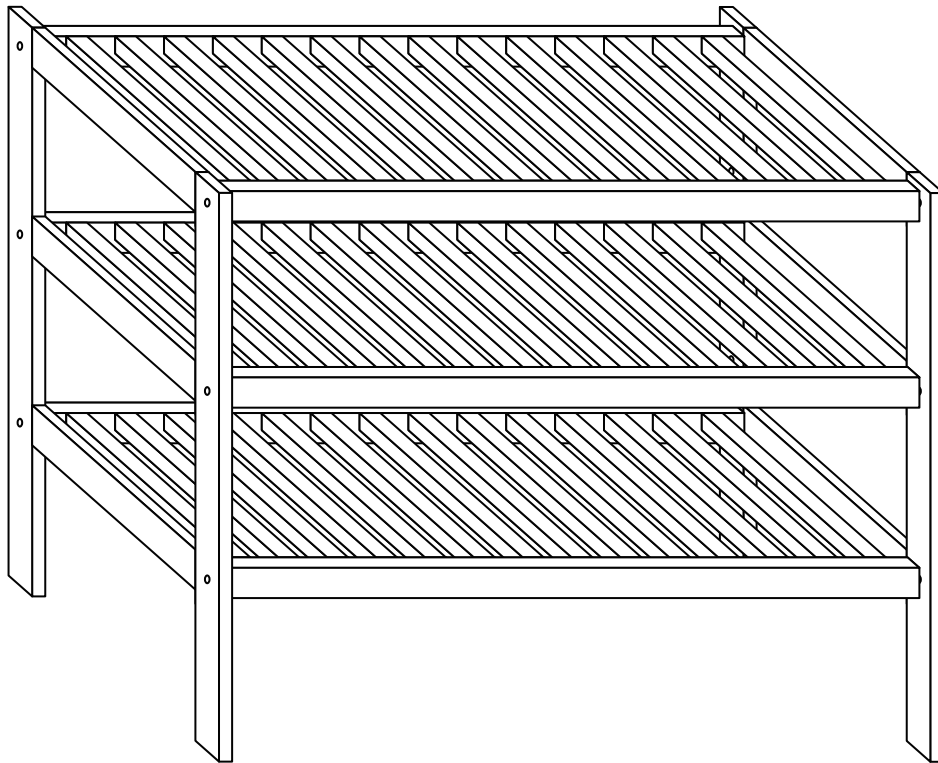




INcpb032V01_GL

838-204

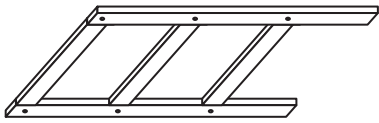


IMPORTANT, RETAIN FOR FUTURE REFERENCE: READ CAREFULLY

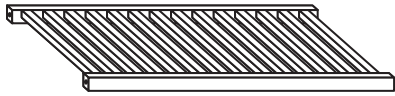
ASSEMBLY INSTRUCTION

PARTS

① x 2



② x 3

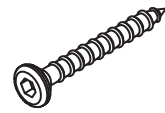


HARDWARE

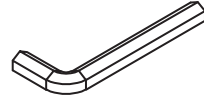
A x 12

+1 (spare)

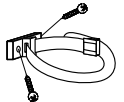
M5x30mm



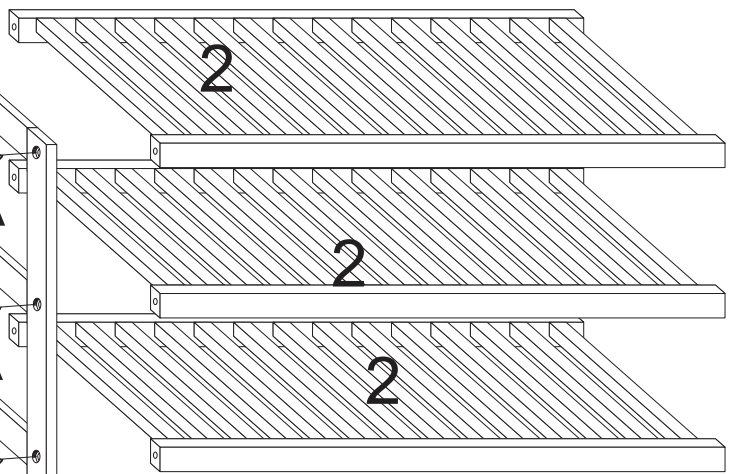
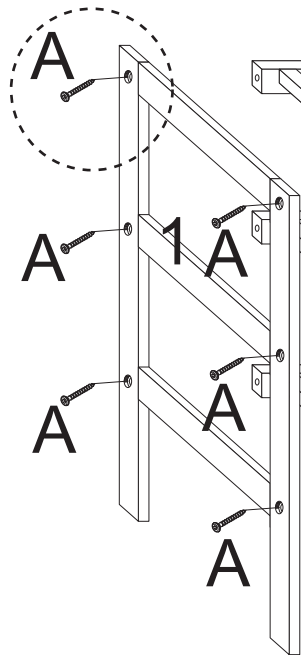
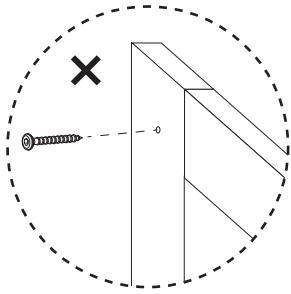
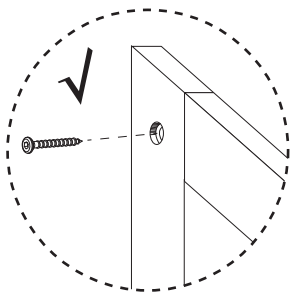
B x 1



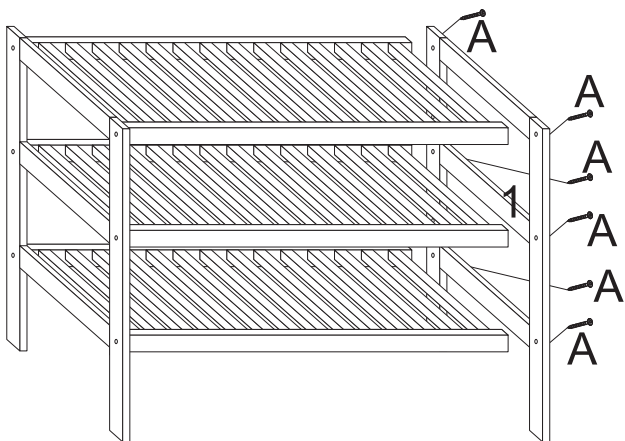
f x 1



01



02



Done

