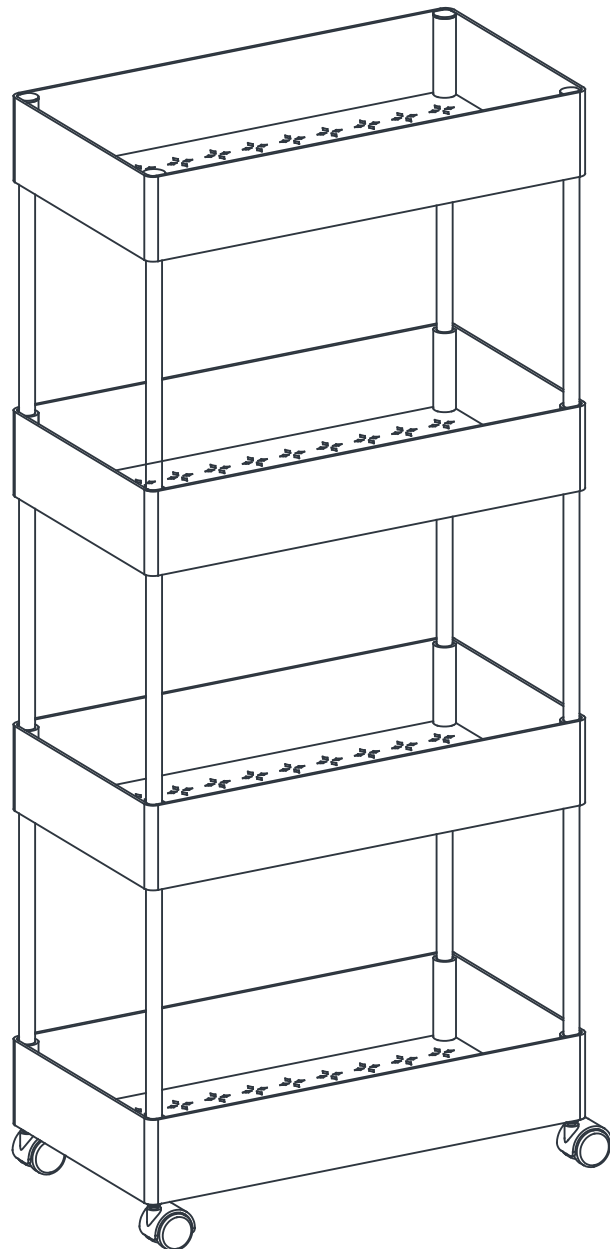




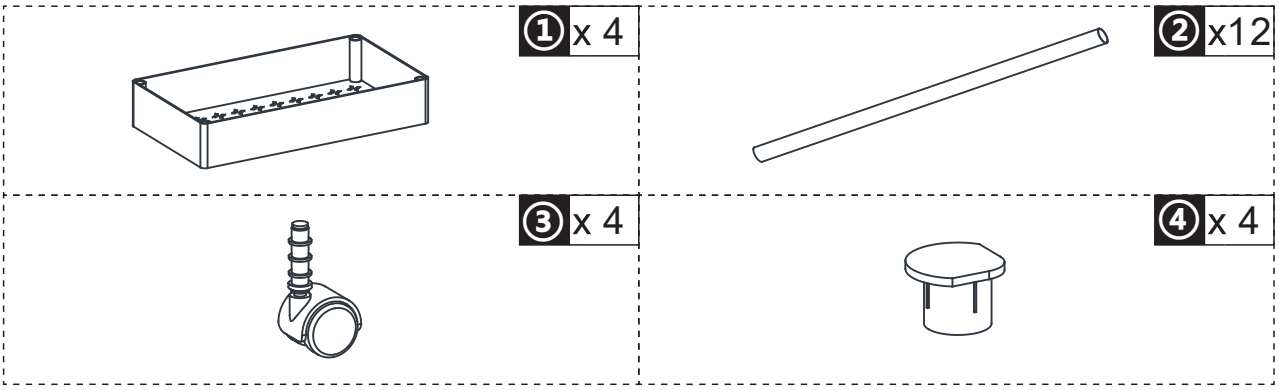
INcpc019_US_CA_UK_ES_DE_IT

850-166



IMPORTANT, RETAIN FOR FUTURE REFERENCE: READ CAREFULLY

ASSEMBLY & INSTRUCTION MANUAL



EXPLOSION FIGURE

