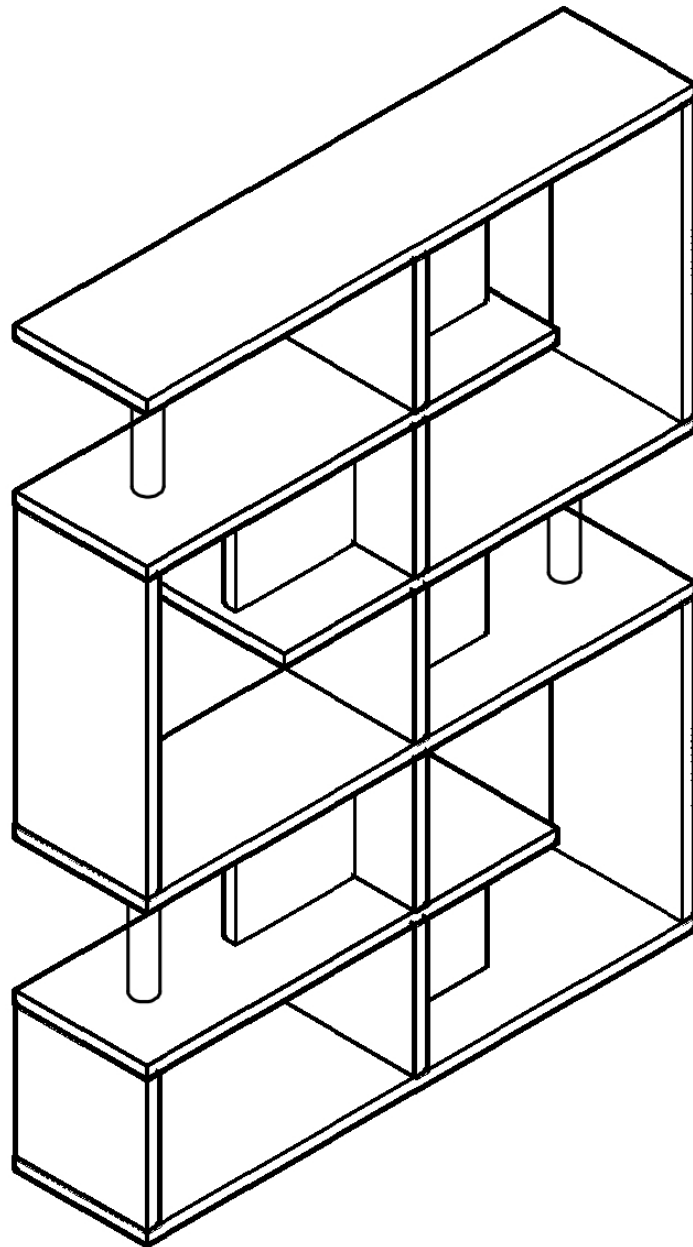




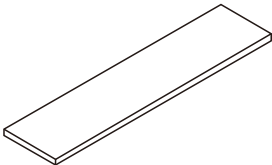
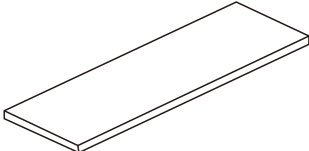
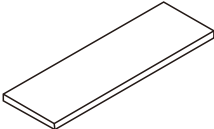
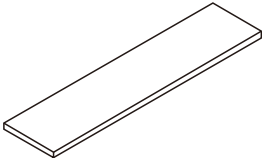
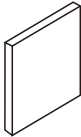
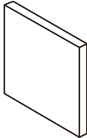
INcqa030V01_GL


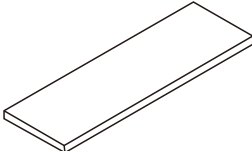
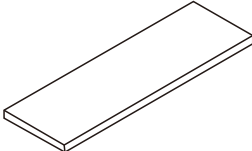
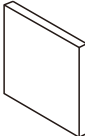
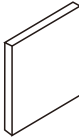
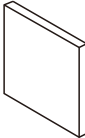

833-554

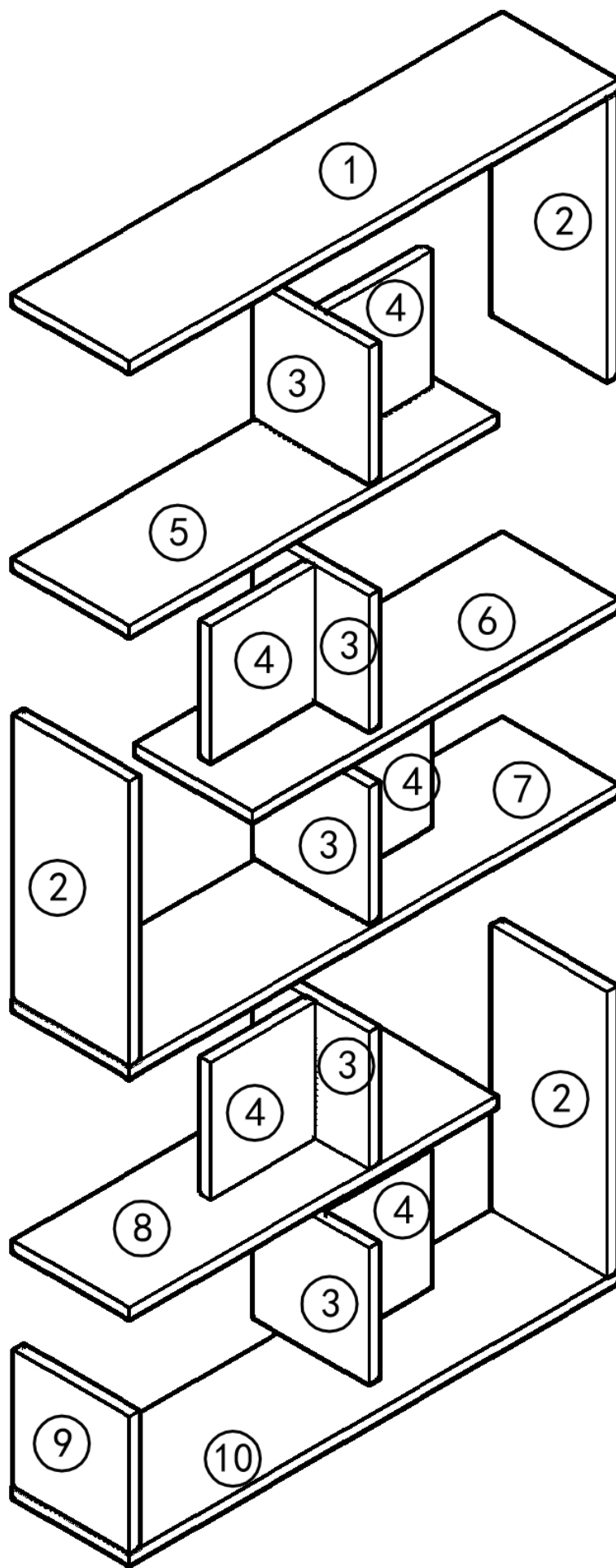


IMPORTANT, RETAIN FOR FUTURE REFERENCE: READ CAREFULLY

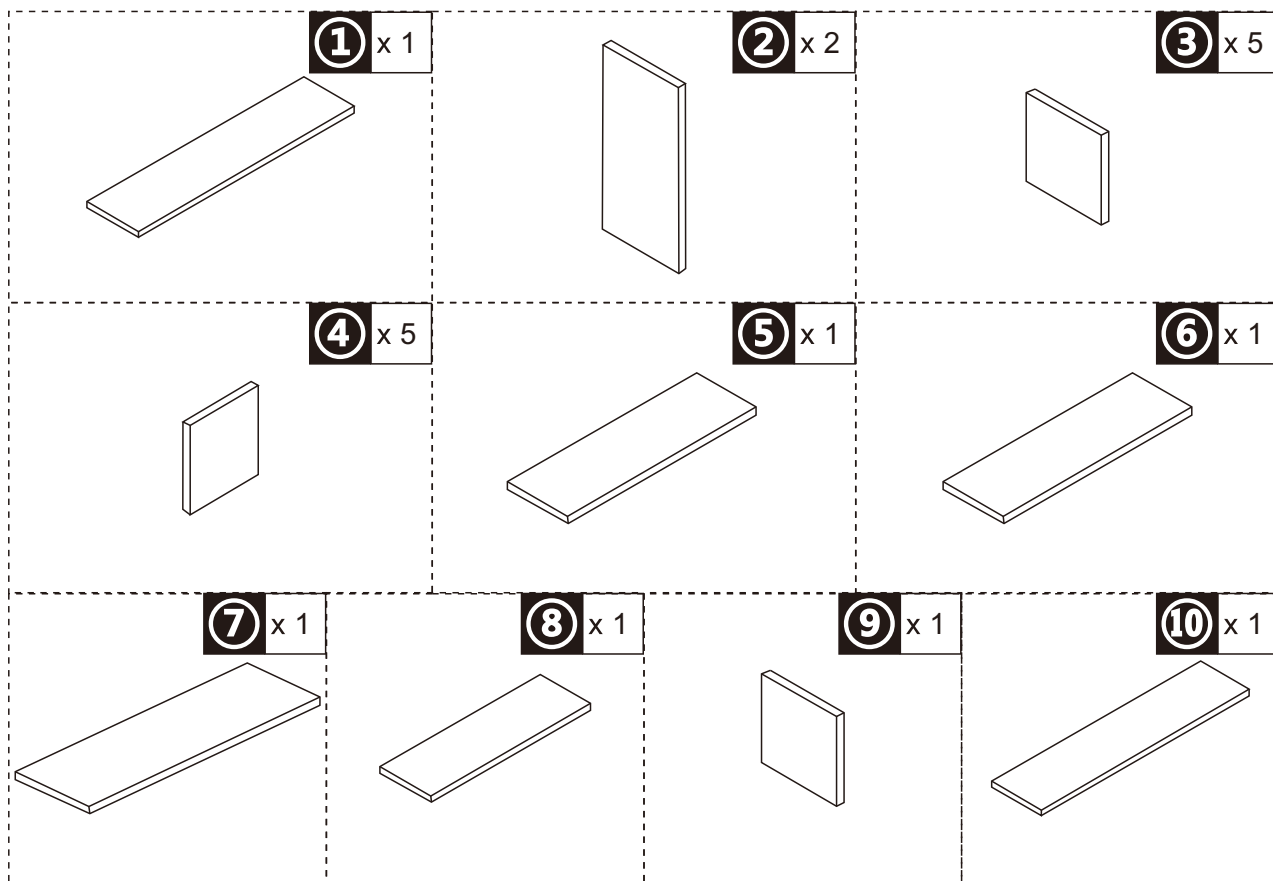
ASSEMBLY & INSTRUCTION MANUAL

BOX 1-2		1 x 1
		7 x 1
		8 x 1
		10 x 1
		4 x 1
		3 x 3

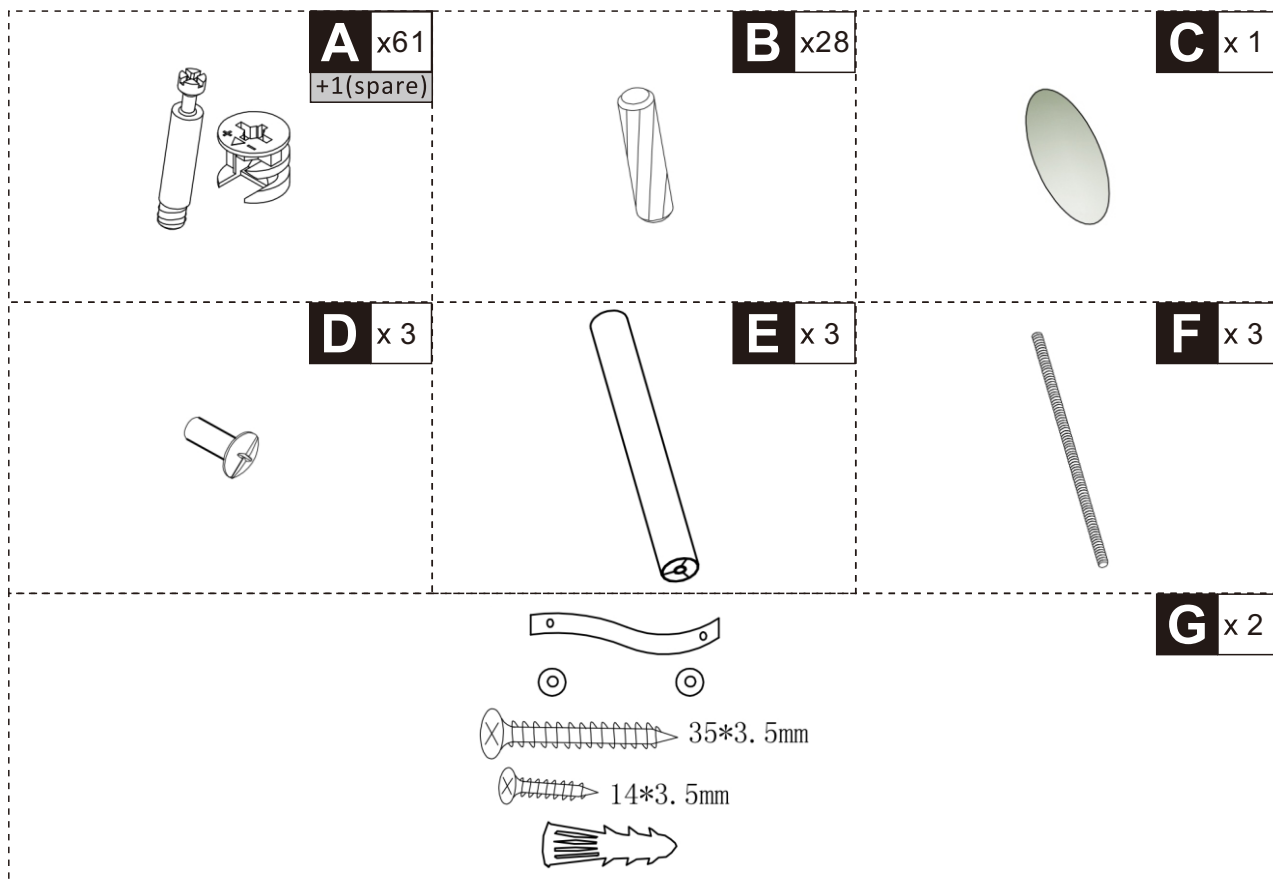
BOX 2-2		2 x 2
		5 x 1
		6 x 1
		9 x 1
		4 x 4
		3 x 2
 Hardware Kit		



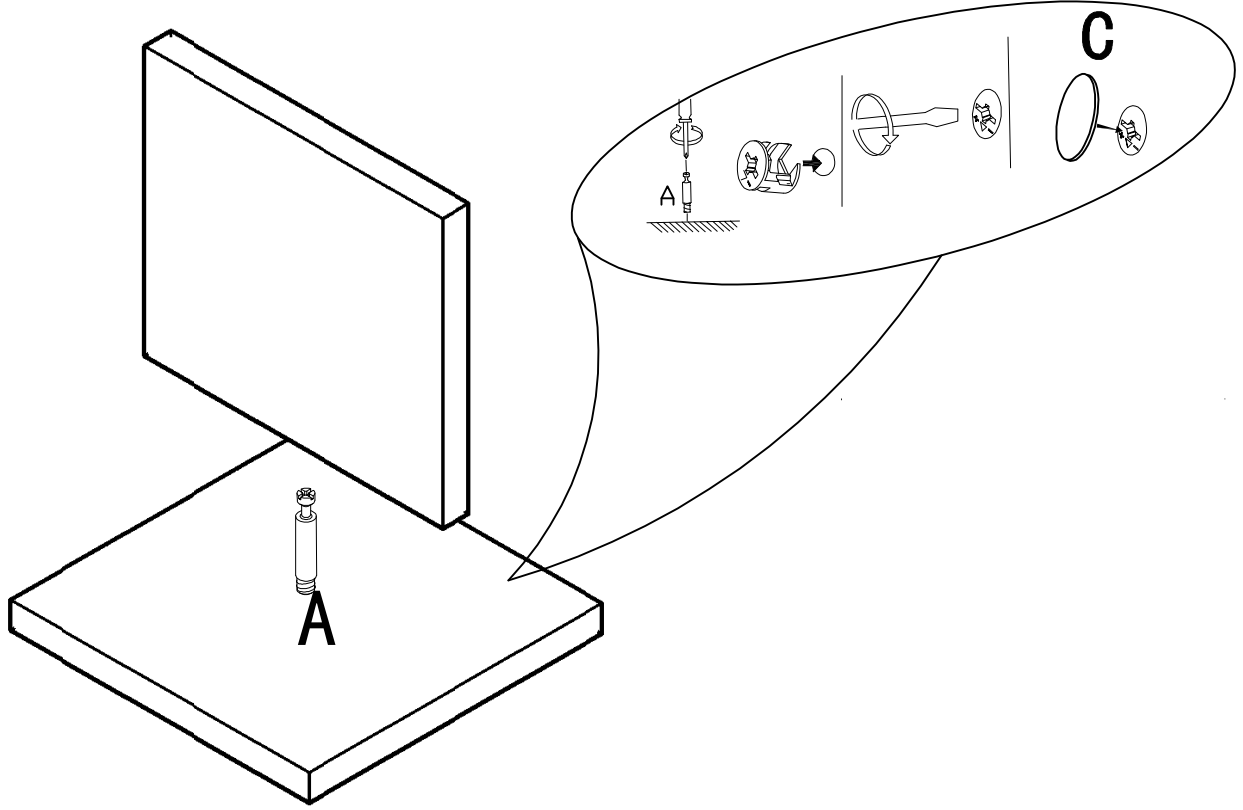
PARTS



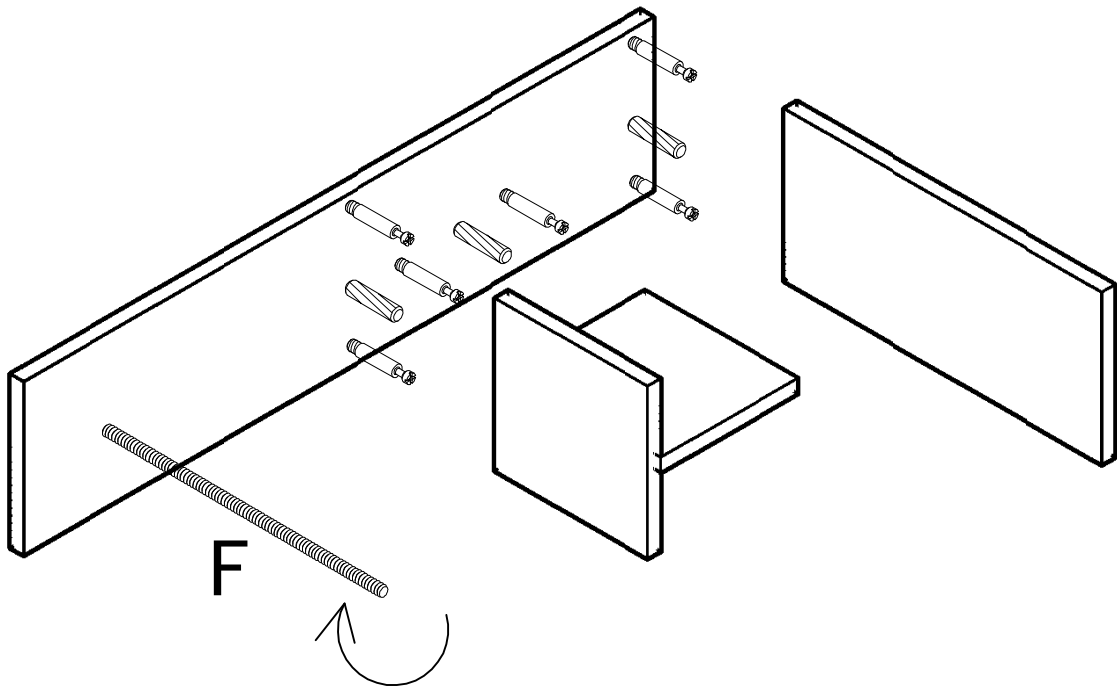
HARDWARE



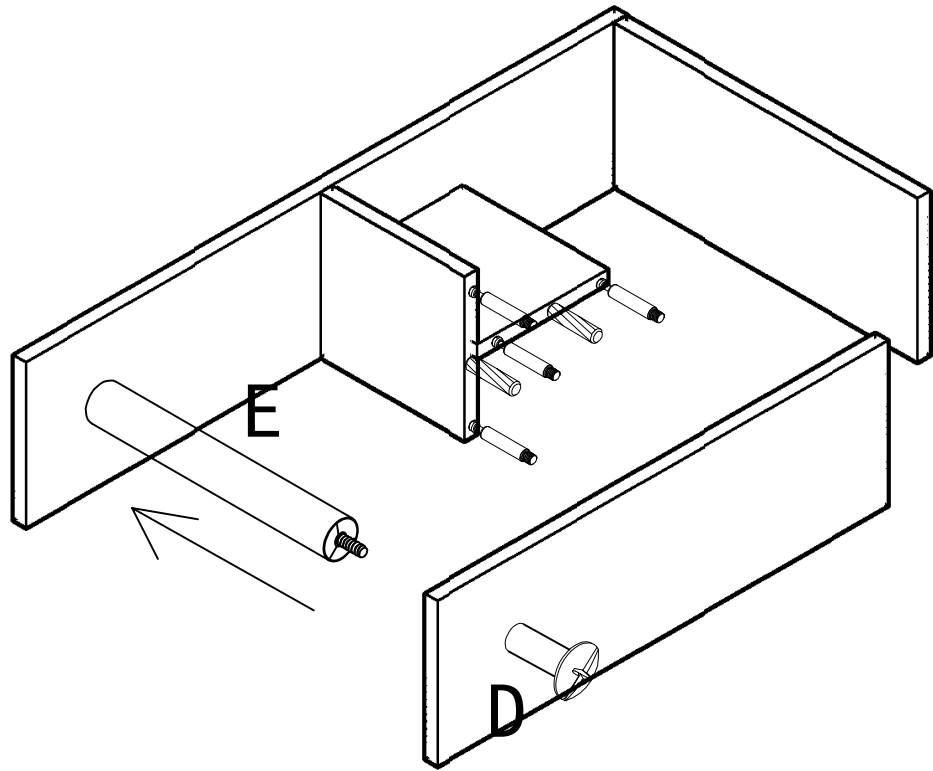
A*1 C*1



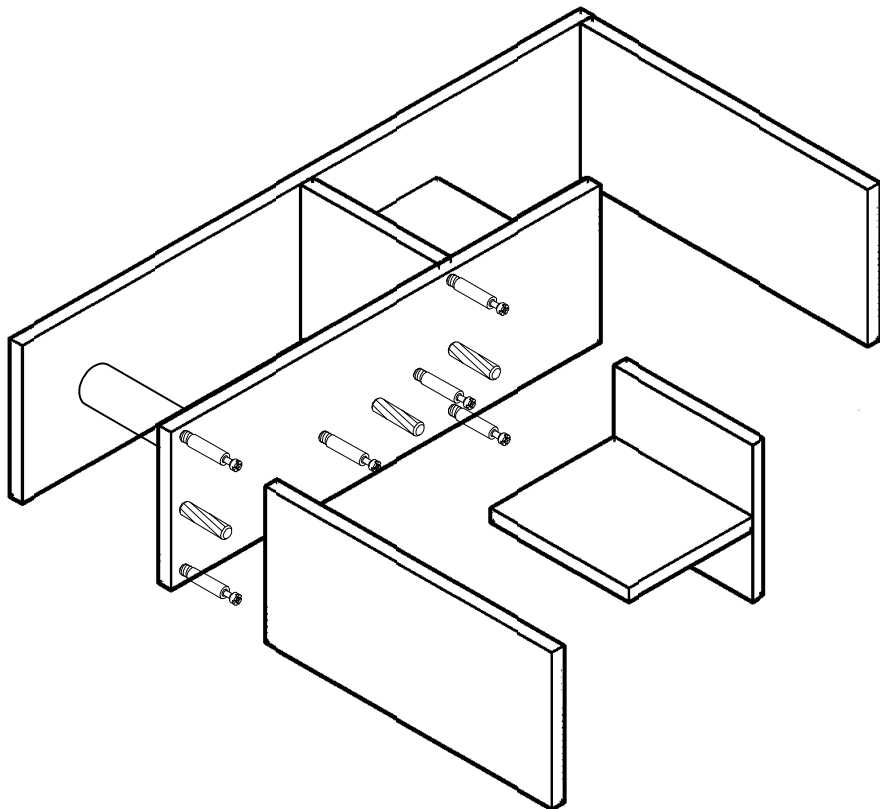
A*6 B*3 C*6 F*1



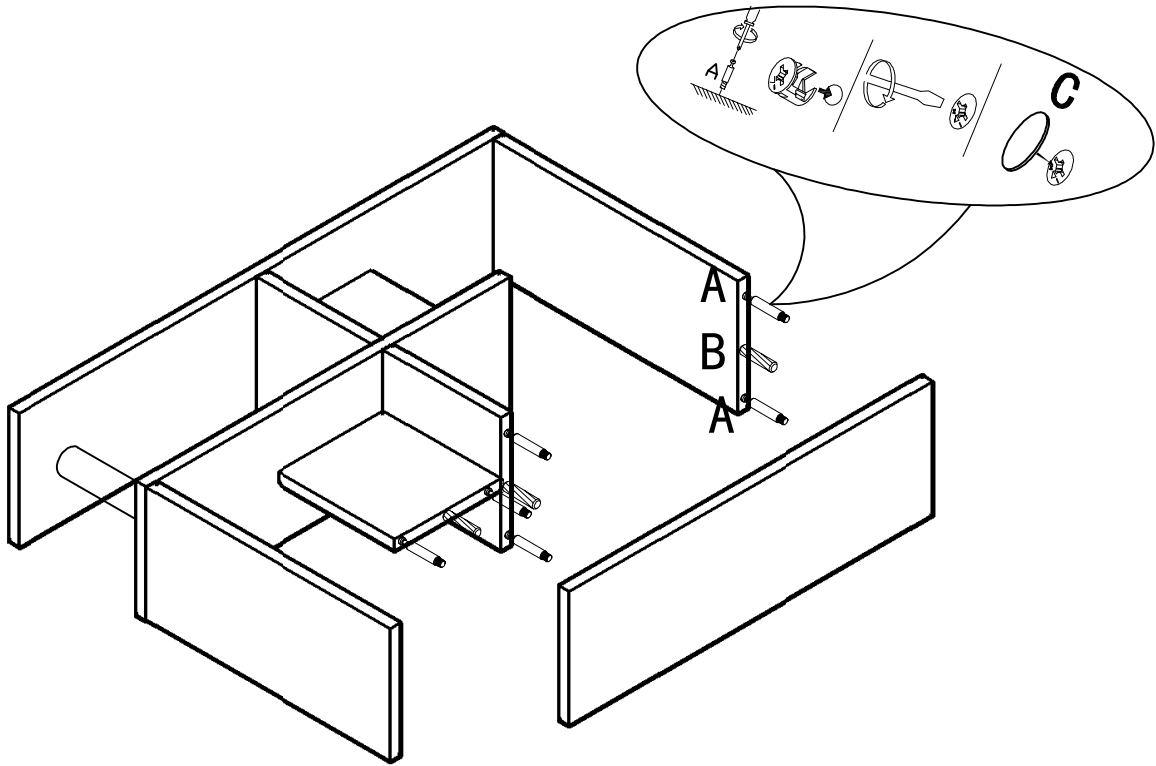
A*4 B*2 C*4 E*1 D*1



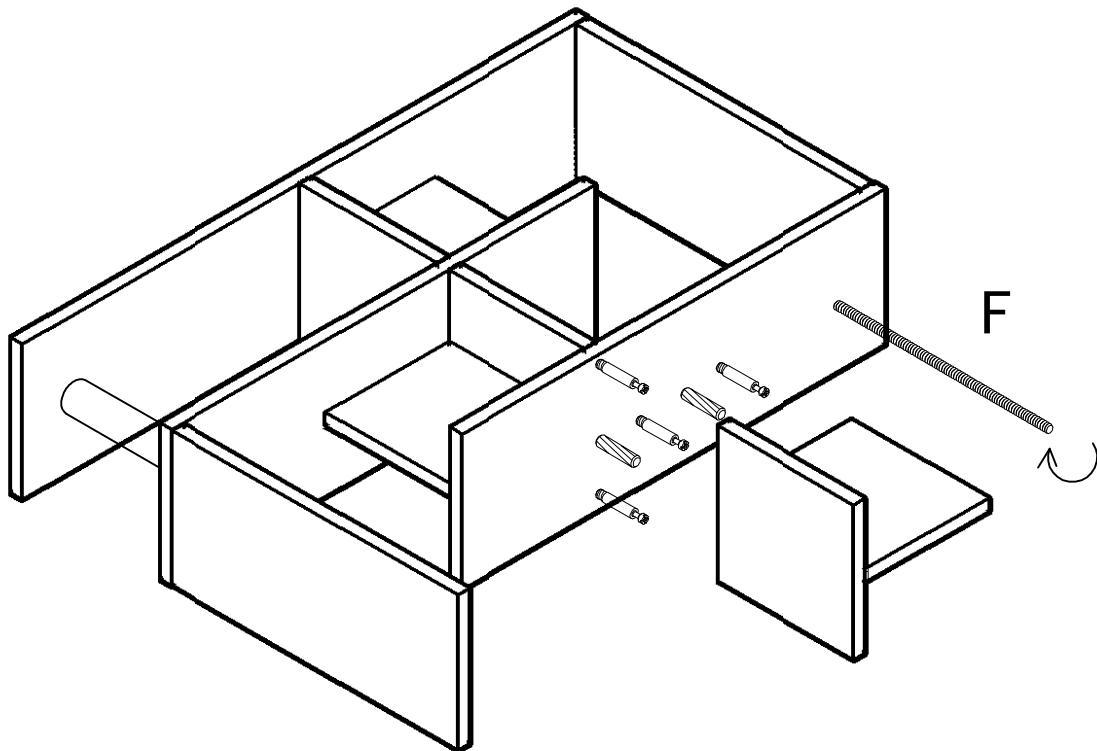
A*6 B*3 C*6



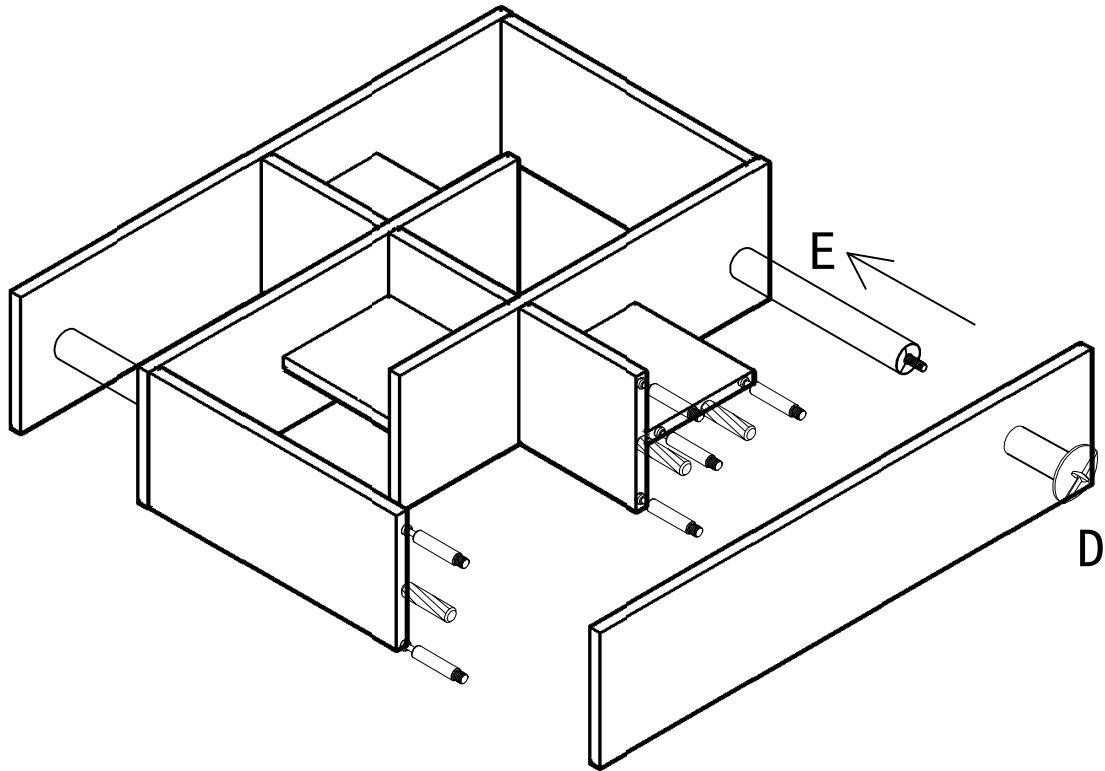
A*6 B*3 C*6



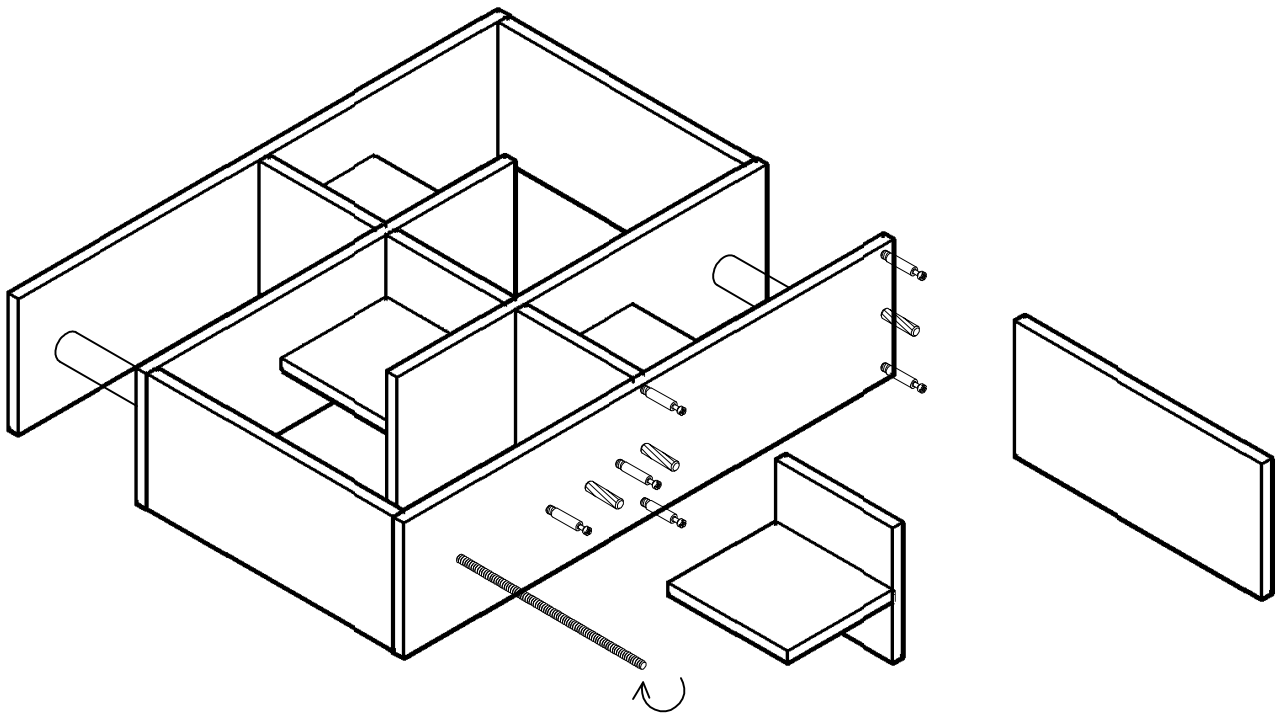
A*4 B*2 C*4 F*1



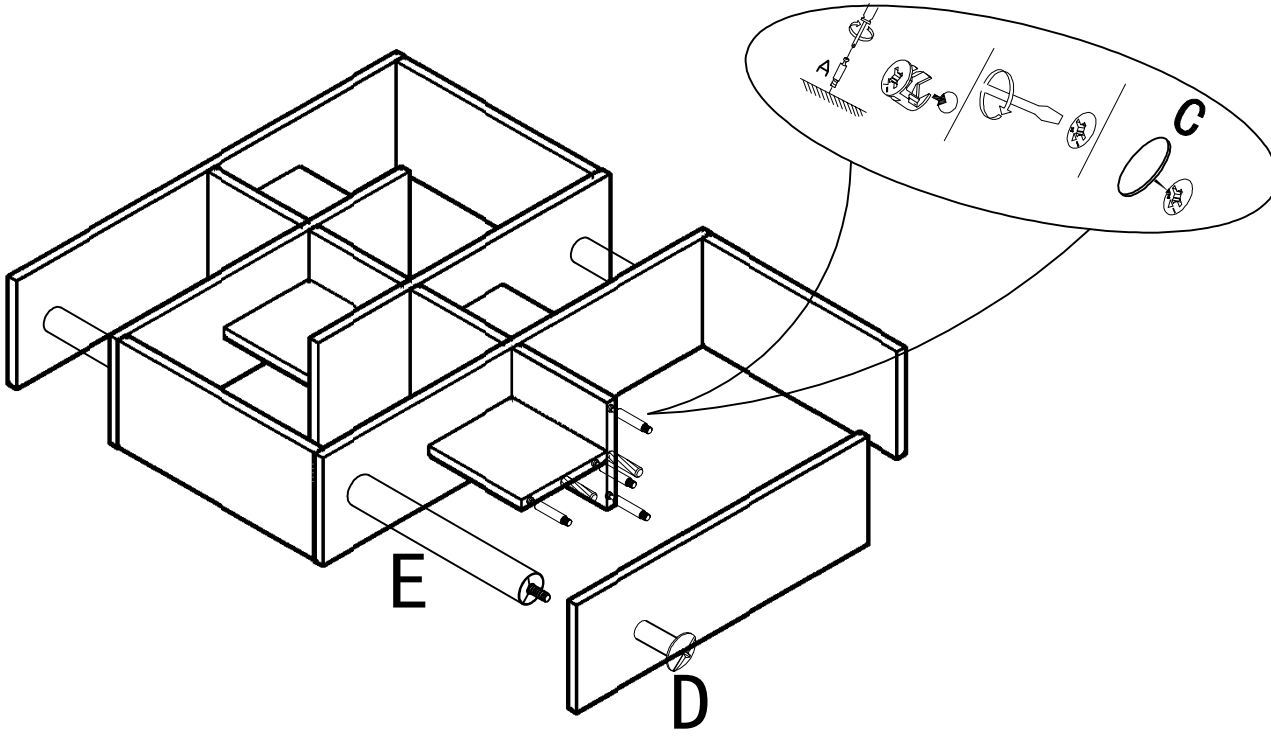
A*6 B*3 C*6 E*1 D*1



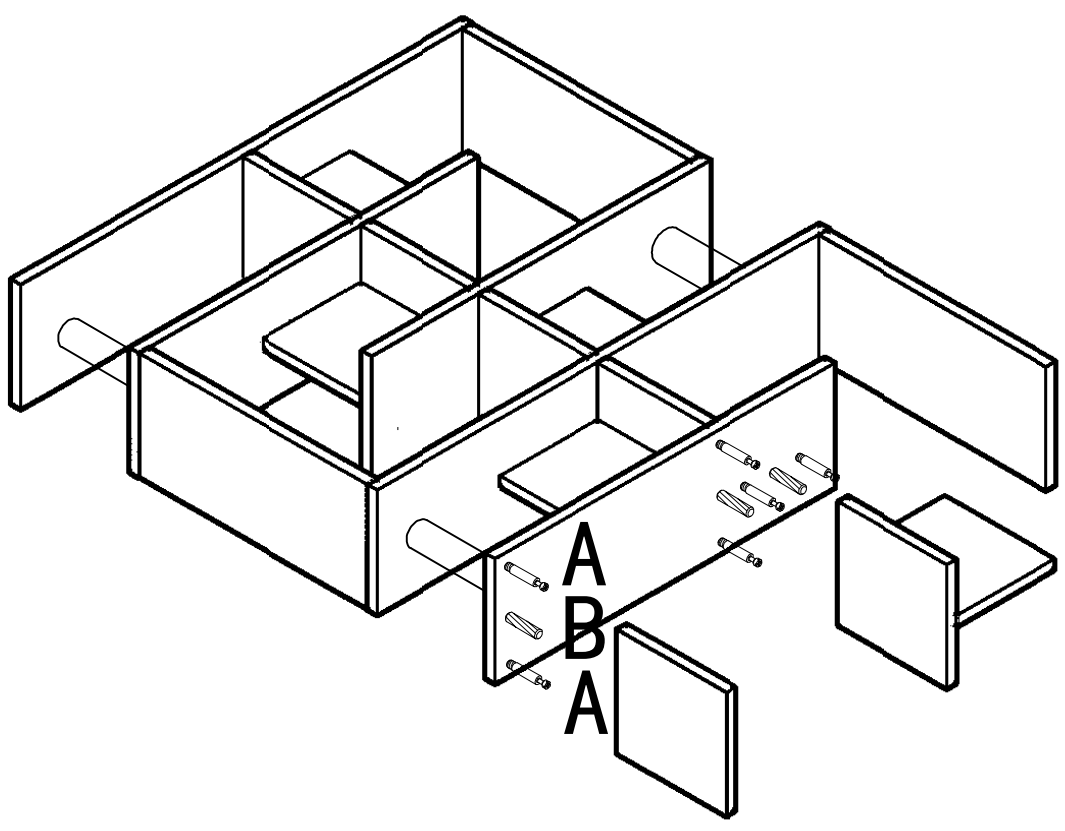
A*6 B*3 C*6 F*1



A*4 B*2 C*4 E*1 D*1

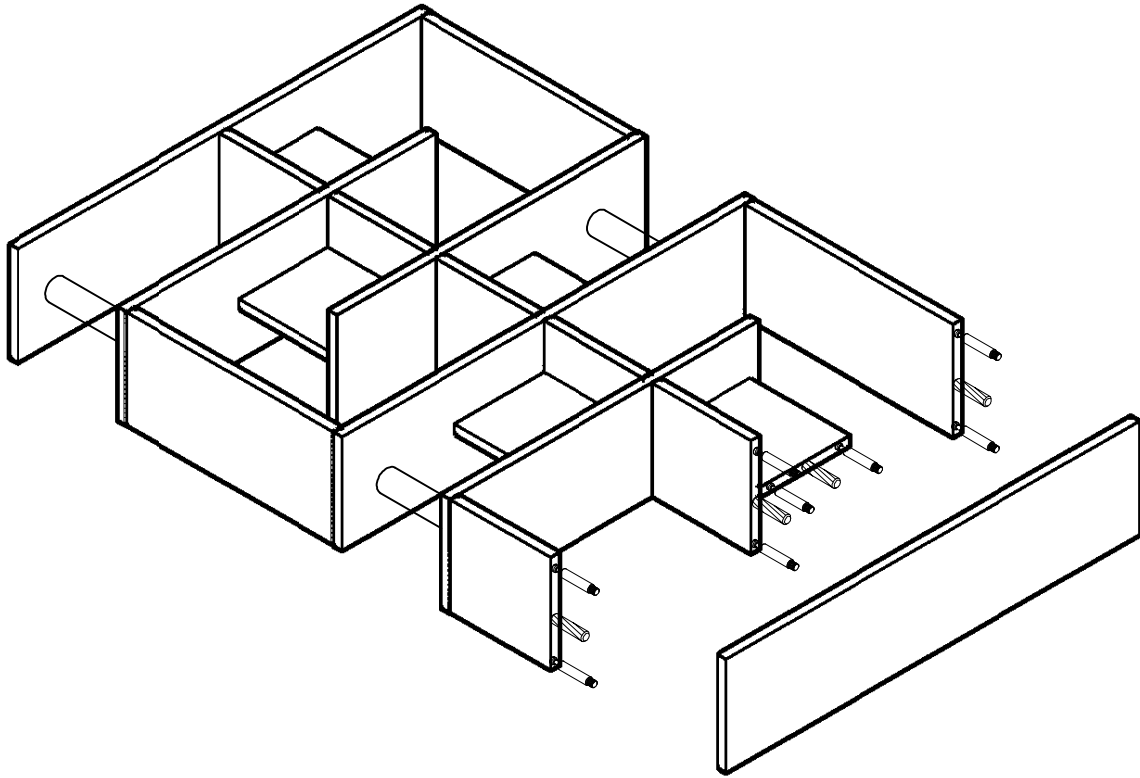


A*6 B*3 C*6



A*8 B*4 C*8

11



G*1

Done

