
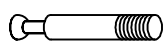




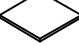
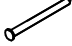



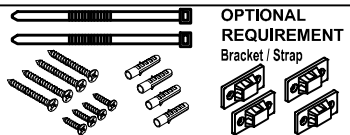

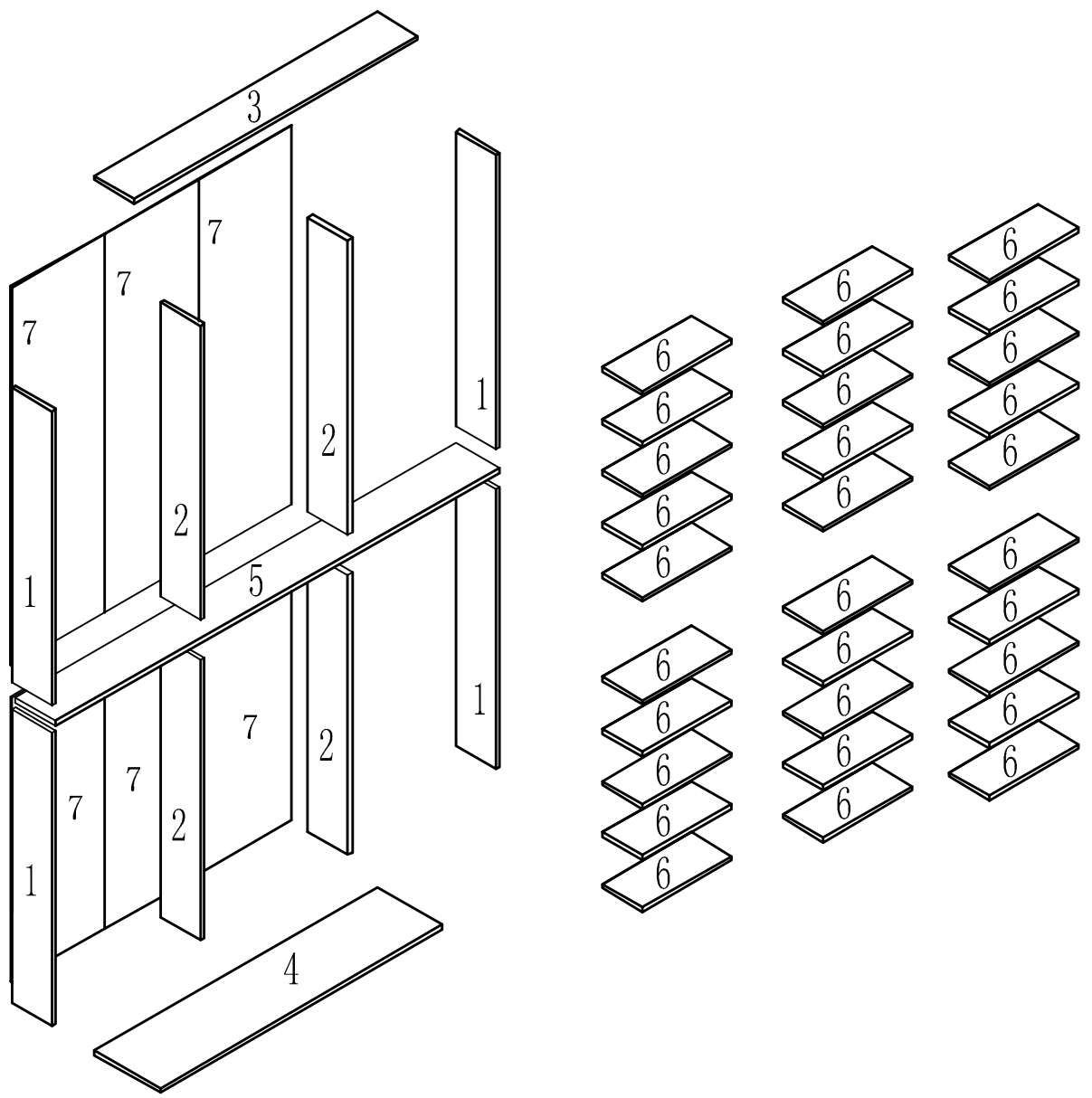







2 hours

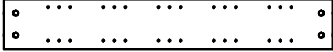
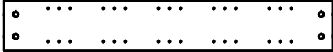

This block contains two icons: on the left, two stylized human figures representing two people; on the right, a circular clock face with hands. Below the clock icon, the text '2 hours' is written.

PARTS LIST			HARDWARE LIST		
NO.	DESCRIPTION	QTY	NO.	DESCRIPTION	QTY
1		4	A	 M6X32MM	32
2		4	B	 M15X12MM	32
3		1	C		120
4		1	D	 M1X20MM	60
5		1	E		4
6		30	F	 OPTIONAL REQUIREMENT Bracket / Strap	
7		6			



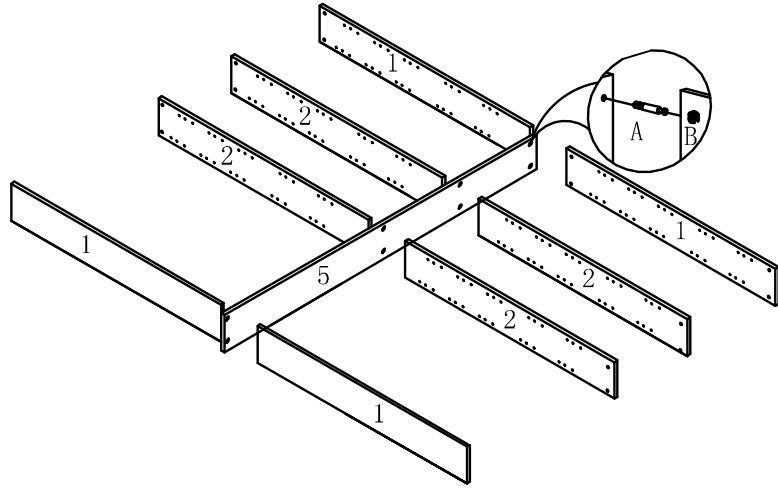
PACKING DETAILS: TOTAL 2 BOXES

BOX 1/2		
NO.	PARTS LIST	QTY
3		1
4		1
5		1
6		21
7		6
	ACCESSORIES FITTING BAG	

BOX 2/2		
NO.	PARTS LIST	QTY
1		4
2		4
6		9

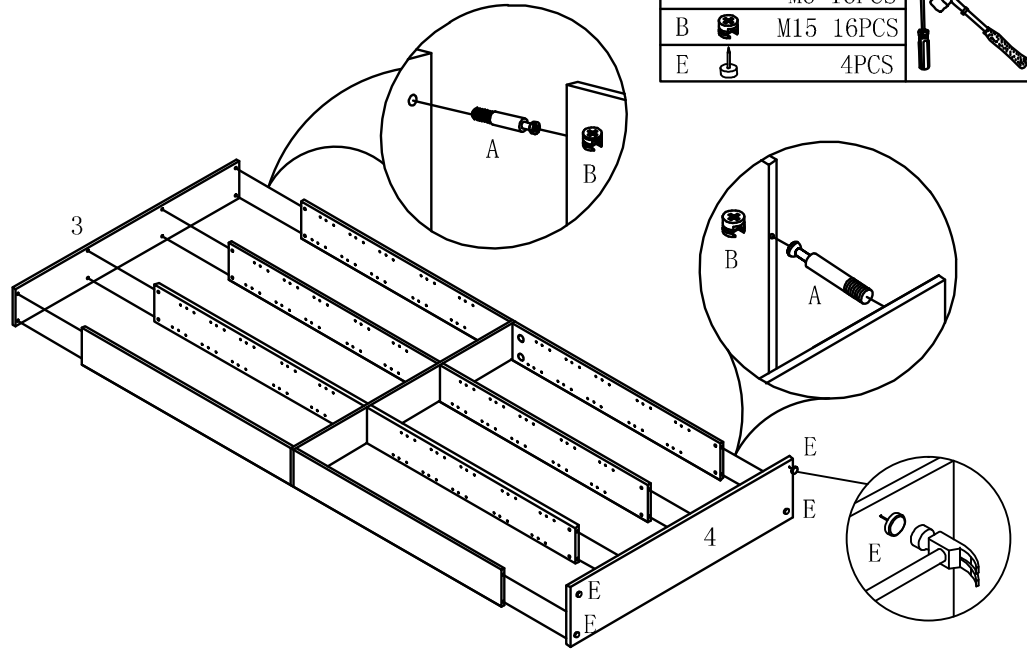
STEP 1

HARDWARE LIST	
A	M6 16PCS
B	M15 16PCS



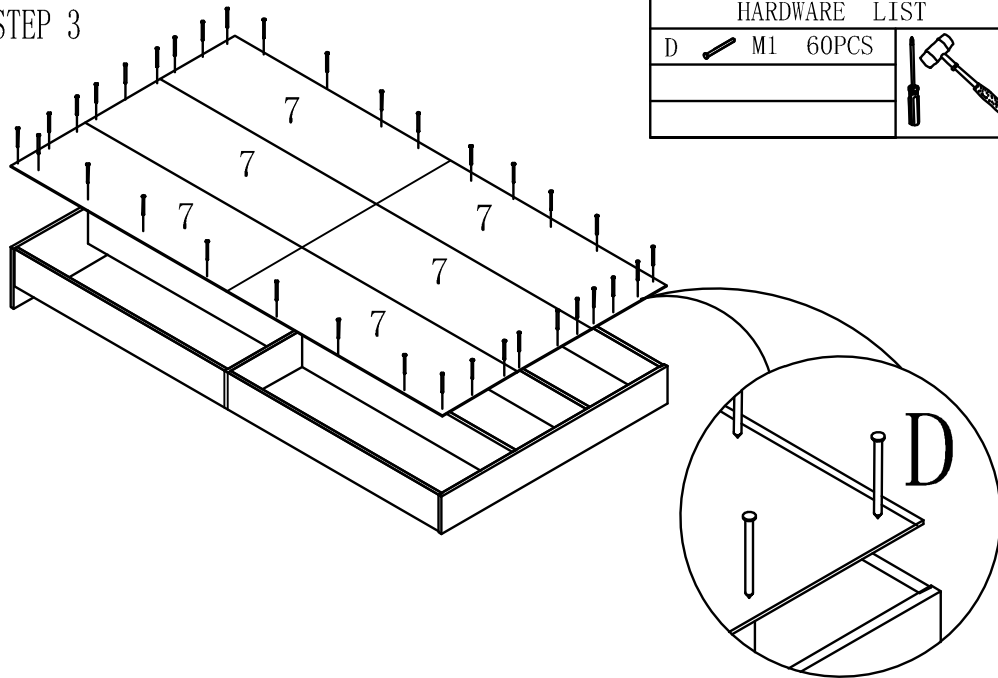
STEP 2

HARDWARE LIST	
A	M6 16PCS
B	M15 16PCS
E	4PCS



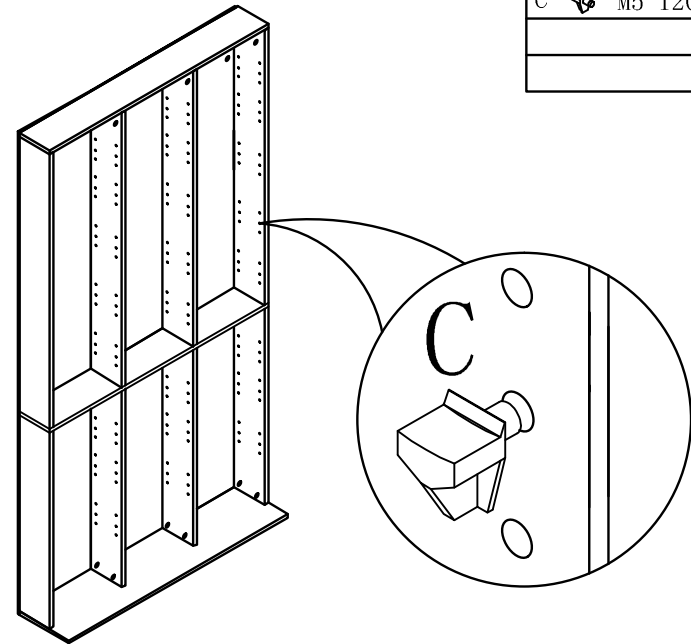
STEP 3

HARDWARE LIST	
D	M1 60PCS

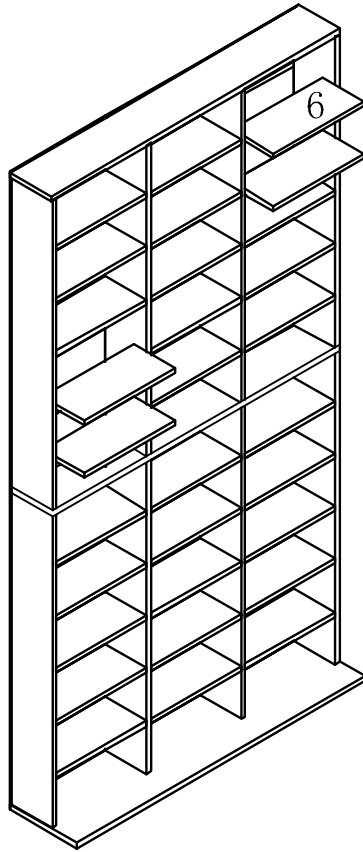


STEP 4

HARDWARE LIST	
C	M5 120PCS



STEP 5



HARDWARE LIST

HARDWARE LIST	
	

STEP 6

