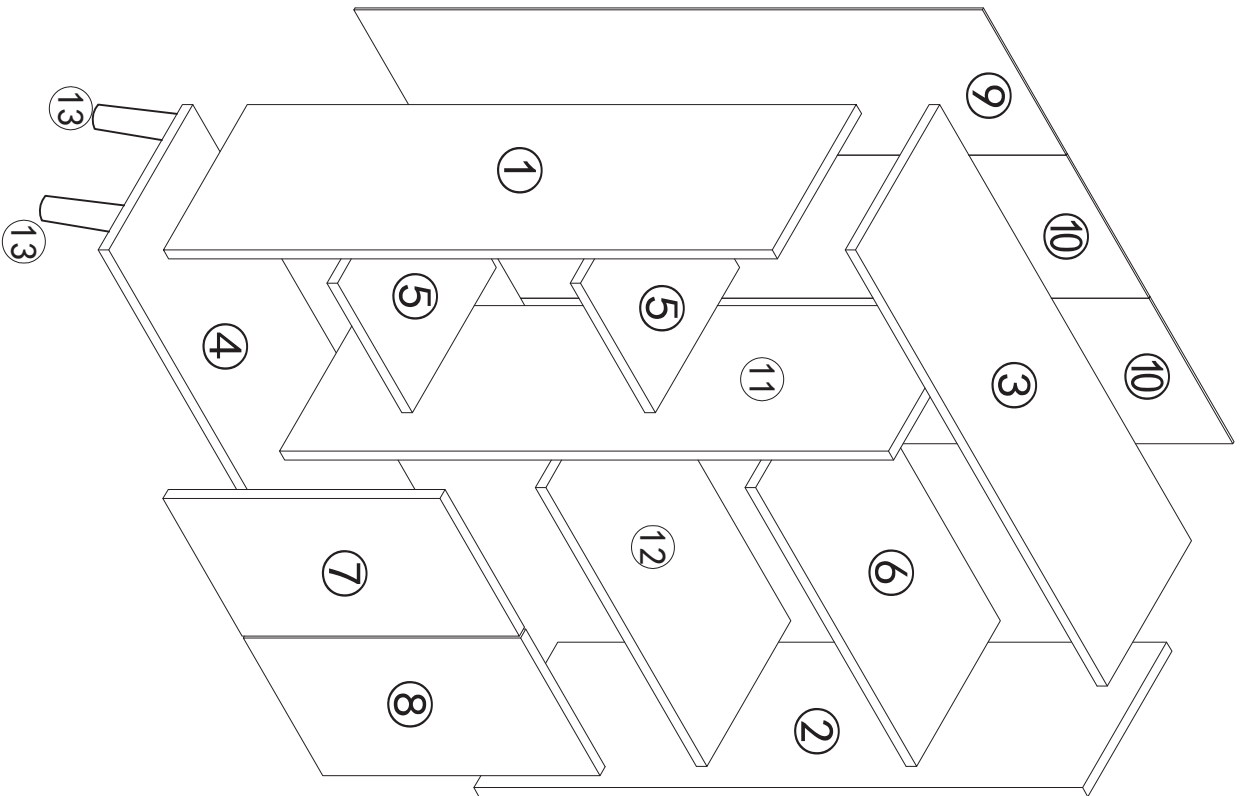














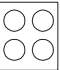
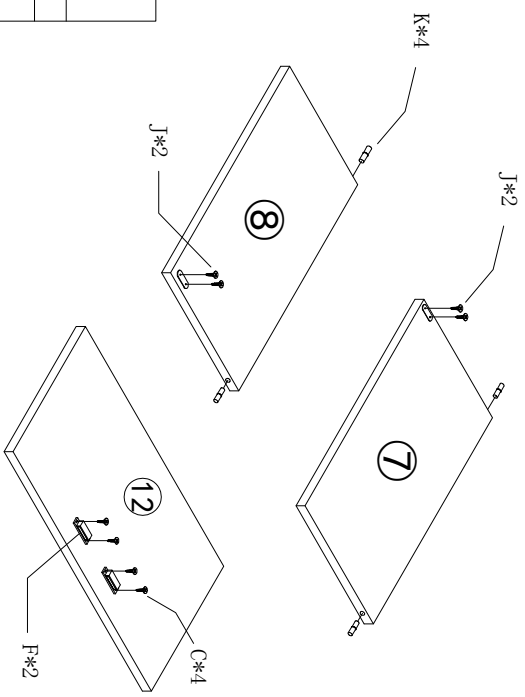


836-114



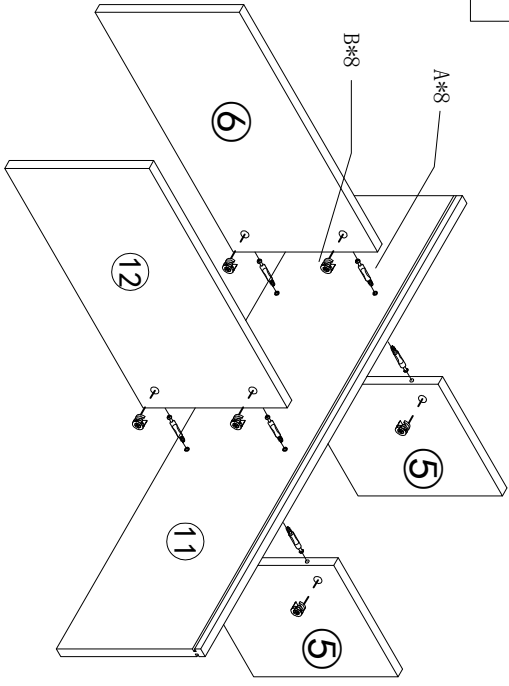
A		B	
28 x		28 x	
C		D	
3x14		2x	
22 x			
E		F	
18mm		2x	
2x			
G		H	
18 x		4 x	
I		J	
3.5*14		4 x	
22 x			
K		L	
4 x		2 x	
M		N	
2 x		2 x	
O			
28 x			

1



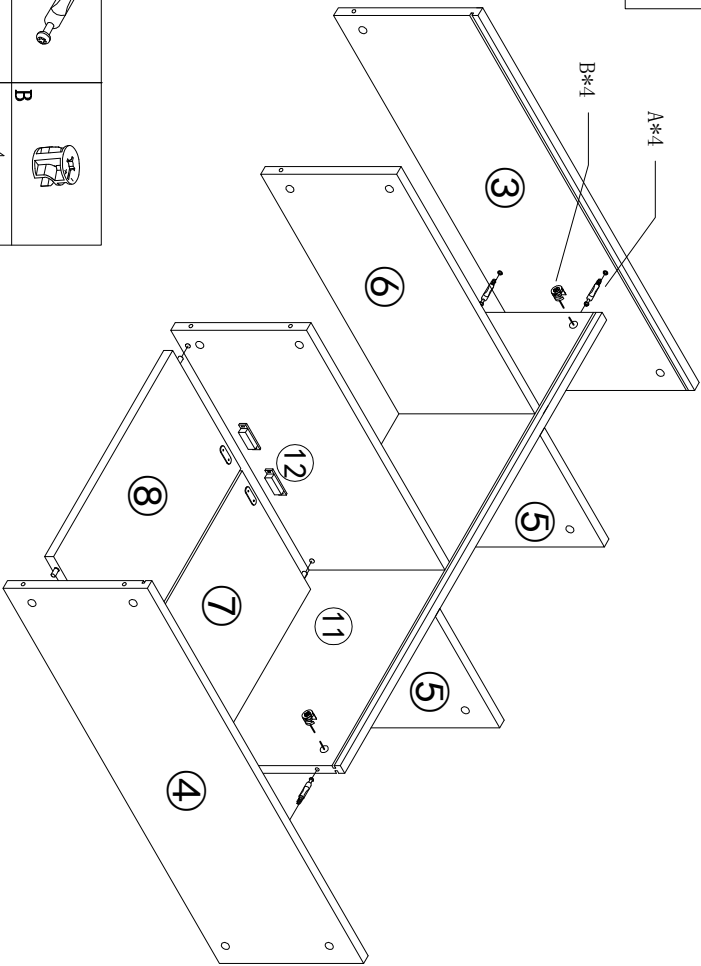
C	3x14		J*3+10		4x
F	2x		K		4x

2



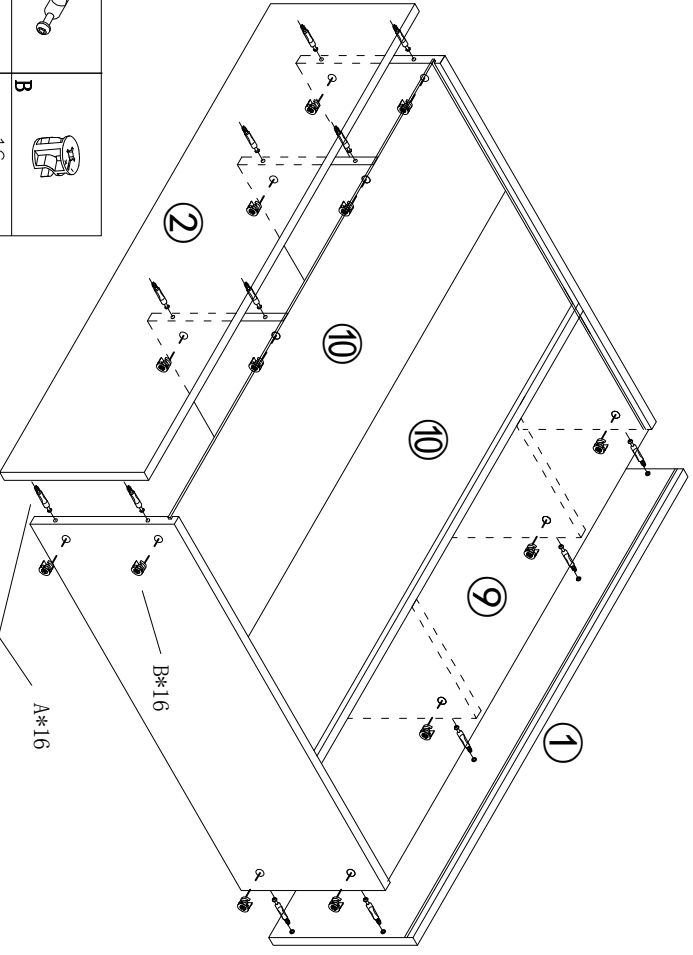
A	8x		B		8x
---	----	--	---	--	----

3



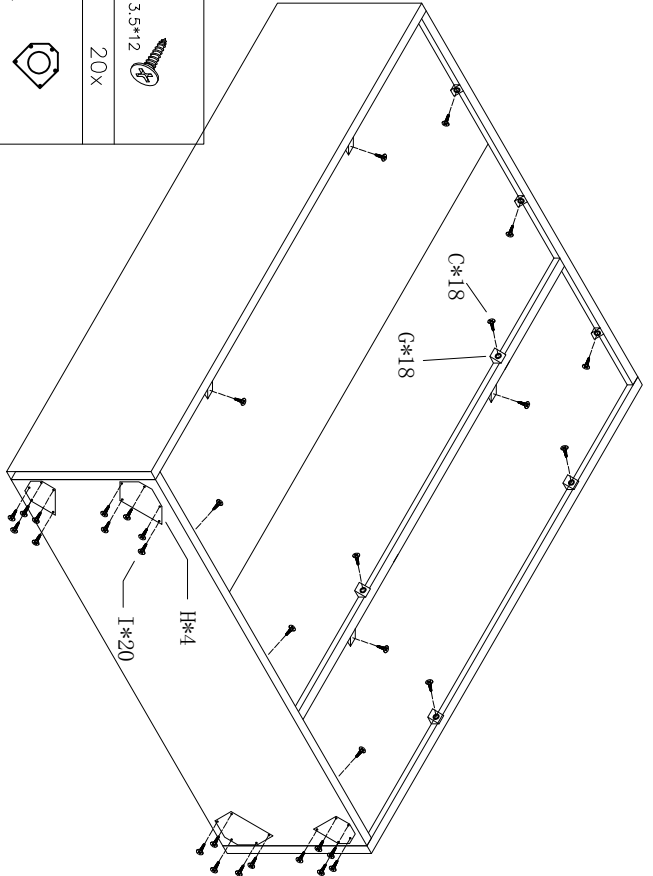
A	4x		B		4x
---	----	--	---	--	----

4



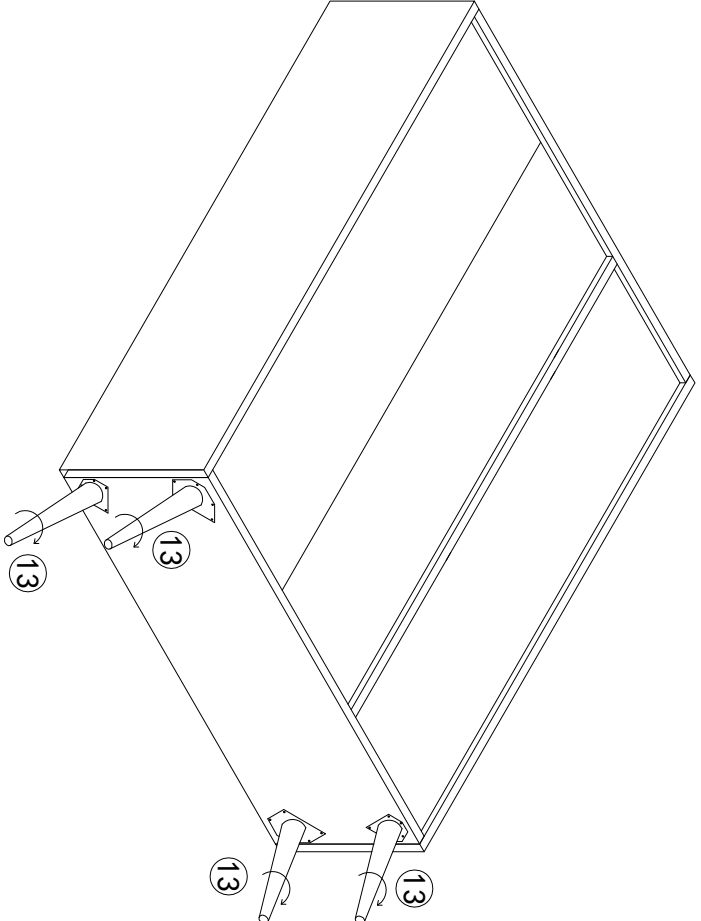
A	16x		B		16x
---	-----	--	---	--	-----

5

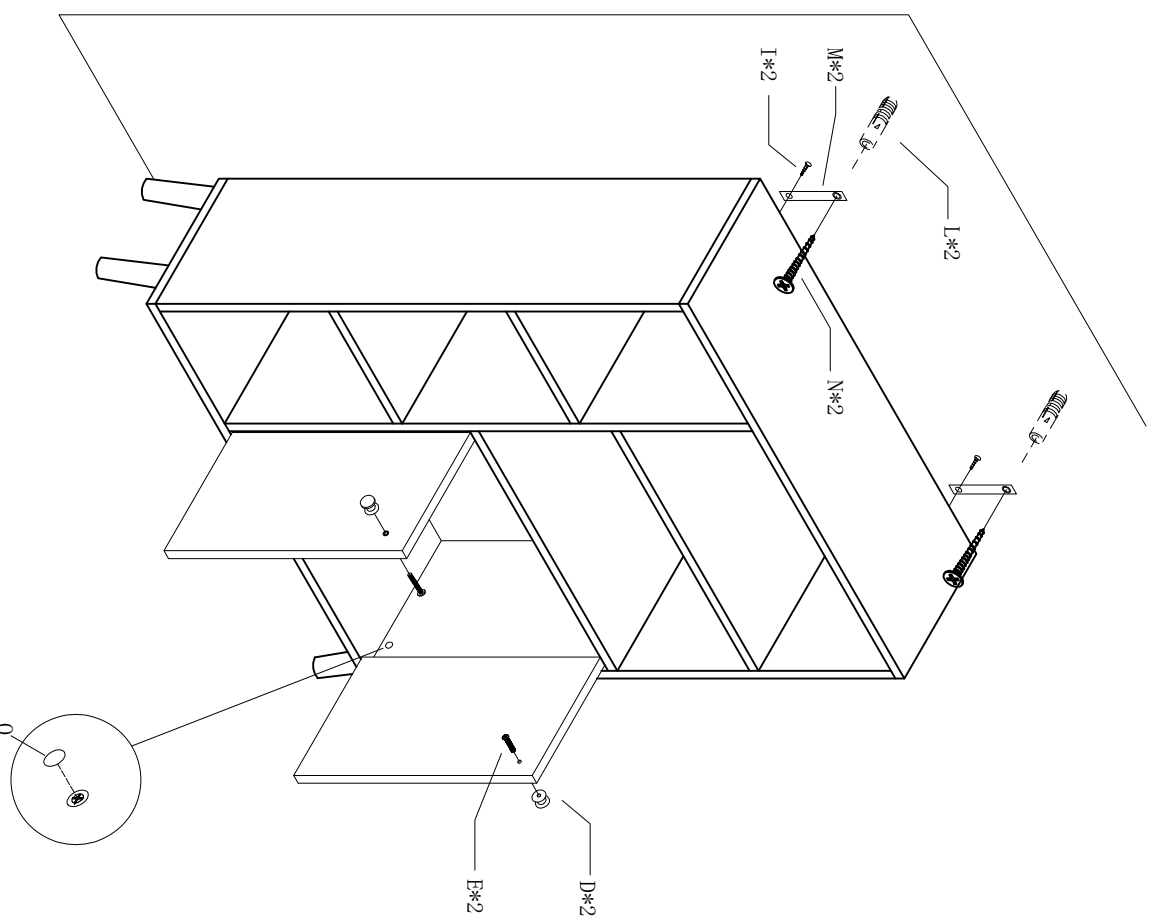


C 3x14 18x	I 3.5*12 20x
G 18x	H 4x

6



7



D 2x	E 18mm 2x	I 3.5*14 2x	L 2x
	M 2x	N 3.5x30 2x	O 28x