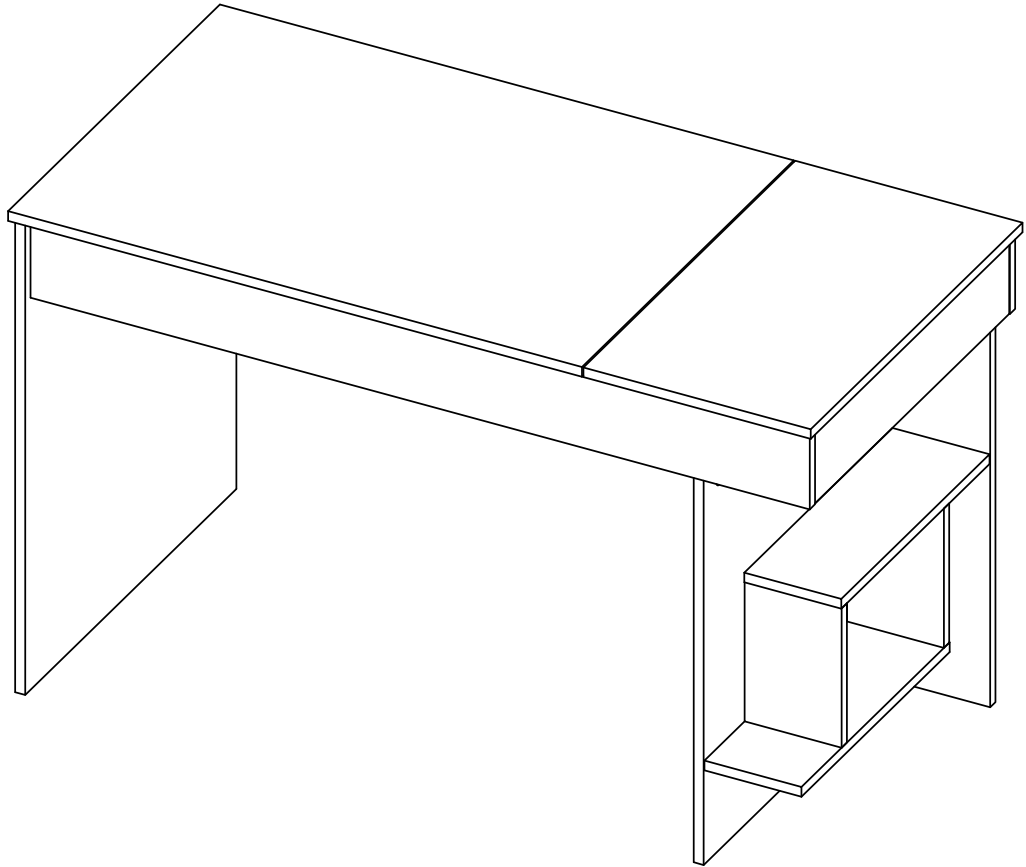
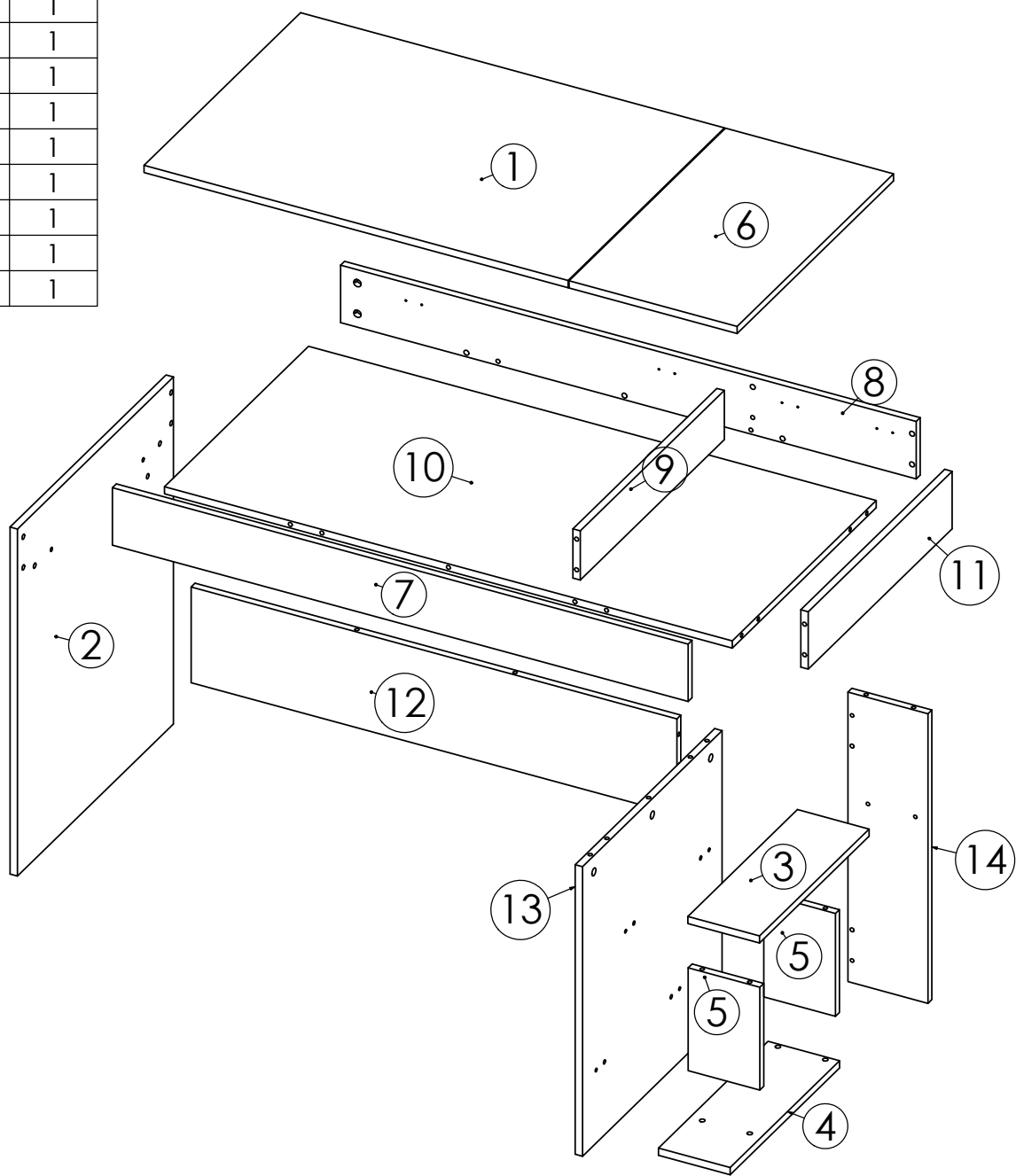


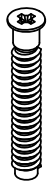
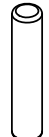




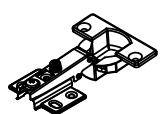


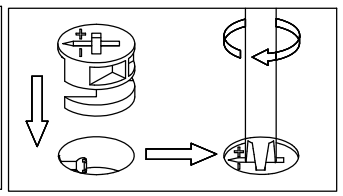
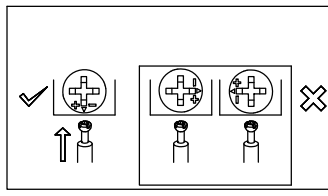
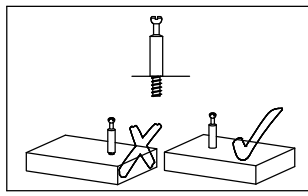
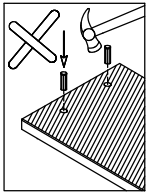
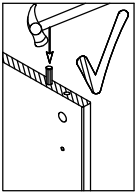
836-082



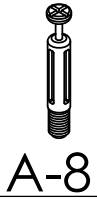
NO.	L	W	H	QTY.
1	858	600	15	1
2	725	598	15	1
3	420	145	15	1
4	420	145	15	1
5	215	145	15	2
6	340	600	15	1
7	1165	120	15	1
8	1165	120	15	1
9	552	103	15	1
10	1149	552	15	1
11	552	120	15	1
12	983	200	15	1
13	605	535	15	1
14	605	162	15	1



		M7*50 	φ8*40 	φ3.5*14 				
A-39+2	B-39+2	C-9	D-20+2	E-24+2	F-8	G-31	H-5	I-4



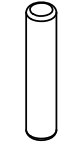
1



A-8



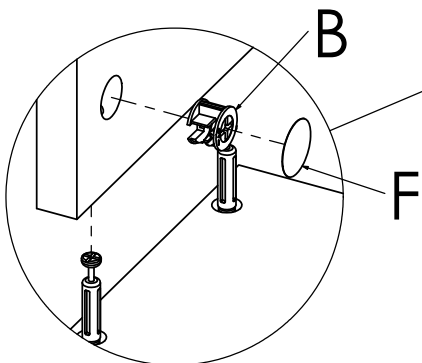
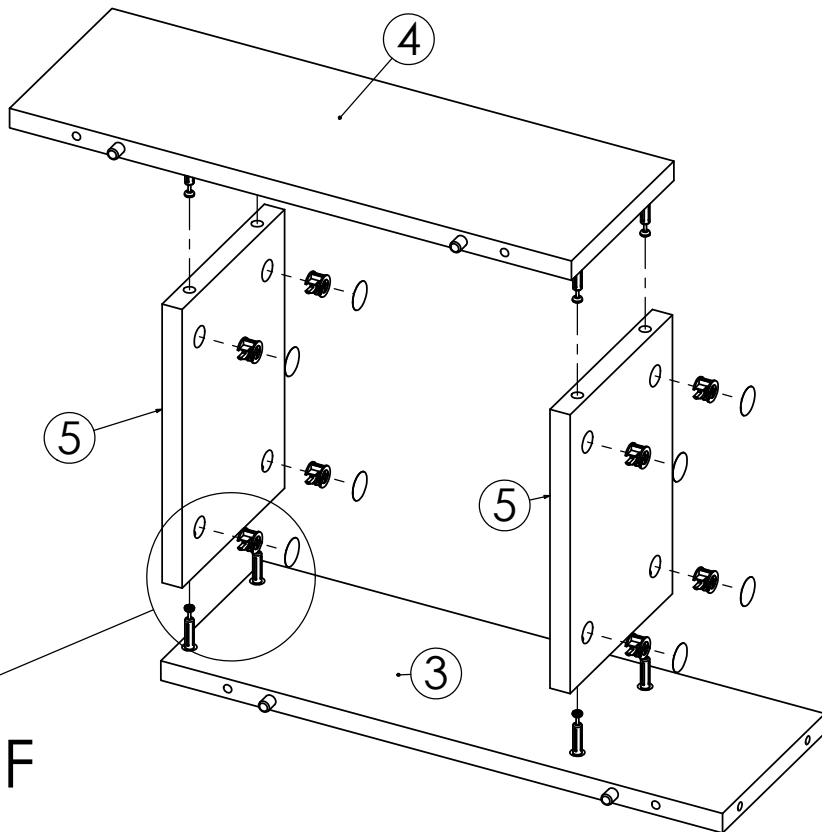
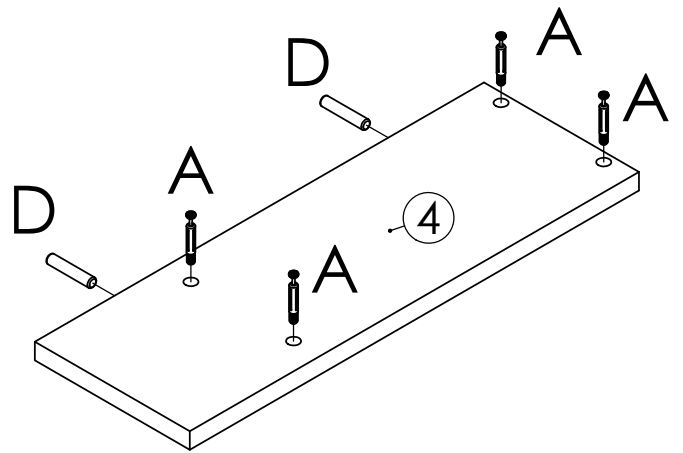
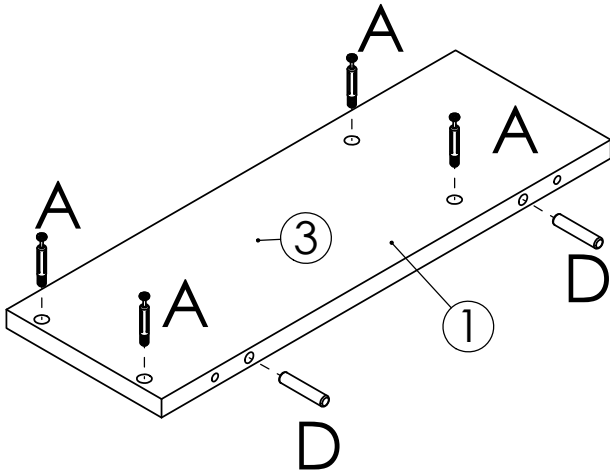
B-8

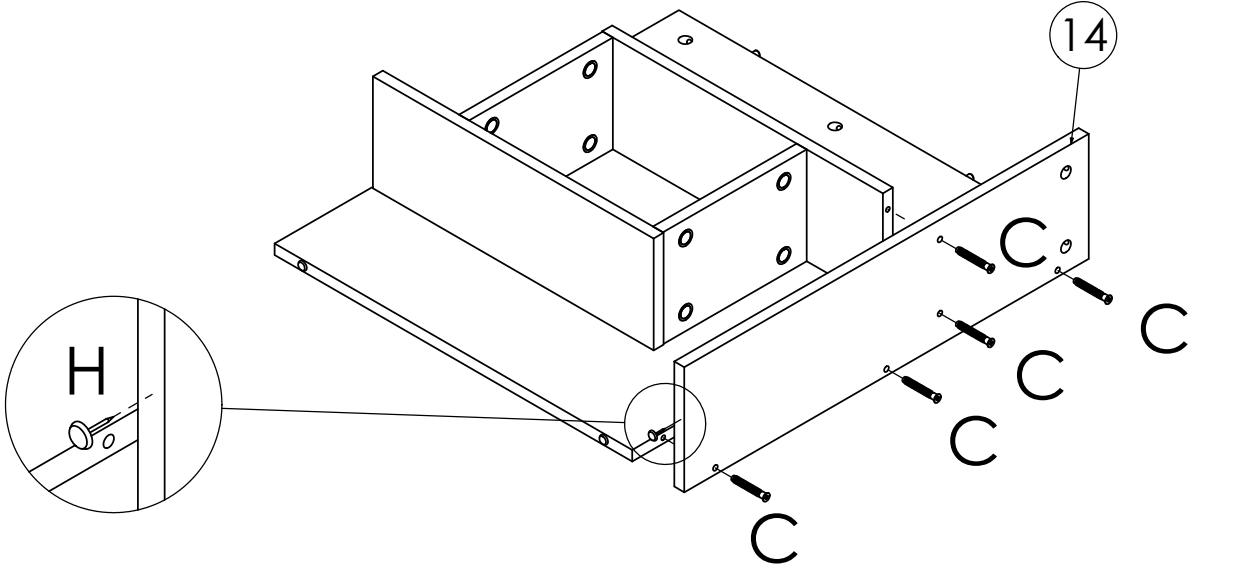
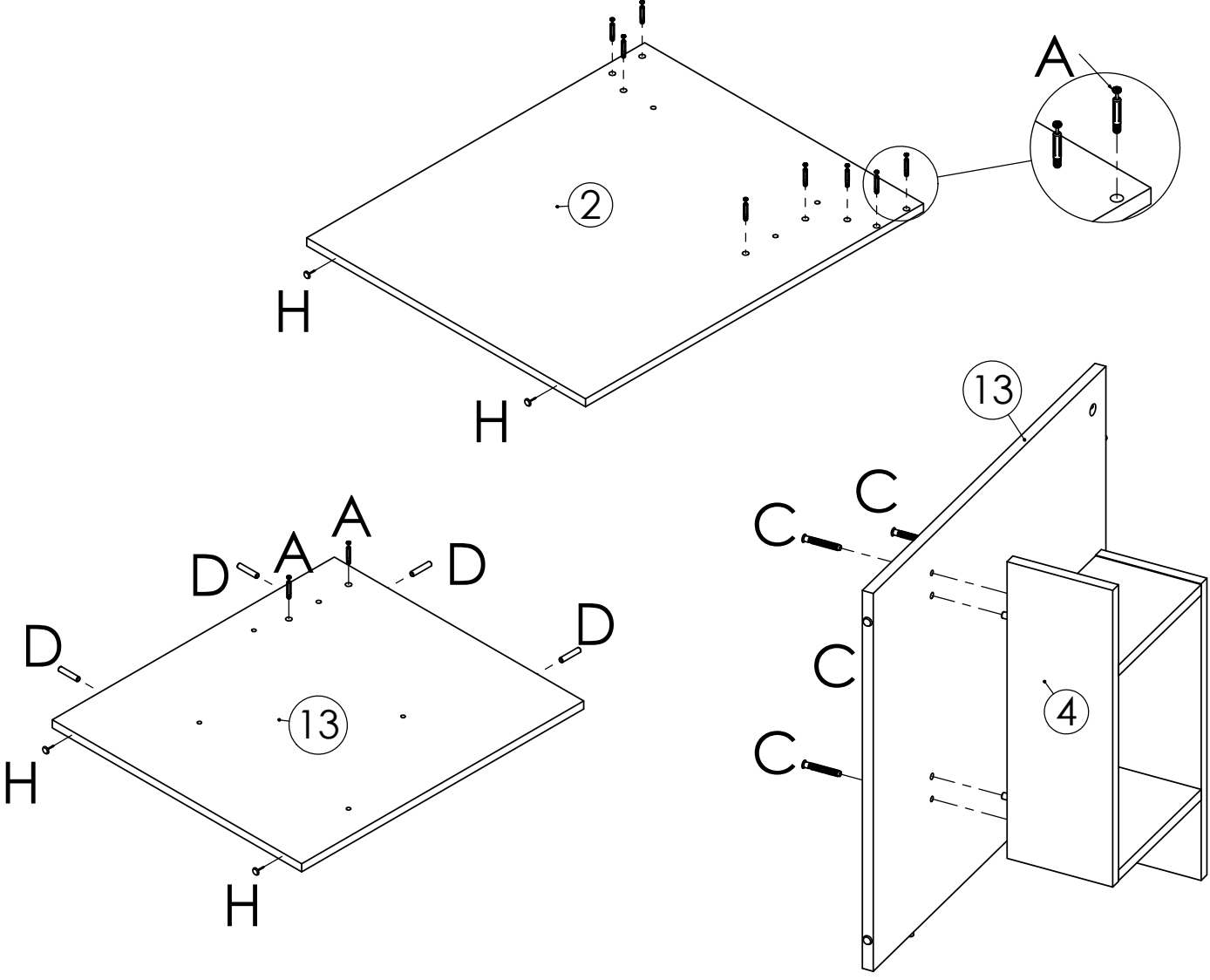
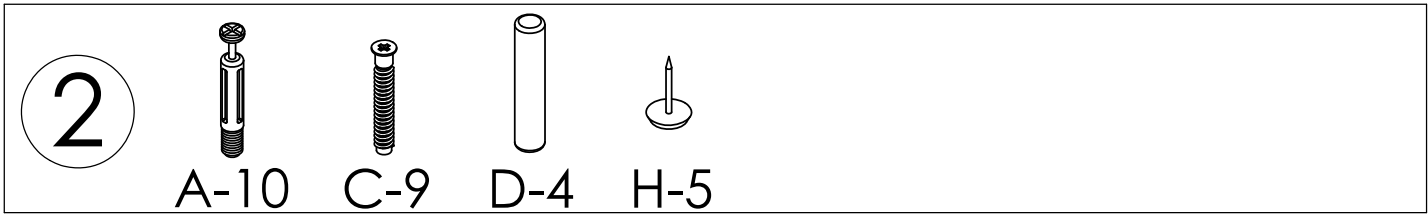


D-4

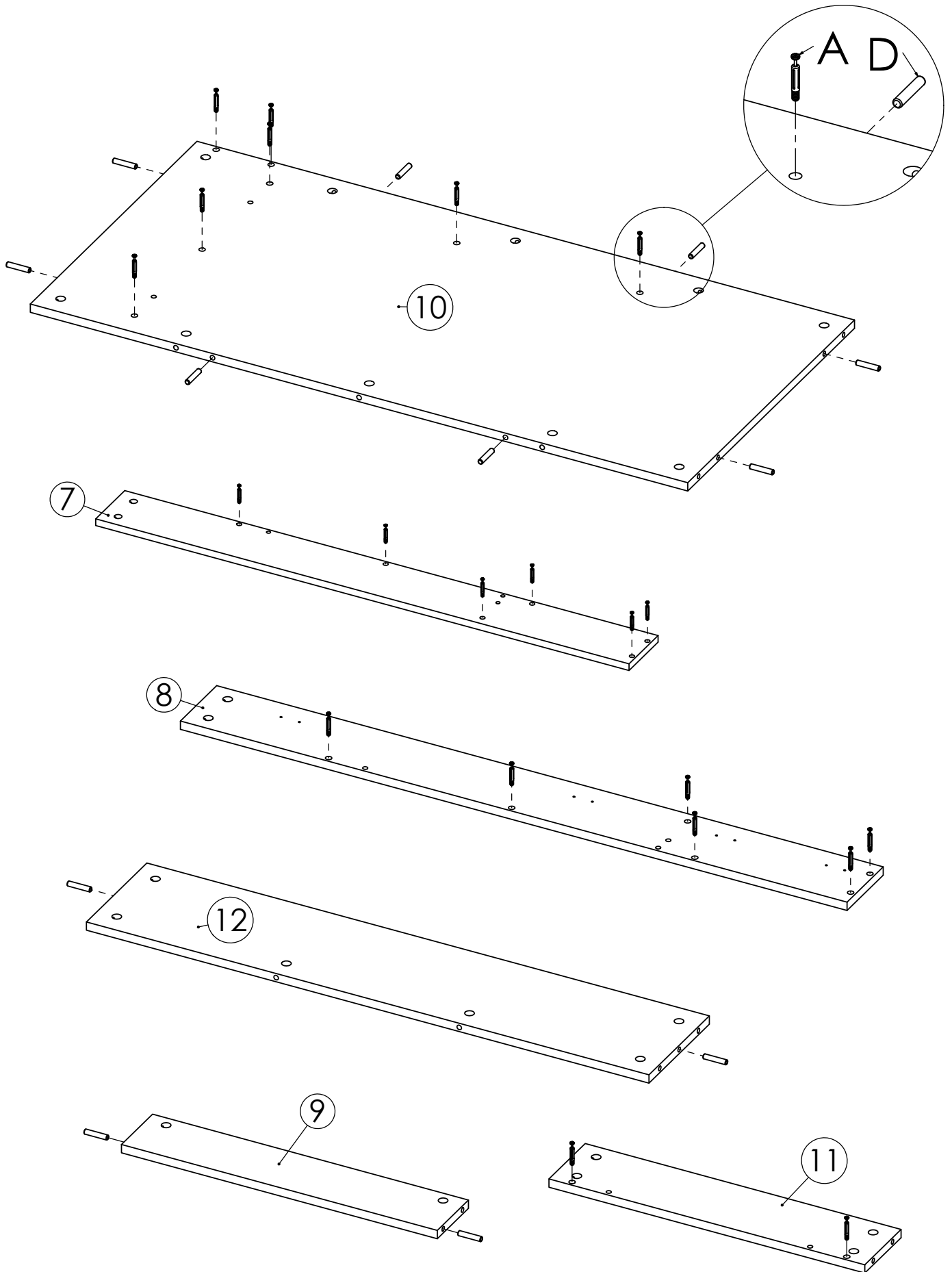
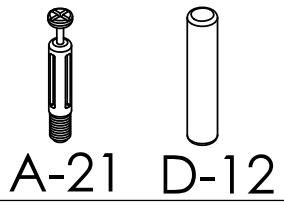


F-8





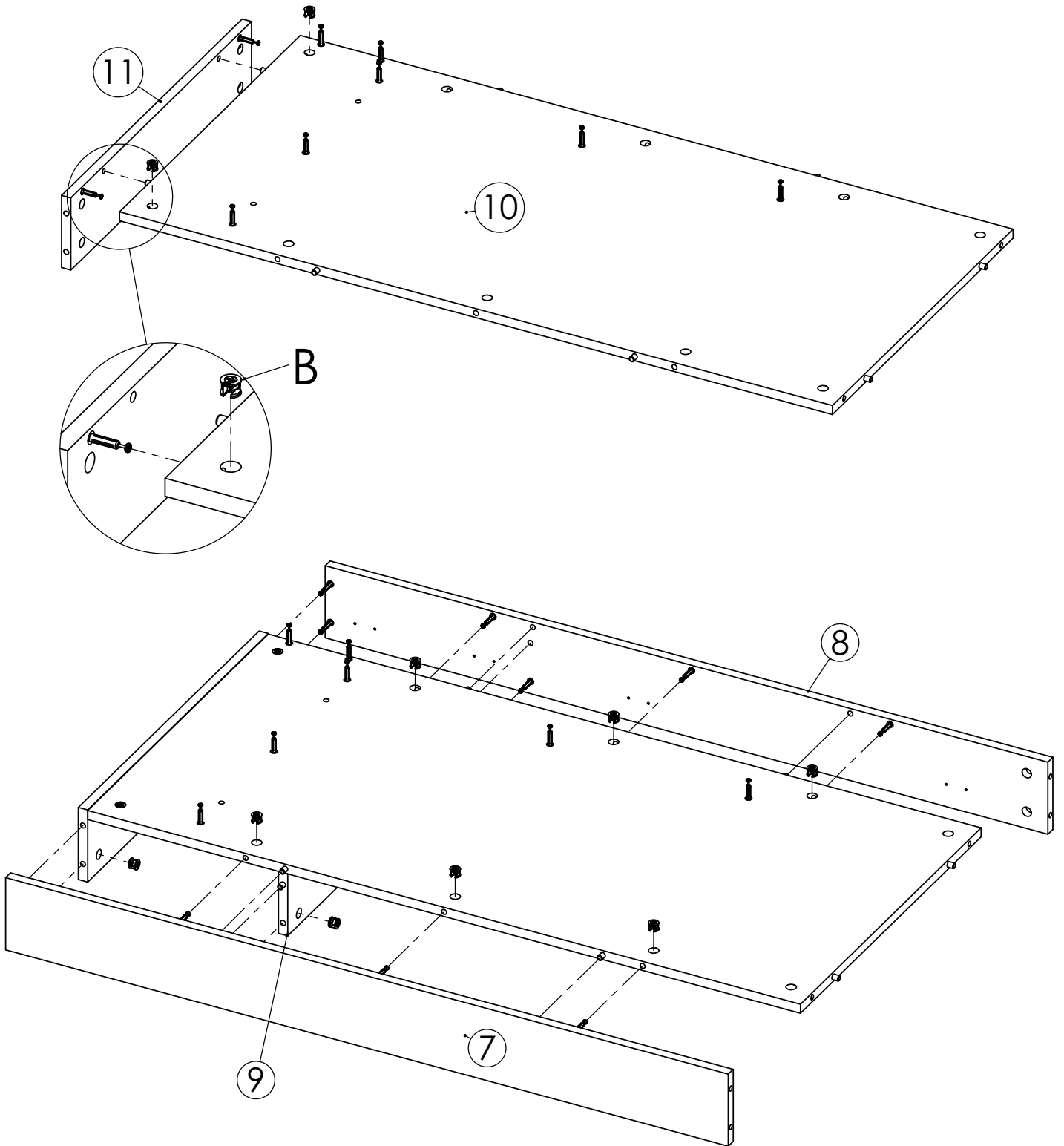
3



4



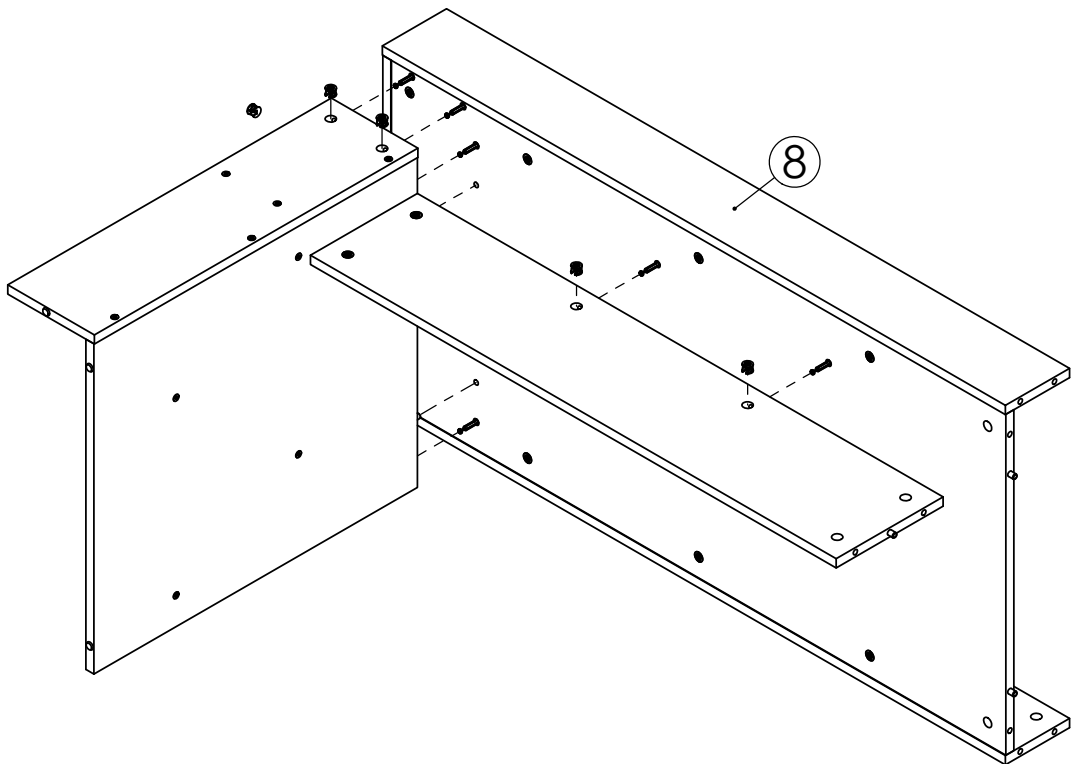
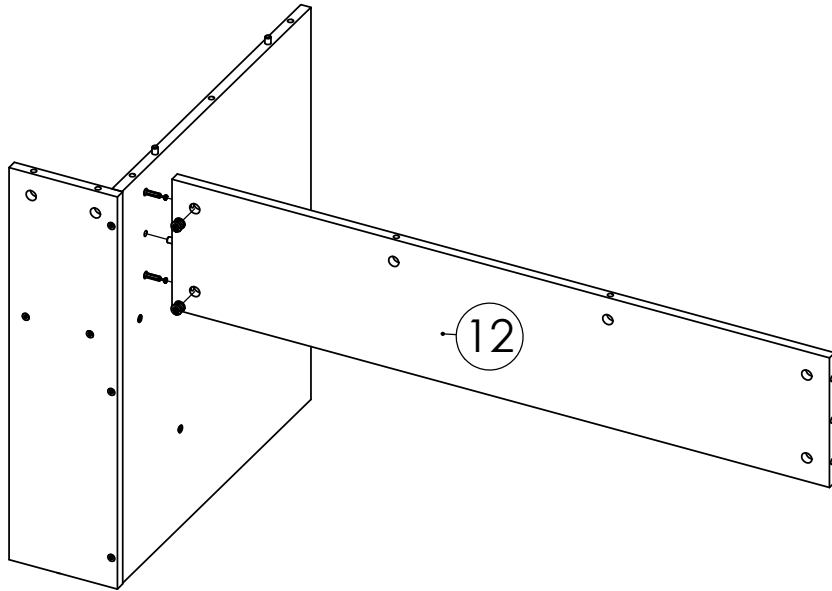
B-14



5



B-9



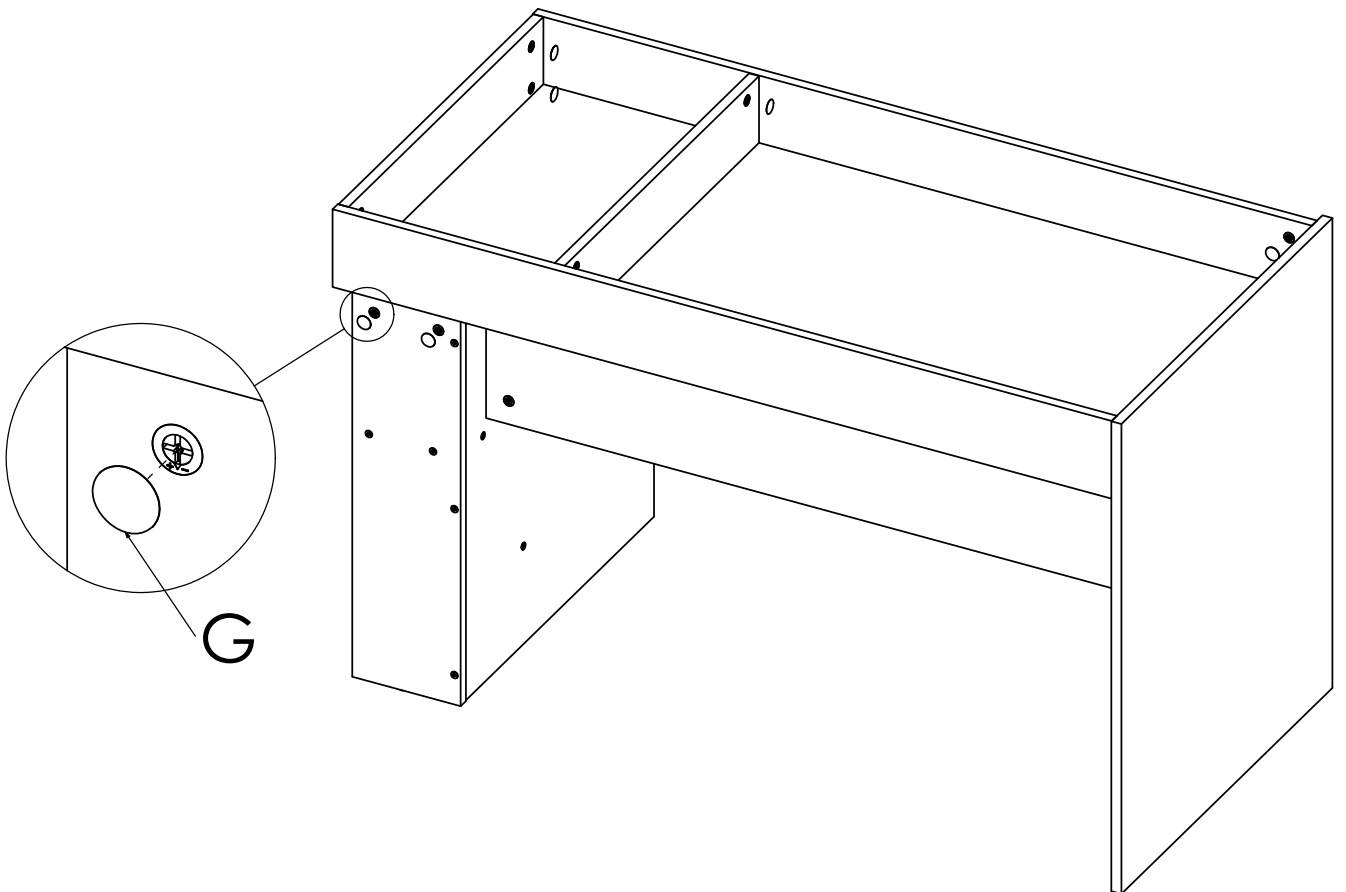
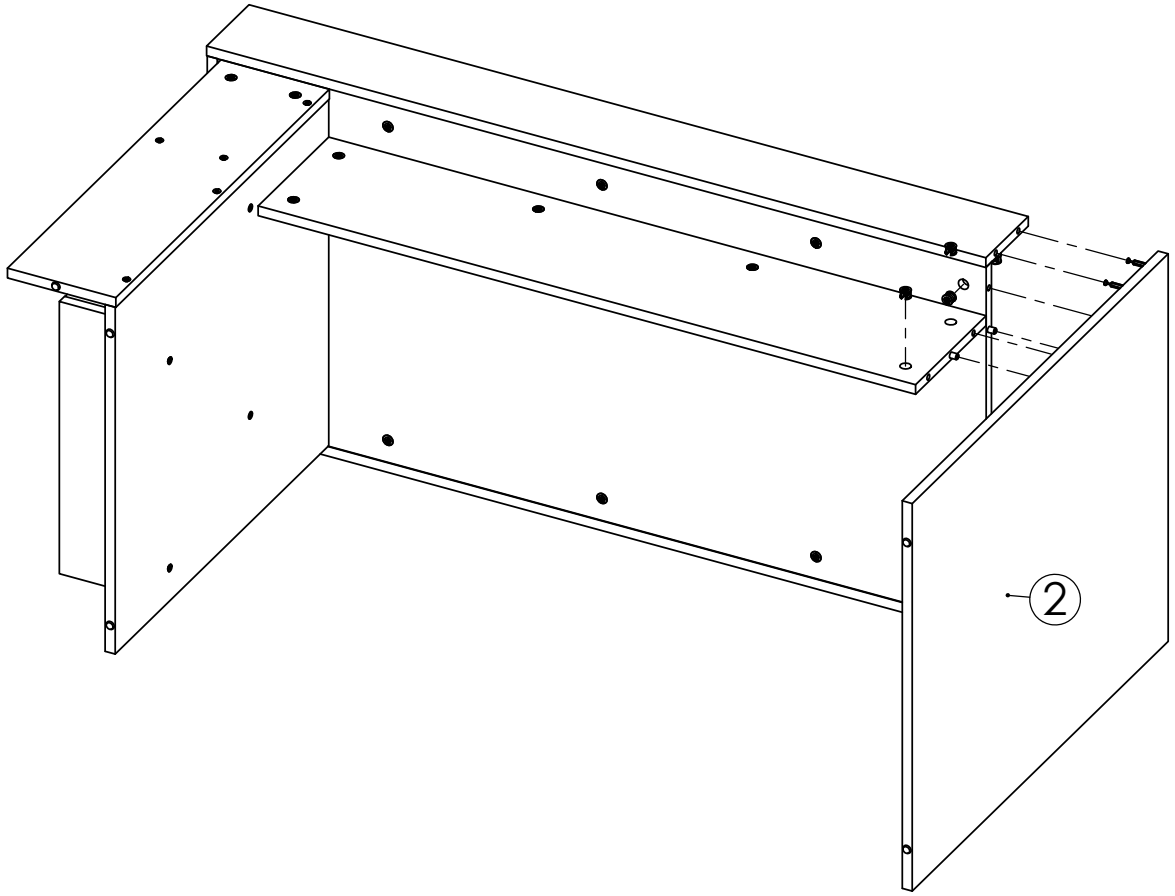
6



B-8



G-31





7

E-24

I-4

