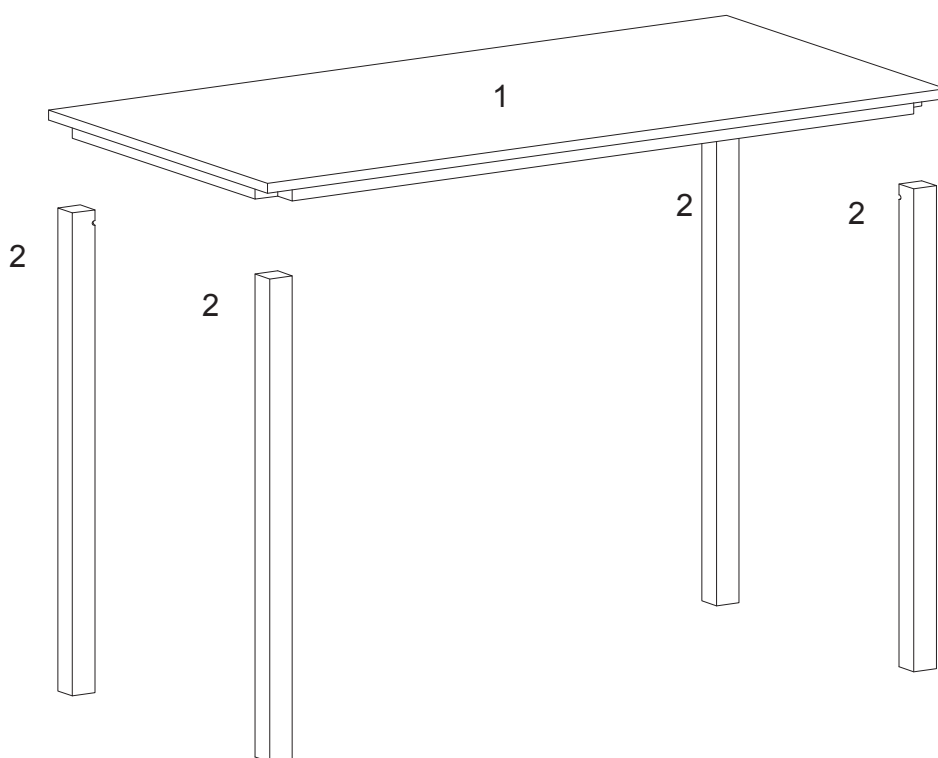

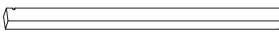

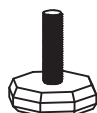


ASSEMBLY INSTRUCTION



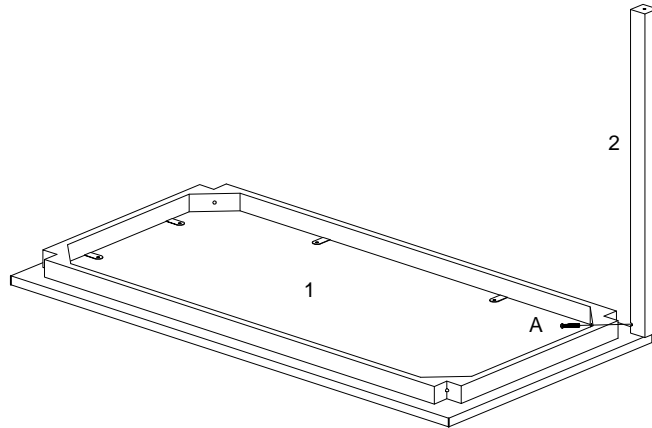
Please check the board number and quantity

1)  1200*600 1 pc	2)  L:725 4 pcs	3)	4)
---	--	-----	-----

A)  M6*55 4 pcs	B)  4 pcs	C)	D)	E)
---	---	-----	-----	-----

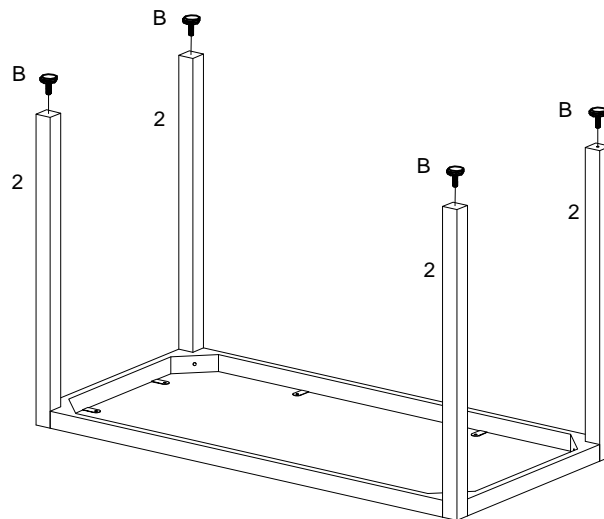
ASSEMBLY INSTRUCTION



STEP 1



 A x 1 pc

STEP 2



 A x 3 pcs
 B x 4 pcs

STEP 3

