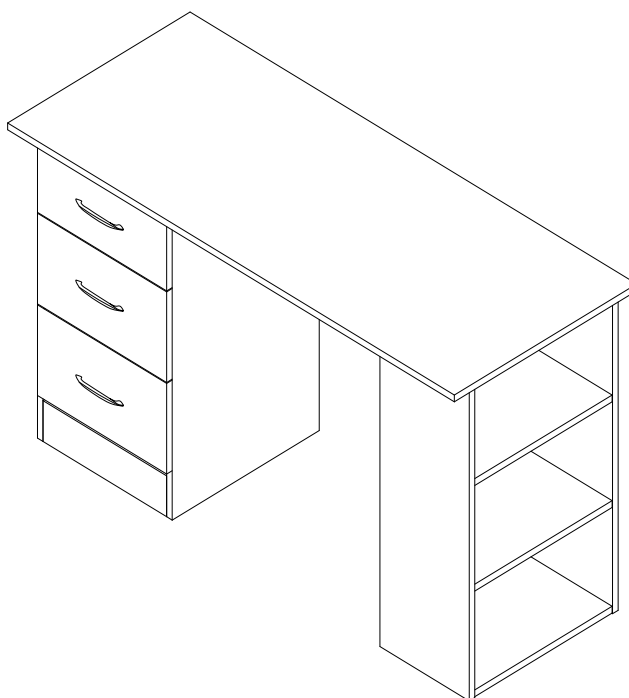




Assembly Instructions



836-068







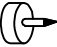







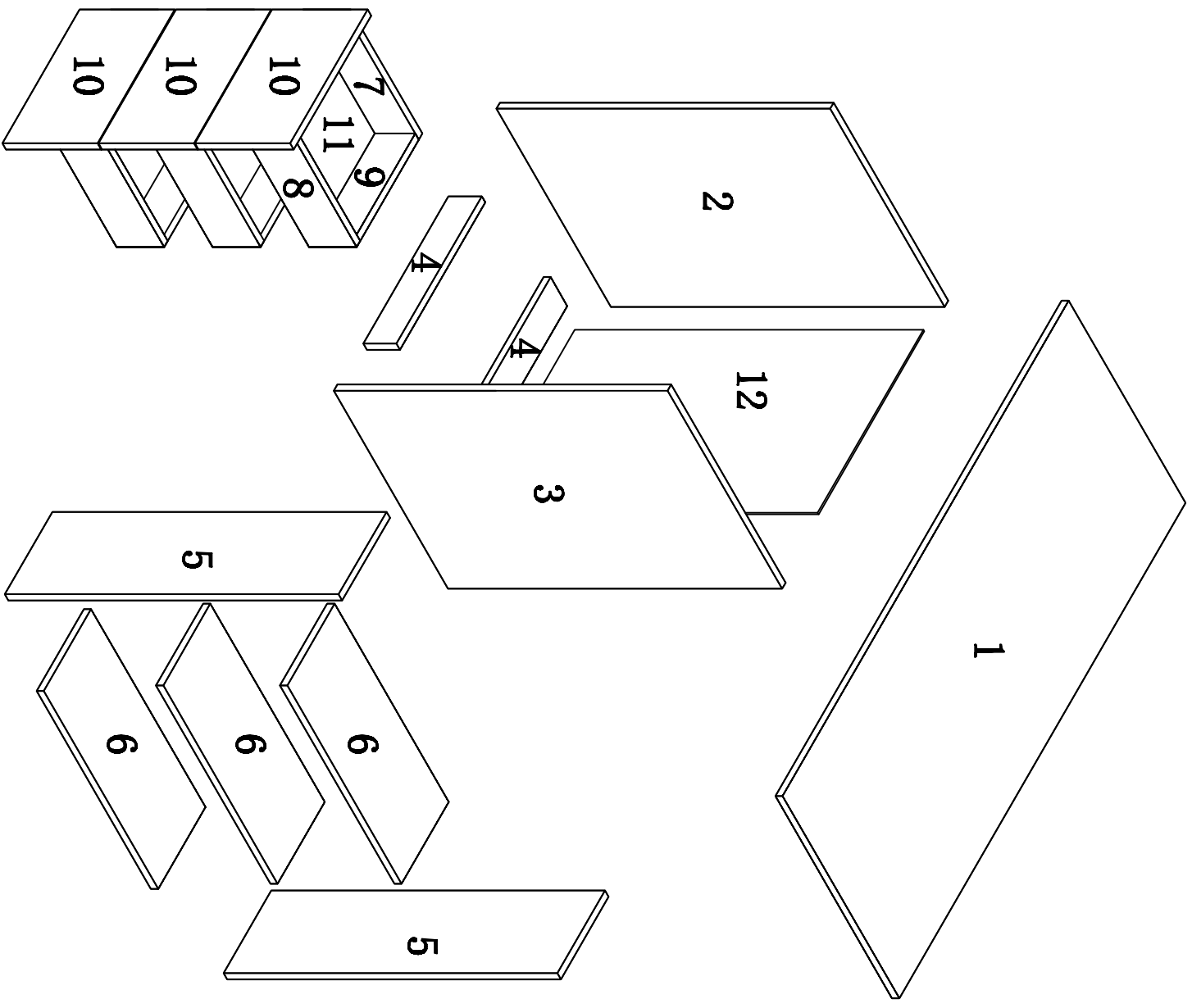
Assembly video please scan the QR code .

Special Warnings:

- * Please check that all parts are present before you start the assembly.
- * For the protection of your furniture, place all parts on a clean and smooth surface to prevent any damage.
- * For cleaning, wipe the surface with a damp (not wet) cloth or wipe dry with a clean lint free cotton cloth. Window cleaning liquid or a similar cleaning liquid can be used to clean the surface.
- * This unit is heavy. Please use an assistant when lifting. Never drag or push the pieces across the floor as this will cause damage to the joints.
- * Keep your furniture out of direct sunlight.

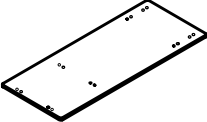
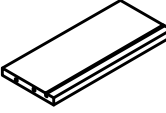
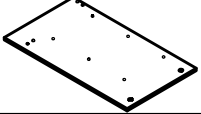
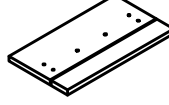
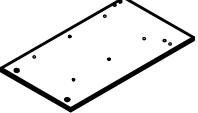
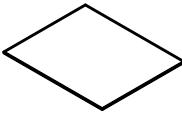
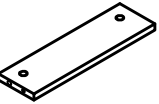
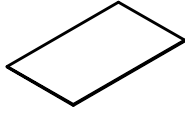
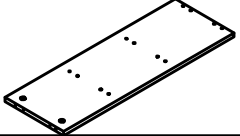
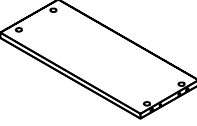
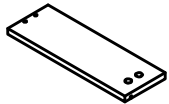
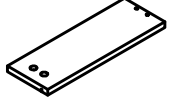
HARDWARE LIST

NO.	DESCRIPTION	QTY
A	 M6X34MM 36	36
B	 M15X12MM 36	36
C	 M6X30MM 24	24
D	 Handle 3	3
E	 M3.5X14MM 36	36
F	 M4X38MM 12	12
G	 Nail Leg 8	8
H	 Nail pin 15	15
I	 M4X18MM 6	6
J	 Outer Drawer Runner - Right 3	3
K	 Outer Drawer Runner - Left 3	3
L	 Inner Drawer Runner - Right 3	3
M	 Inner Drawer Runner - Left 3	3



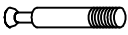
PARTS LIST

PARTS LIST

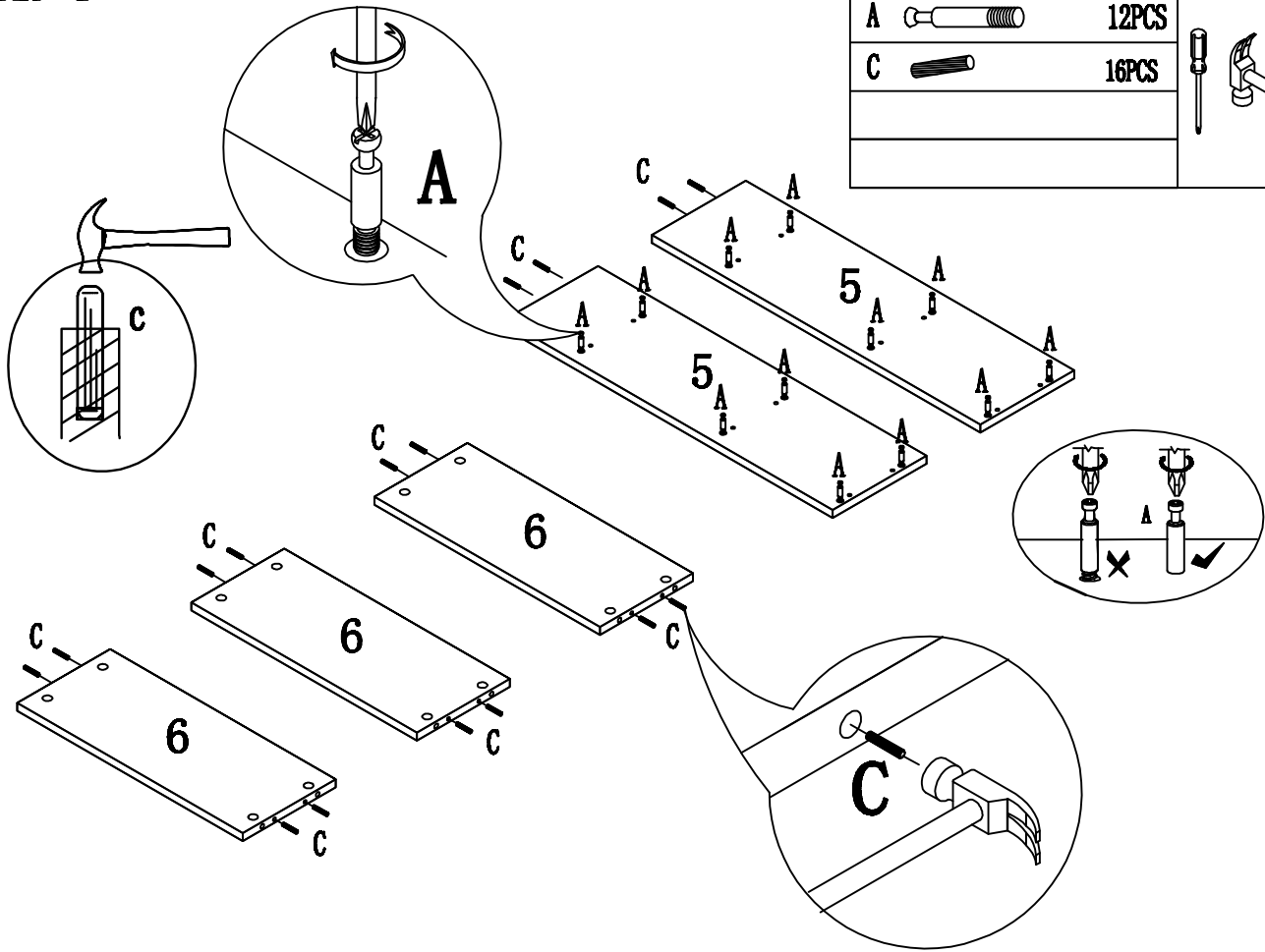
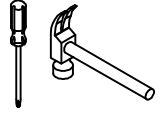
NO.	DESCRIPTION	QTY	NO.	DESCRIPTION	QTY
1		1	9		3
	1200MM*500MM*15MM			276MM*120MM*15MM	
2		1	10		3
	700MM*394MM*15MM			360MM*200MM*15MM	
3		1	11		3
	700MM*394MM*15MM			286MM*345MM*3MM	
4		2	12		1
	332MM*95MM*15MM			610MM*362MM*3MM	
5		2			
	700MM*240MM*15MM				
6		3			
	368MM*238MM*15MM				
7		3			
	350MM*120MM*15MM				
8		3			
	350MM*120MM*15MM				

STEP 1

HARDWARE LIST

A  12PCS

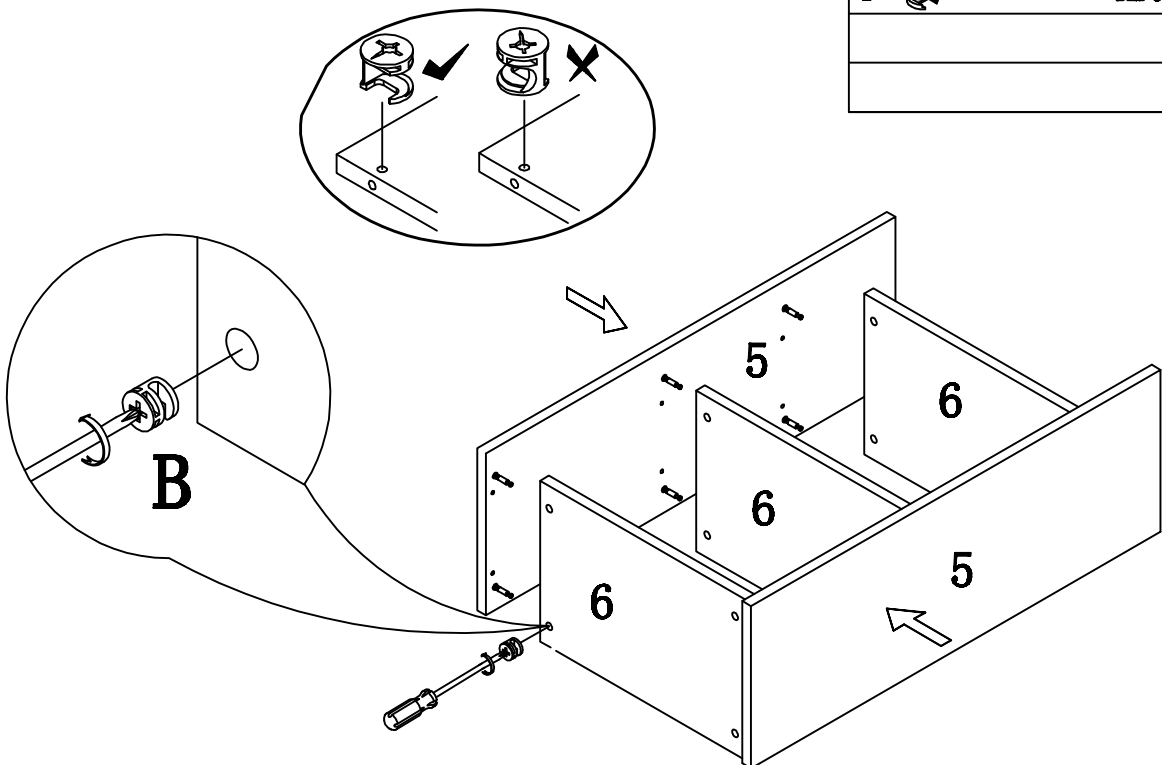
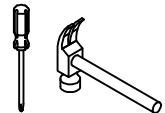
C  16PCS



STEP 2


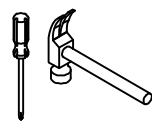
HARDWARE LIST

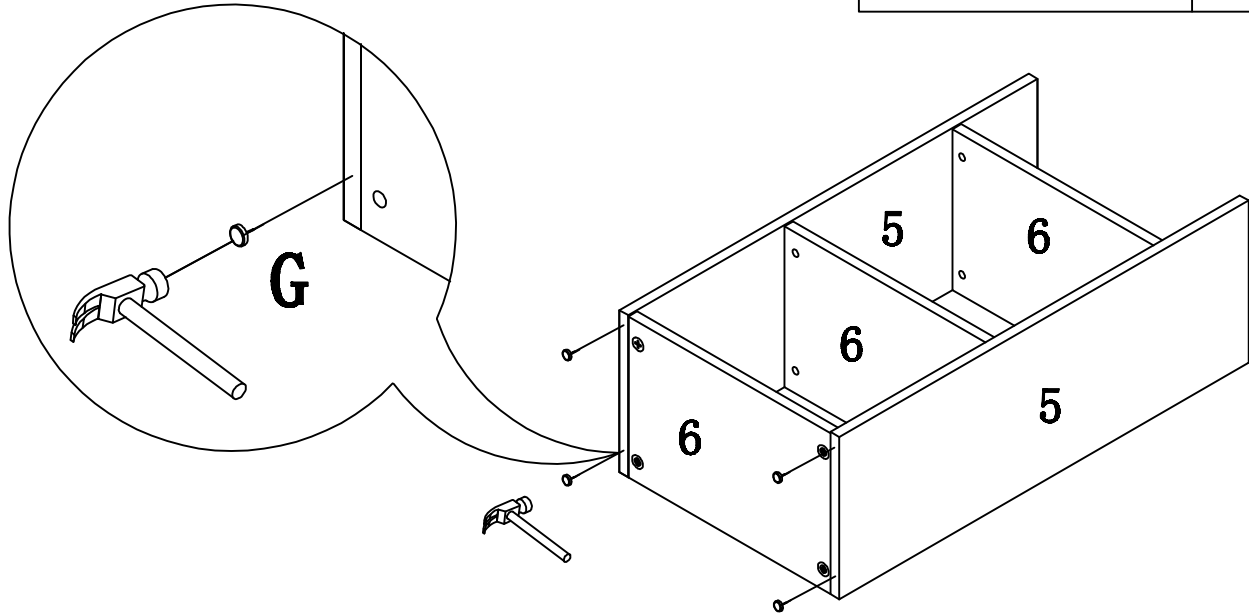
B  12PCS



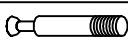
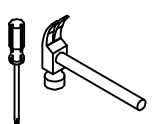




STEP 3

HARDWARE LIST

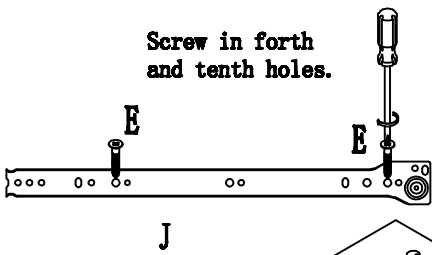
G		4PCS	



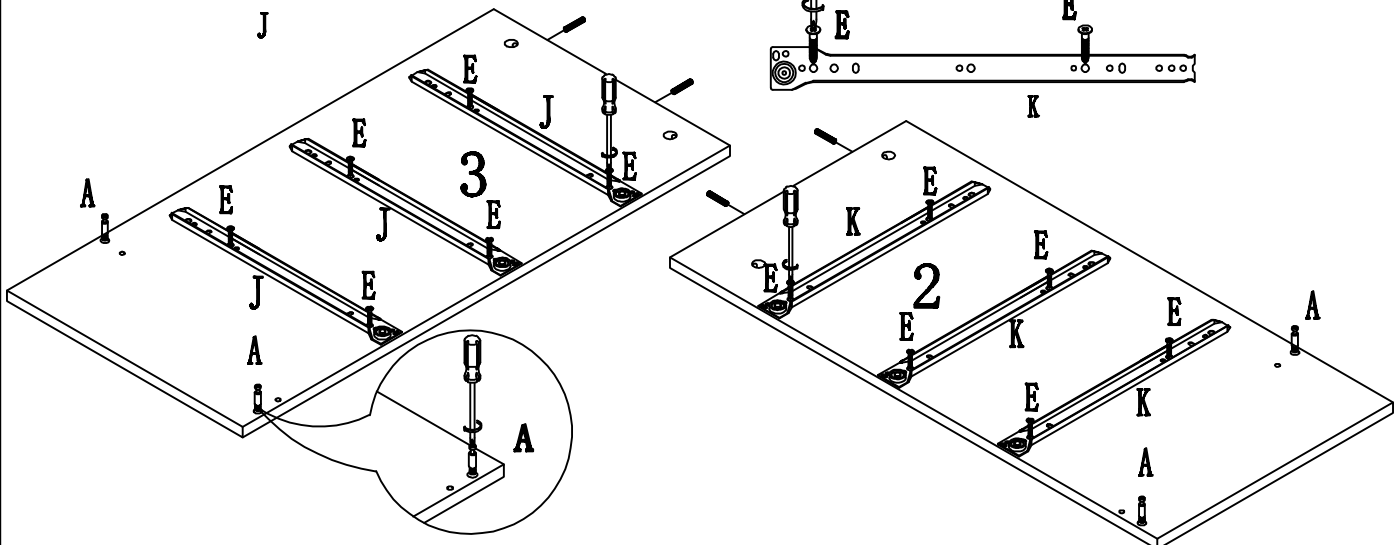
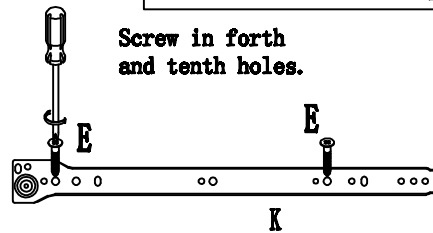
STEP 4

A		4PCS	
E		M3.5 12PCS	
J		3PCS	
K		3PCS	
C		4	

Screw in forth and tenth holes.





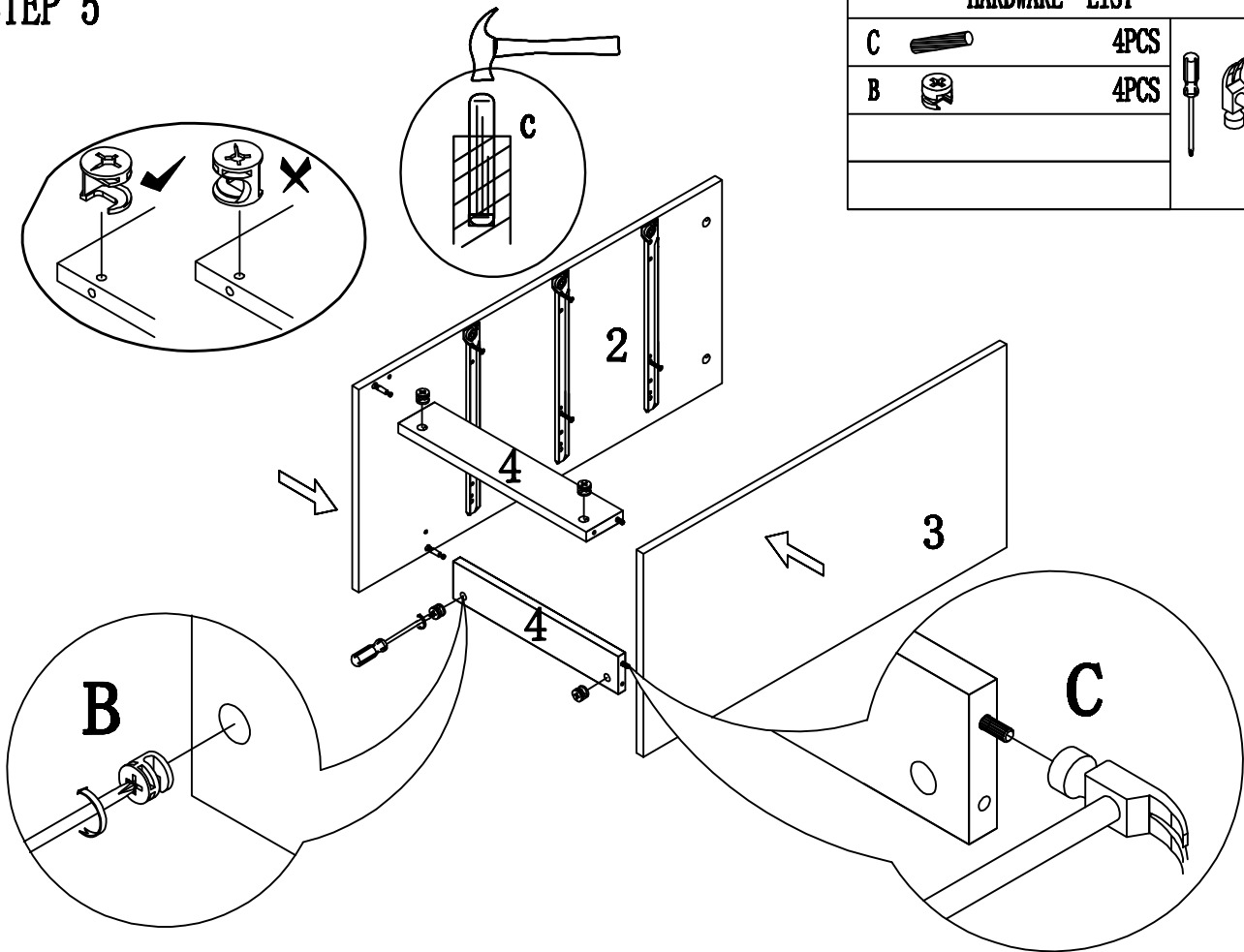
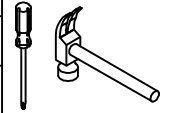
Screw in forth and tenth holes.



STEP 5

HARDWARE LIST

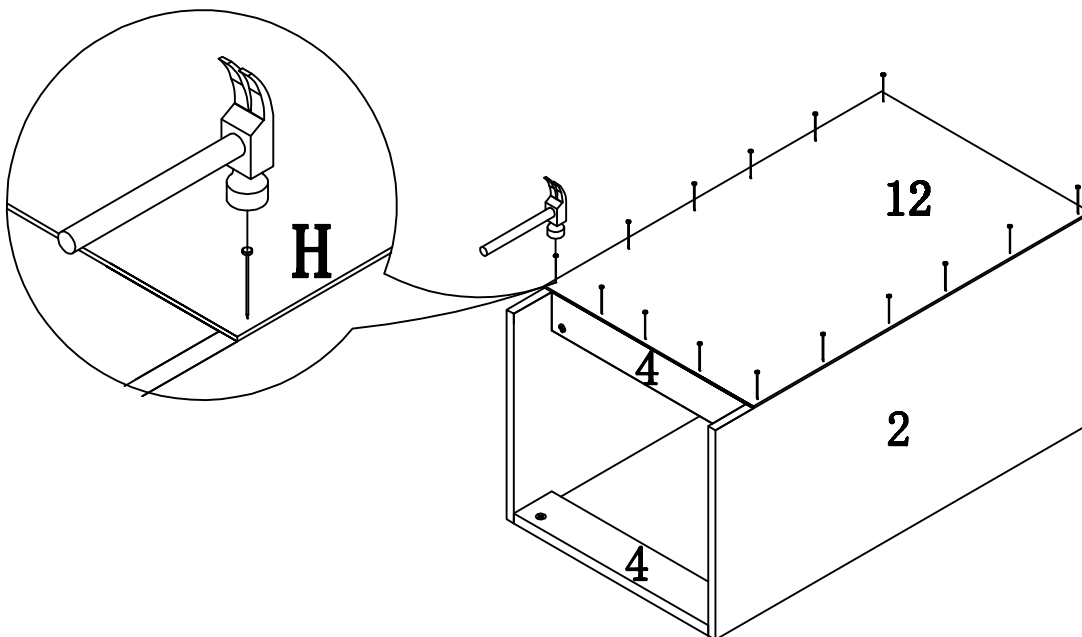
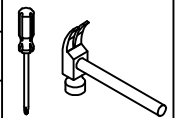
C		4PCS
B		4PCS



STEP 6

HARDWARE LIST

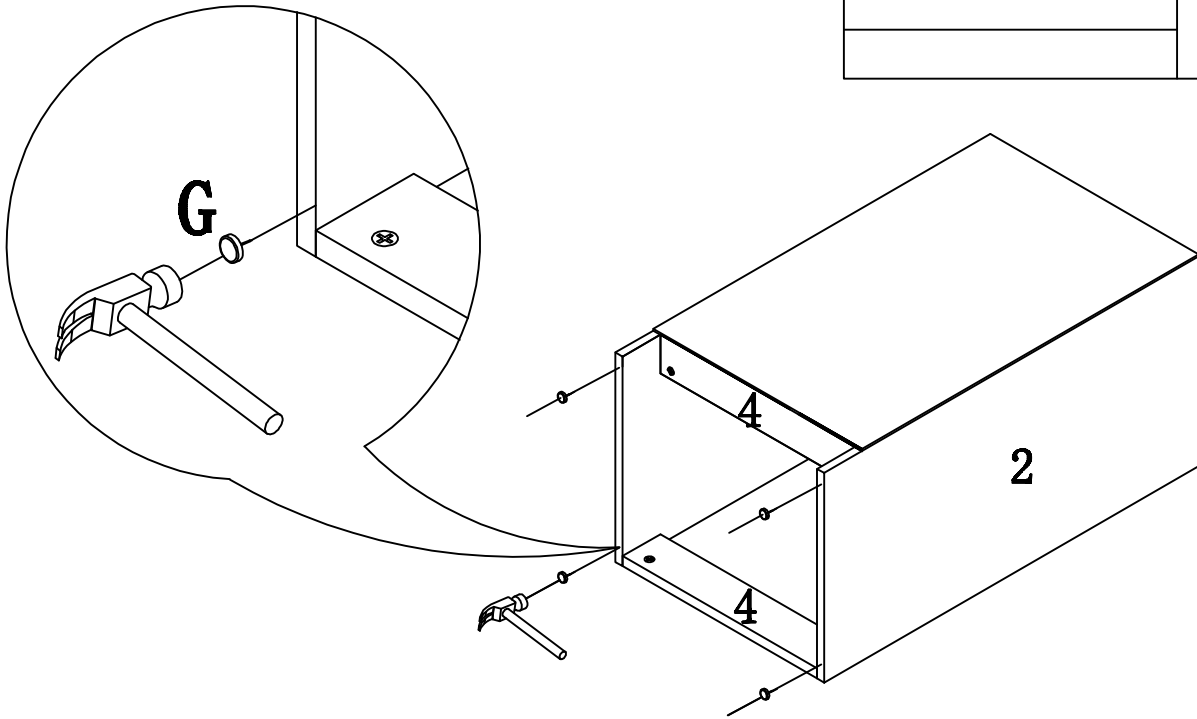
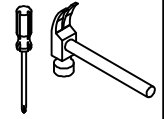
H		15PCS
---	---	-------



STEP 7

HARDWARE LIST

G  **4PCS**

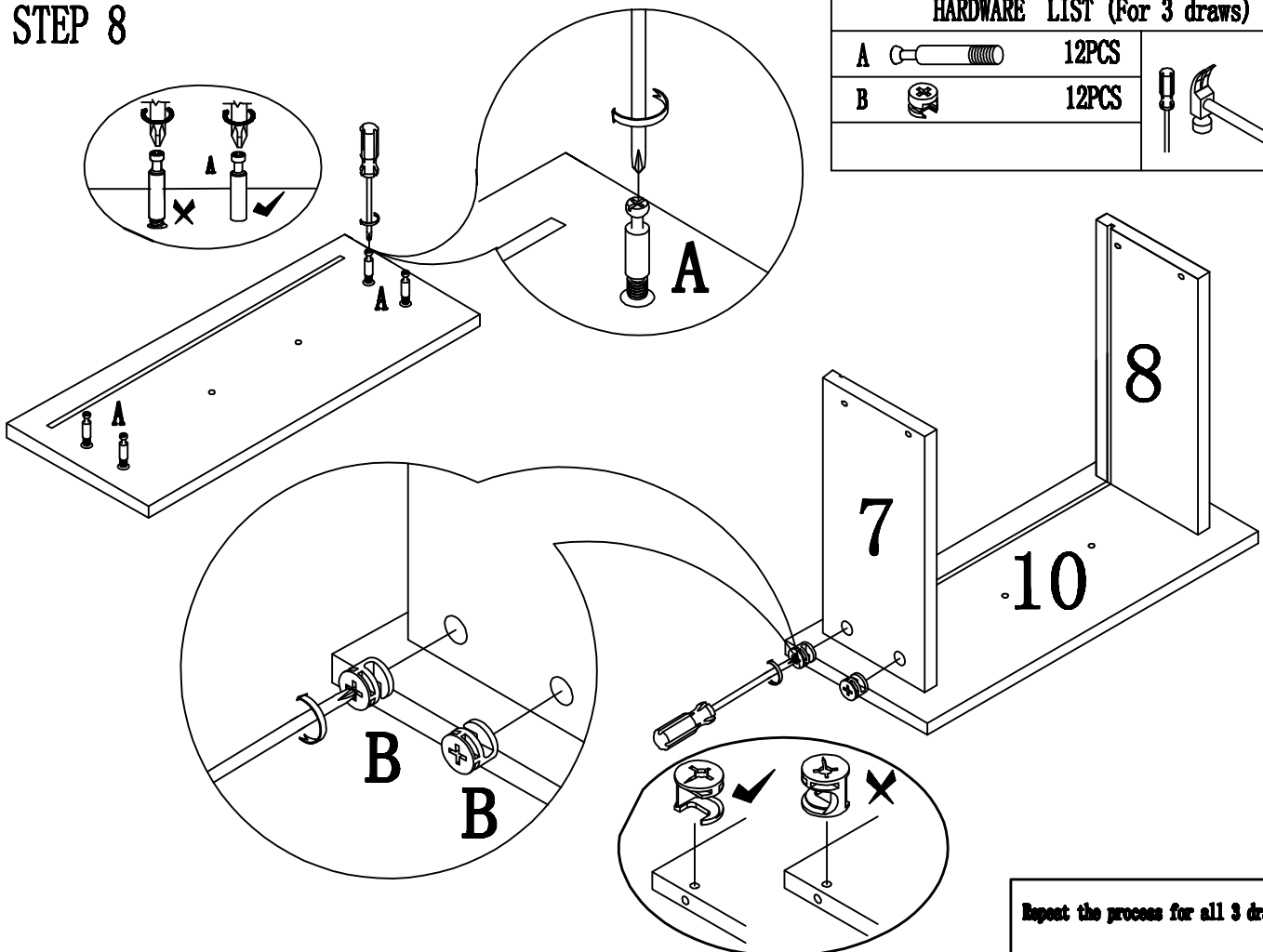
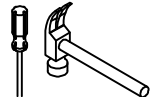


STEP 8

HARDWARE LIST (For 3 draws)

A  **12PCS**

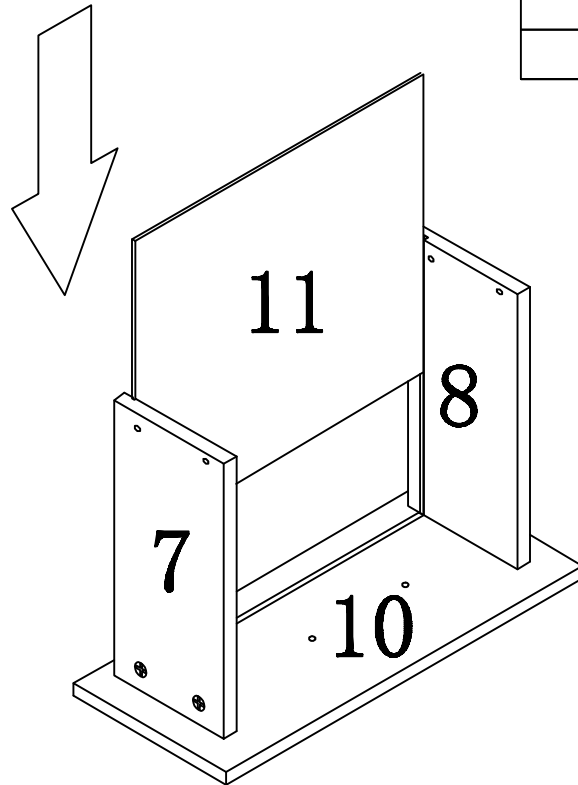
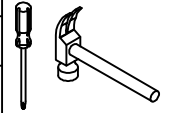
B  **12PCS**



Repeat the process for all 3 draws

STEP 9

HARDWARE LIST (For 3 draws)

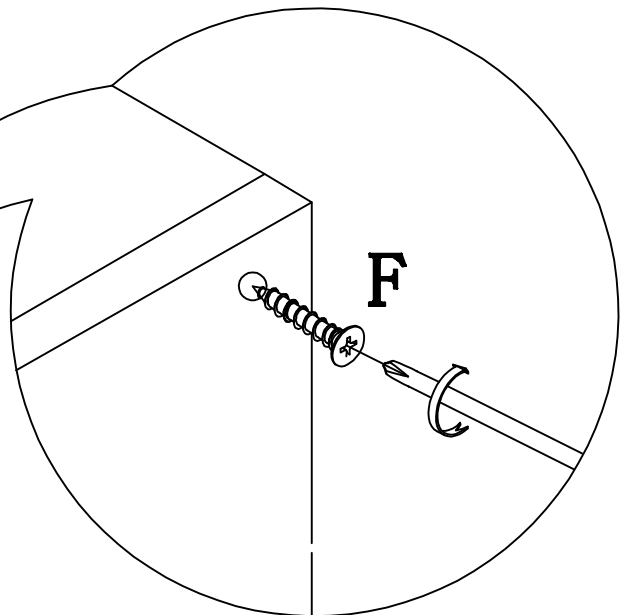
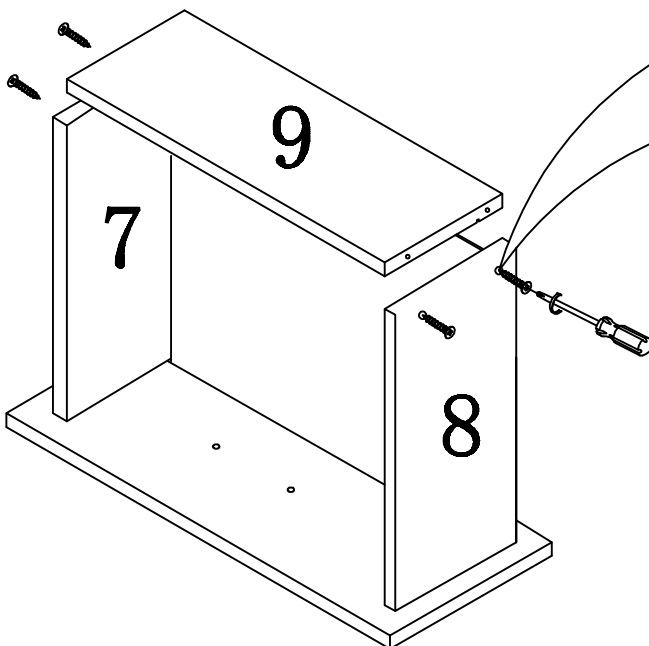
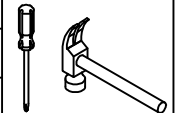


Repeat the process for all 3 draws

STEP 10

HARDWARE LIST (For 3 draws)

F  4M 12PCS



Repeat the process for all 3 draws

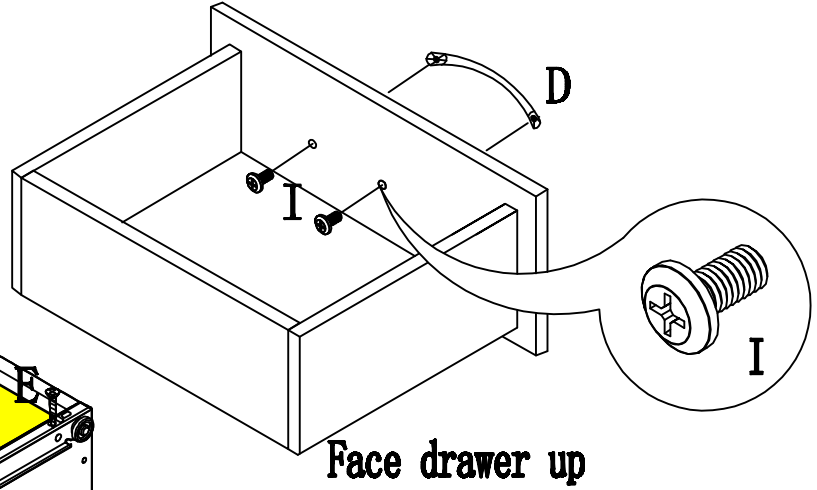
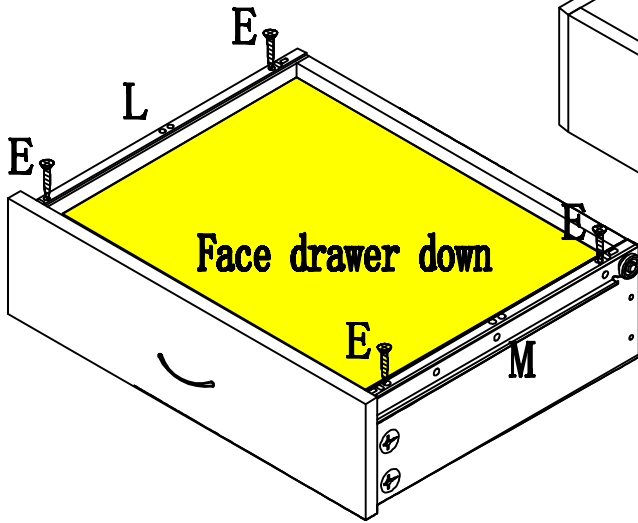
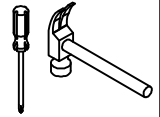
STEP 11



Pls turn the drawer upside down to fit the runners and make sure the runner wheels go at the **BACK** of the drawers, failure to assemble correct way will misalign the drawers.

HARDWARE LIST

E		M3.5	12PCS
I			6PCS
D			3PCS
L			3PCS
M			3PCS



LAST THIRD HOLE

E

THIRD HOLE

E

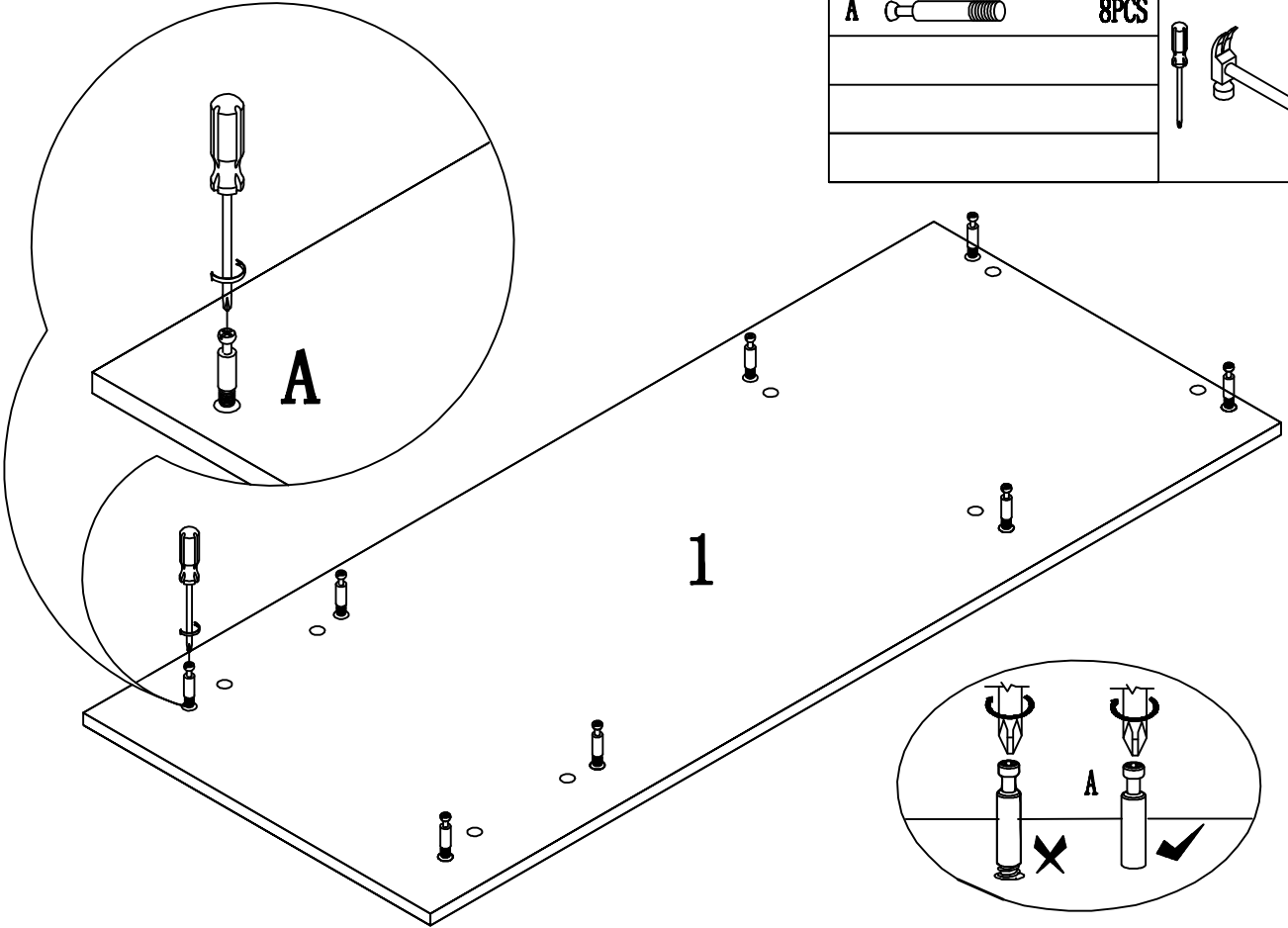
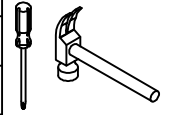
M

(X3)

STEP 12


HARDWARE LIST

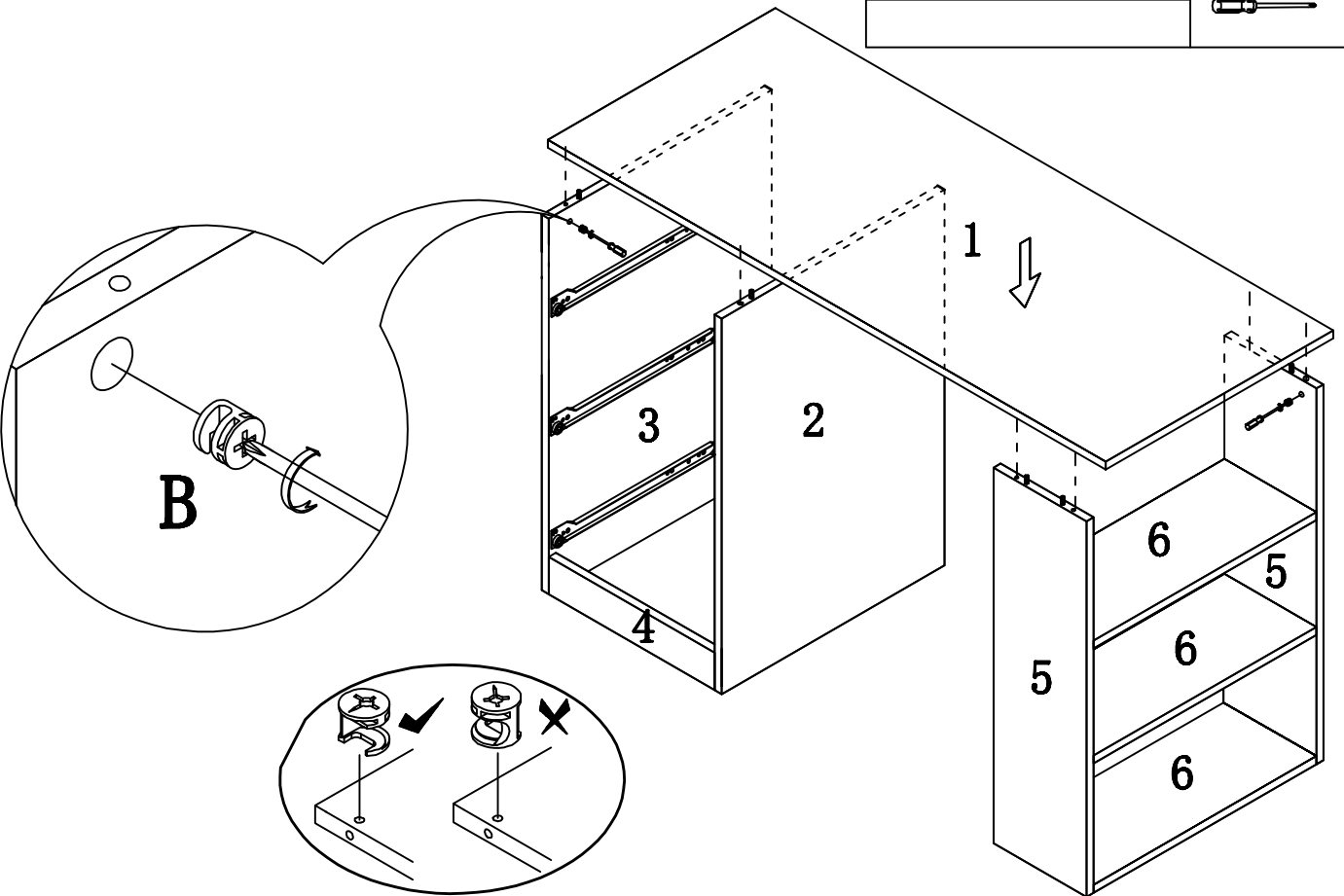
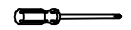
A  8PCS



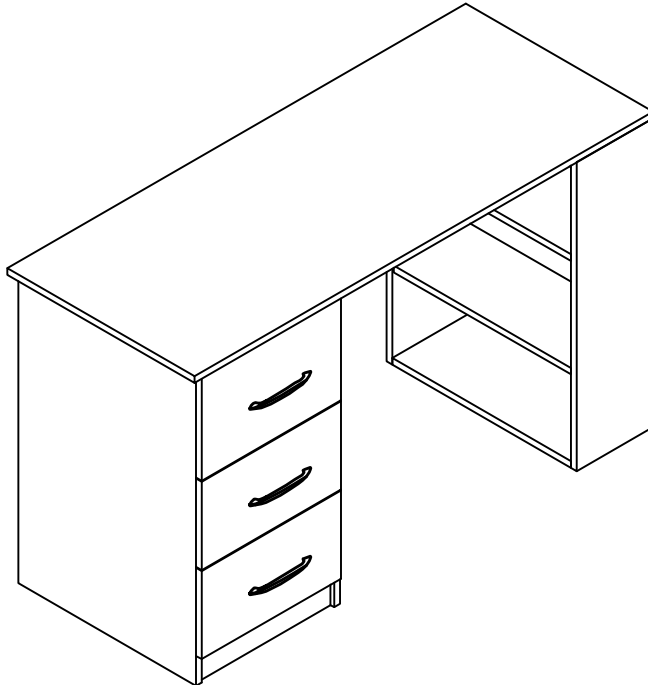
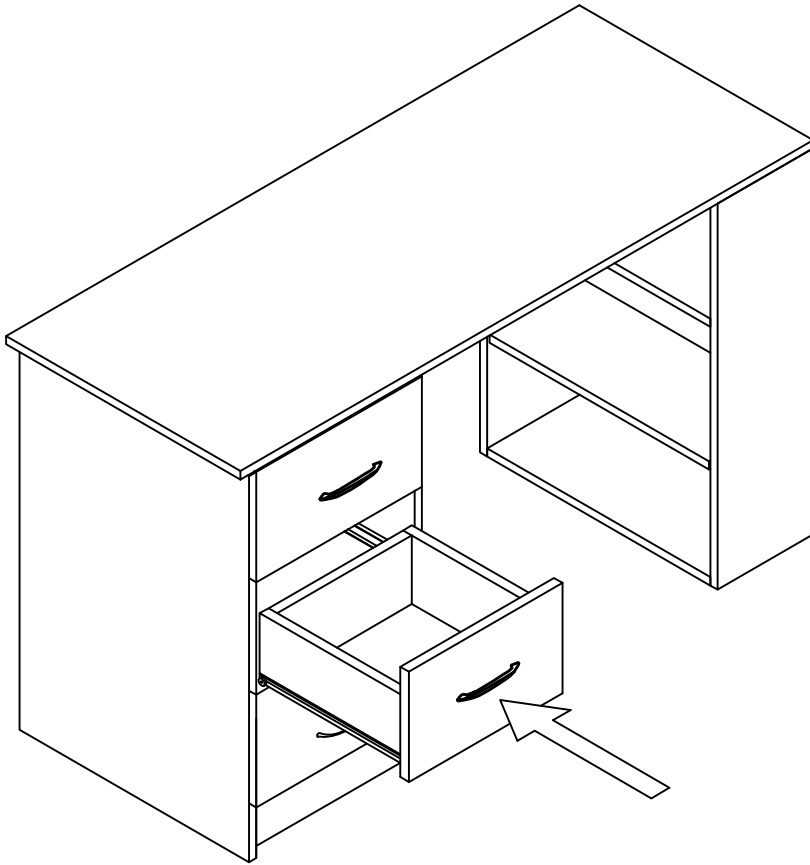
STEP 13

HARDWARE LIST

B  8PCS



STEP 14



OK



001-877-644-9366
customerservice@aosom.com



0044-800-240-4004
enquiries@mhstar.co.uk