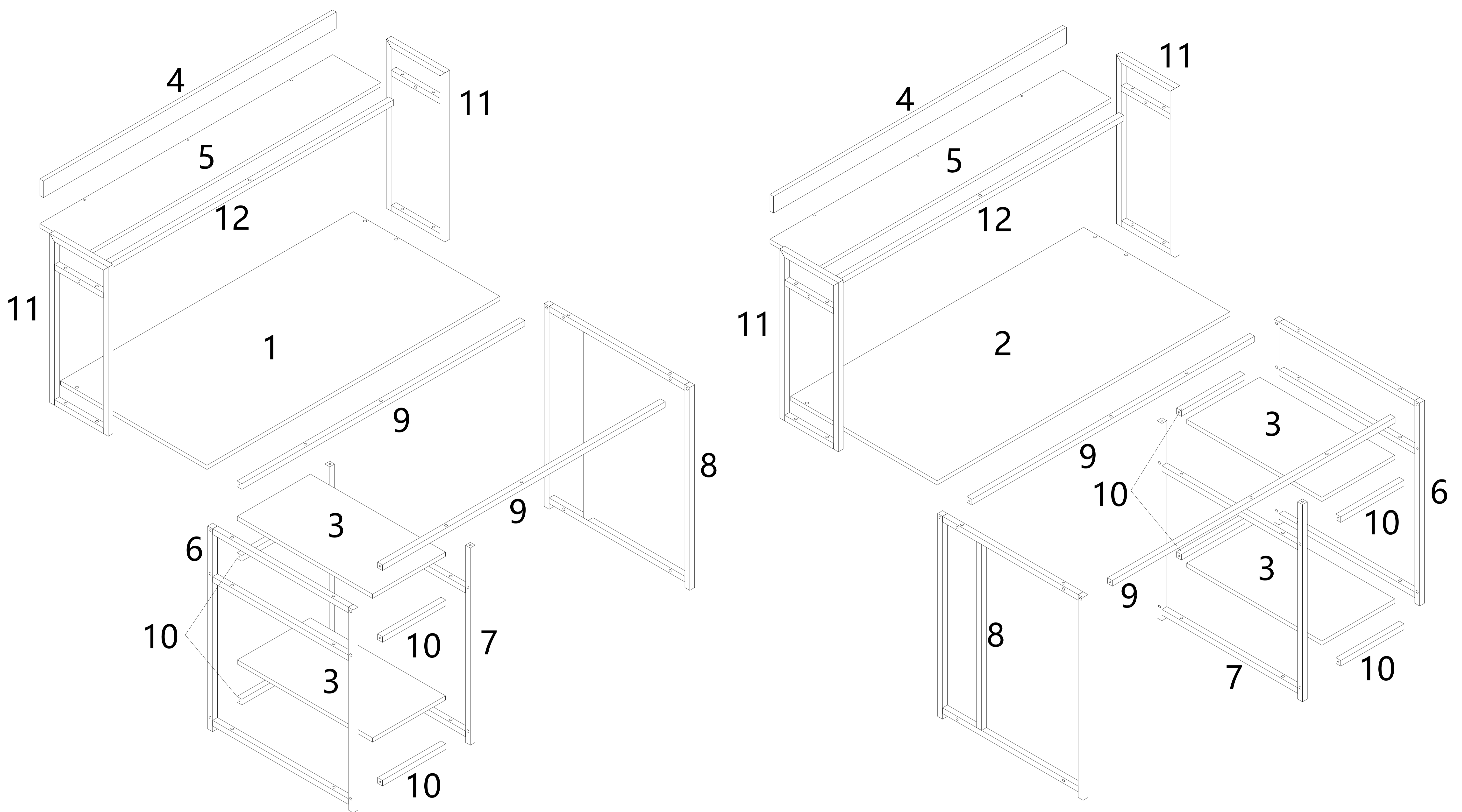


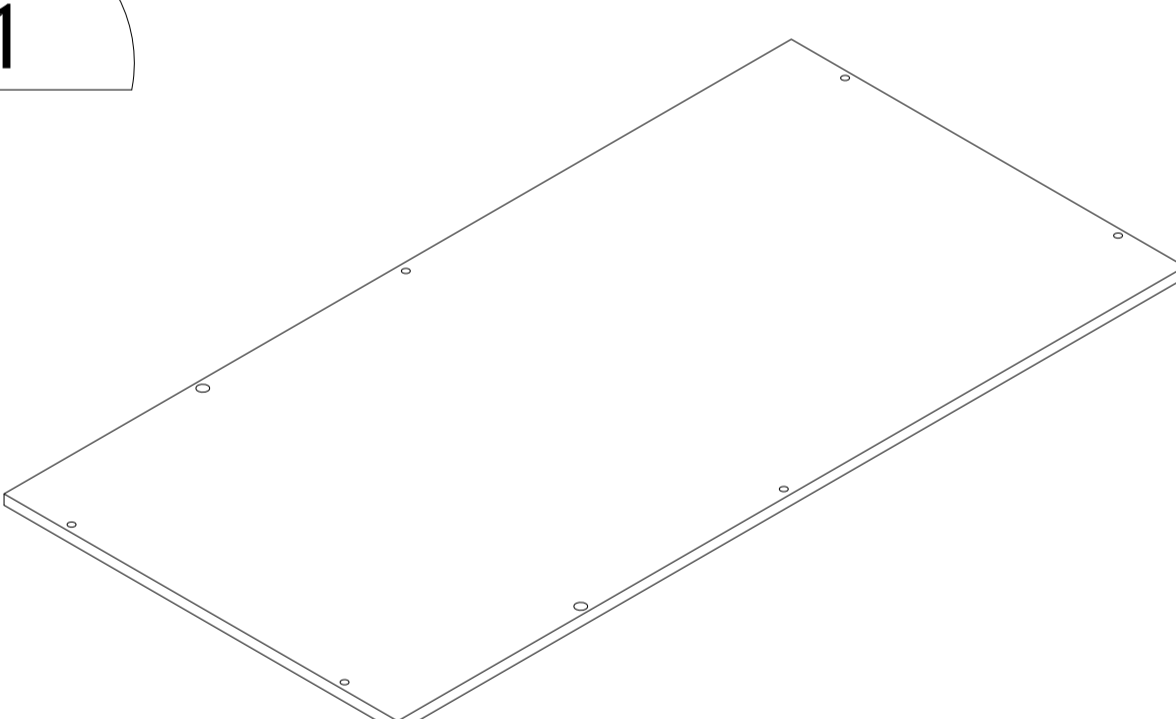
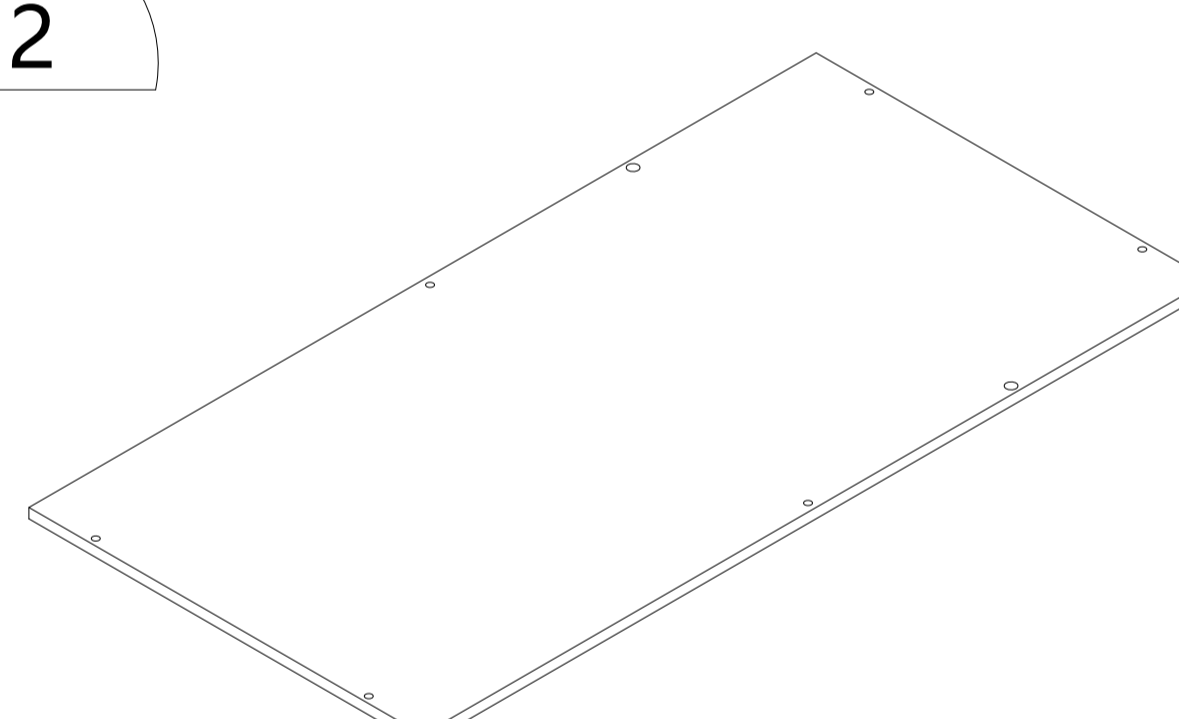
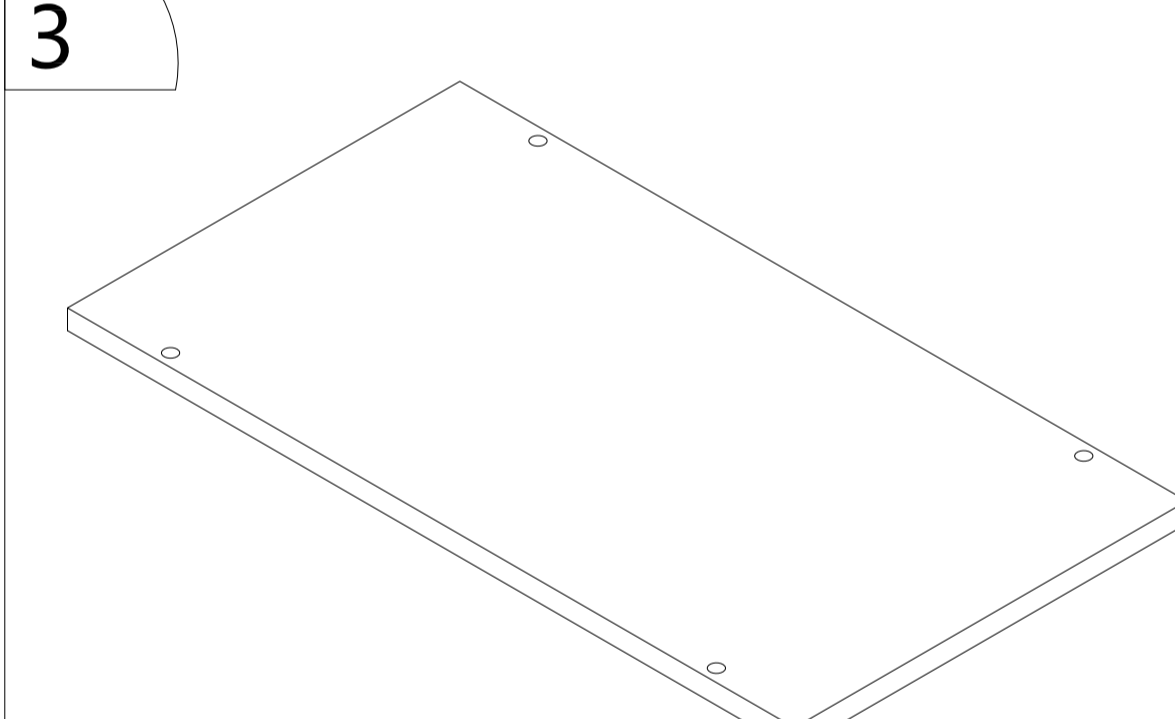
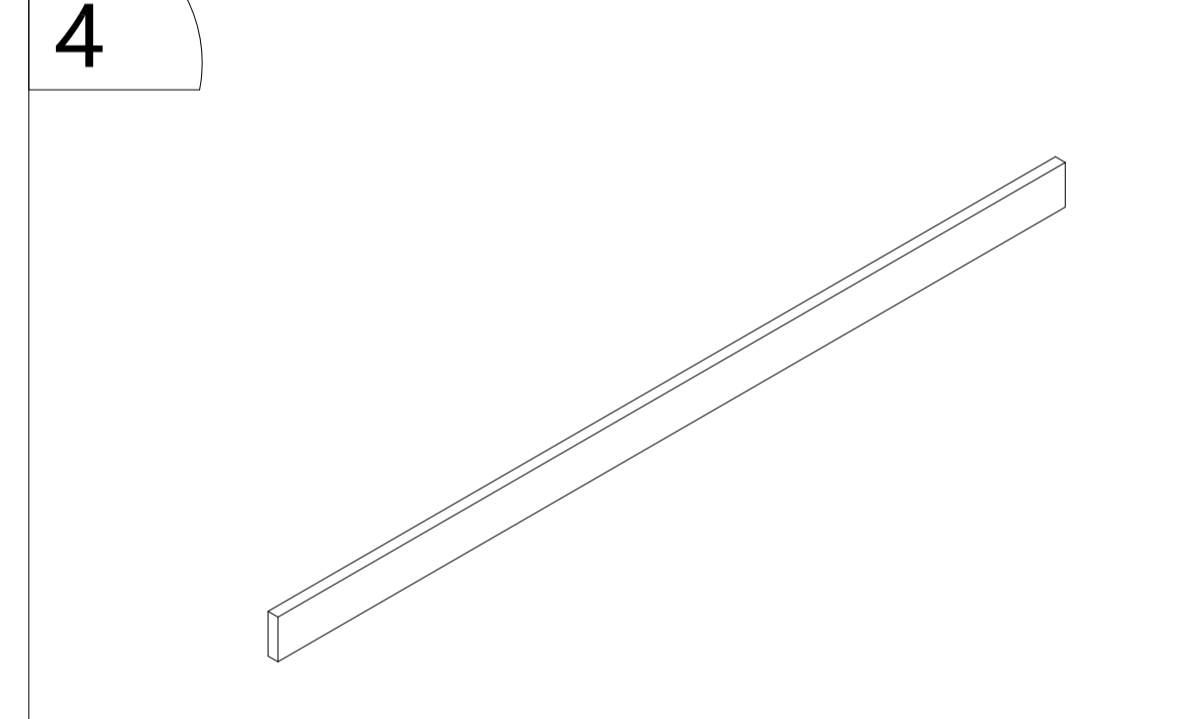
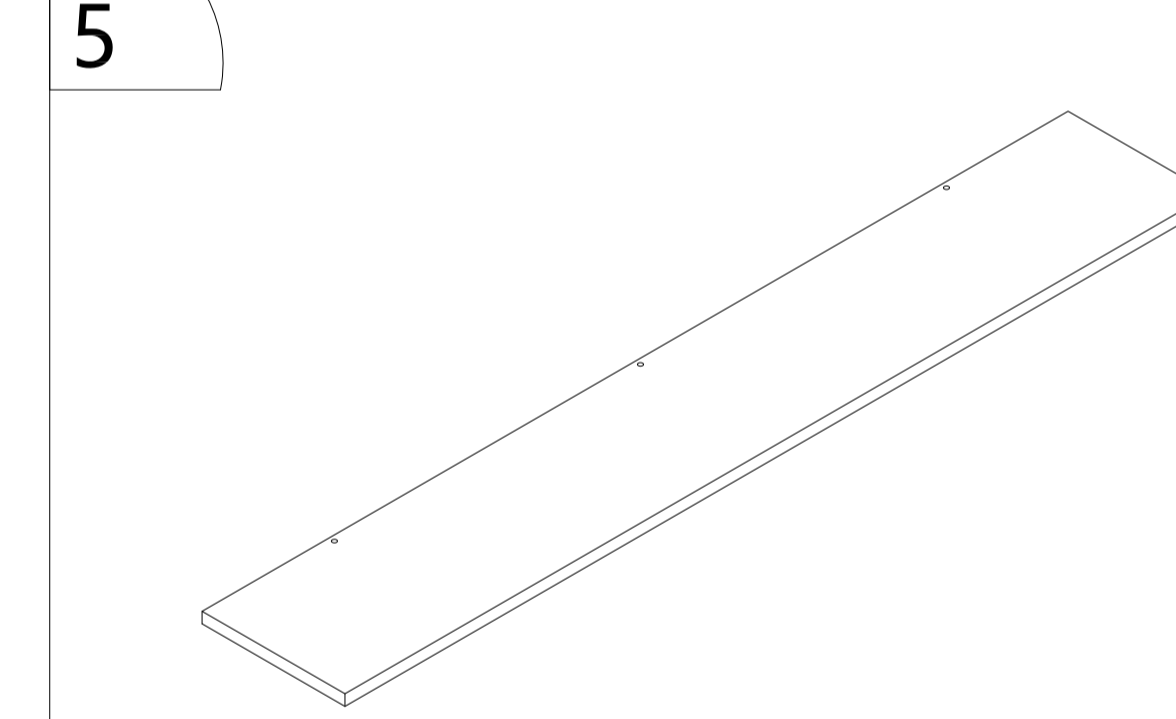
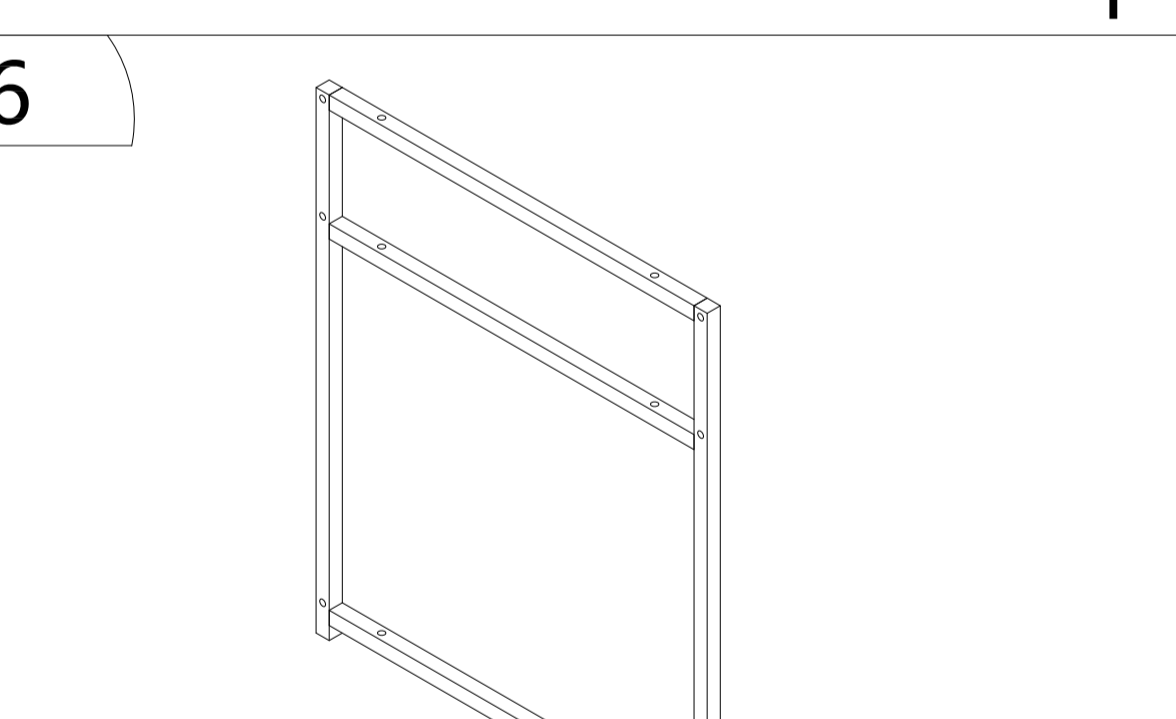
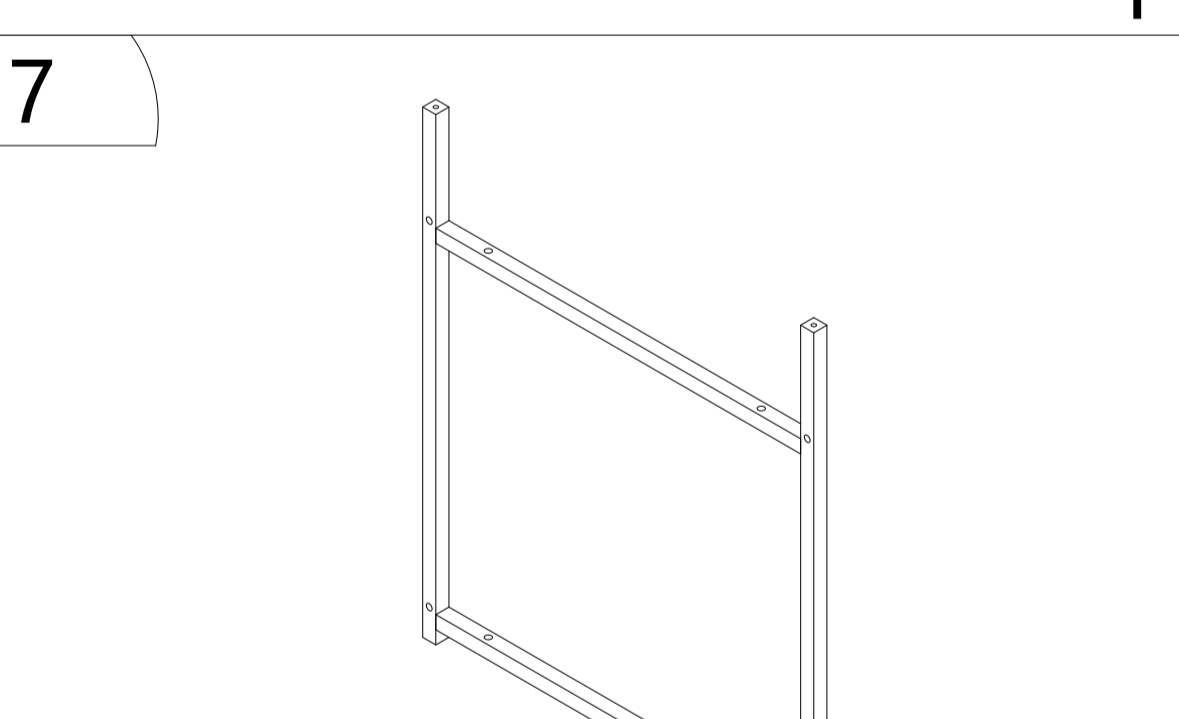
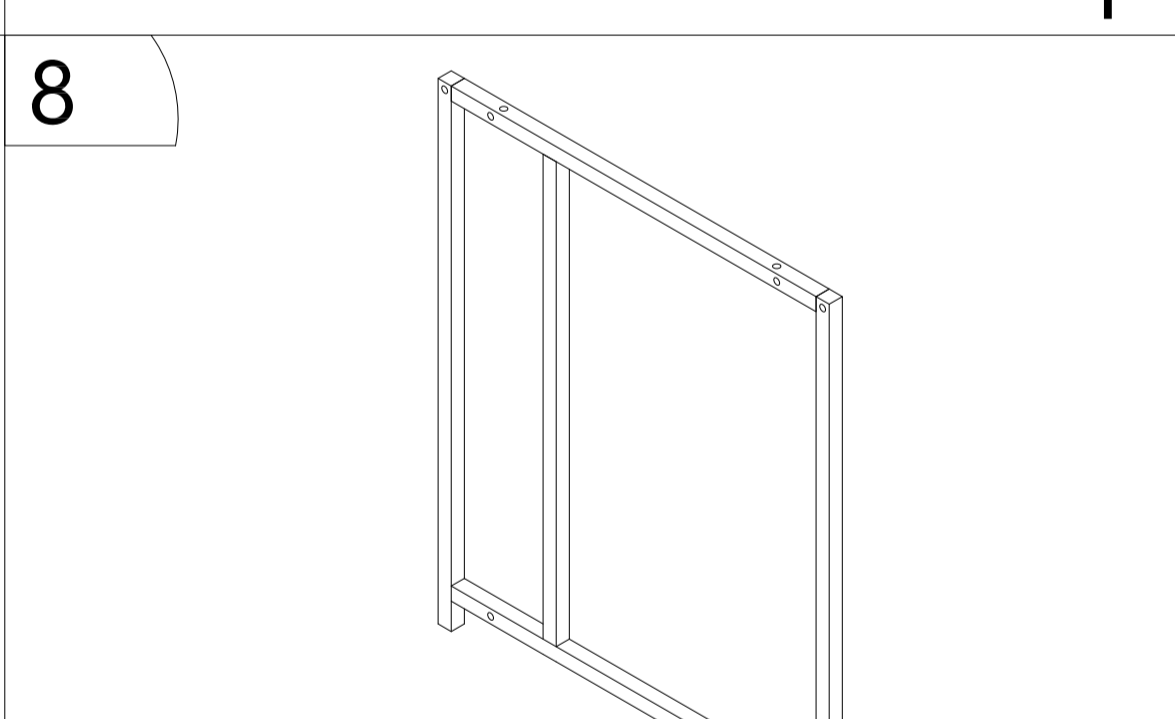

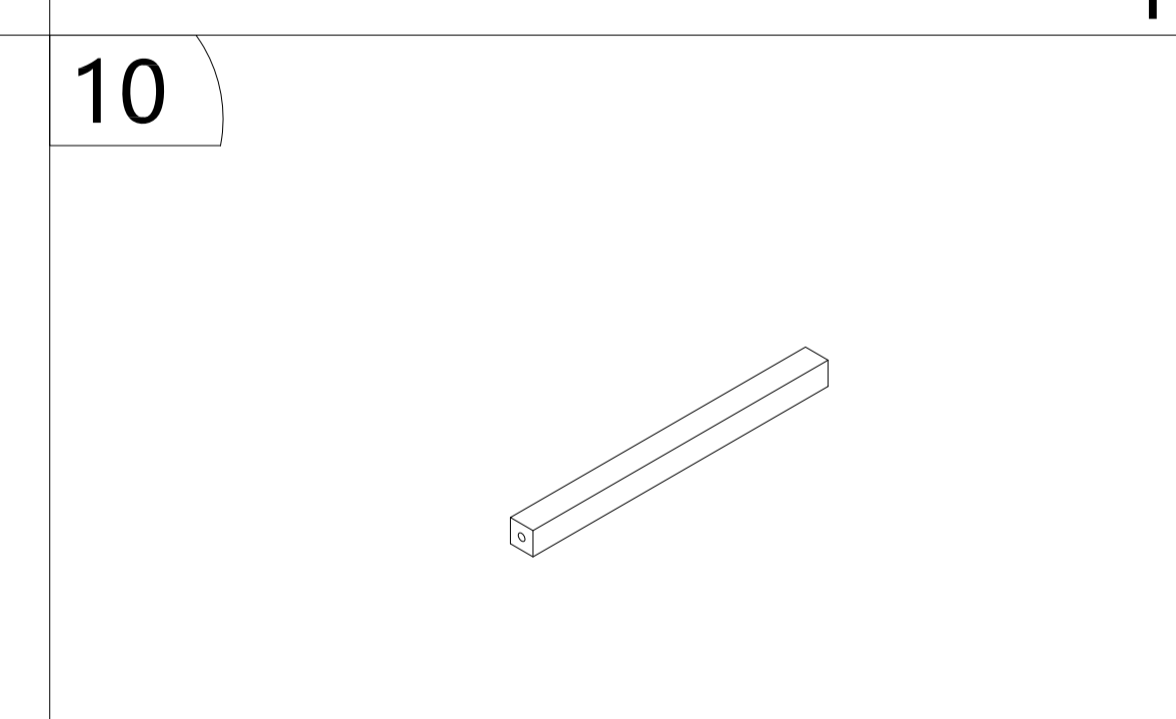
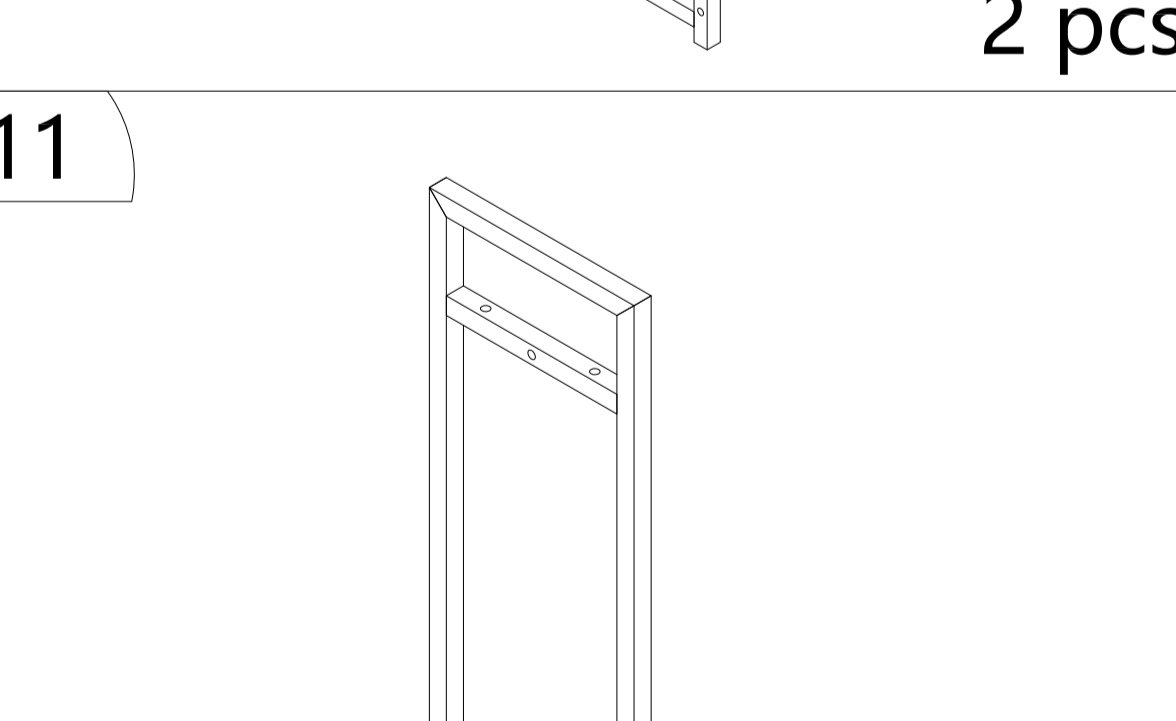
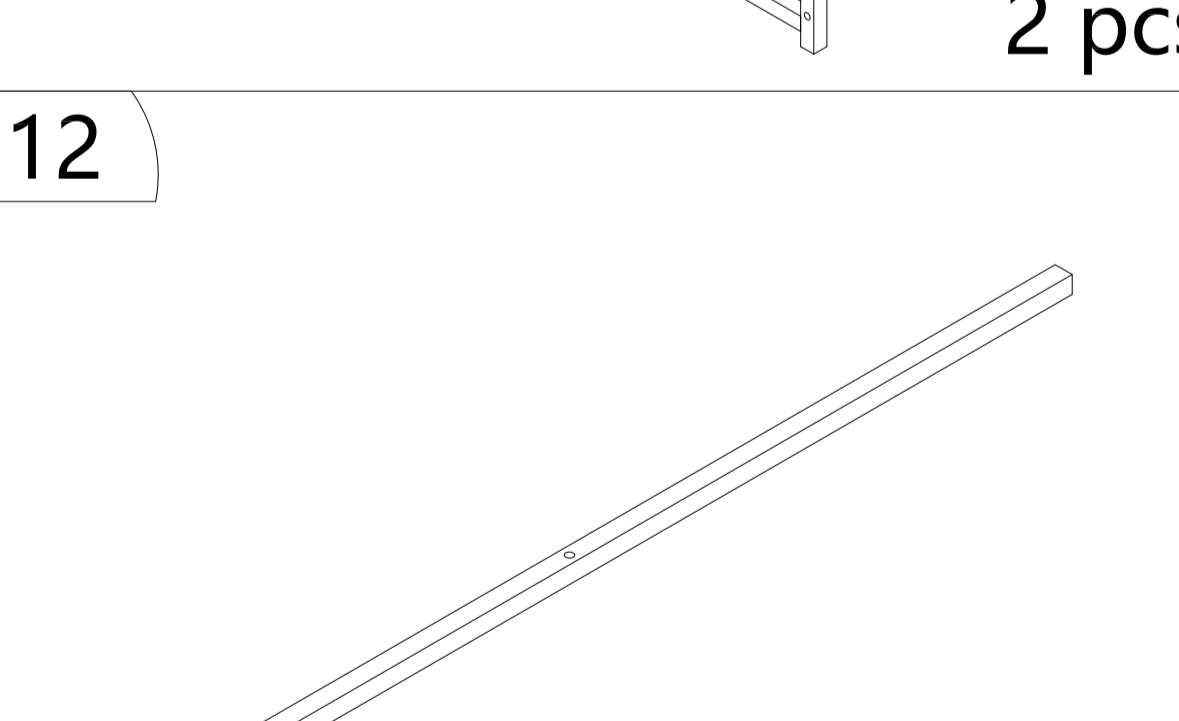
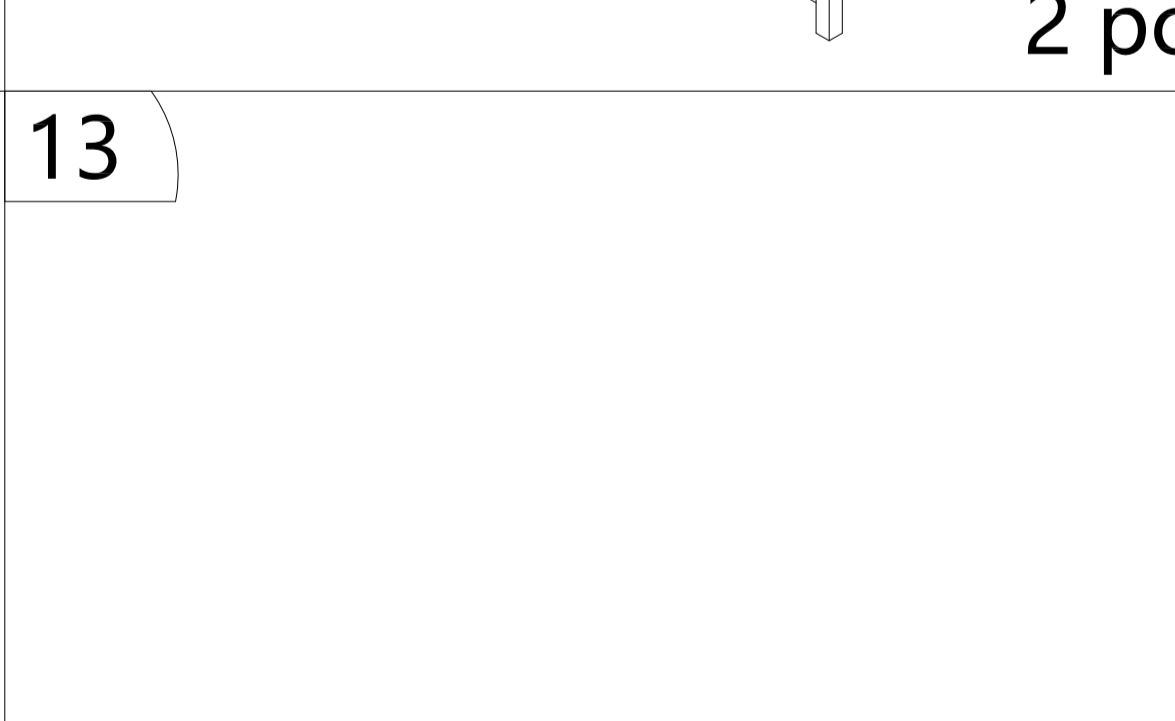
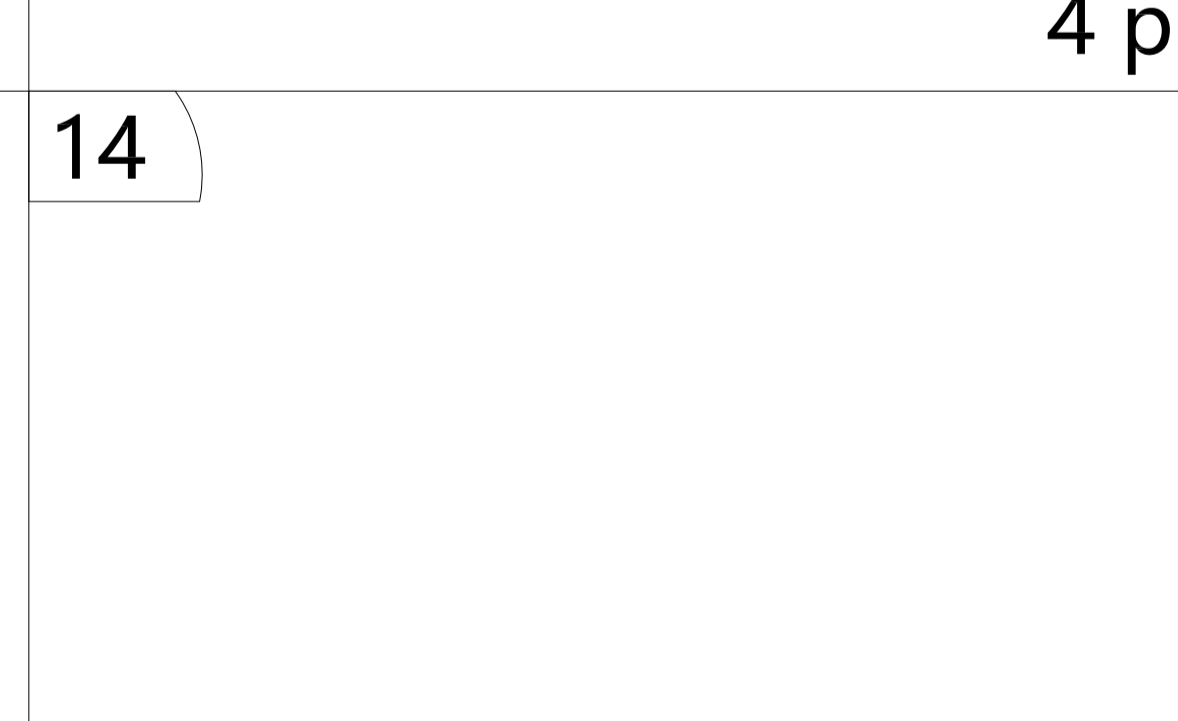
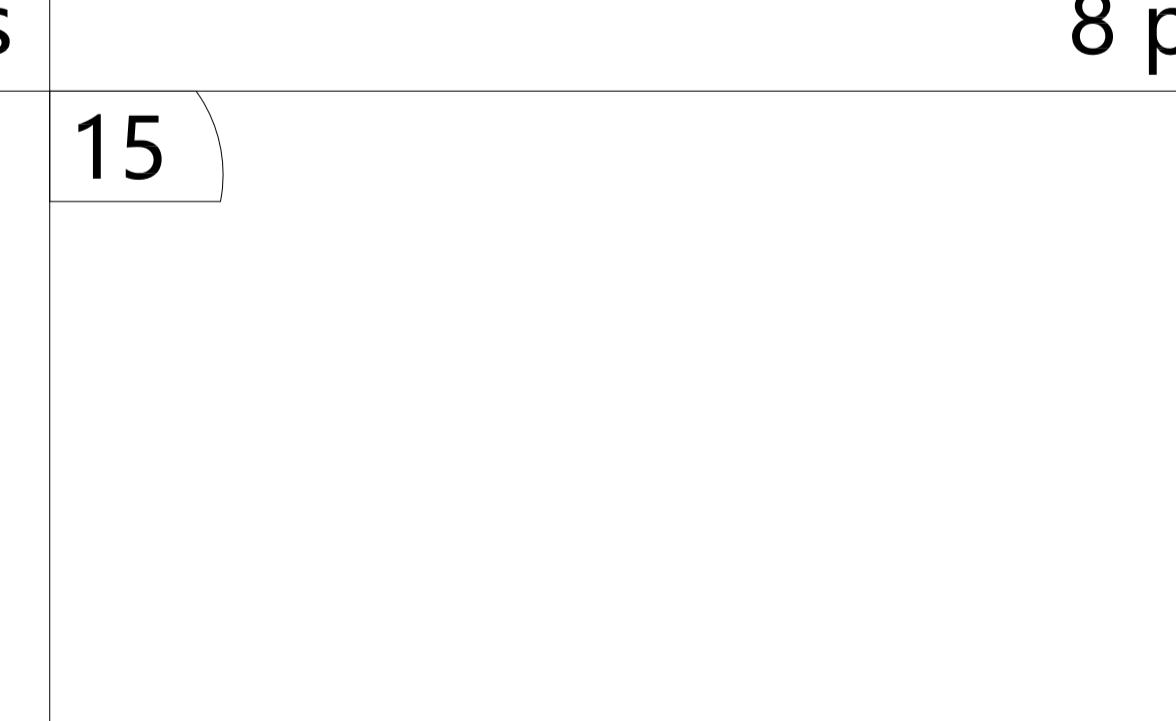
Please read these instructions and warranty information carefully before use and keep them properly for future reference.

# ASSEMBLY INSTRUCTION

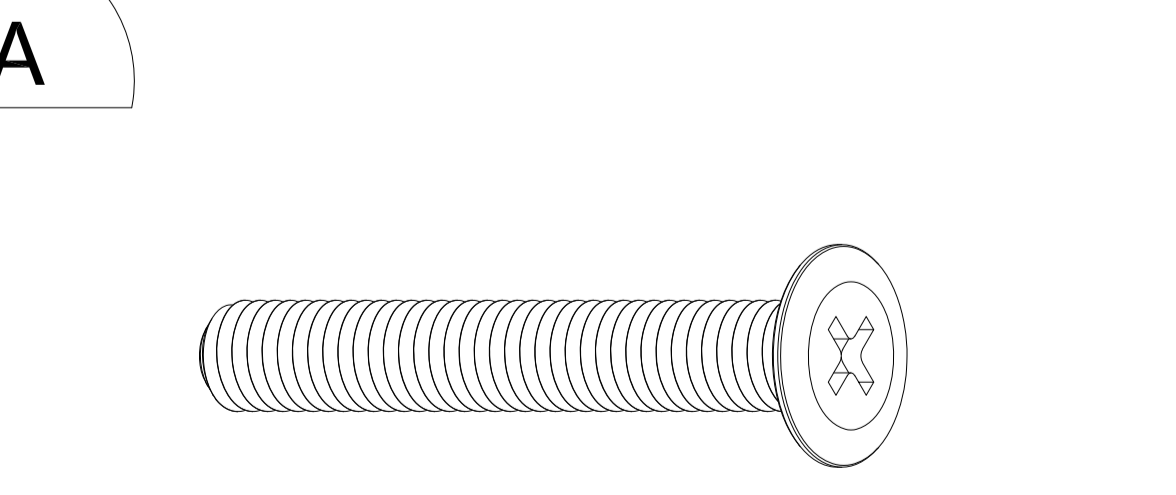
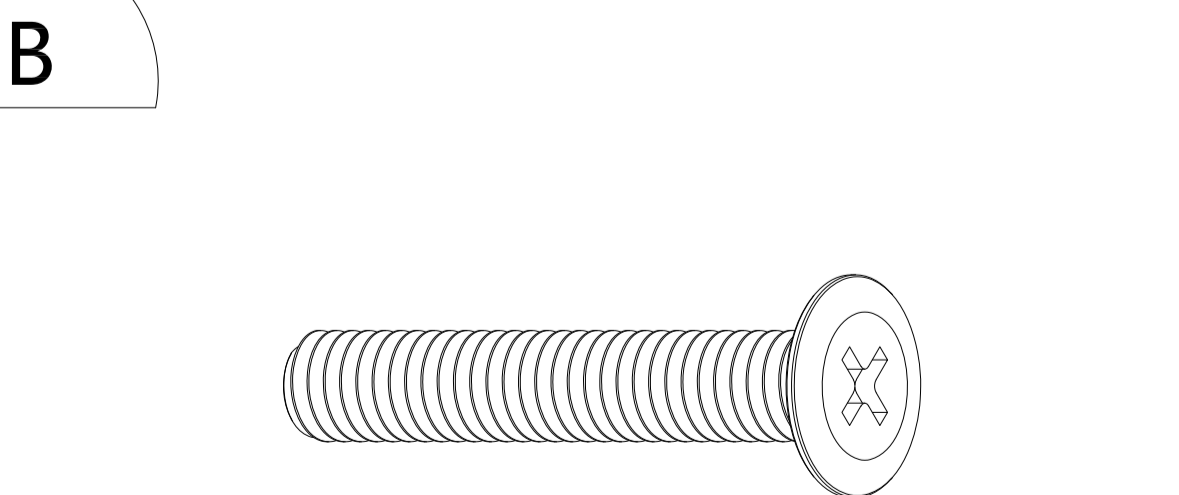
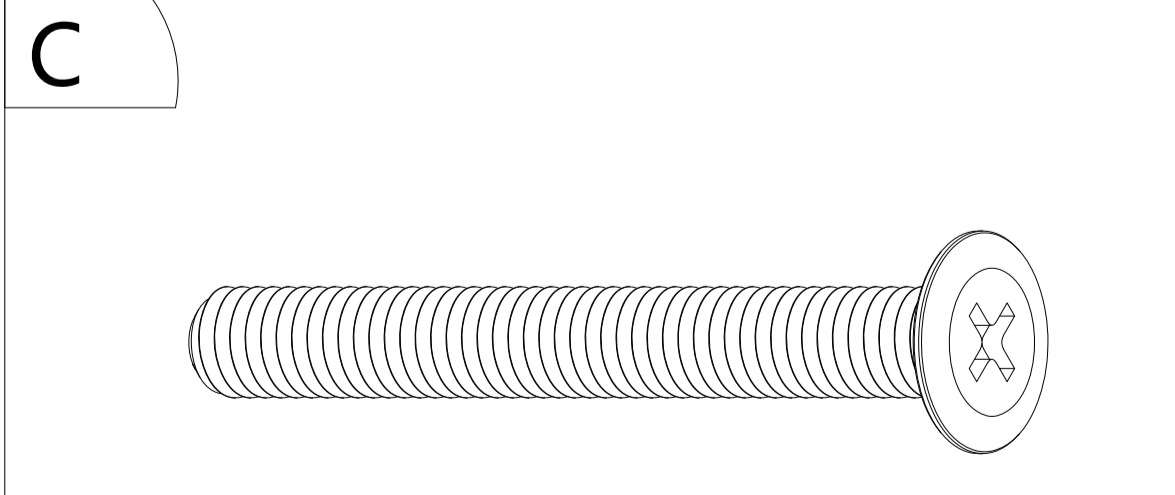
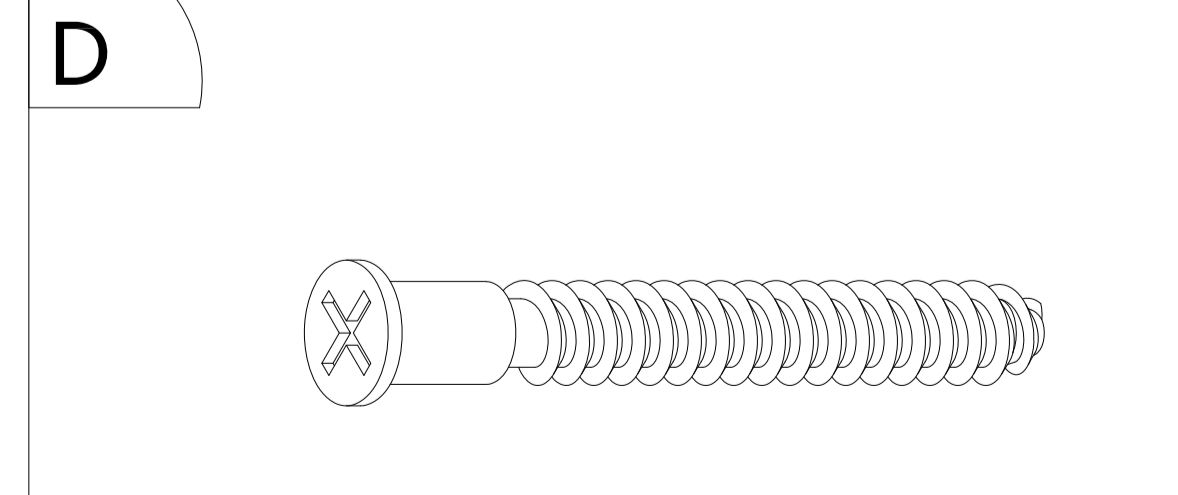
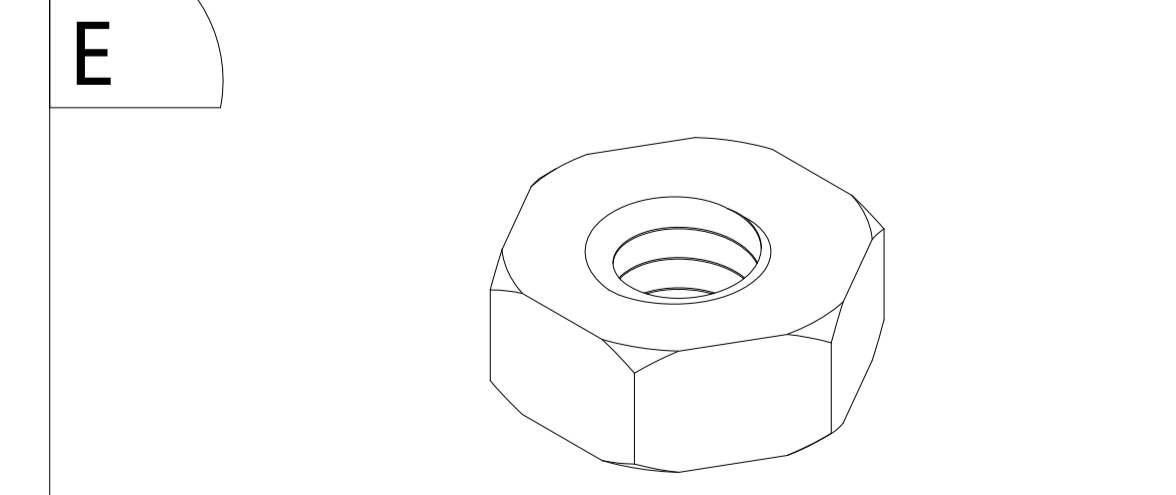
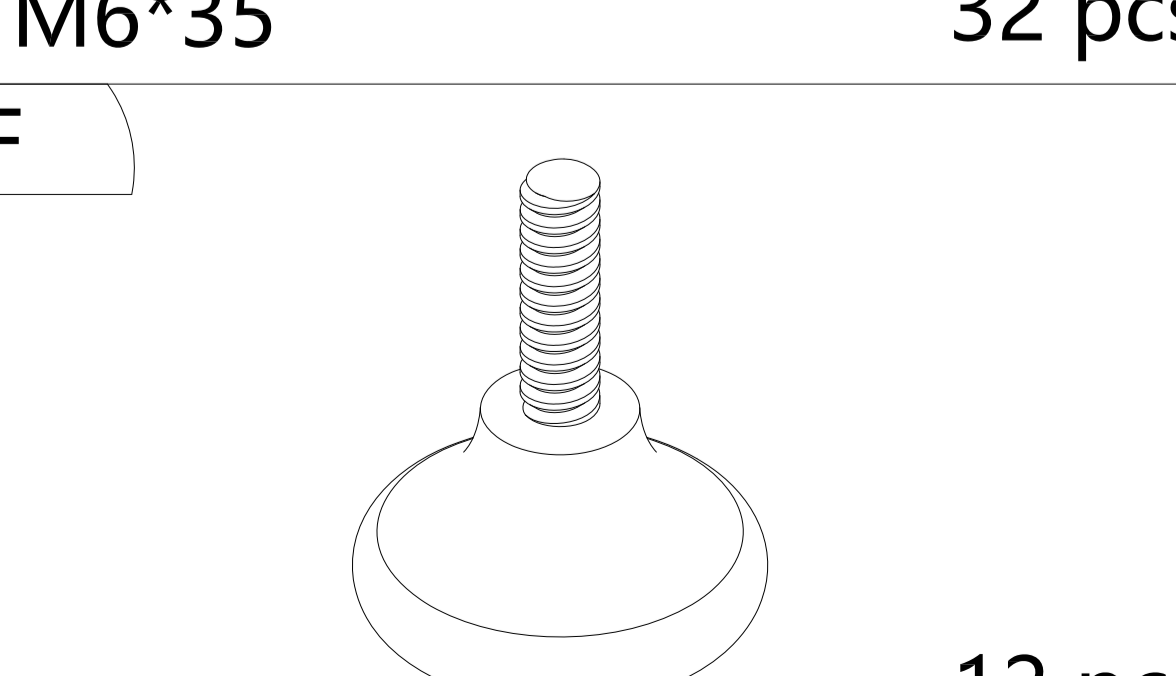
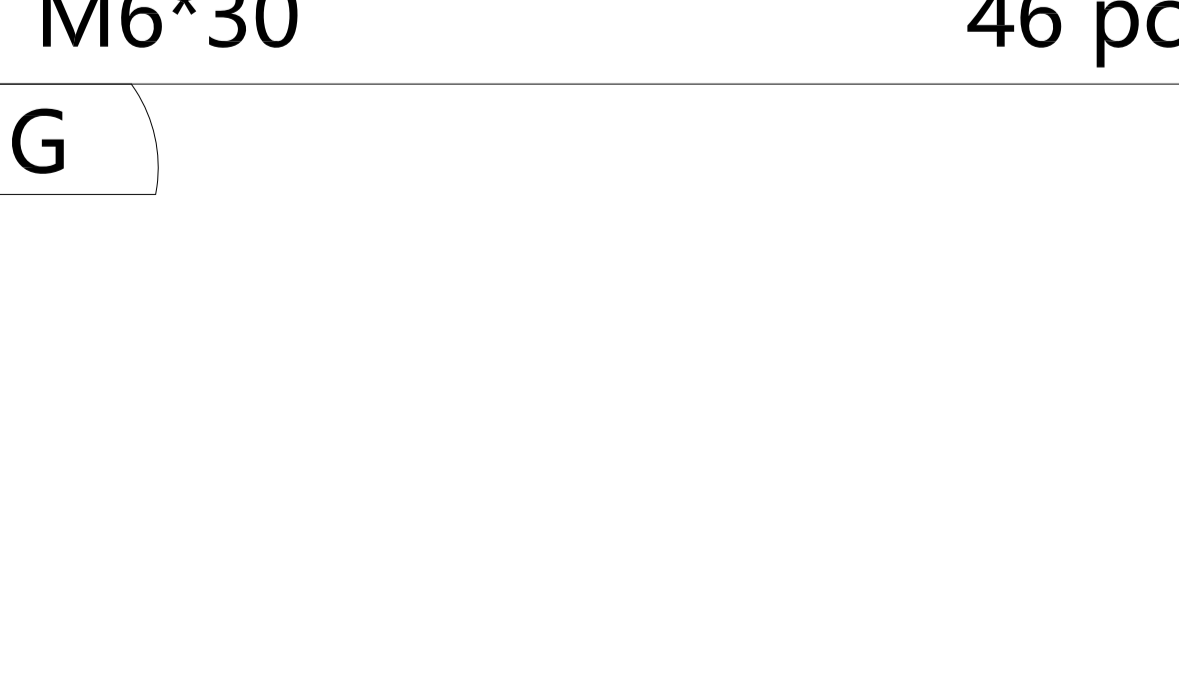
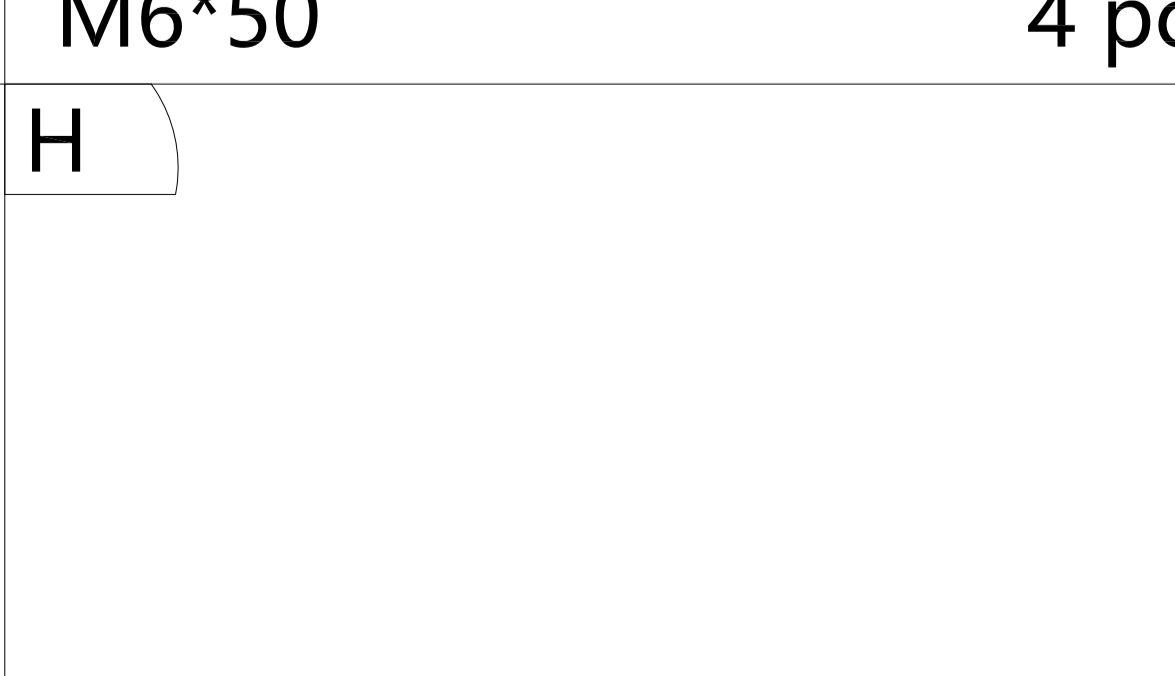
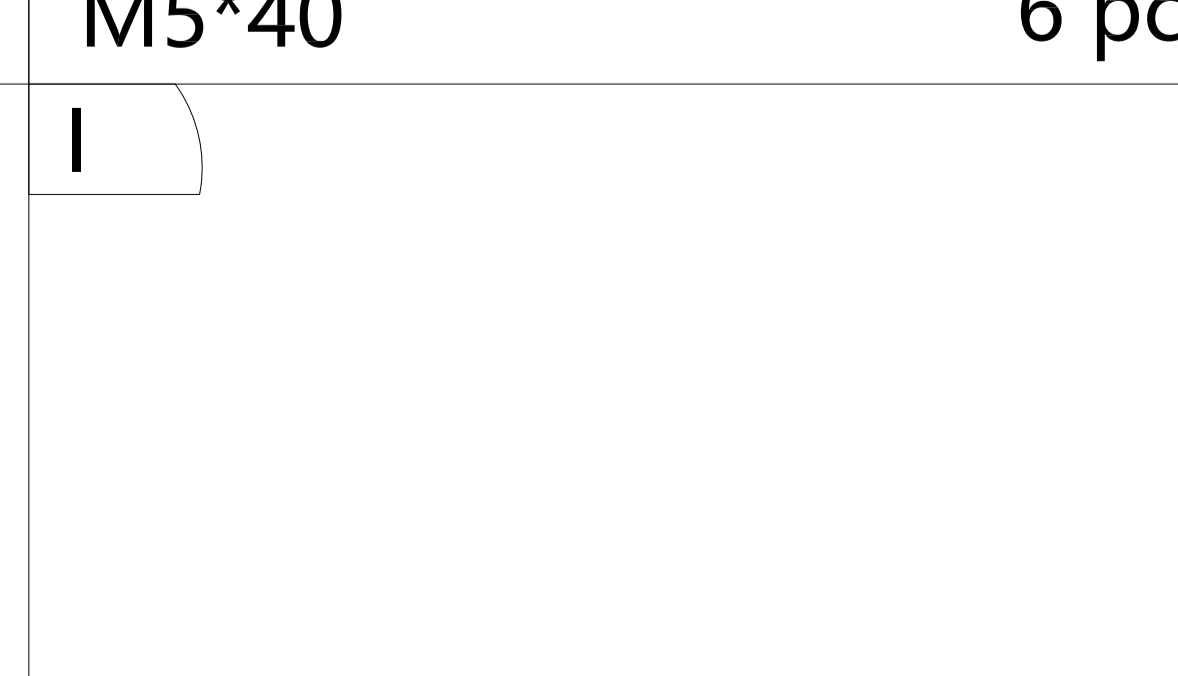
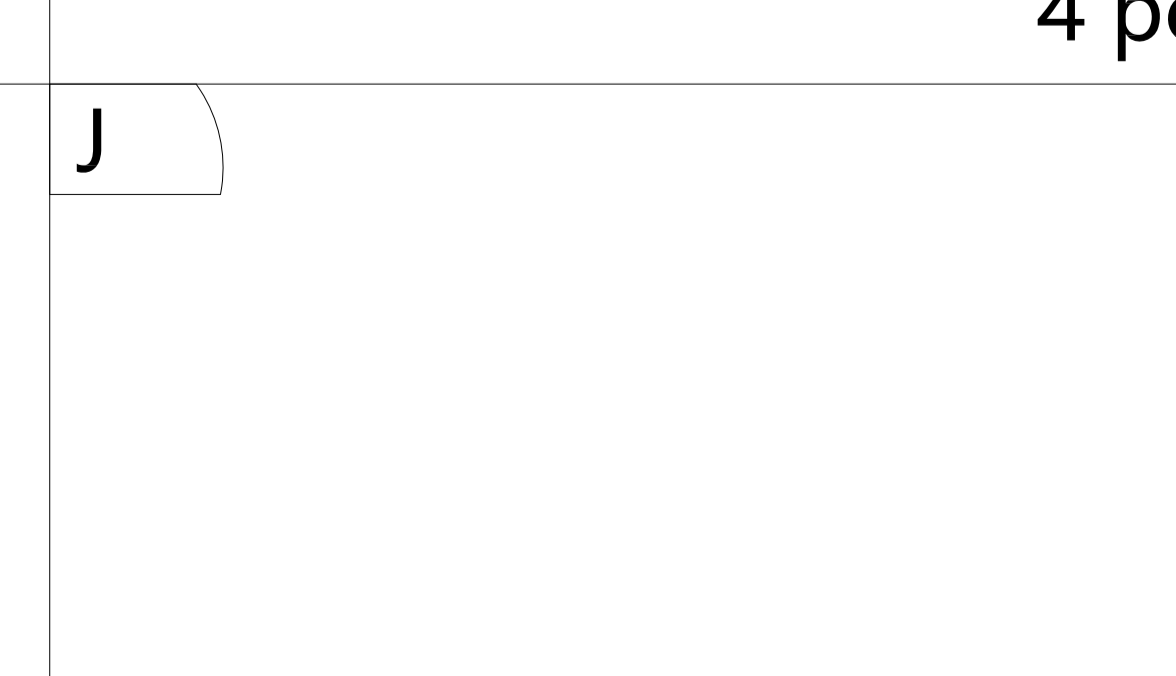
## Decomposition of components



Please check the board number and number

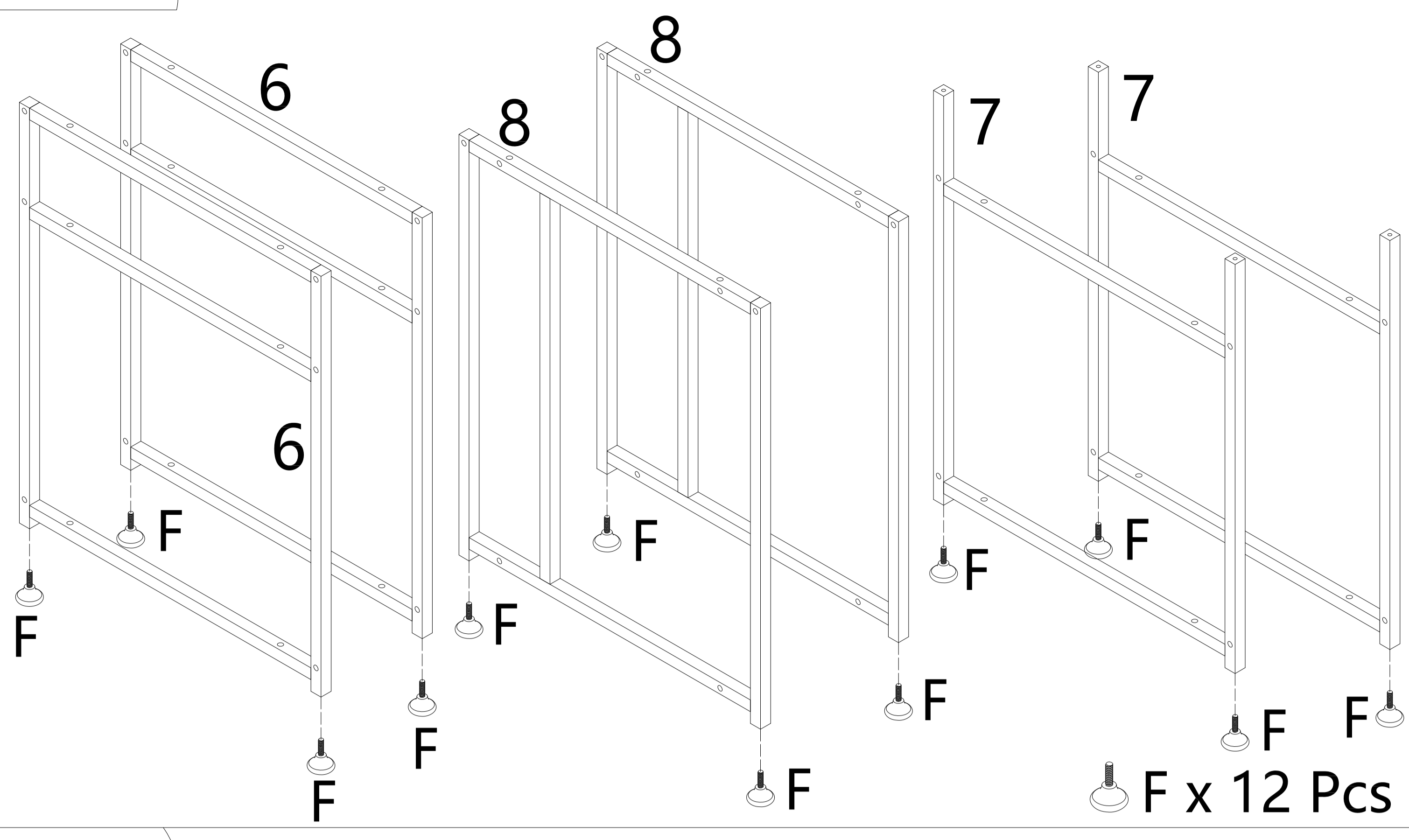
 1 pc	 1 pc	 4 pcs	 2 pcs	 2 pcs
 2 pcs	 2 pcs	 2 pcs	 4 pcs	 8 pcs
 4 pcs	 2 pcs	 2 pcs	 4 pcs	 2 pcs

Please check the number and quantity

 M6*35 32 pcs	 M6*30 46 pcs	 M6*50 4 pcs	 M5*40 6 pcs	 4 pcs
 12 pcs	 12 pcs	 12 pcs	 12 pcs	 12 pcs

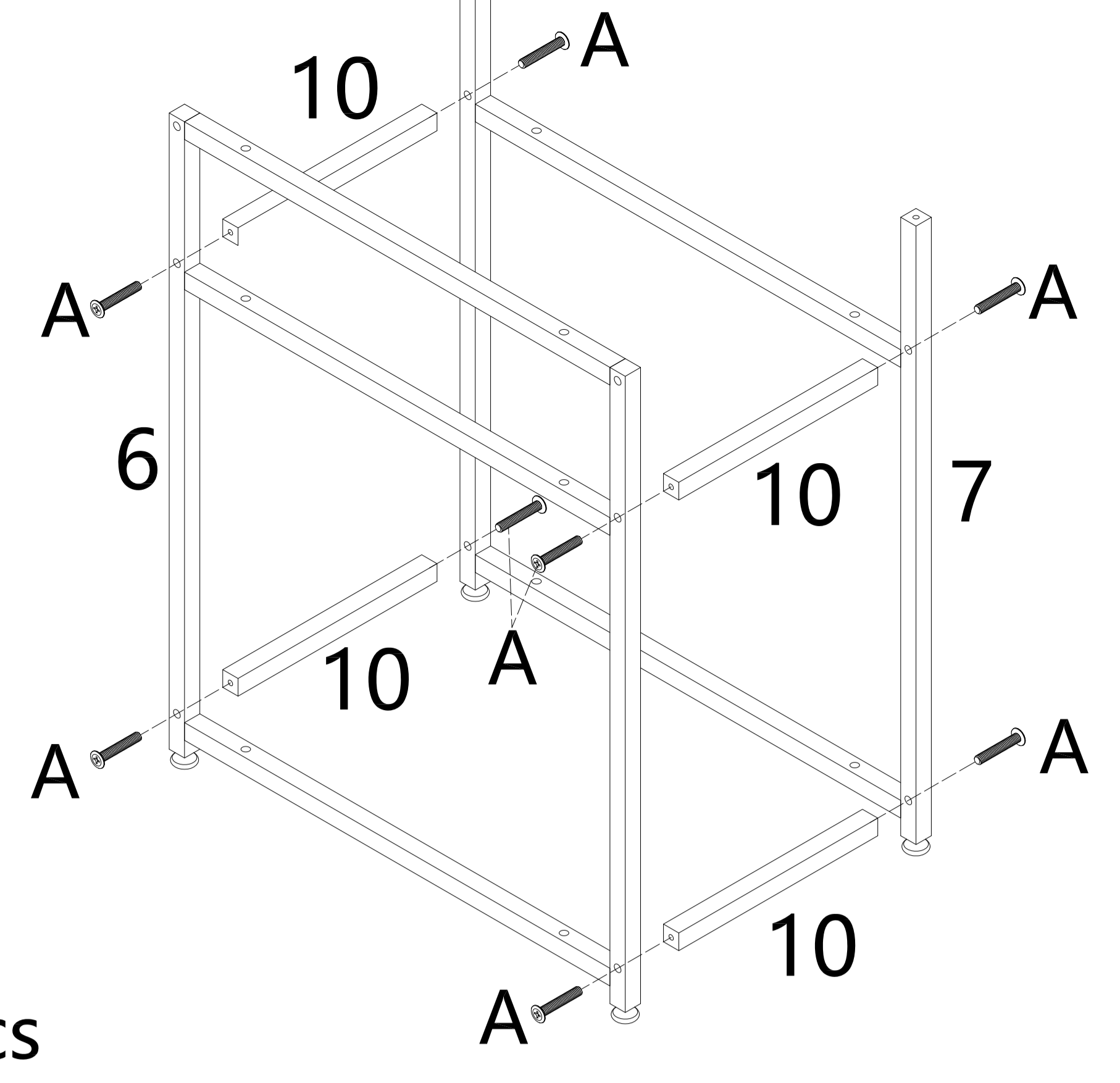


STEP 1



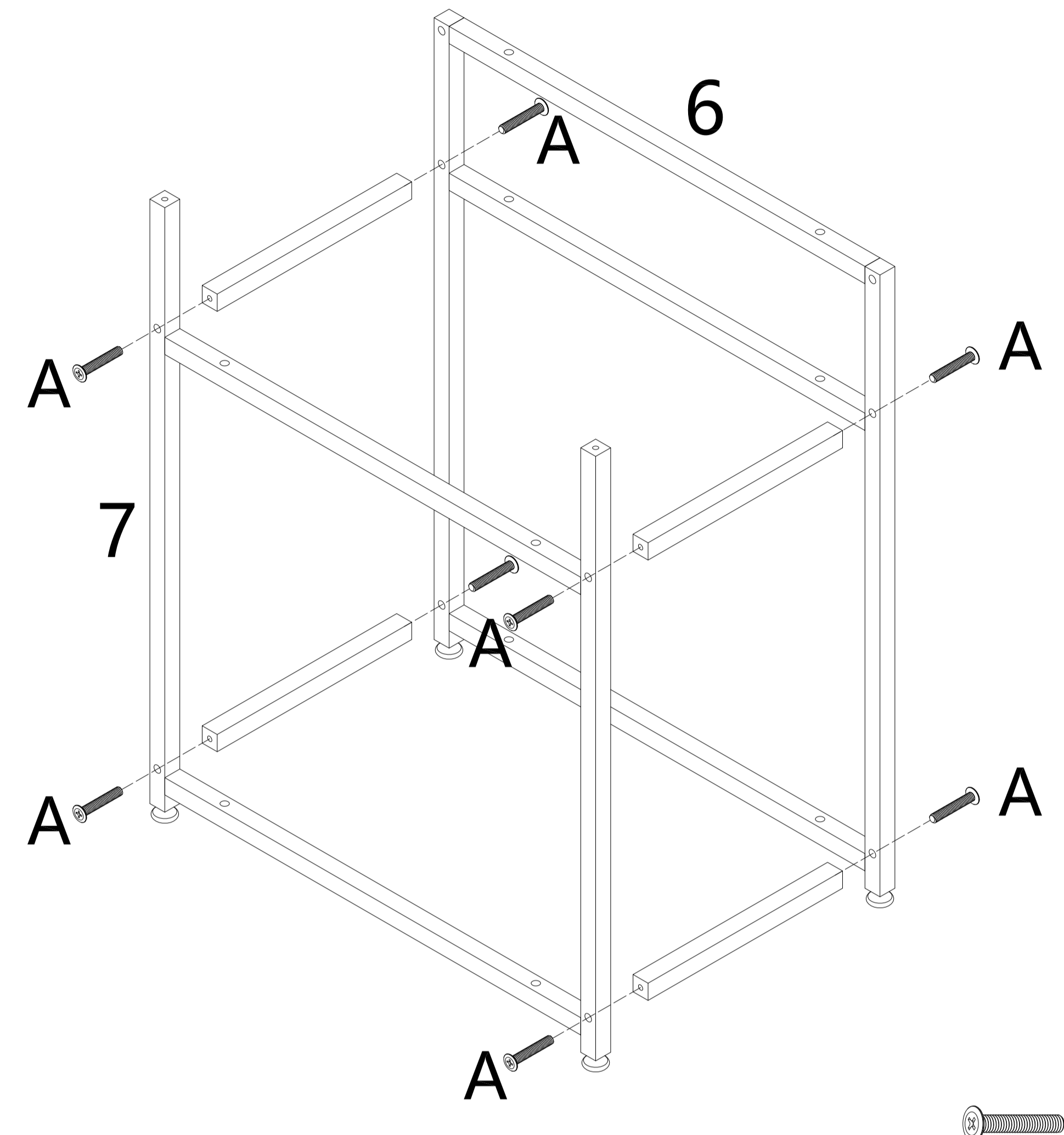
F x 12 Pcs

STEP 2



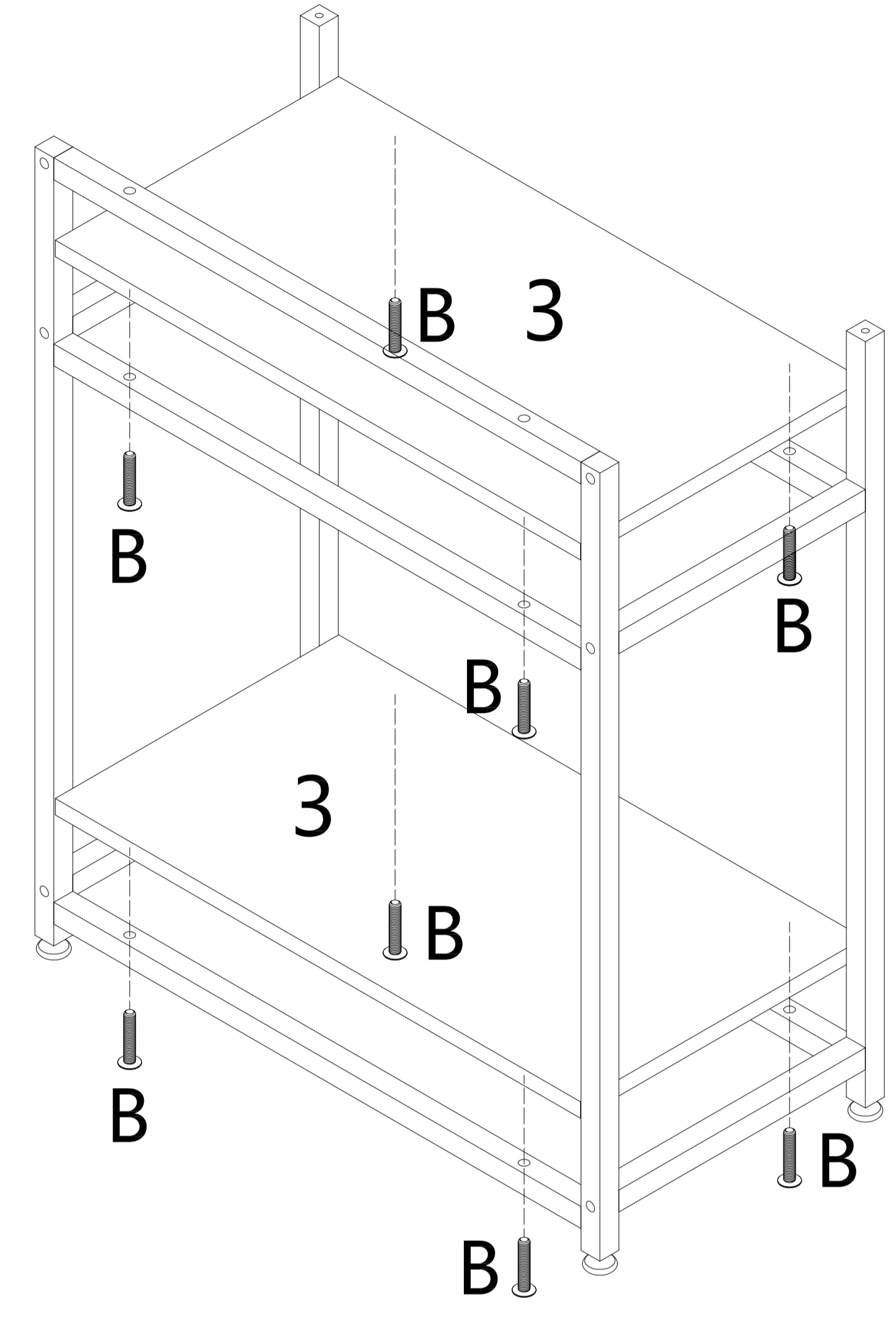
A x 8 Pcs

STEP 3



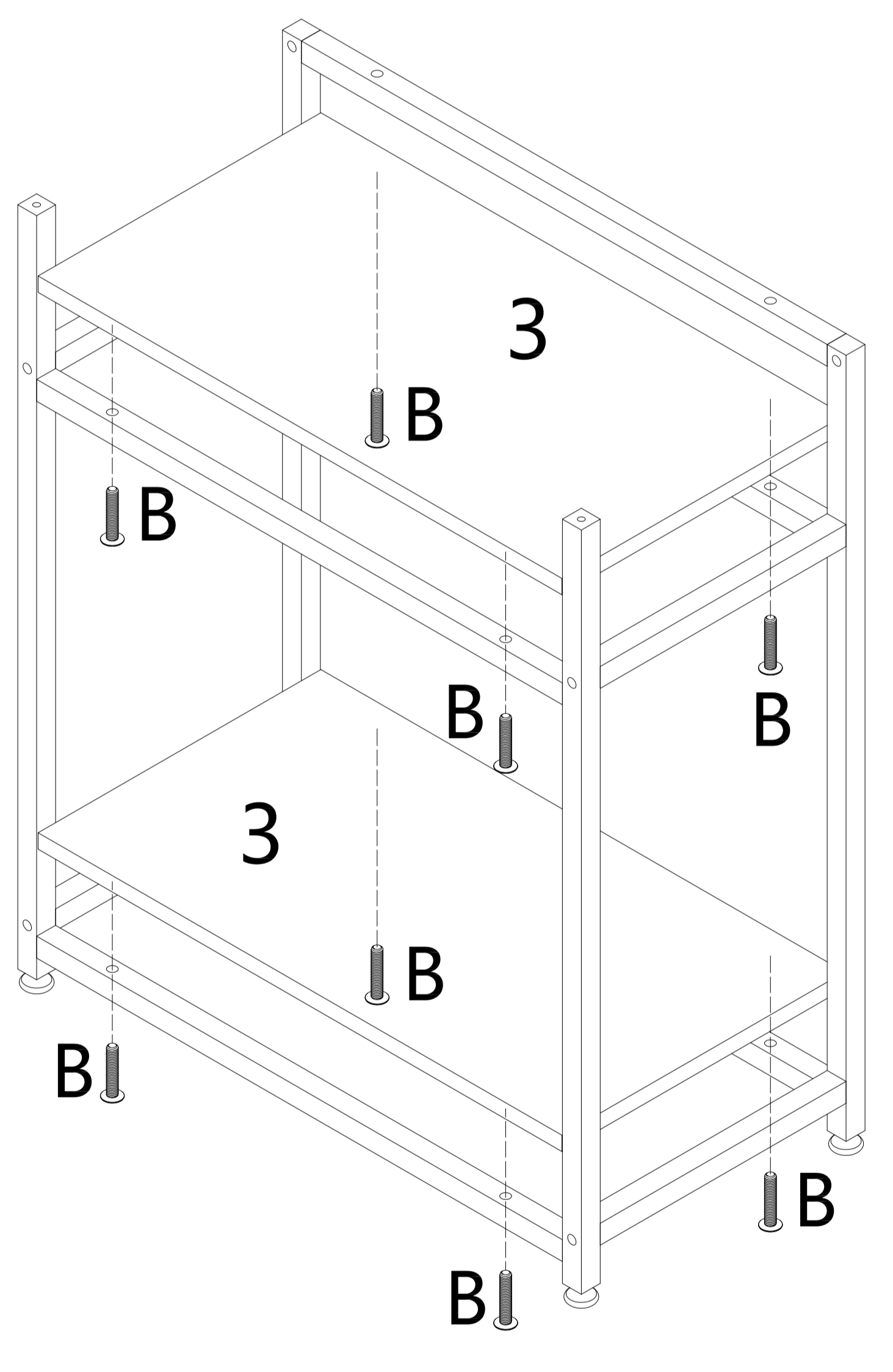
A x 8 Pcs

STEP 4



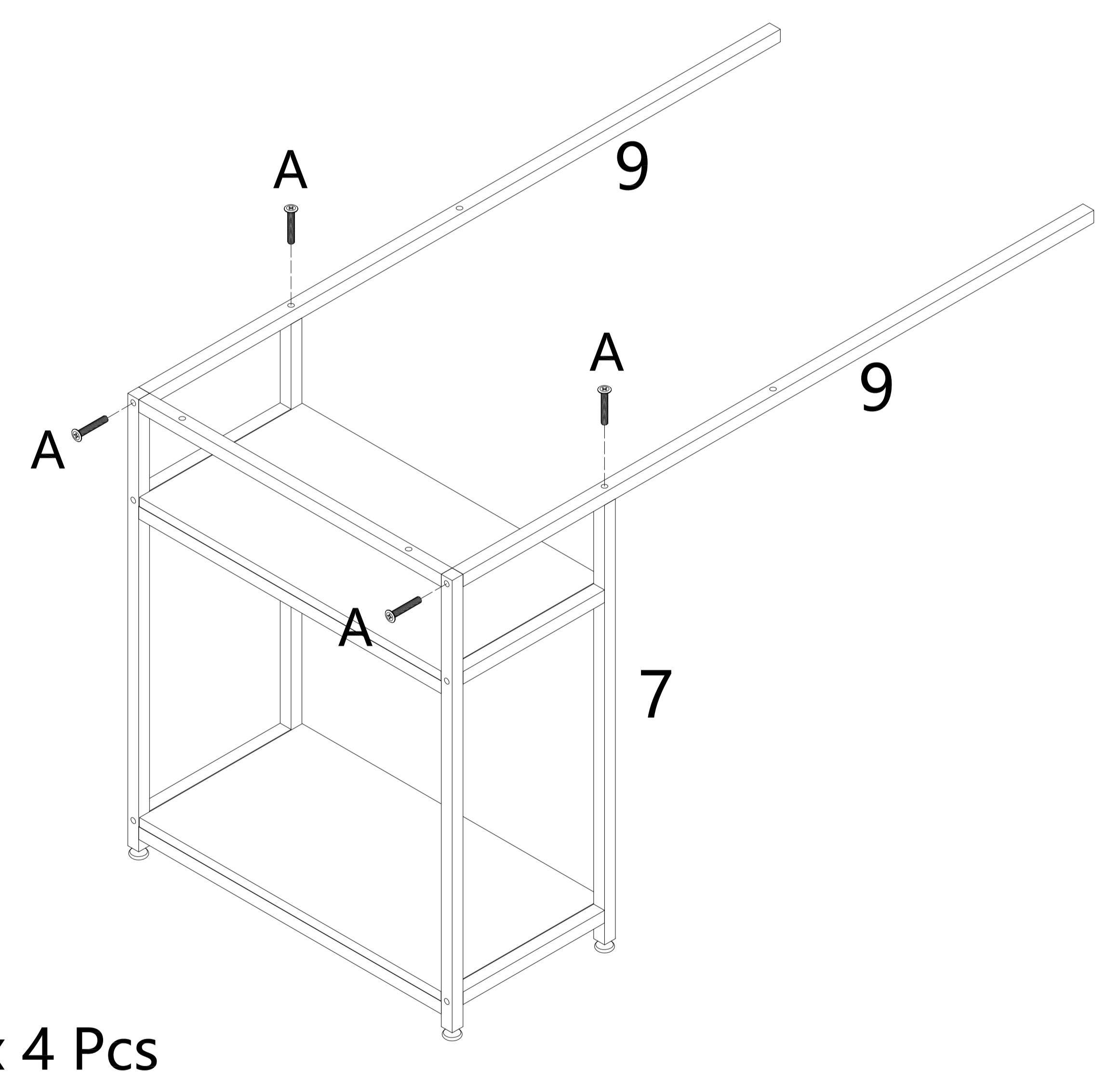
B x 8 Pcs

STEP 5



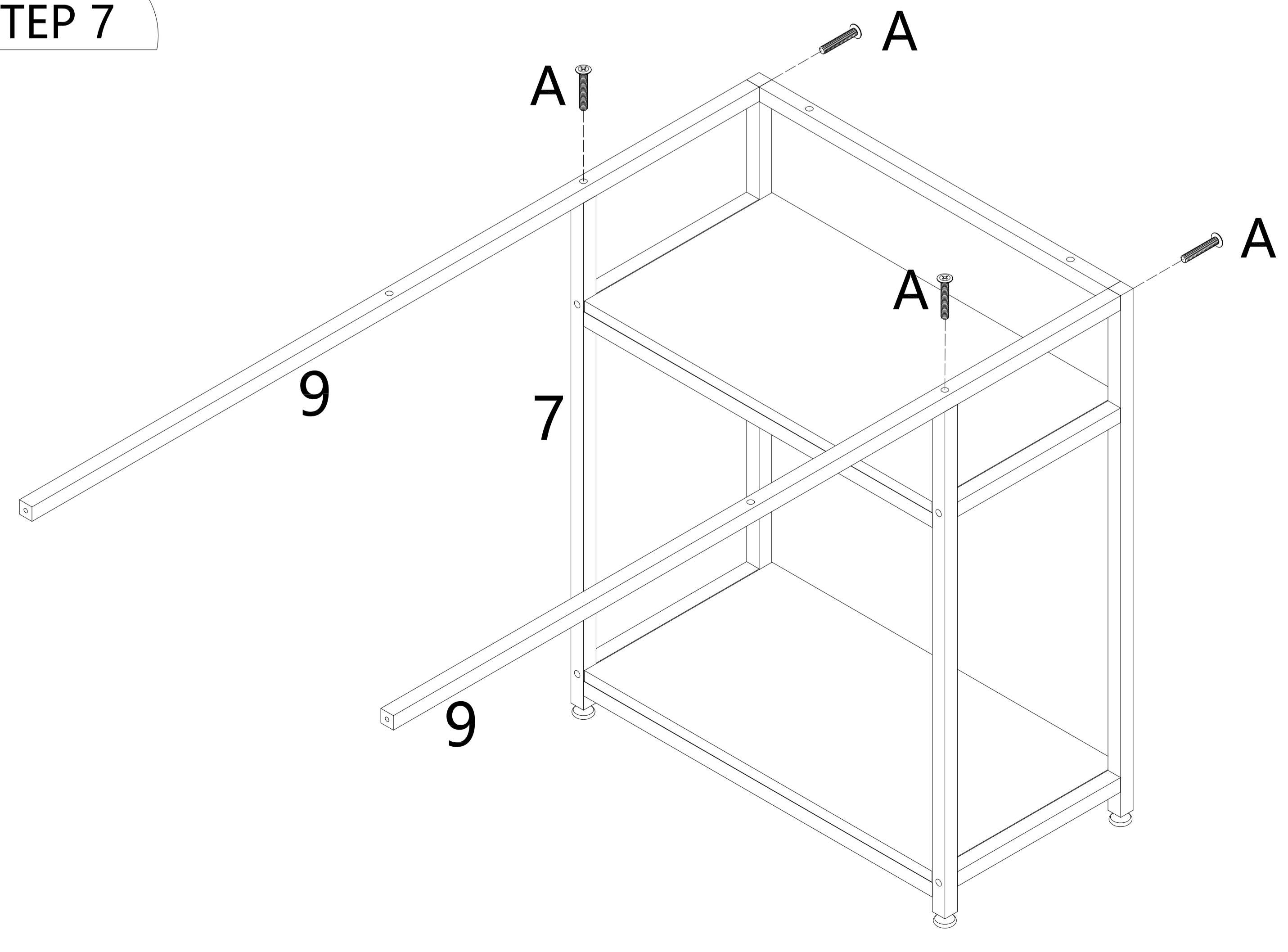
B x 8 Pcs

STEP 6



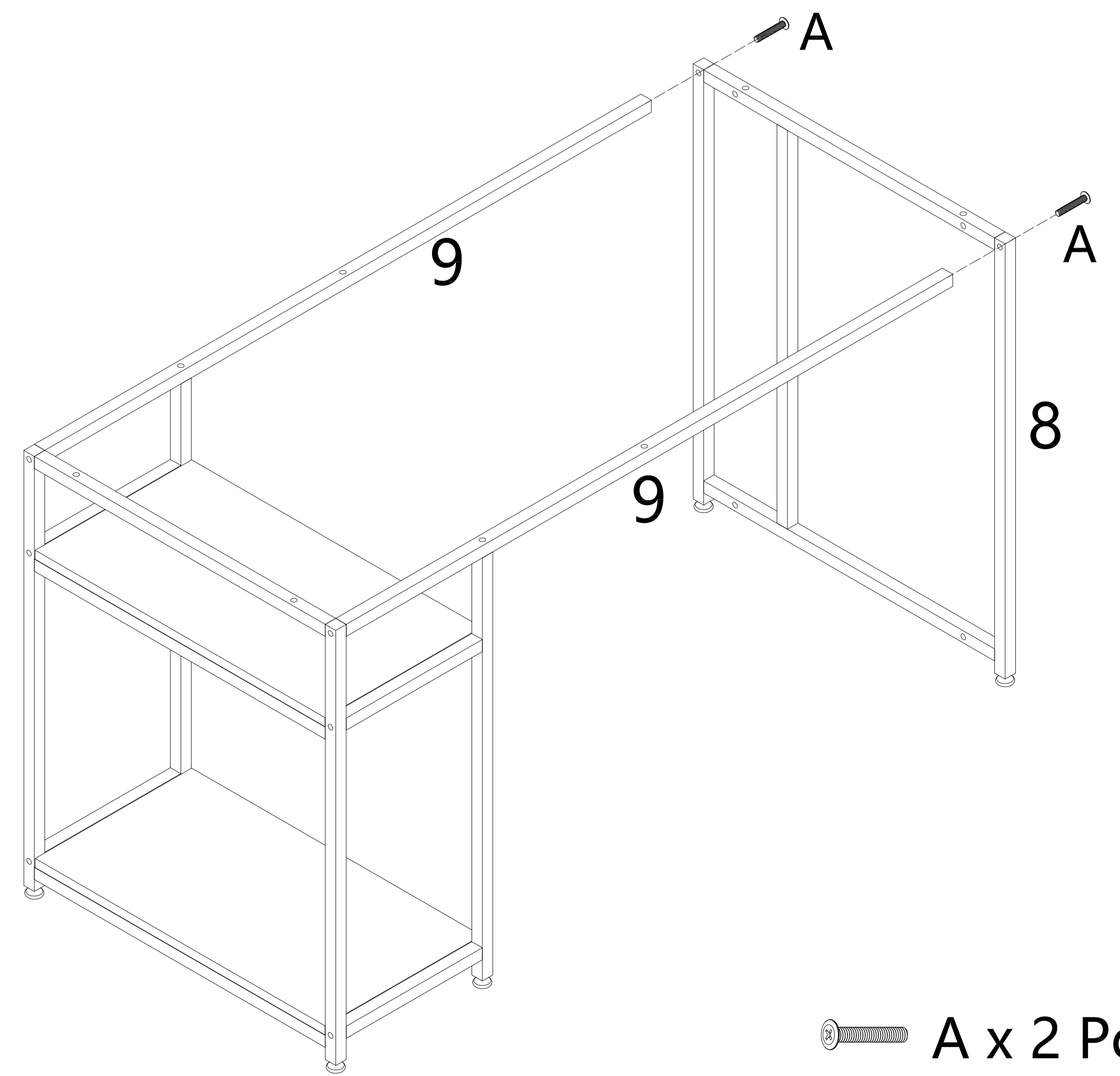
A x 4 Pcs

STEP 7



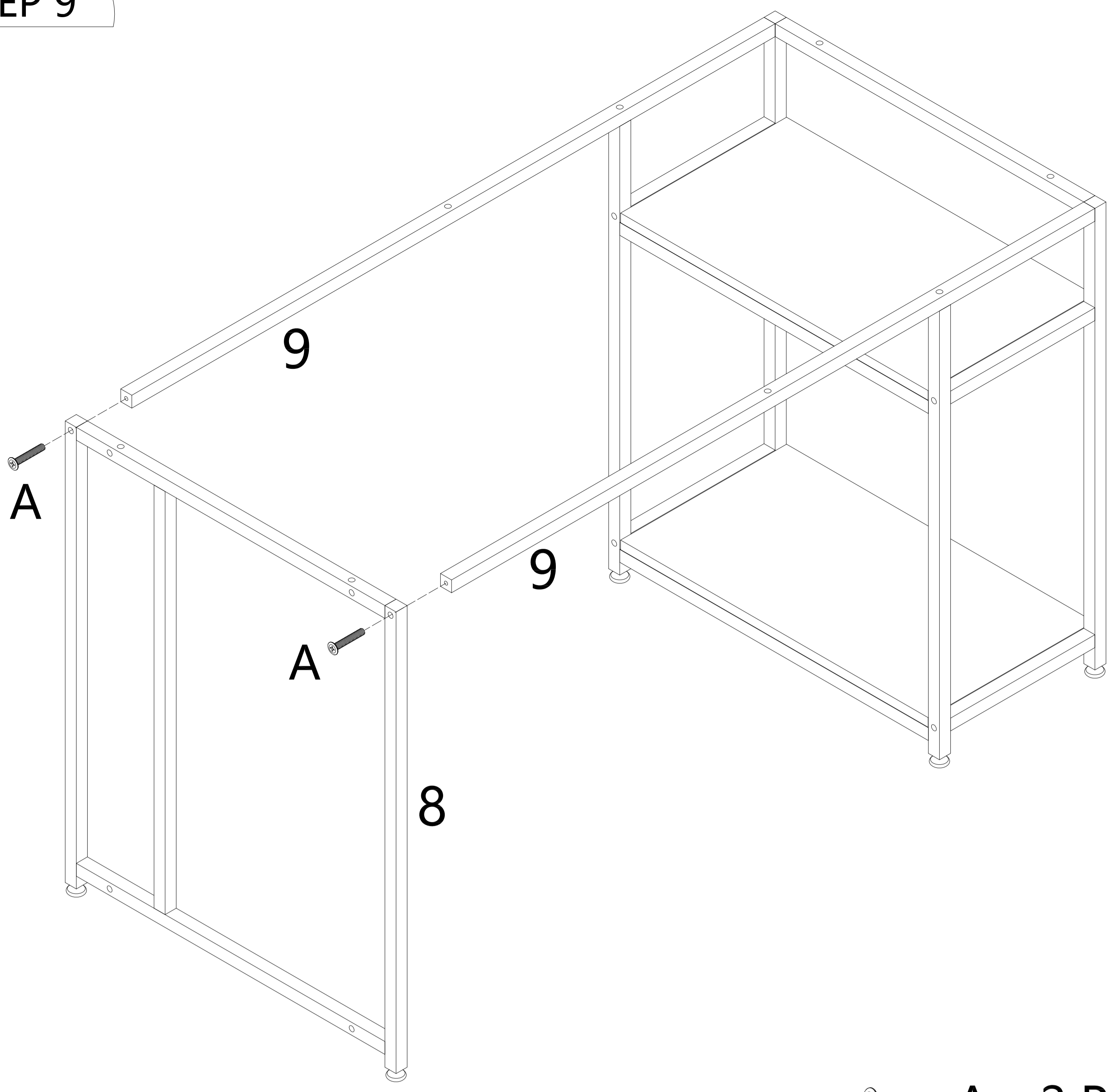
A x 4 Pcs

STEP 8



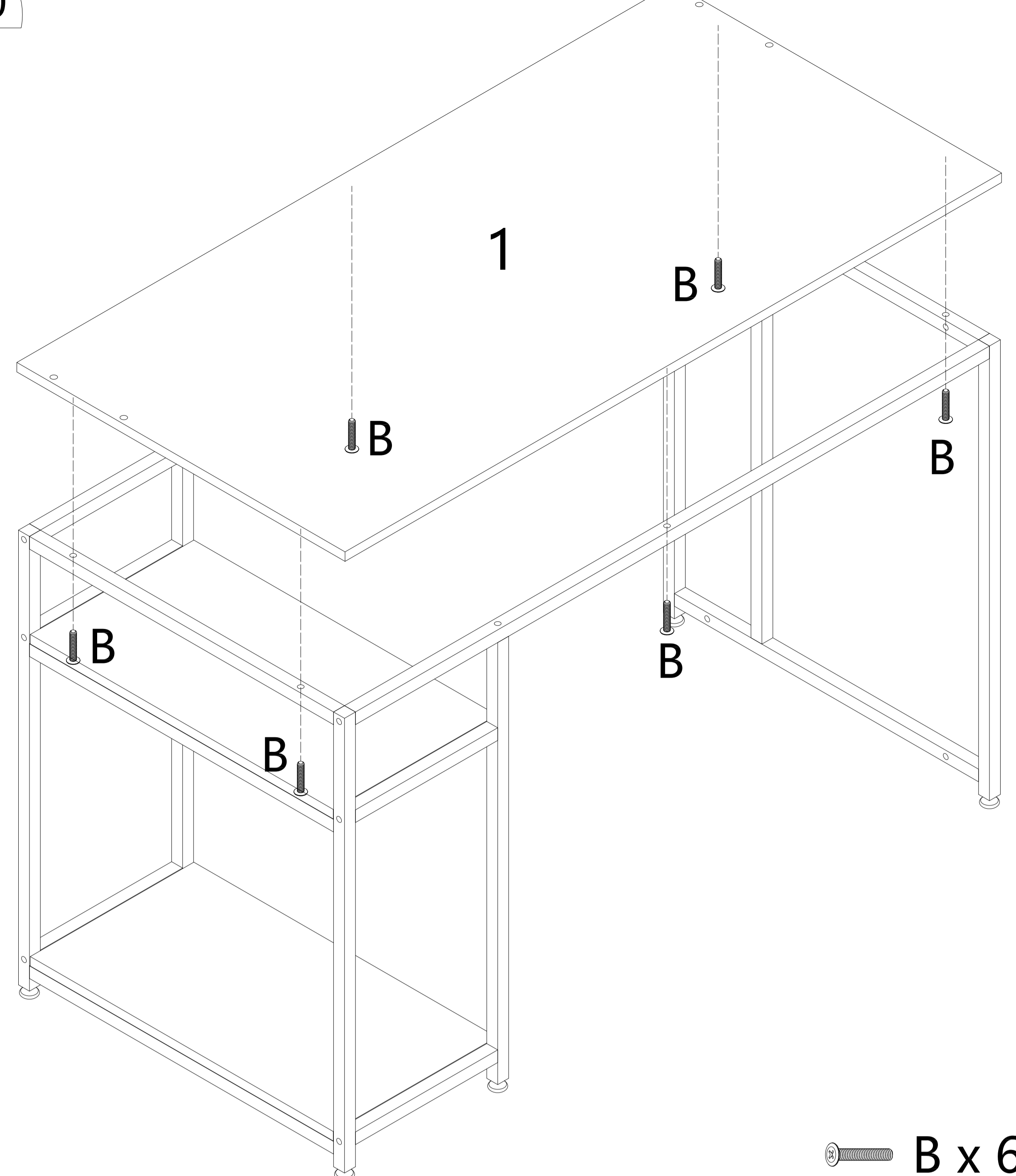
A x 2 Pcs

STEP 9



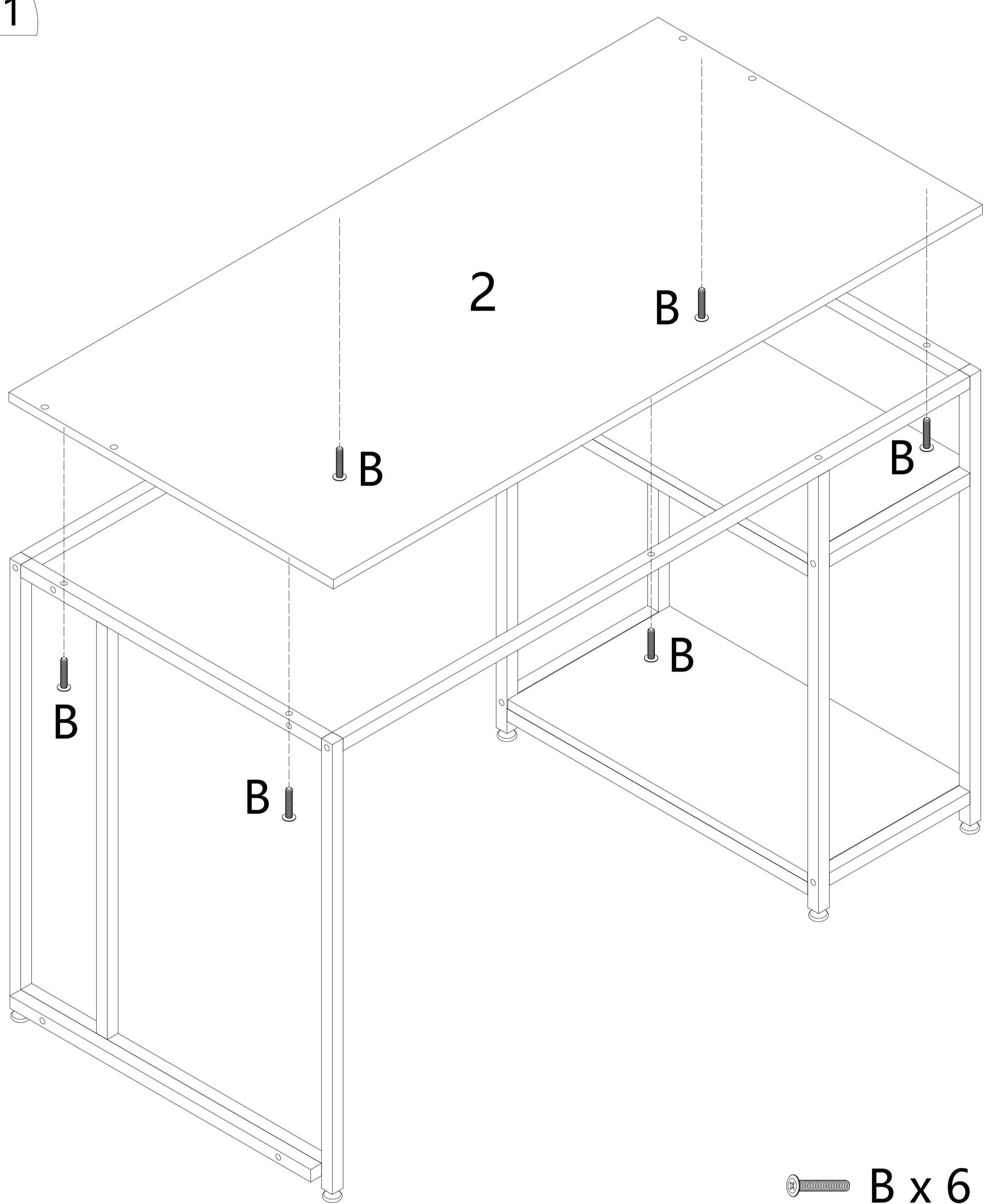
A x 2 Pcs

STEP 10



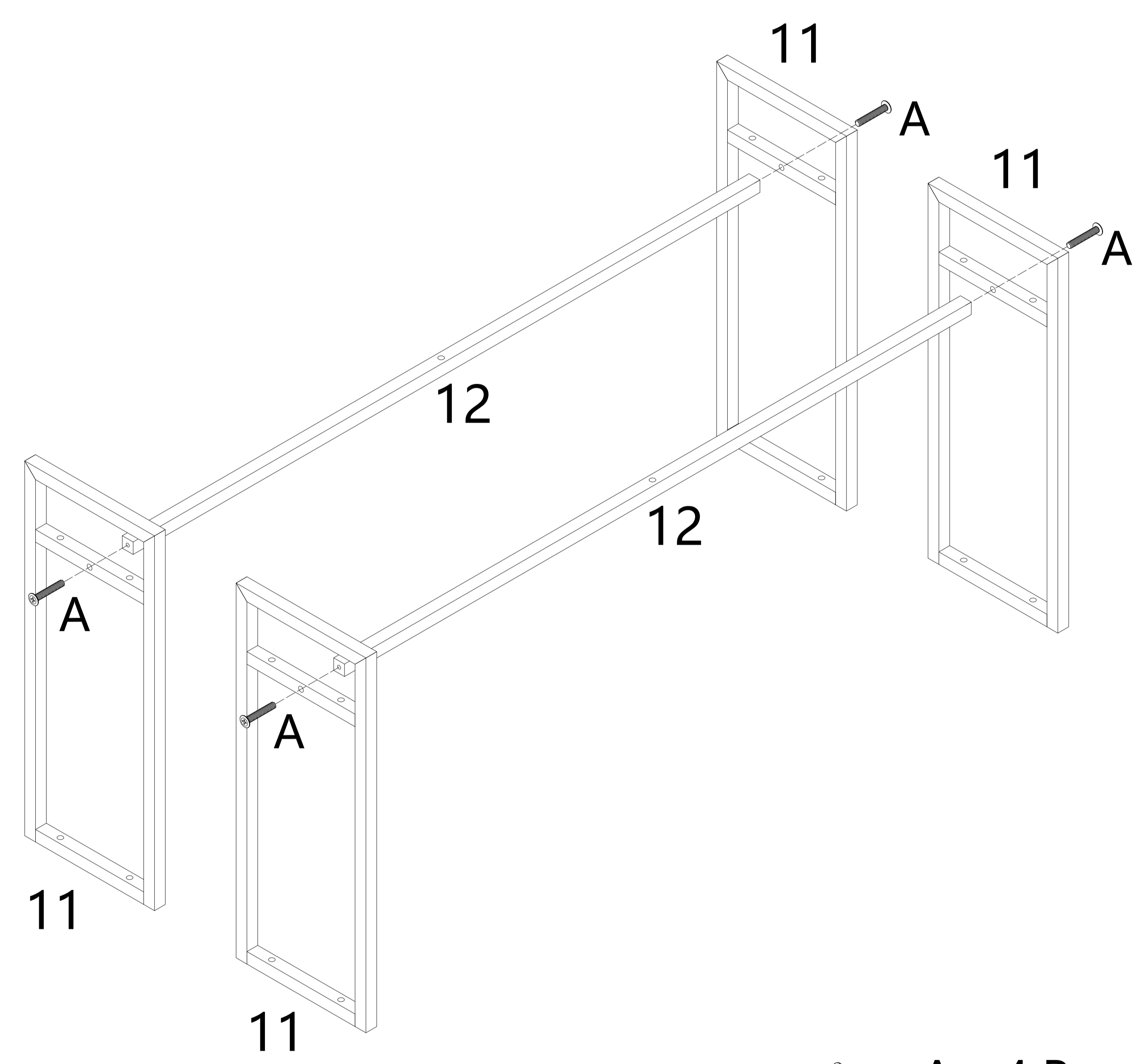
B x 6 Pcs

STEP 11



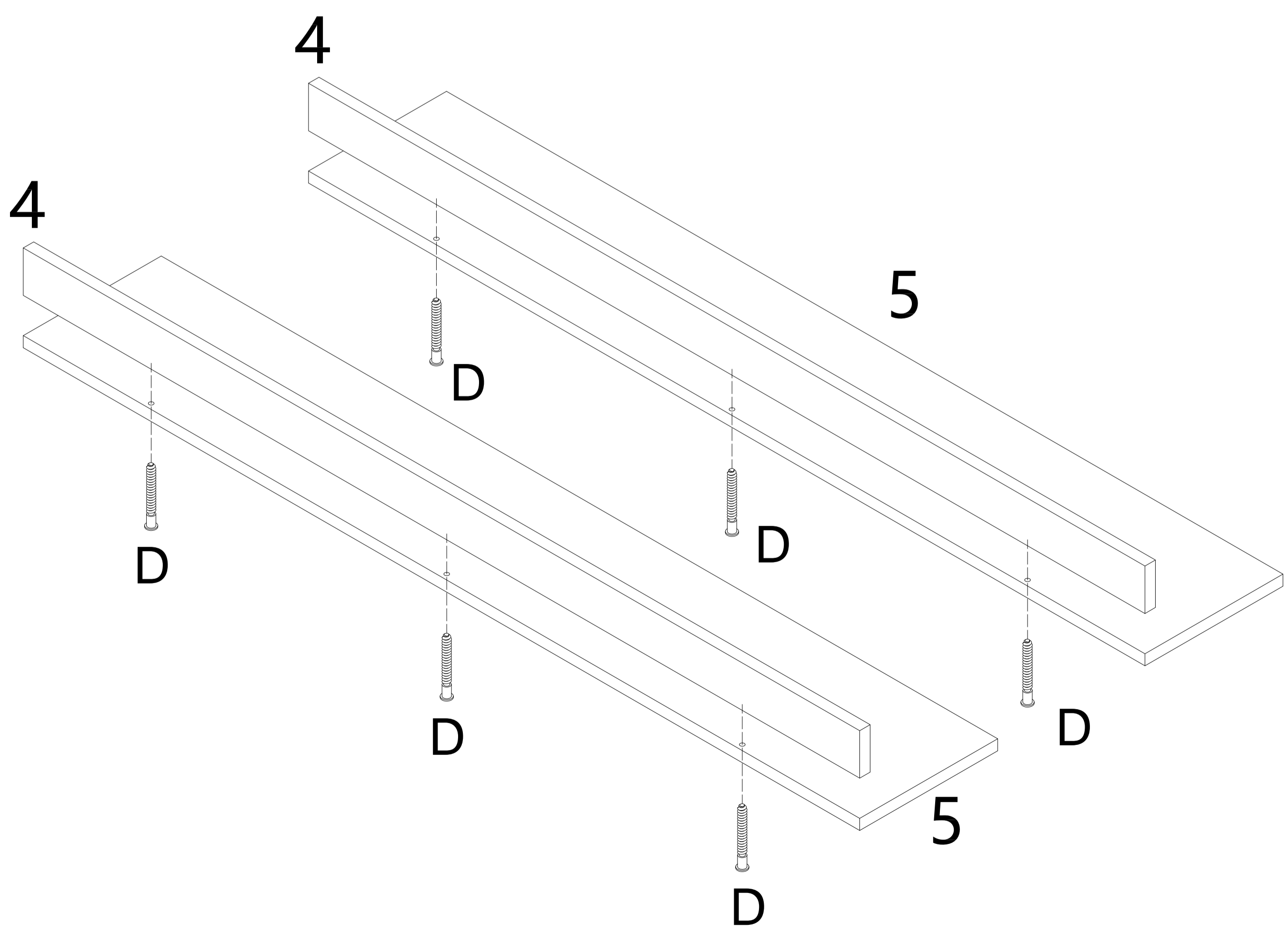
B x 6 Pcs

STEP 12



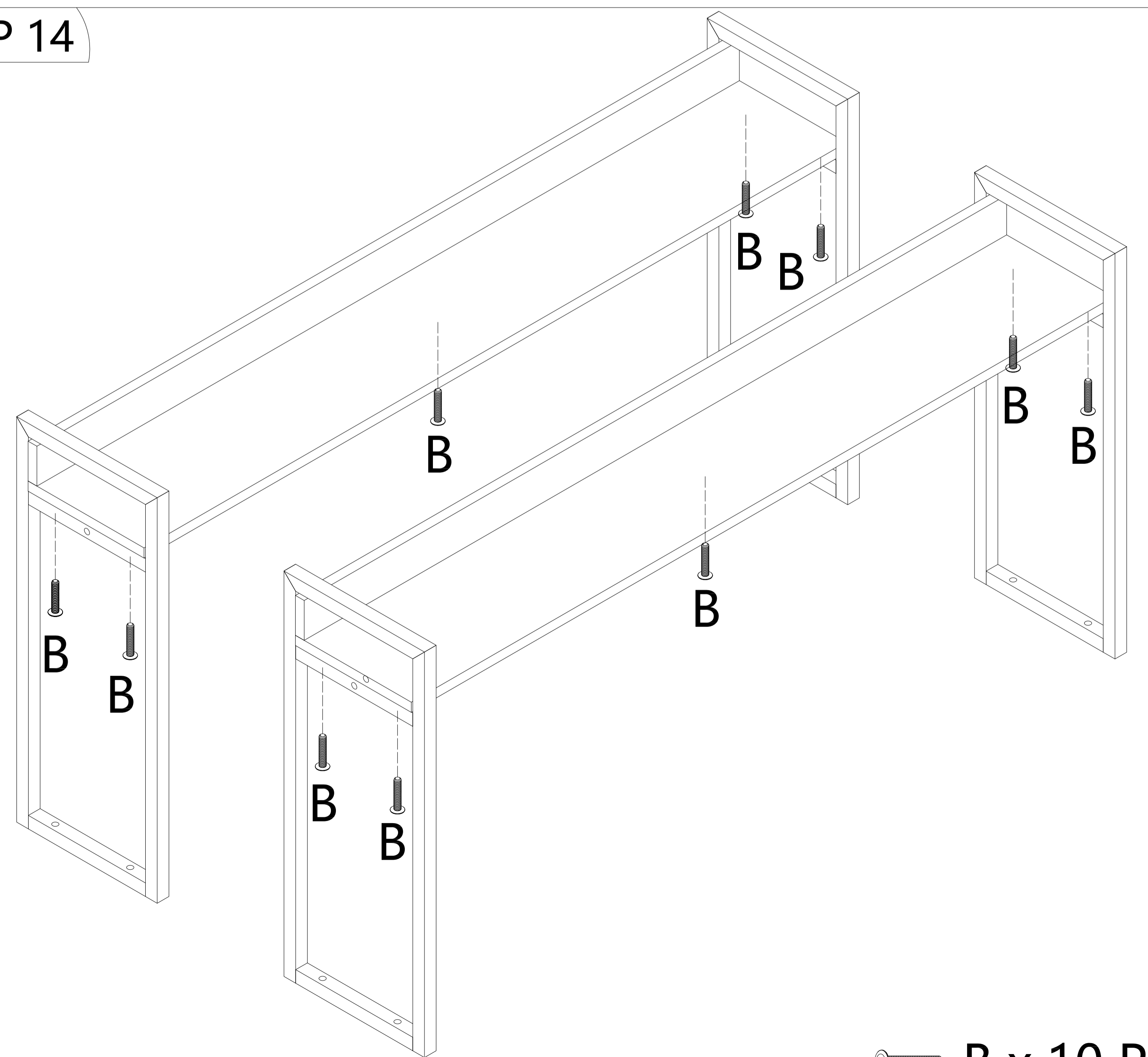
A x 4 Pcs

STEP 13



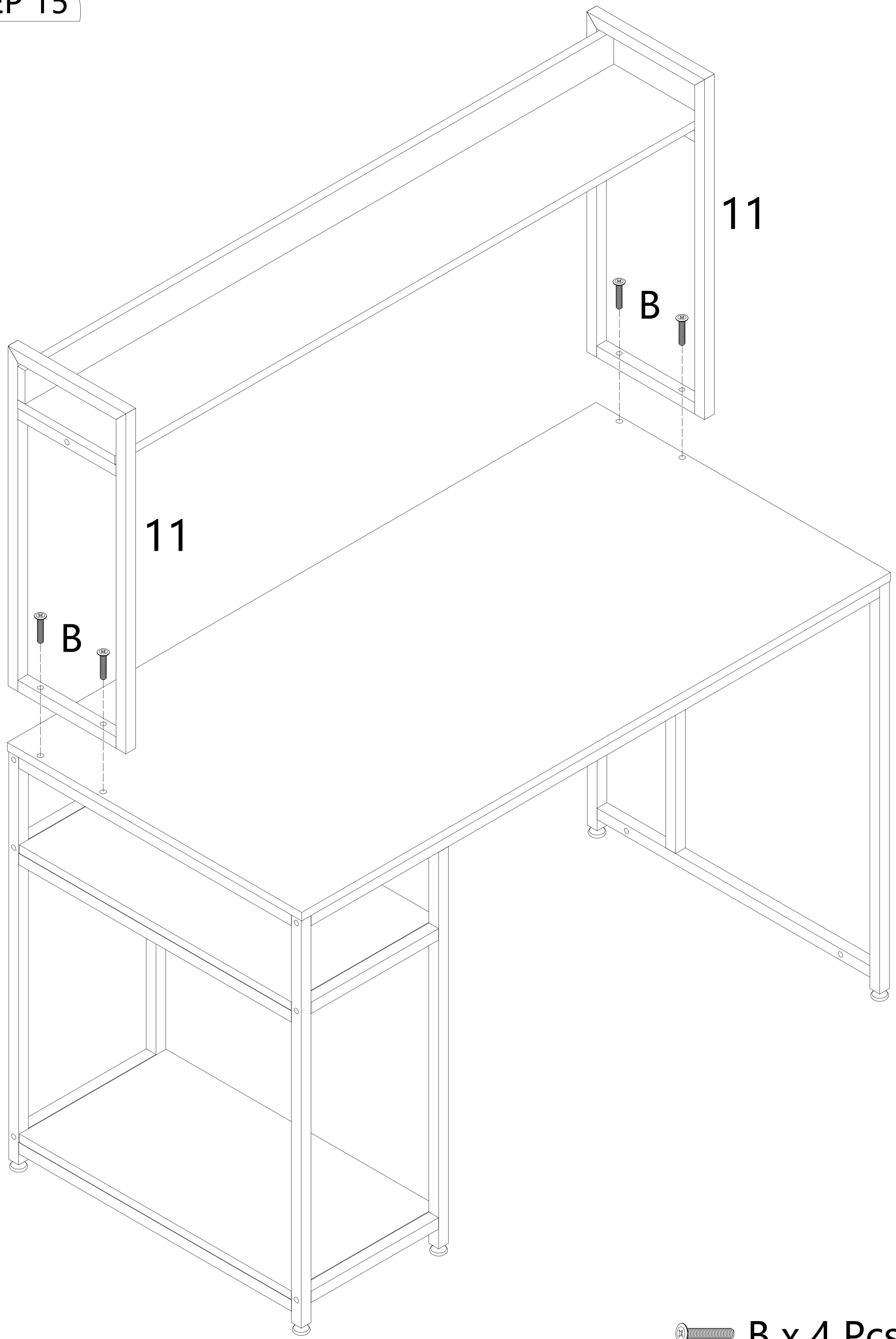
D x 6 Pcs

STEP 14



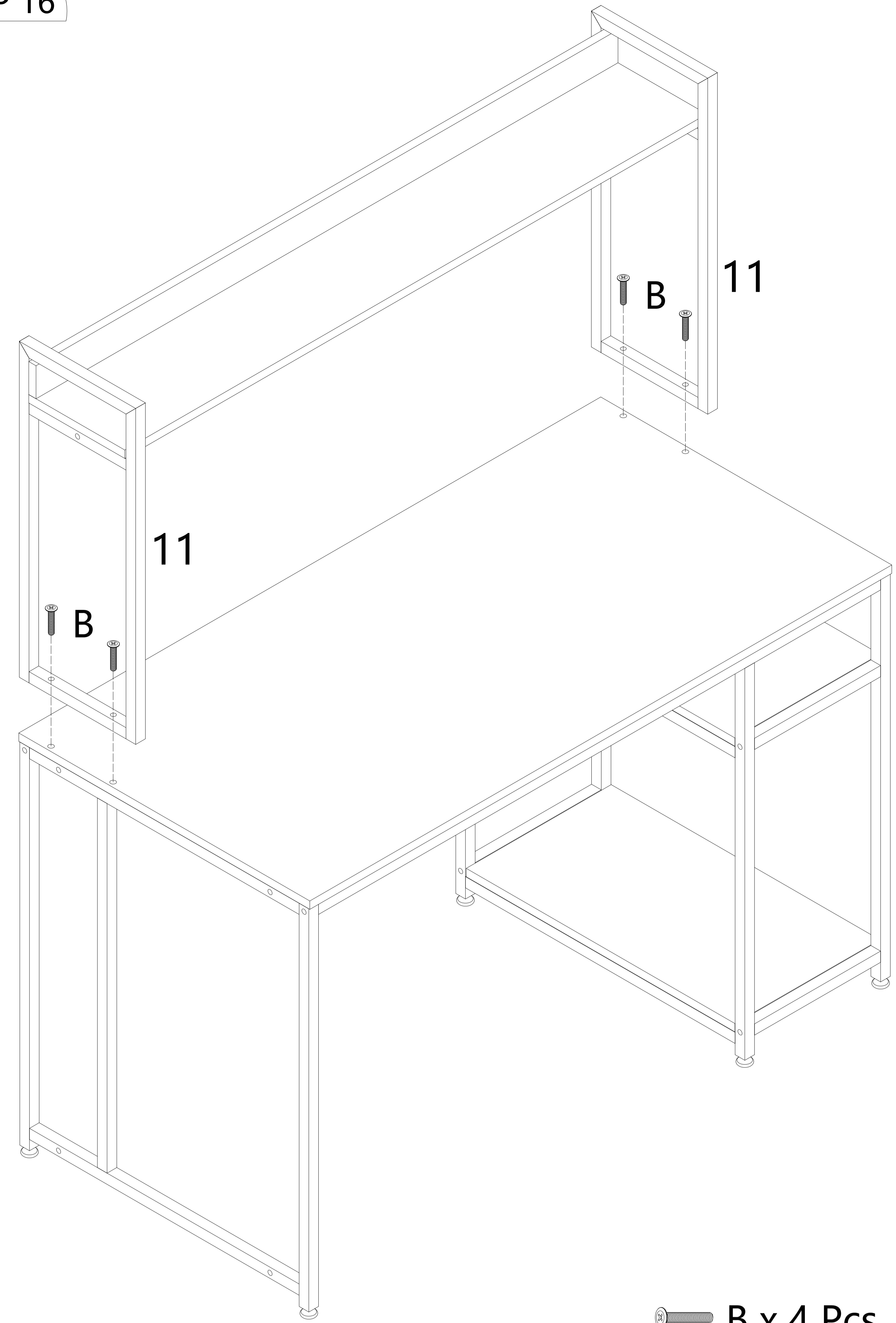
B x 10 Pcs

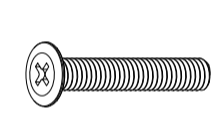
STEP 15



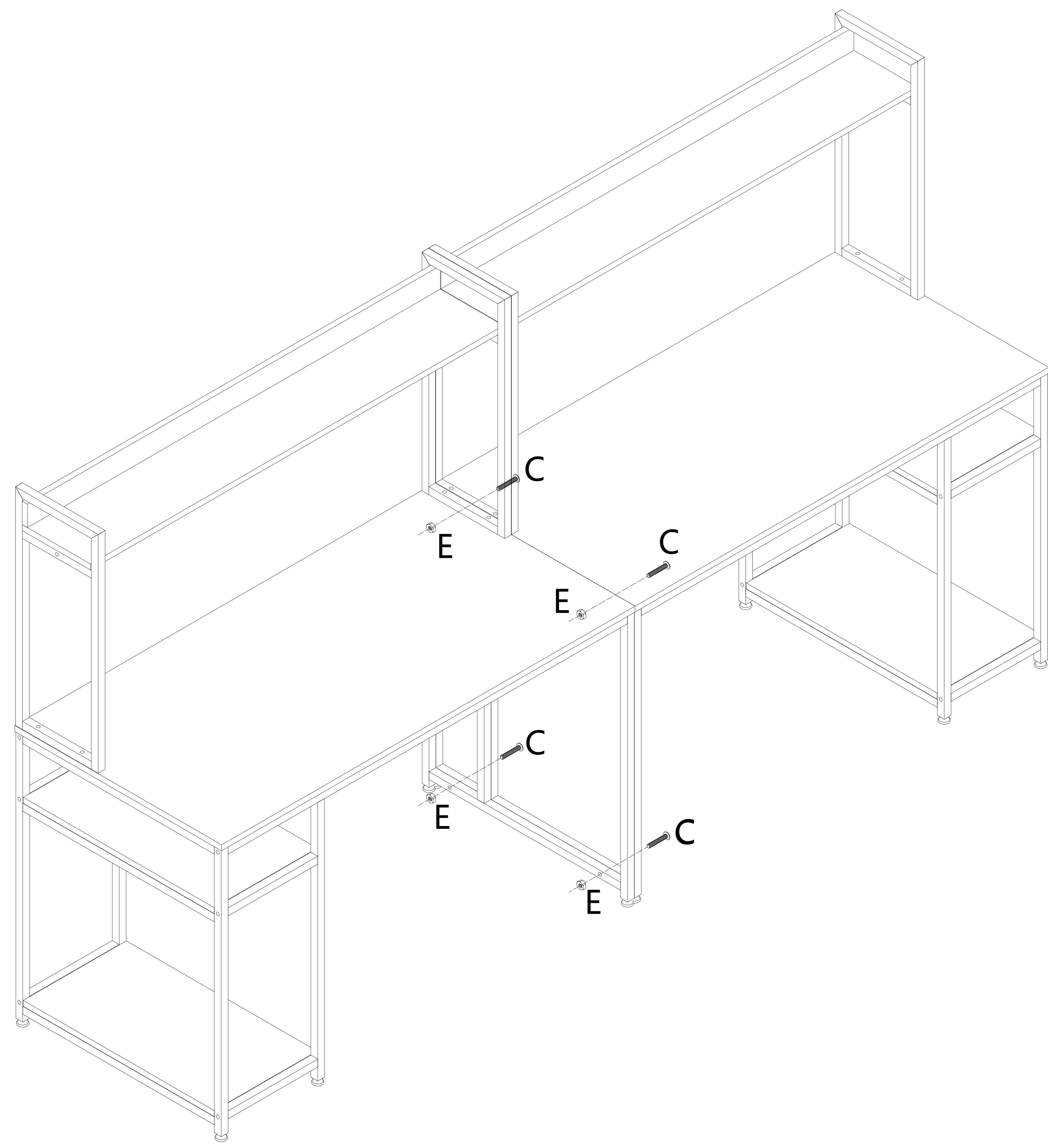
 B x 4 Pcs


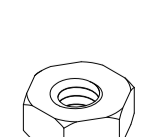
STEP 16



 B x 4 Pcs

STEP 16



 C x 4 Pcs  
 E x 4 Pcs





US



001-877-644-9366  
customerservice@aosom.com

CA



001-855-537-6088  
customerservice@aosom.ca

UK



0044-800-240-4004  
enquiries@mhstar.co.uk

DE



0049-(0)40-88307530  
service@aosom.de

FR



0033-1-84166106  
contact@aosom.fr

ES



0034-931294512  
atencioncliente@aosom.es

IT



0039-0249471447  
clienti@aosom.it