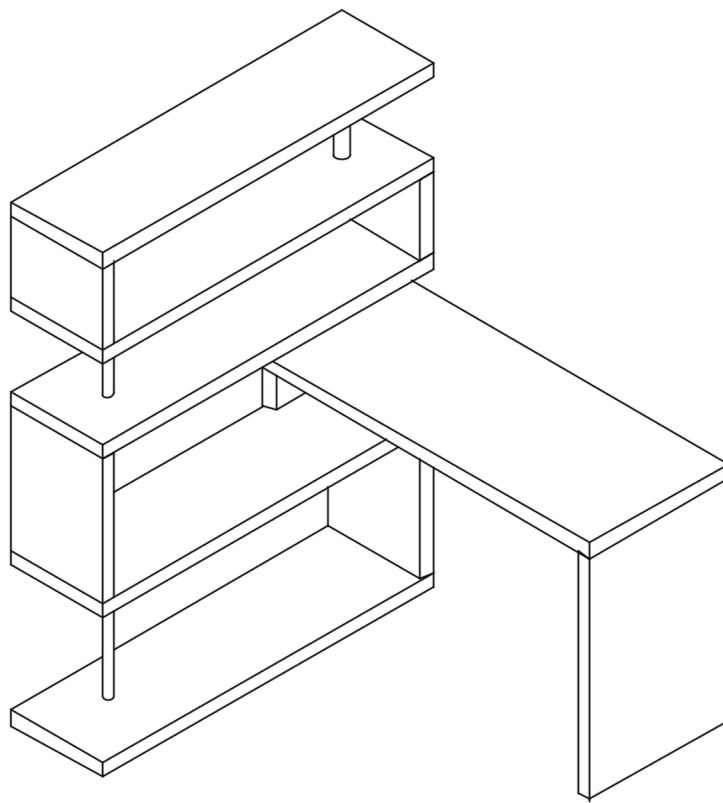


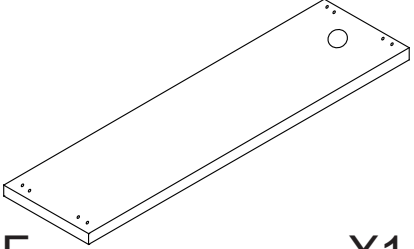
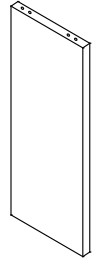
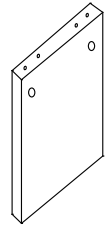
831-013



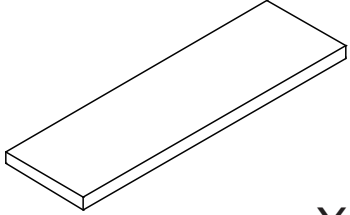
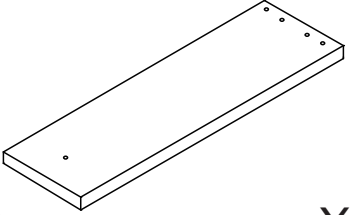
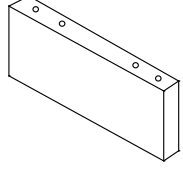
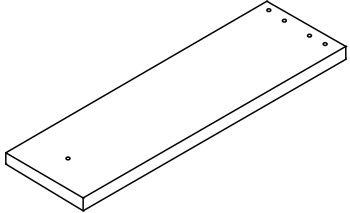
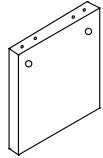



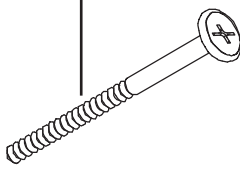
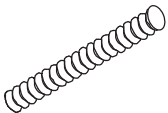
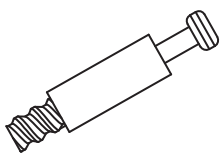
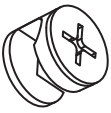
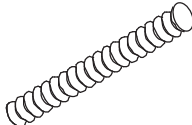
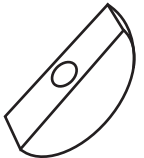

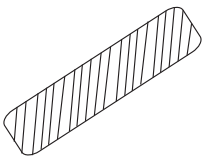
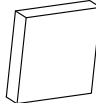
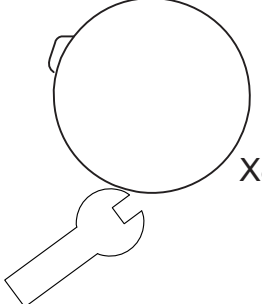
Please read these instructions and warranty information carefully before use and keep them properly for future reference.

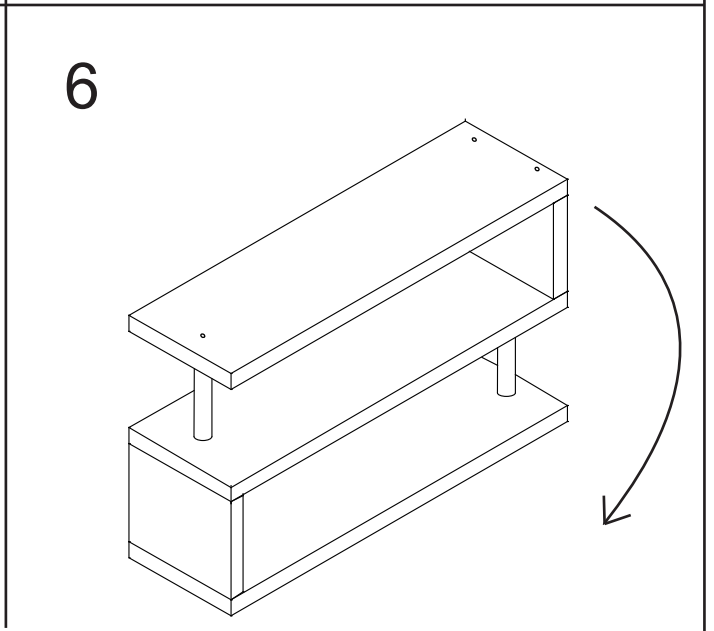
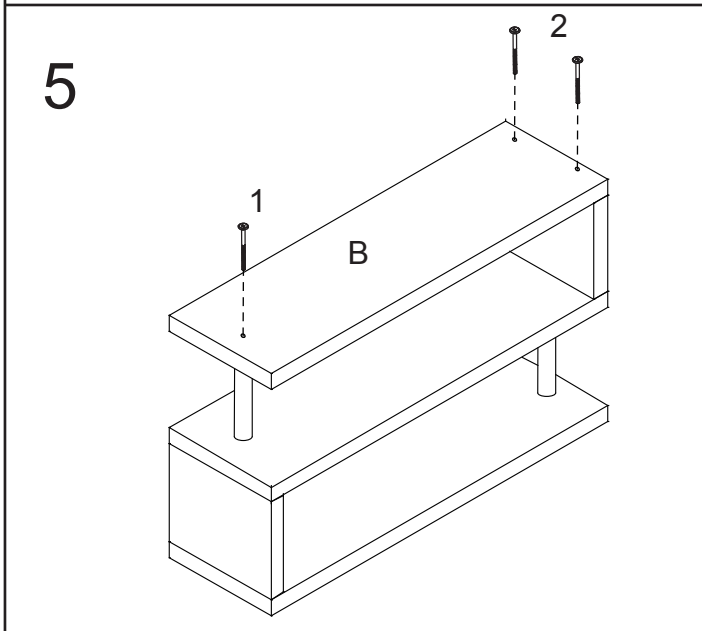
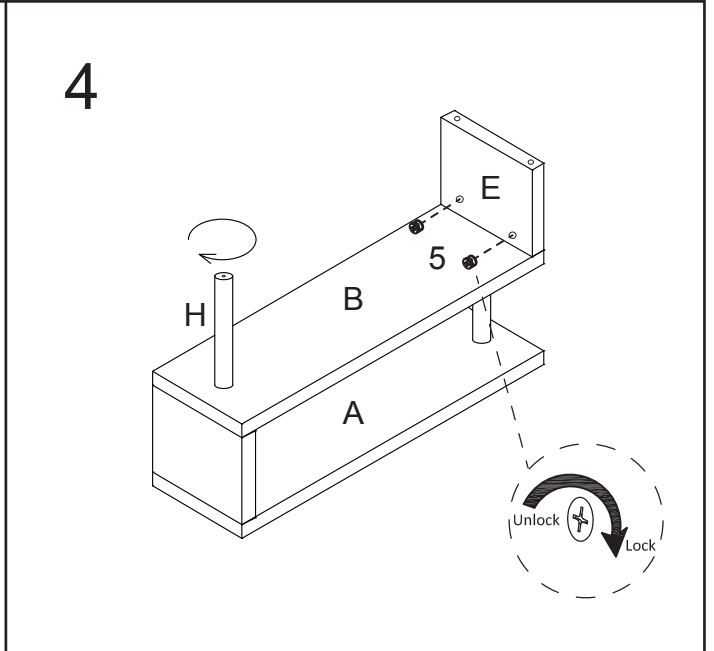
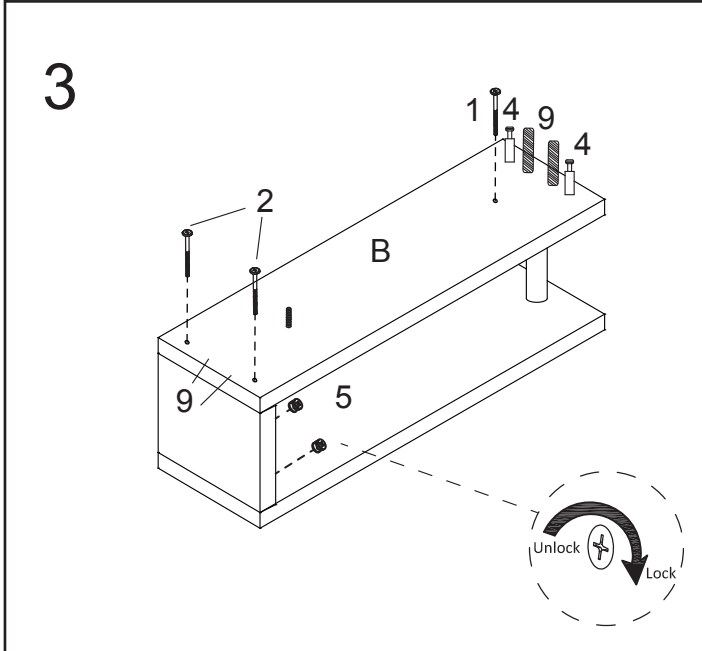
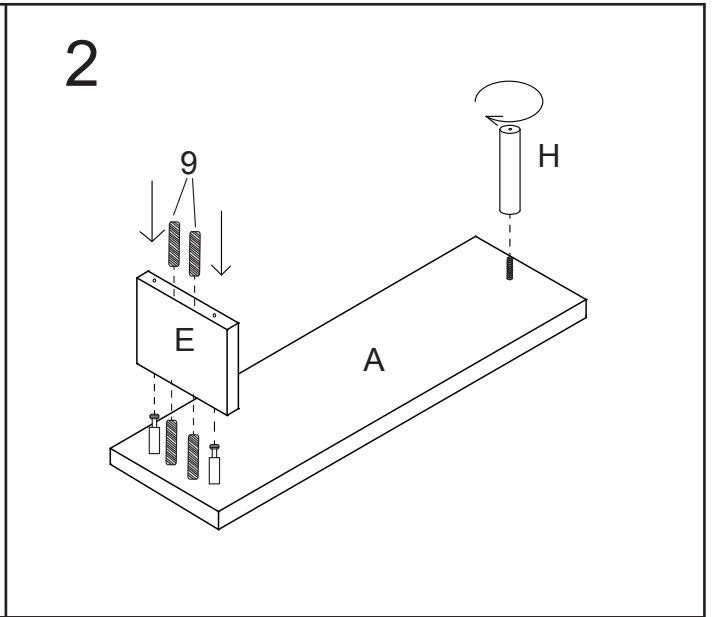
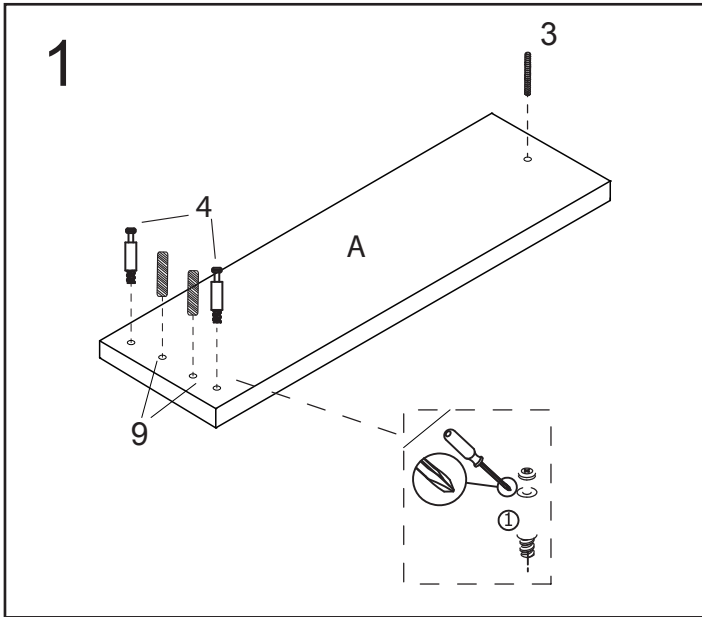
PART LIST

BOX 1/2

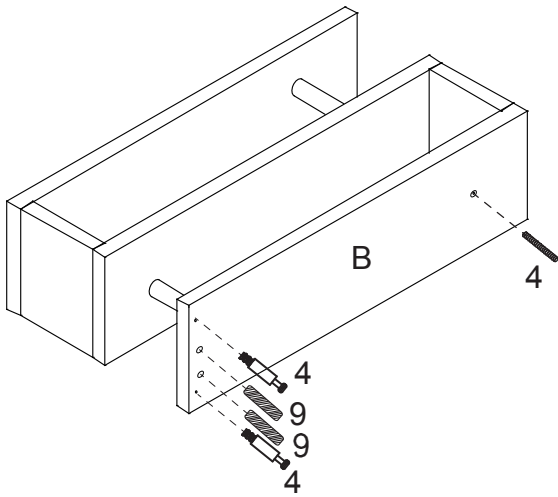
 <p>F X1</p>	 <p>G X1</p>	 <p>I X2</p>
---	---	---

BOX 2/2

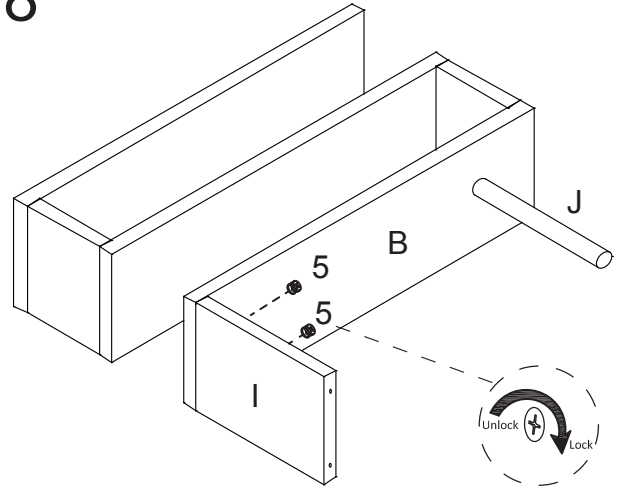
 <p>A X1</p>	 <p>B X3</p>	 <p>C X1</p>	
 <p>D X1</p>	 <p>E X2</p>	 <p>H X2</p>	
 <p>J X2</p>	 <p>1 X4</p>	 <p>2 X8</p>	 <p>3 X4</p>
 <p>4 X8</p>	 <p>5 X8</p>	 <p>6 X4</p>	 <p>7 X4</p>
 <p>8 X4</p>	 <p>9 X20</p>	 <p>X6</p>  <p>X8</p>	



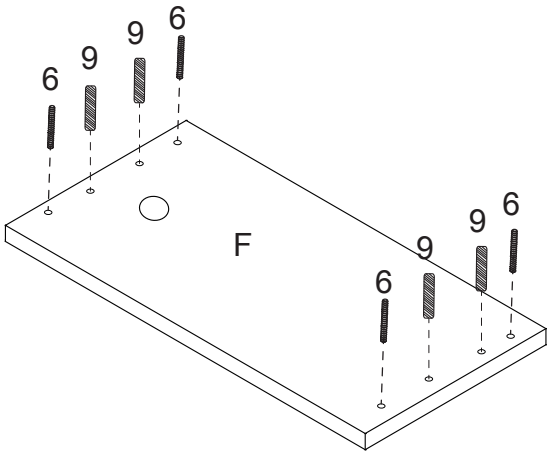
7



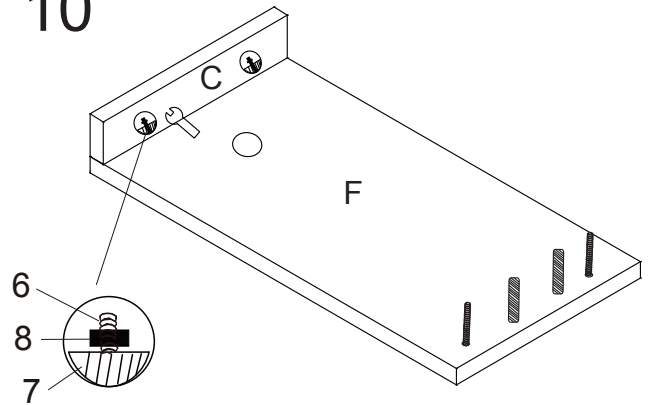
8



9

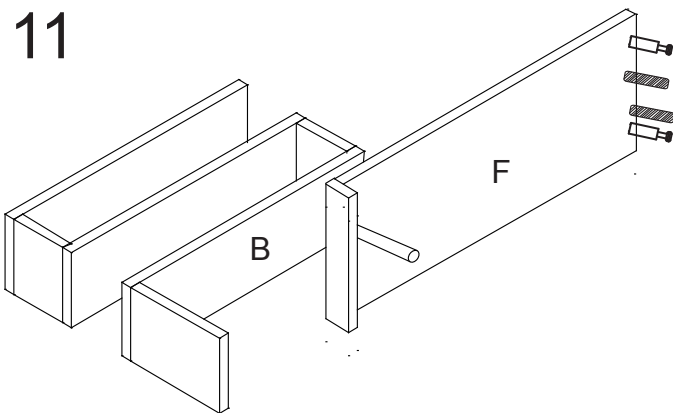


10

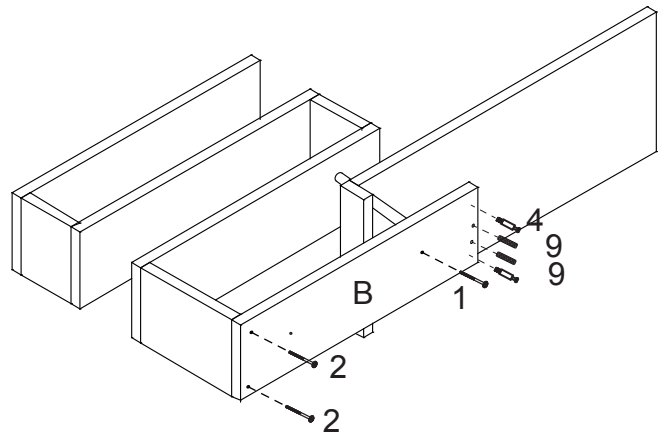


put the table panle(C) on the top(F).
then setup the quadrant link(7) on the
screw(6), then use tools and nut(8) tighten.

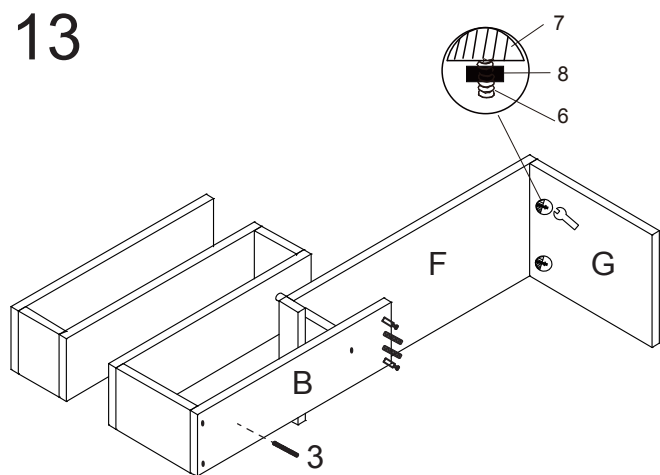
11



12

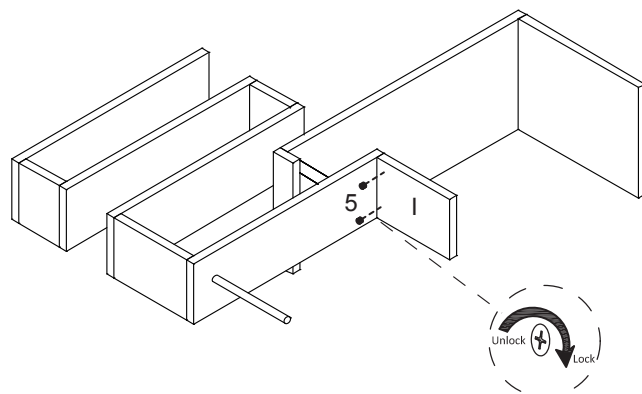


13

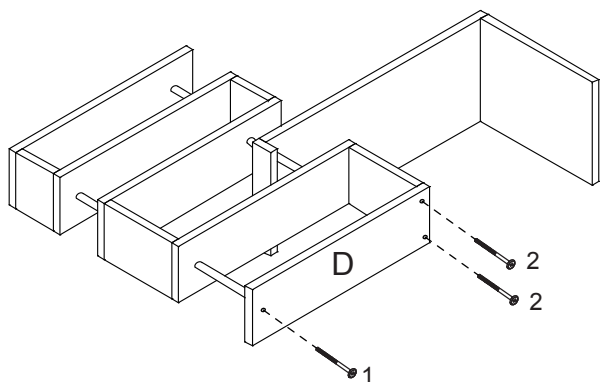


put the table panel(G) on the top(F).
then setup the quadrant link(7) on the
screw(6), then use tools and nut(8) tighten

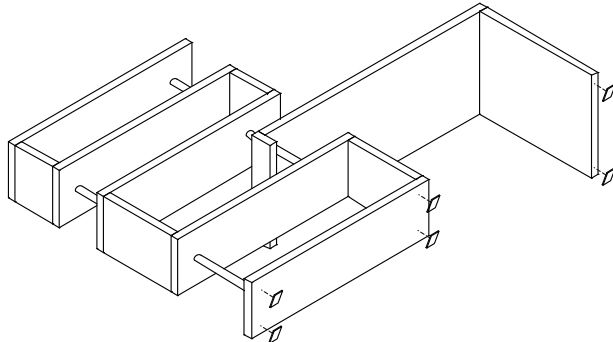
14



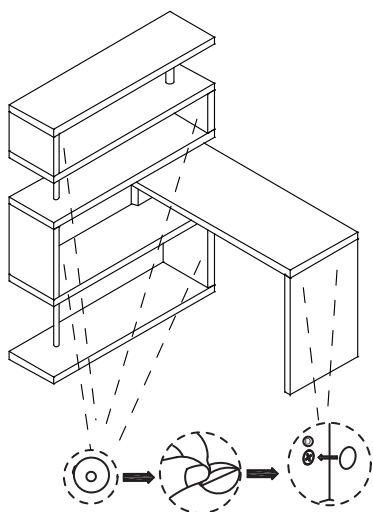
15



16



17



Apply the sticker to cover the hole.

