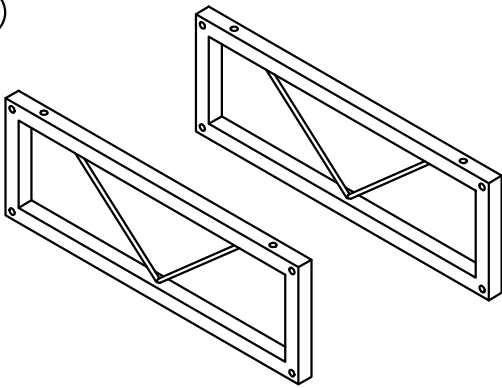
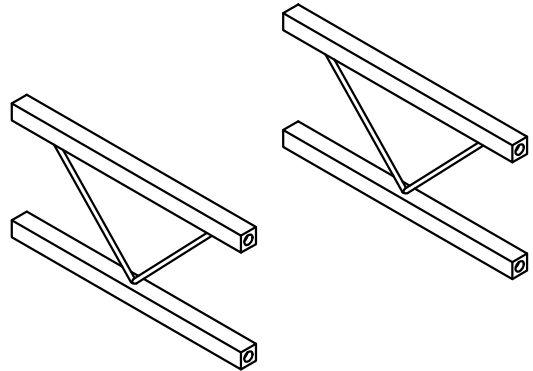


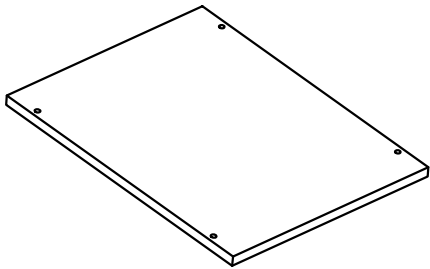
1



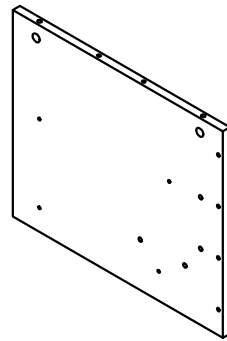
2



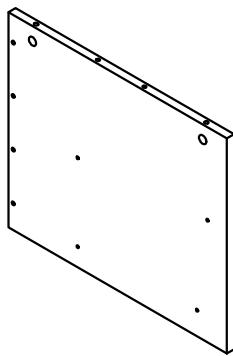
3



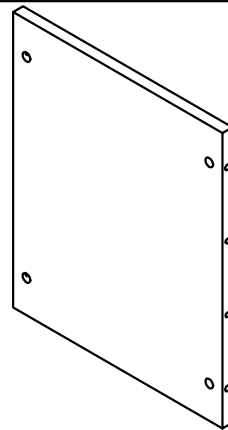
4



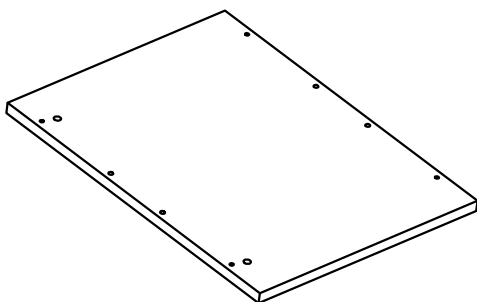
5



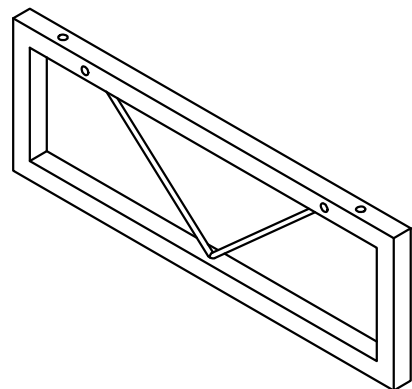
6



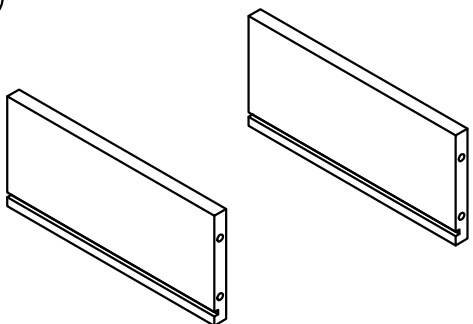
7



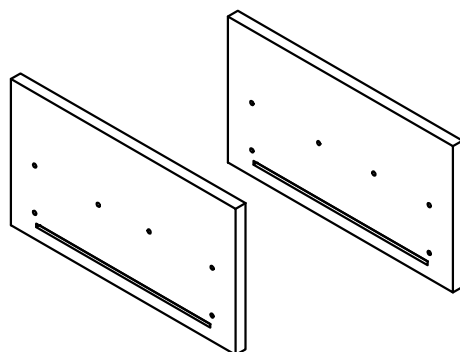
8



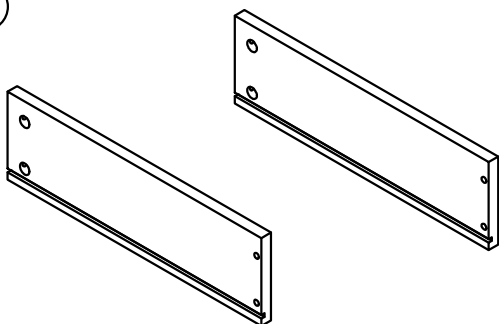
9



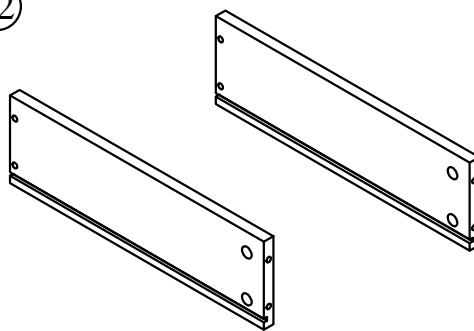
10



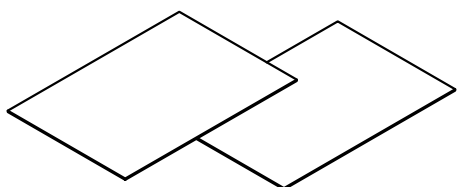
11



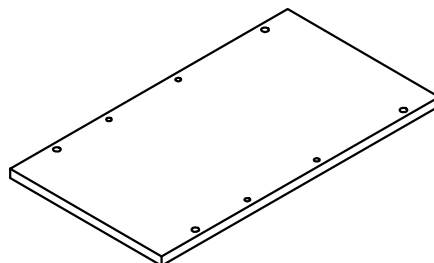
12



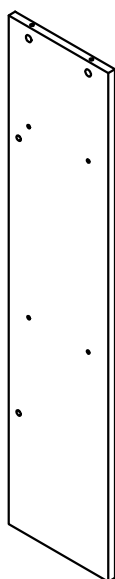
13



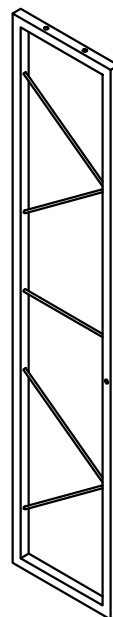
14



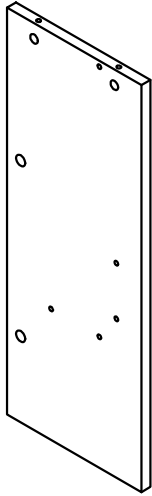
15



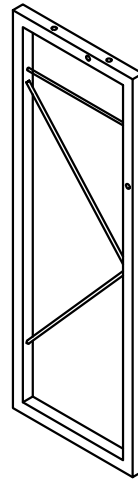
16



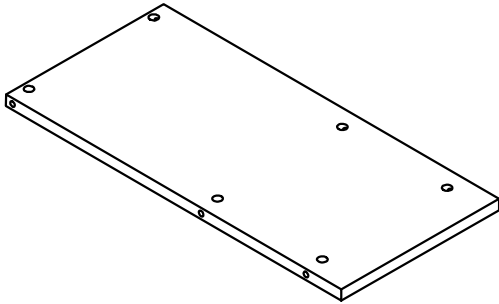
17



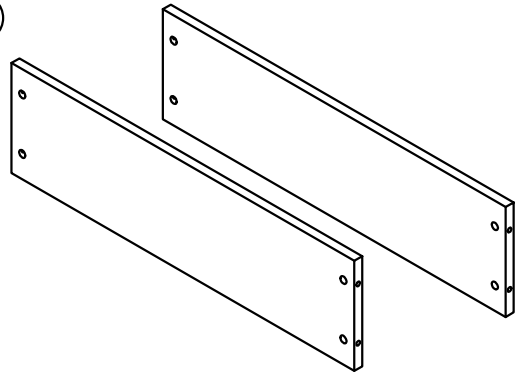
18



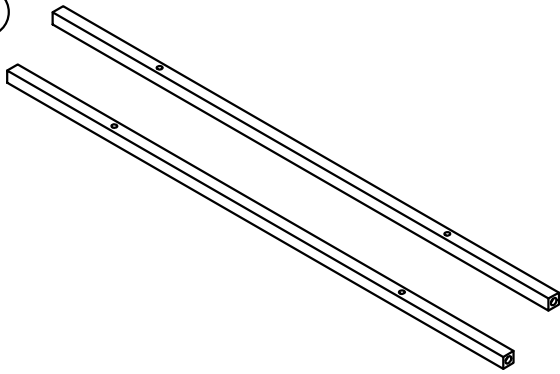
19



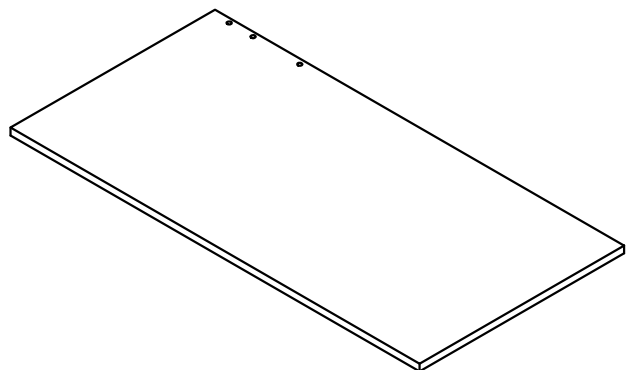
20



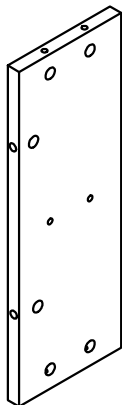
21



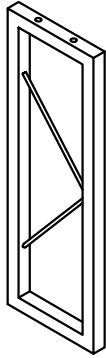
22



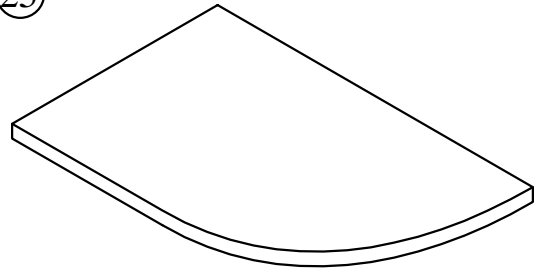
23



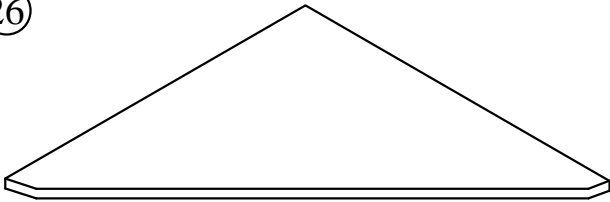
24



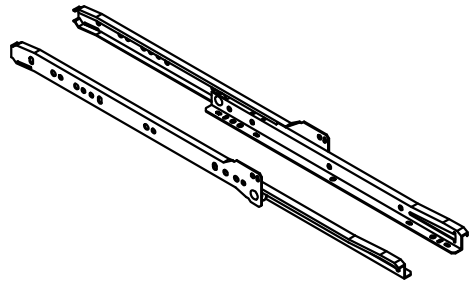
25



26

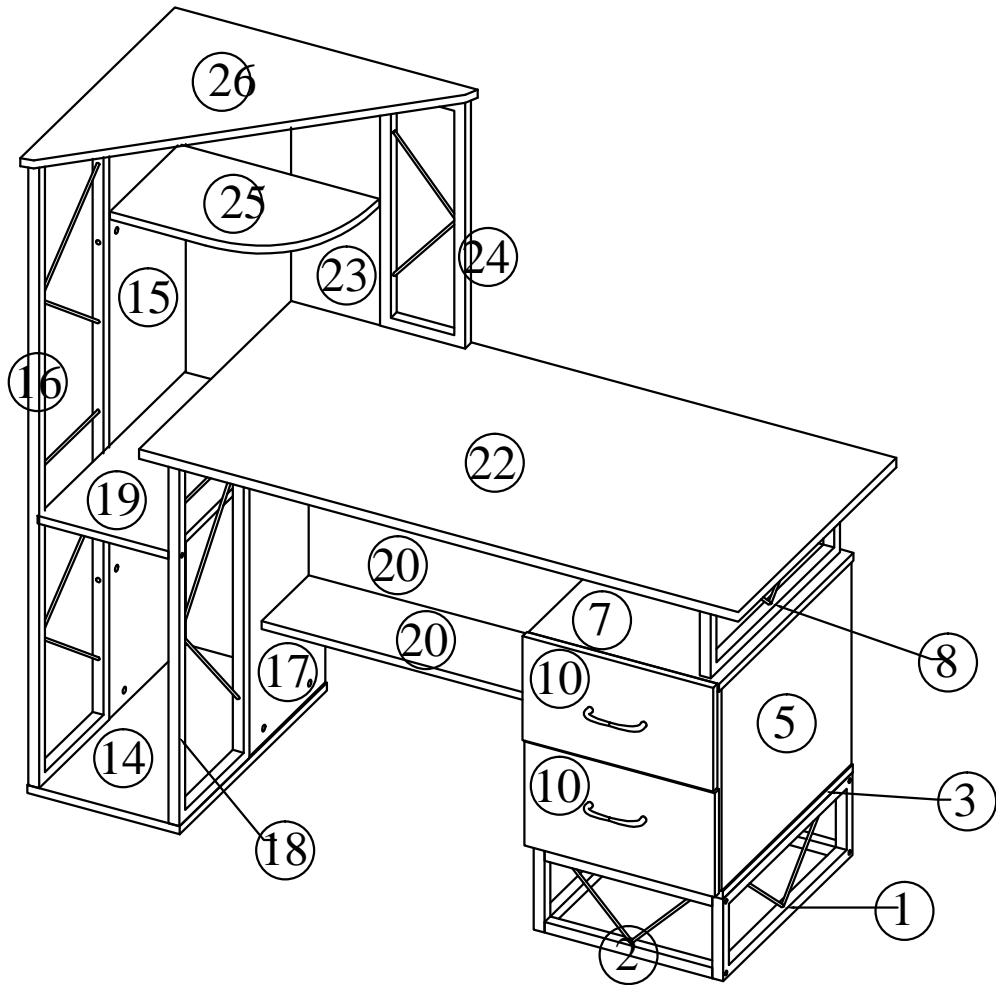







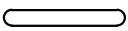



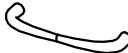

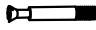




27



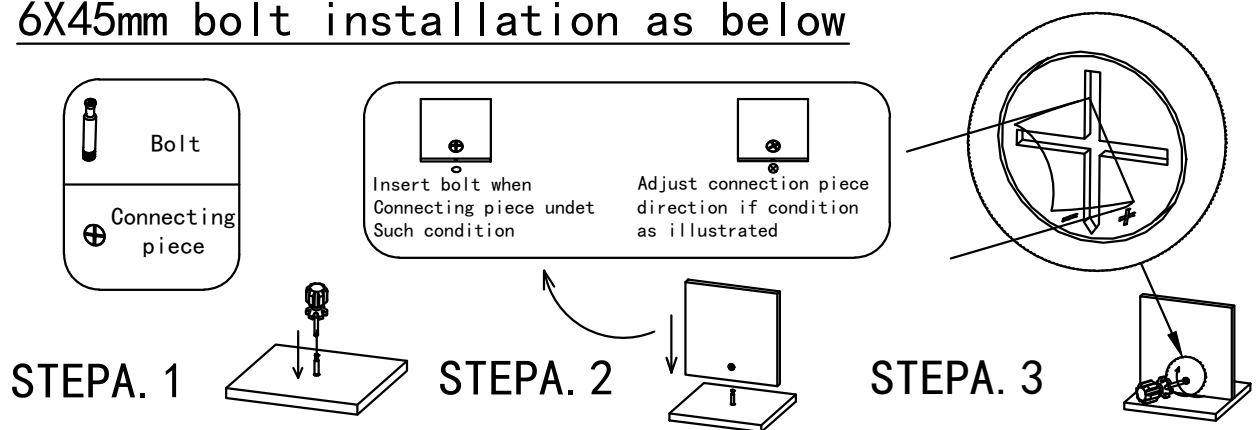
16'

2 Sets

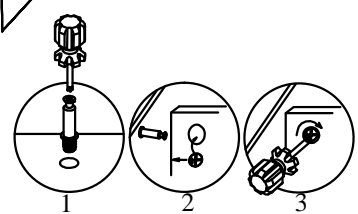






PART	ITEM	QTY.		PART	ITEM	QTY.	
A	M6X50	10		I		24	
B	M6X35	12		J		36	
C	M6X30	22		K	6X40	8	
D		4		L	M6	4	
E	M5X40	18		M		2	
F	M4X20	4		N		12	
G	M3.5X14	16		O		10	
H	M3X24	4		P			

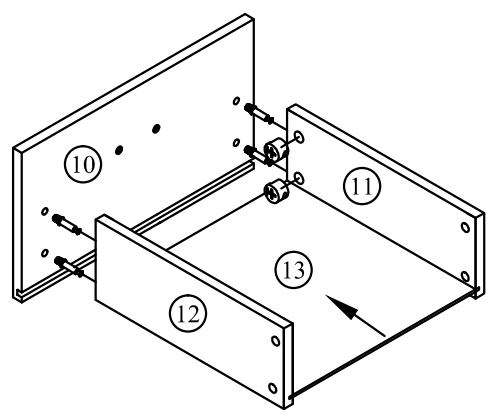
6X45mm bolt installation as below



1



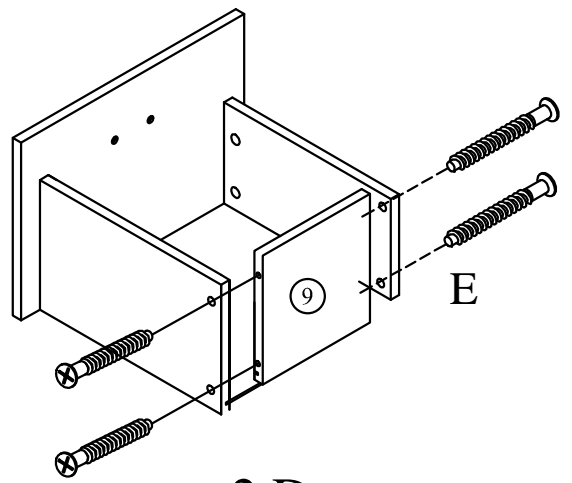
.SCREWS	
I	
8 PCS	
J	
8 PCS	



x 2 Drawers



2

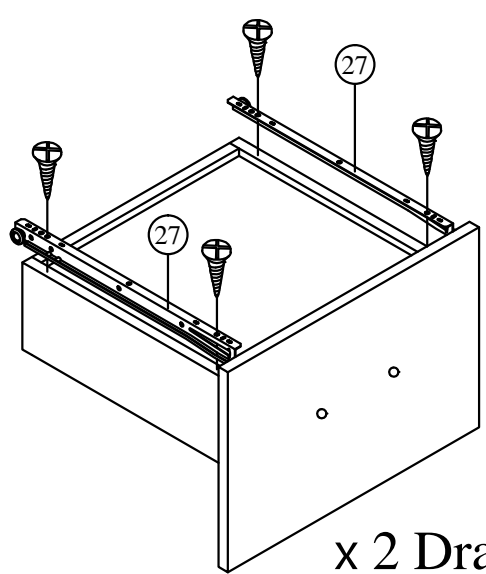
.SCREWS	
E	
8 PCS	



x 2 Drawers




3

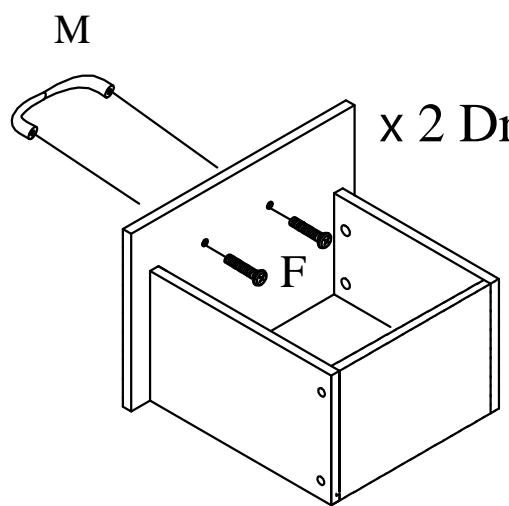
.SCREWS	
G	
8 PCS	



x 2 Drawers

4

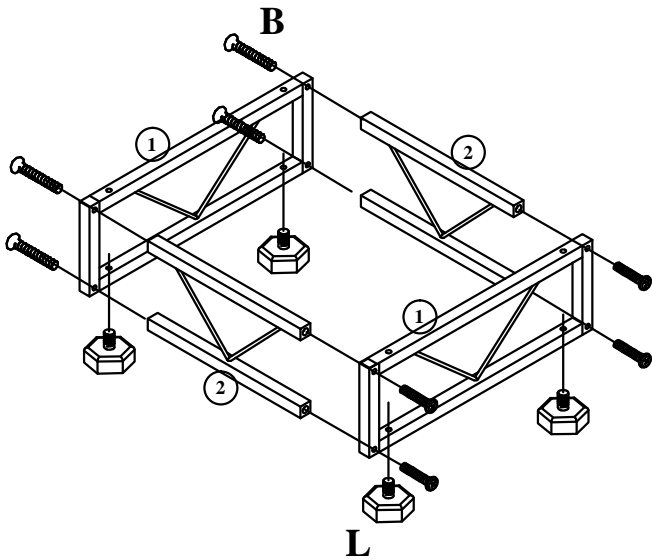
.SCREWS	
F	
4 PCS	
M	
2 PCS	



x 2 Drawers

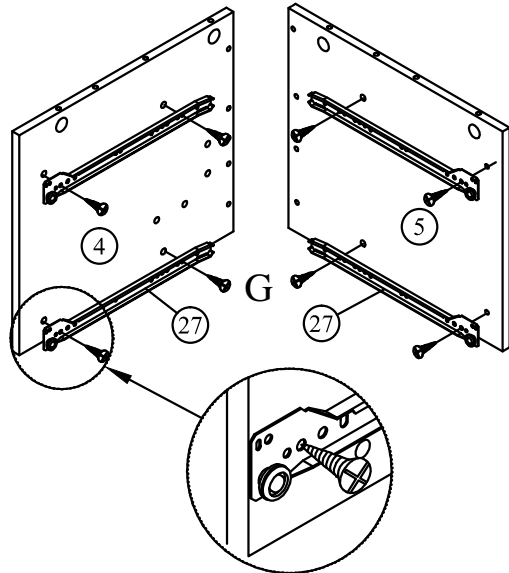
5

. SCREWS	
B	M6X35 8PCS
L	4PCS



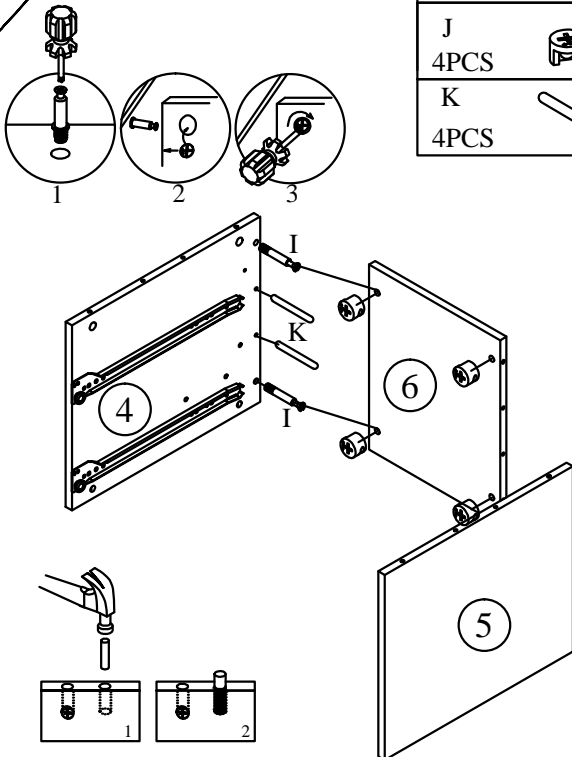
6

. SCREWS	
G	M3.5X14 8PCS



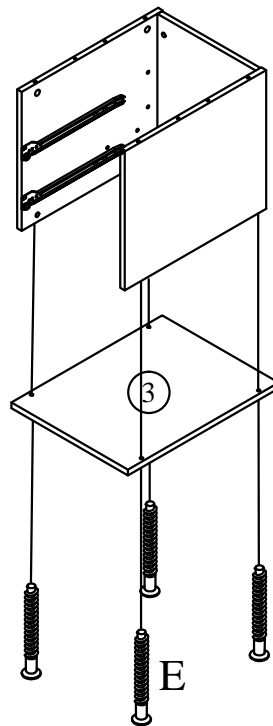
7

. SCREWS	
I	4PCS
J	4PCS
K	4PCS

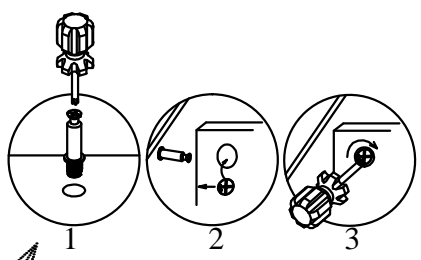


8

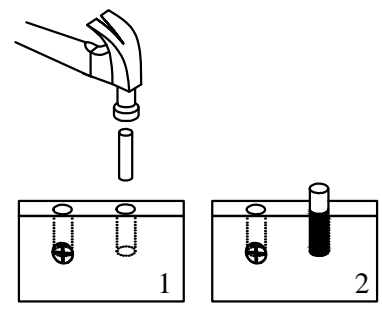
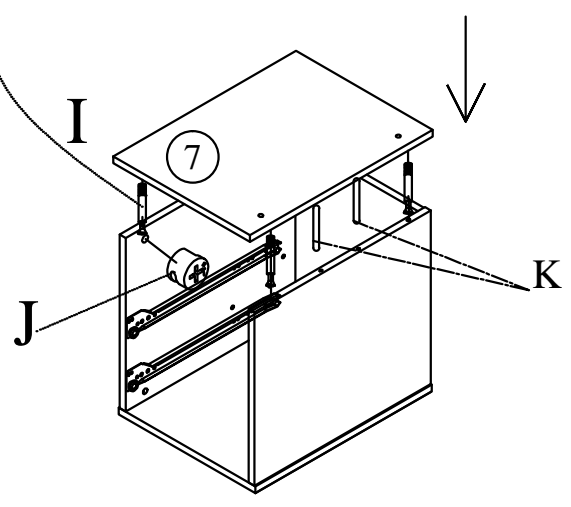
. SCREWS	
E	M5X40 4 PCS



9

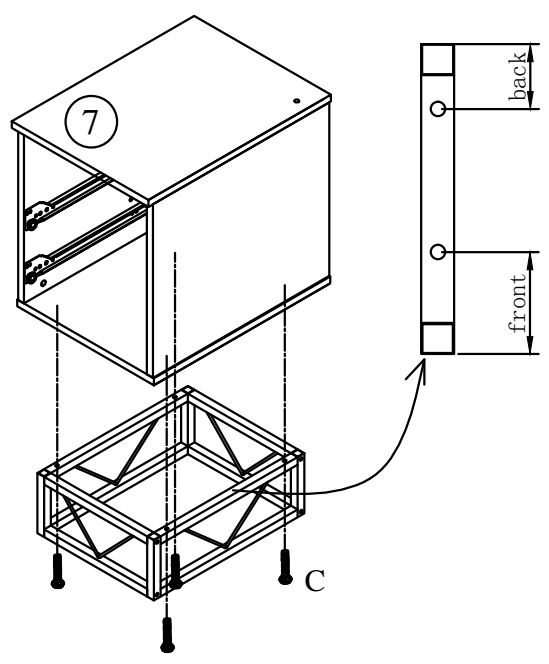


. SCREWS	
I	4 PCS
J	4 PCS
K	4 PCS



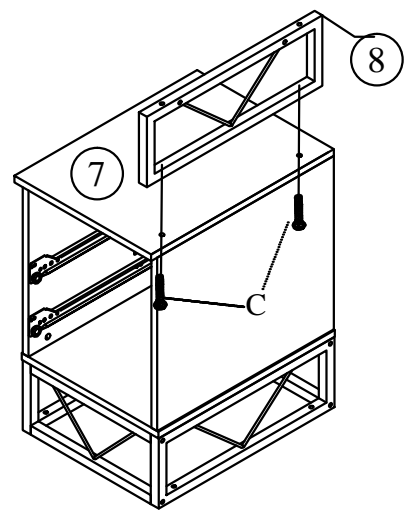
10

. SCREWS	
C	M6X30
	4 PCS



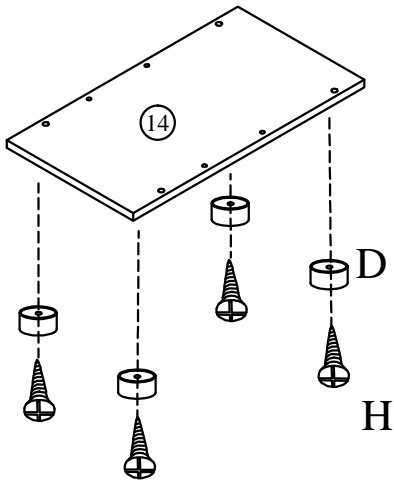
11

. SCREWS	
C	M6X30
	2 PCS



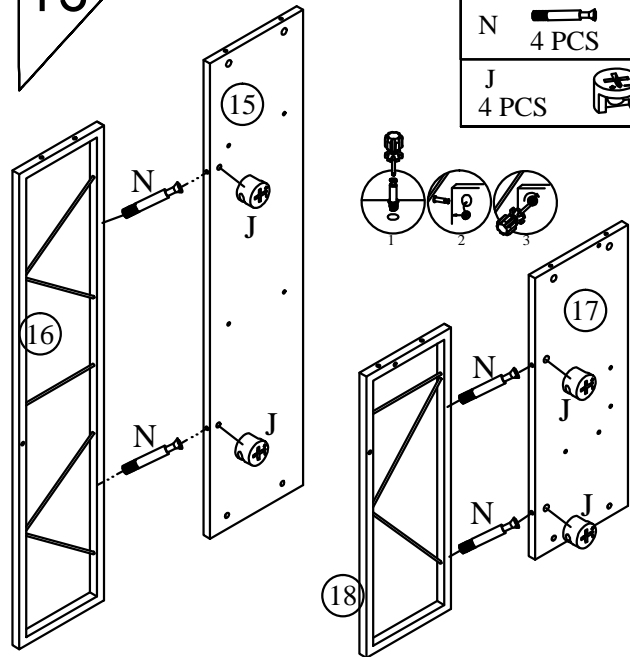
12

. SCREWS	
H	M3X24 4 PCS
D	4 PCS



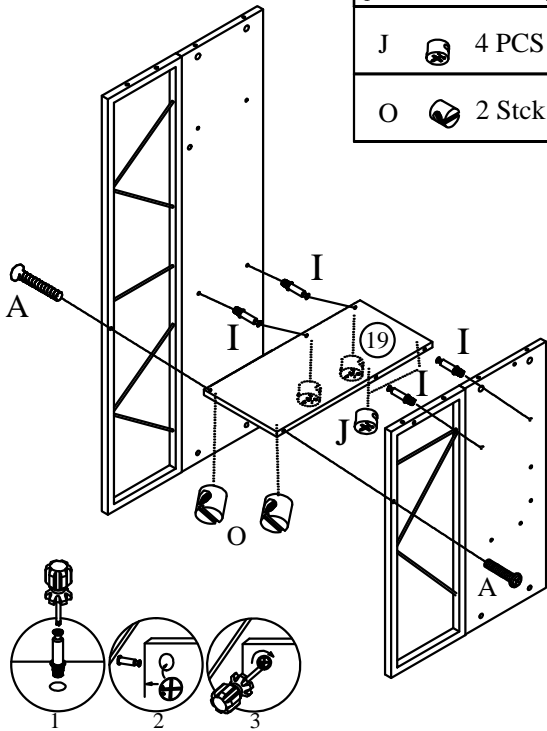
13

. SCREWS	
N	4 PCS
J	4 PCS



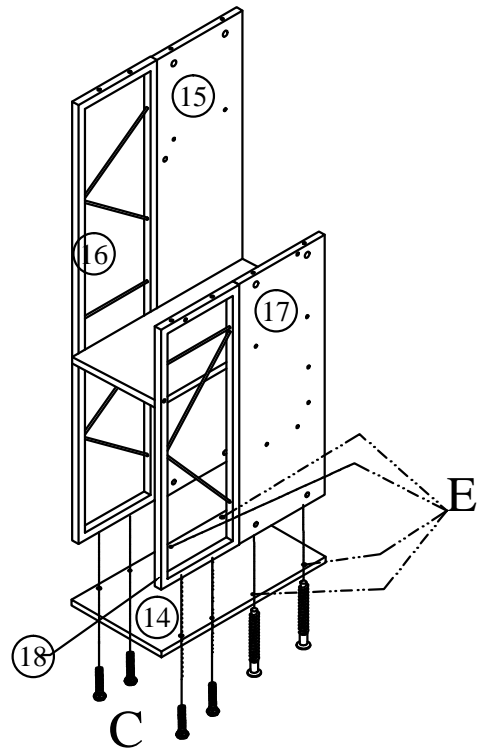
14

. SCREWS	
I	4 PCS
A	M6X50 2 PCS
J	4 PCS
O	2 Stck

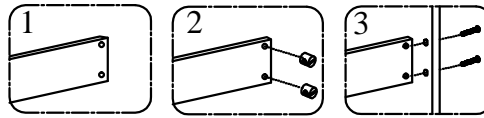


15

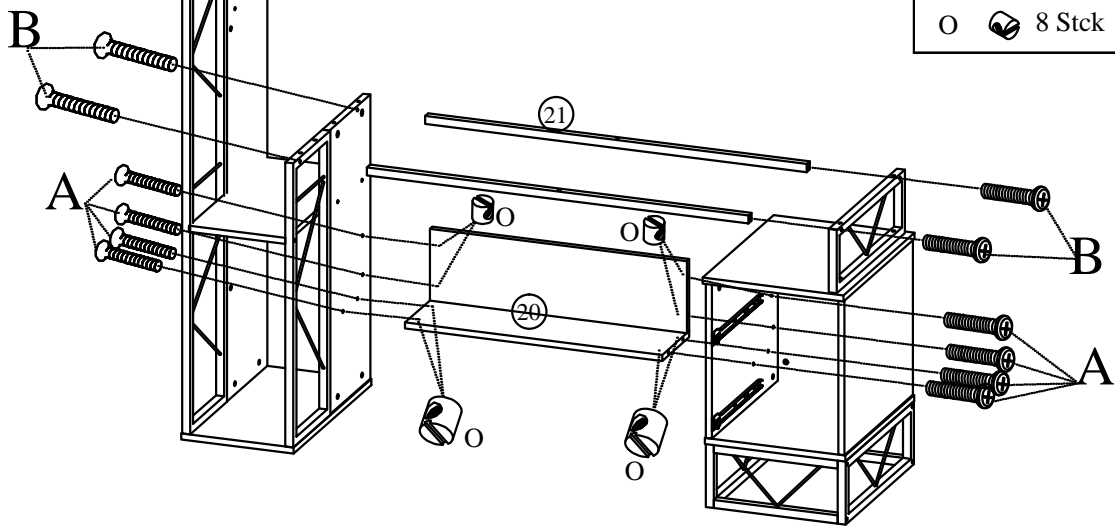
. SCREWS	
C	M6X30 4 PCS
E	M5X40 4 PCS



16

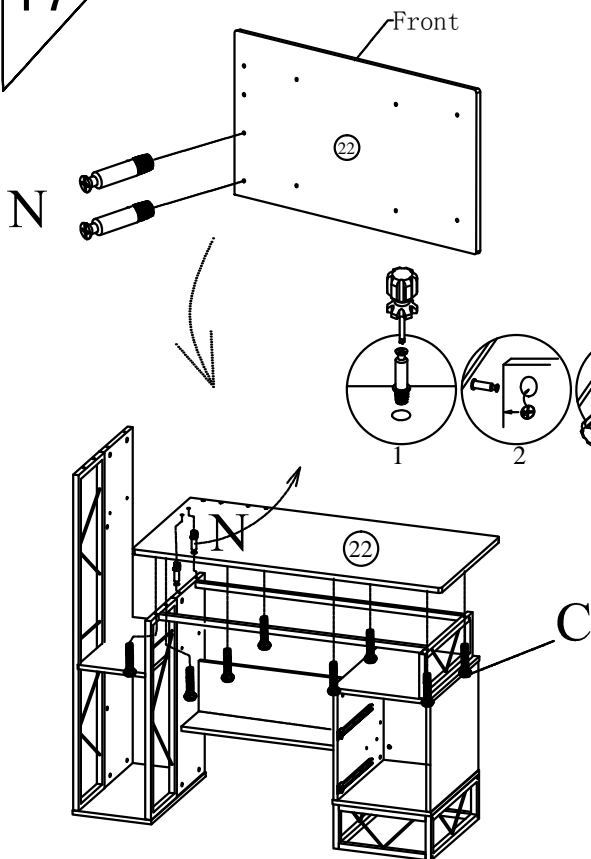


. SCREWS	
A	M6X50 8 PCS
B	M6X35 4 PCS
O	8 Stck



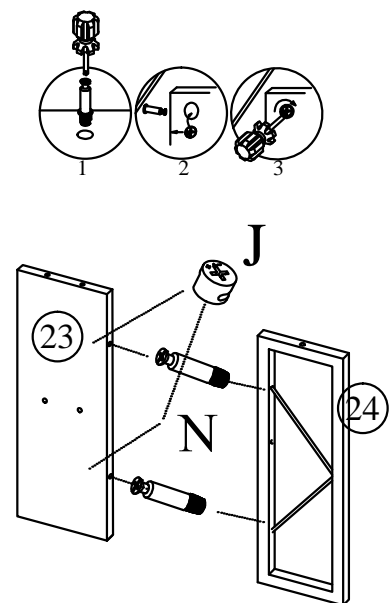
17

. SCREWS	
J	2PCS
C	M6X30 8PCS
N	2PCS

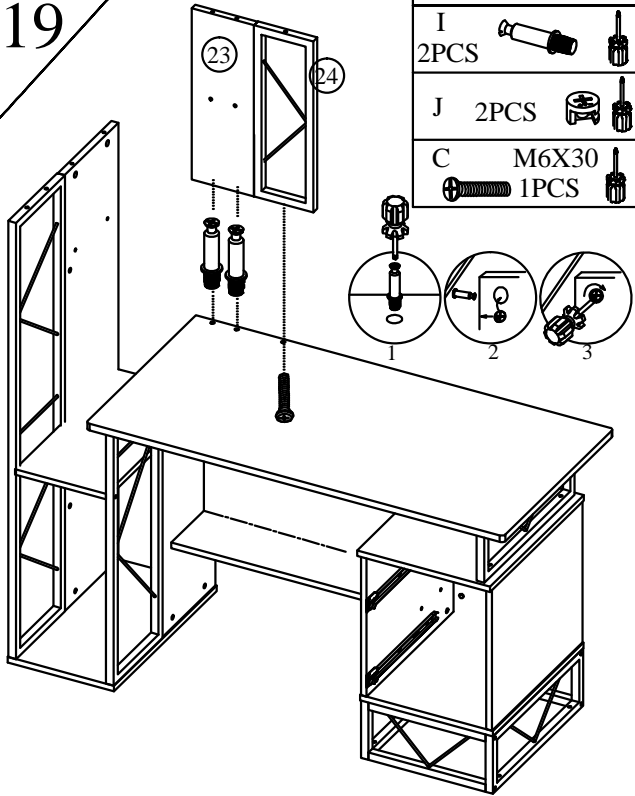


18

. SCREWS	
J	2PCS
N	2PCS



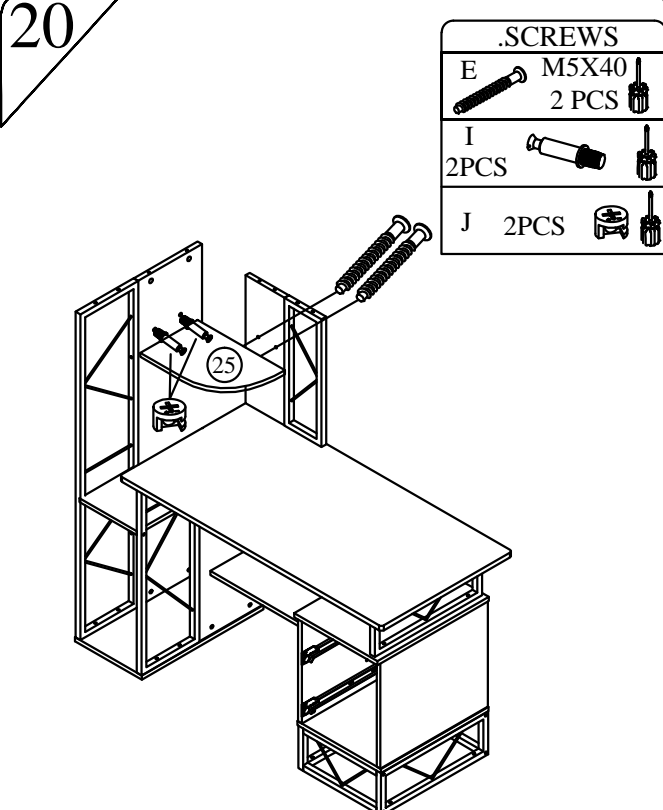
19



.SCREWS

- I 2PCS
- J 2PCS
- C M6X30 1PCS

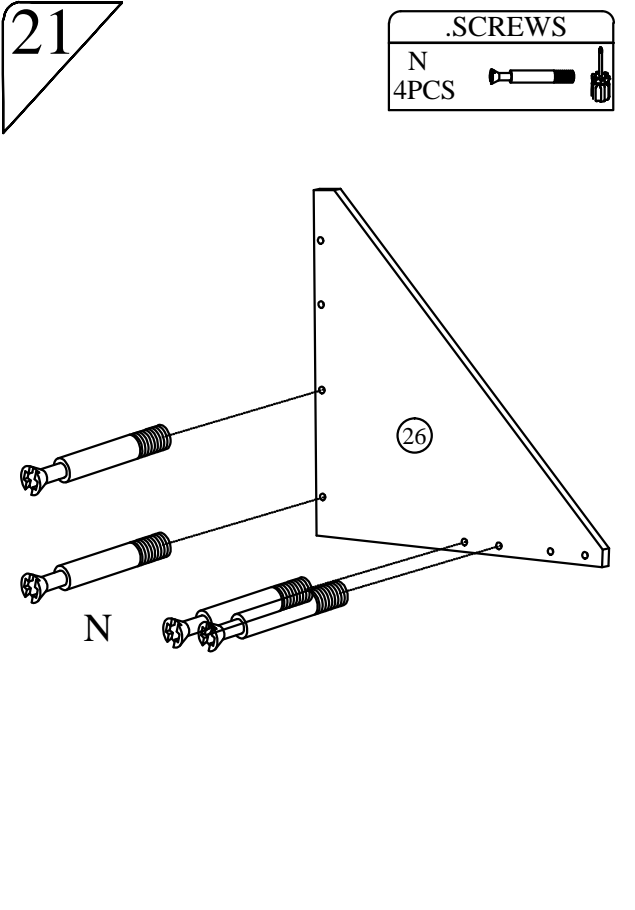
20



.SCREWS

- E M5X40 2 PCS
- I 2PCS
- J 2PCS

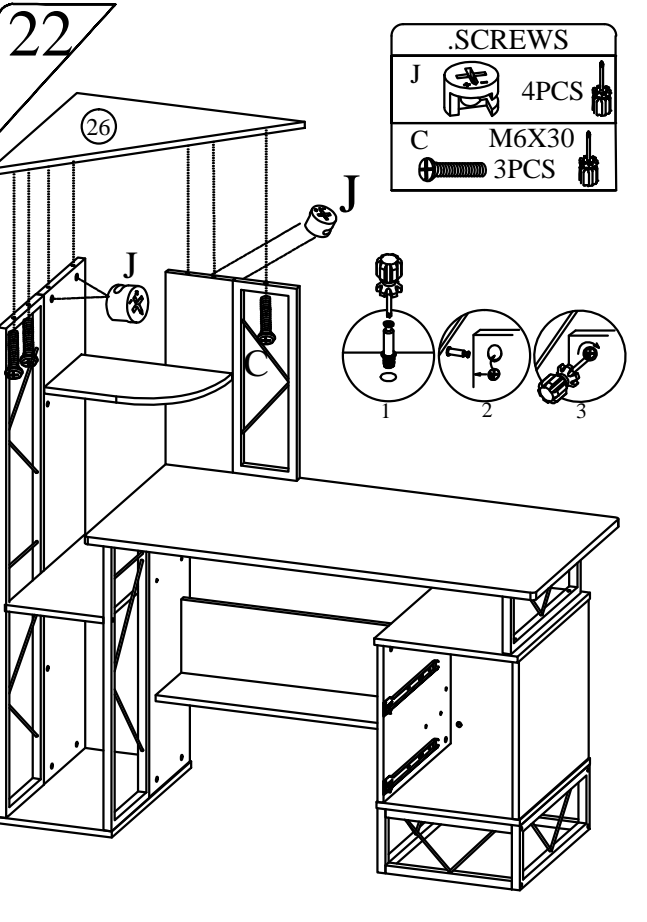
21



.SCREWS

- N 4PCS

22



.SCREWS

- J 4PCS
- C M6X30 3PCS