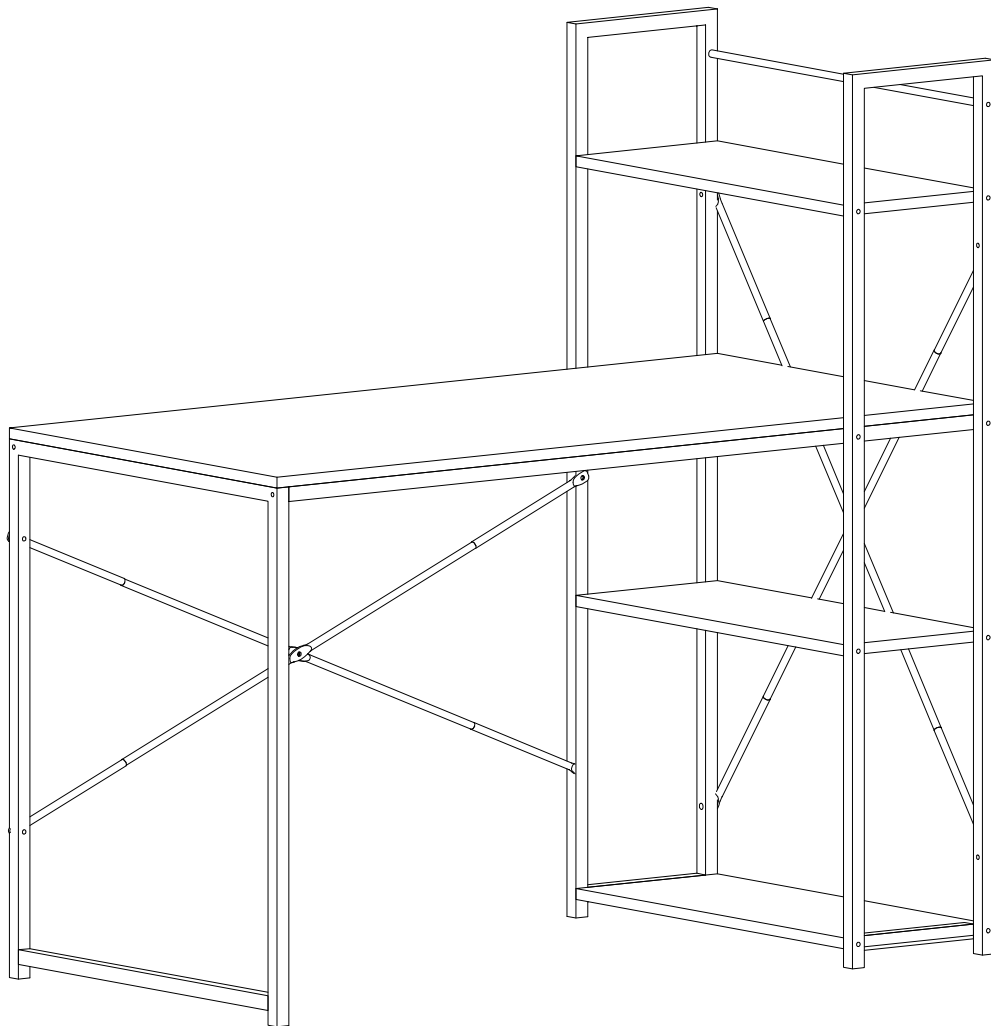


833-397/833-397BK/833-397WT

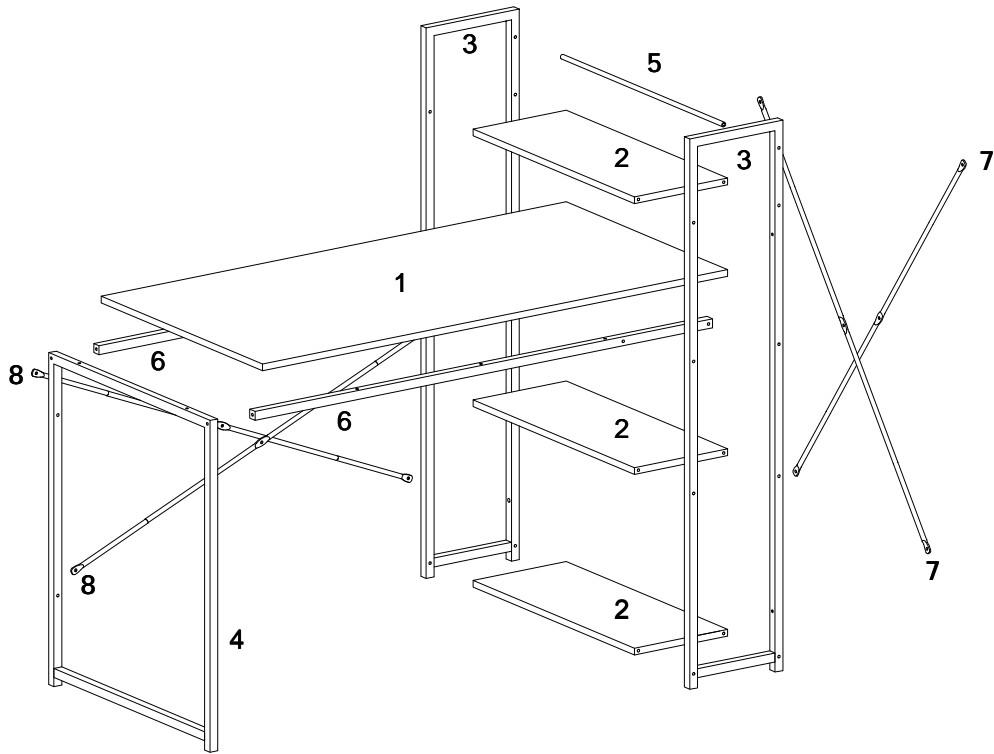


Please read these instructions and warranty information carefully before use and keep them properly for future reference.

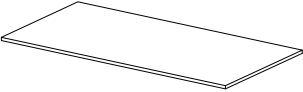
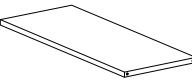
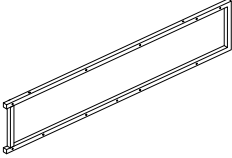

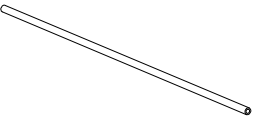



OPERATING INSTRUCTIONS

ASSEMBLY INSTRUCTION

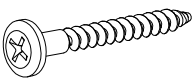
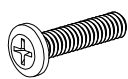
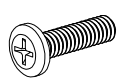
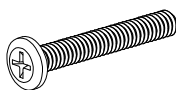
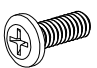
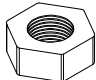

Decomposition of components



Please check the board number and quantity

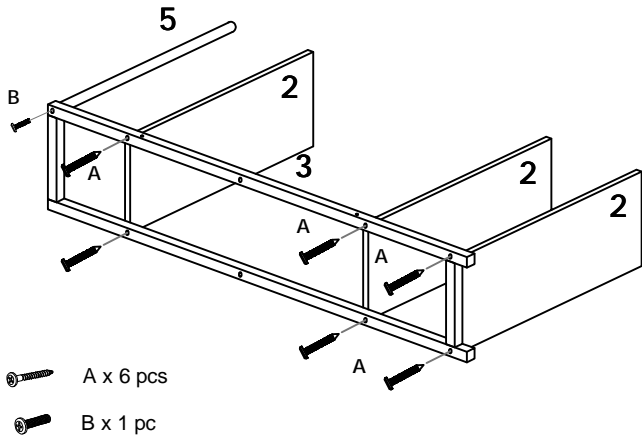
1  1200*600 1 pc	2  600*238 3 pcs	3  2 pcs	4  1 pc
5  1 pc	6  2 pcs	7  2 pcs	8  2 pcs
9	10	11	12

Please check the number and quantity

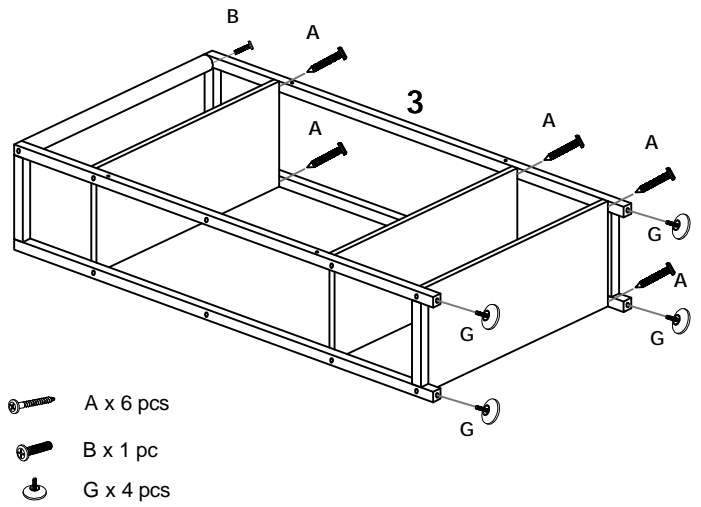
A  M6*55 12 pcs	B  M6*35 2 pcs	C  M6*30 16 pcs	D  M6*45 4 pcs	E  M6*10 2 pcs
F  14 pcs	G  6 pcs	H	I	J

ASSEMBLY INSTRUCTION

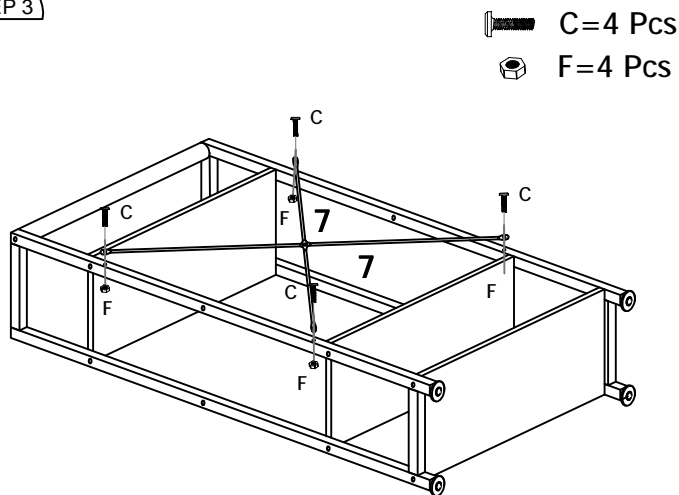
STEP 1



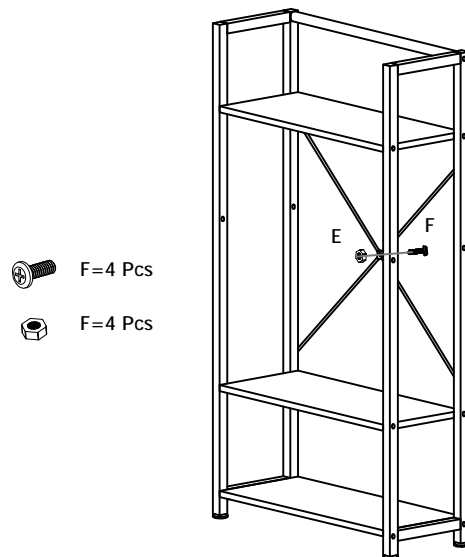
STEP 2



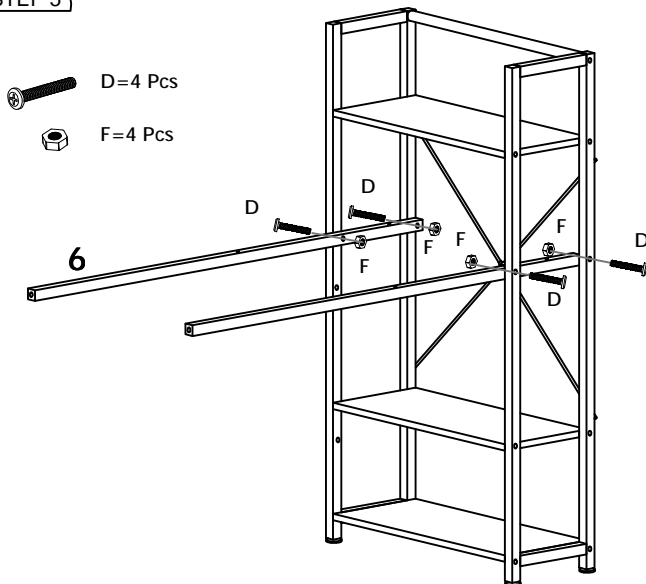
STEP 3



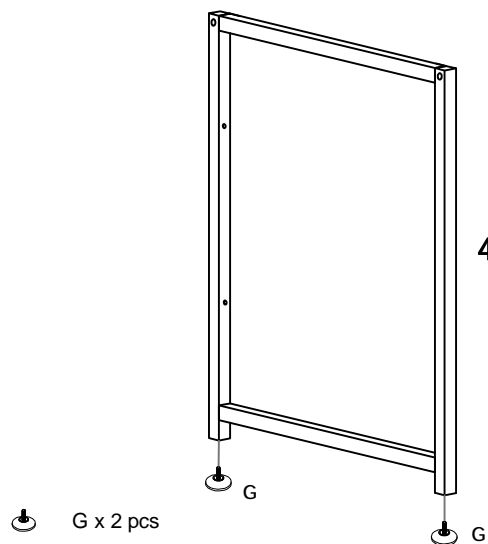
STEP 4



STEP 5

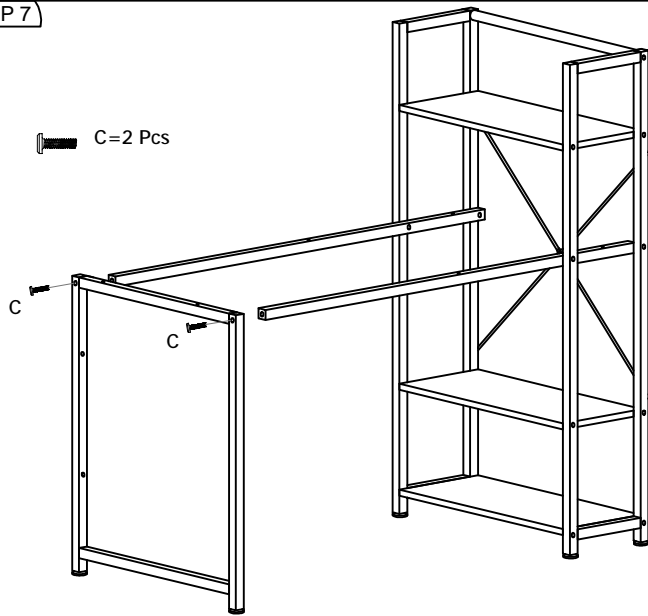


STEP 6

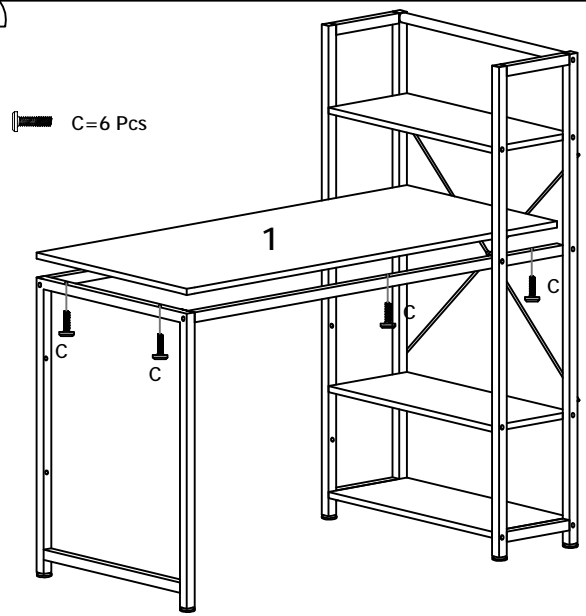


ASSEMBLY INSTRUCTION

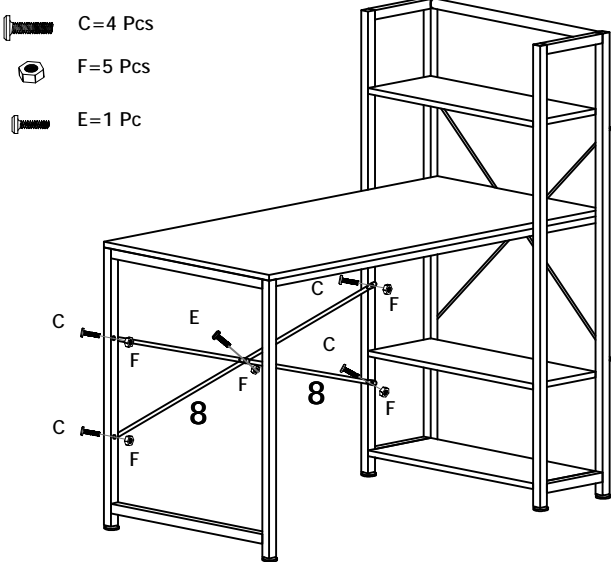
STEP 7)



STEP 8)



STEP 9)



STEP 10)

STEP 11)

STEP 12)