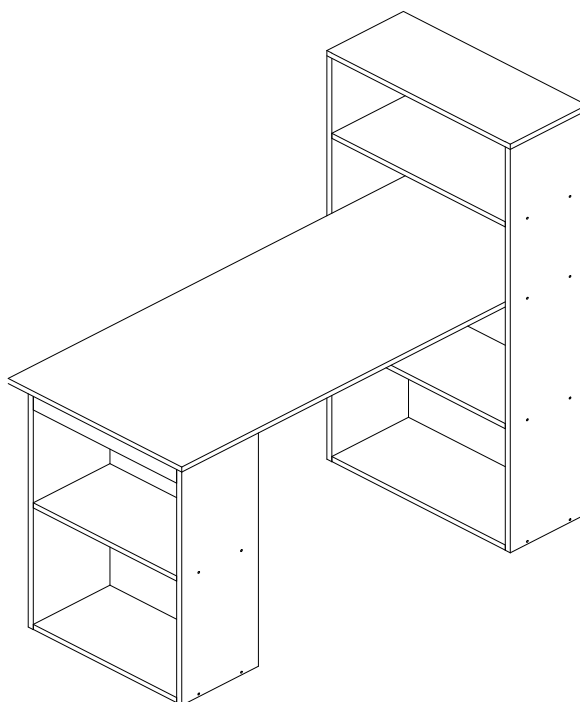




Assembly Instructions






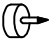


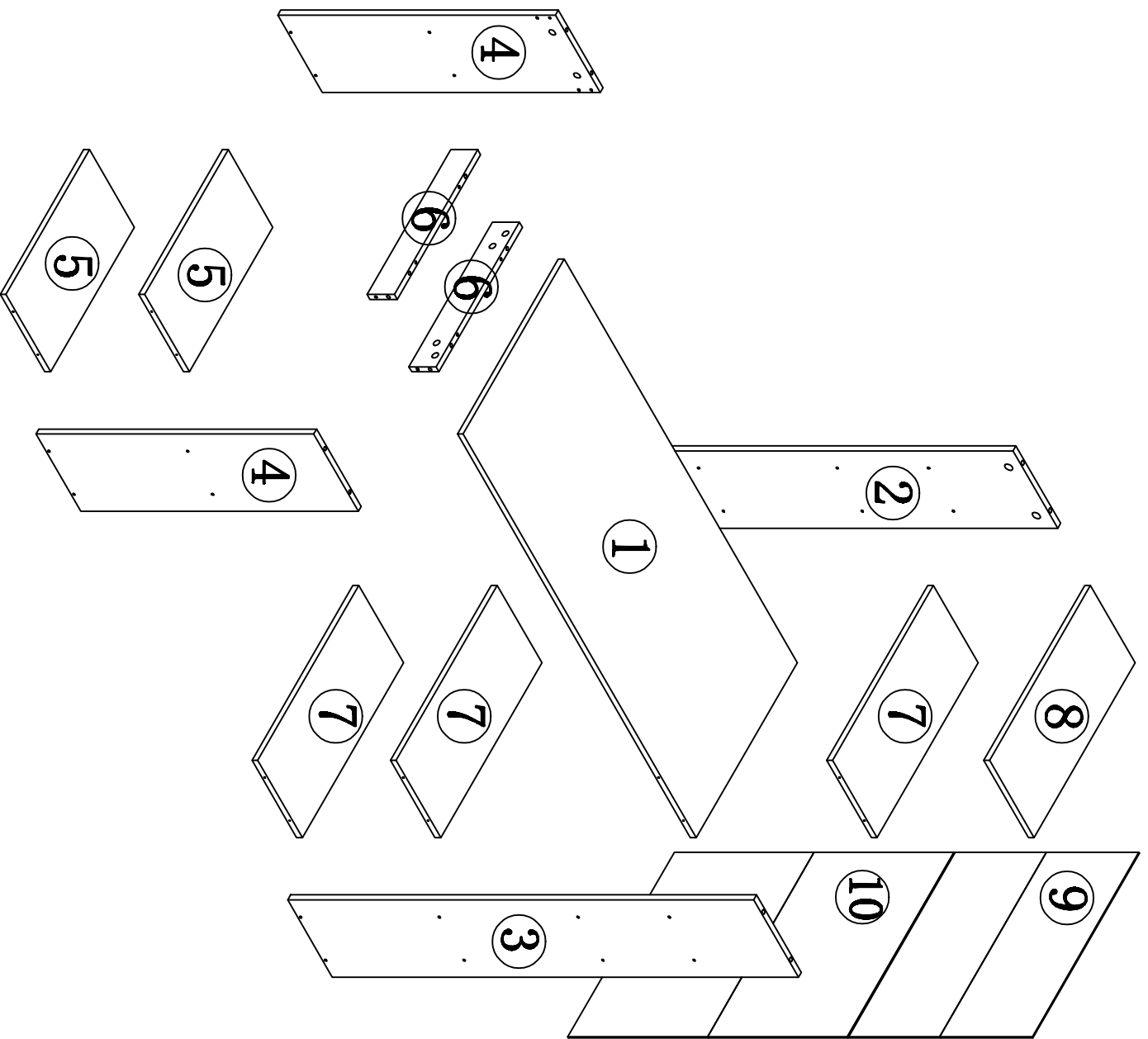
836-069BK

Special Warnings:

- * Please check that all parts are present before you start the assembly.
- * For the protection of your furniture, place all parts on a clean and smooth surface to prevent any damage.
- * For cleaning, wipe the surface with a damp (not wet) cloth or wipe dry with a clean lint free cotton cloth. Window cleaning liquid or a similar cleaning liquid can be used to clean the surface.
- * This unit is heavy. Please use an assistant when lifting. Never drag or push the pieces across the floor as this will cause damage to the joints.
- * Keep your furniture out of direct sunlight.

PARTS LIST

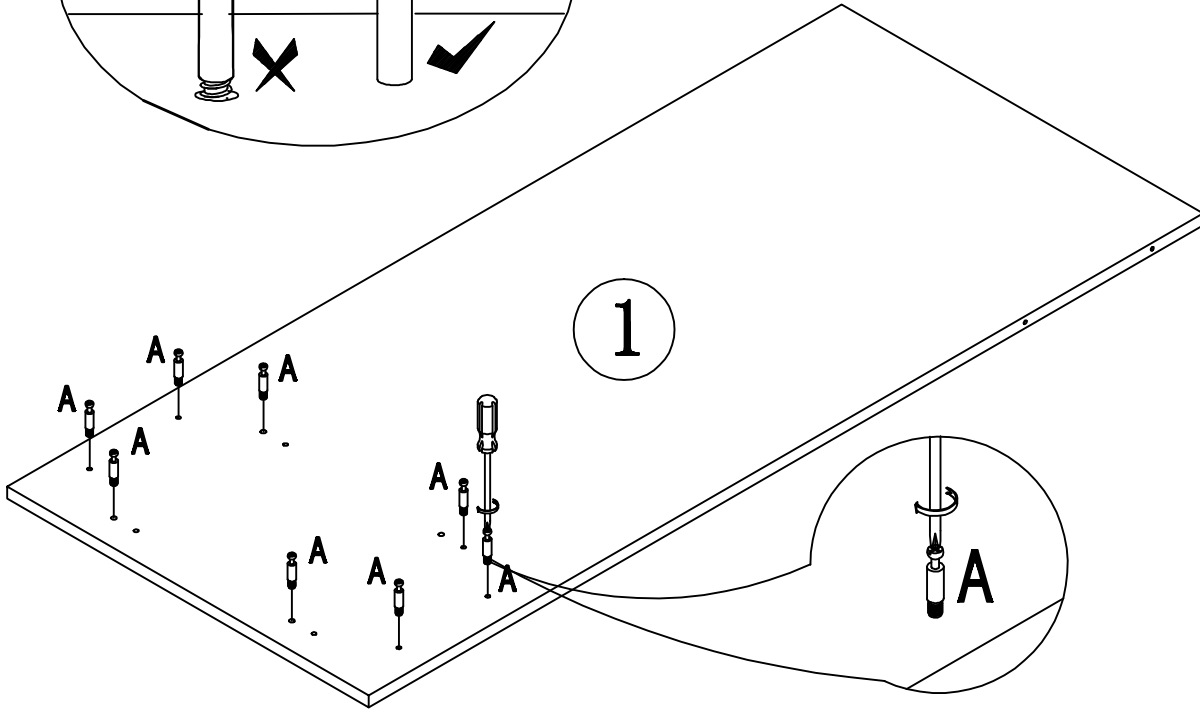
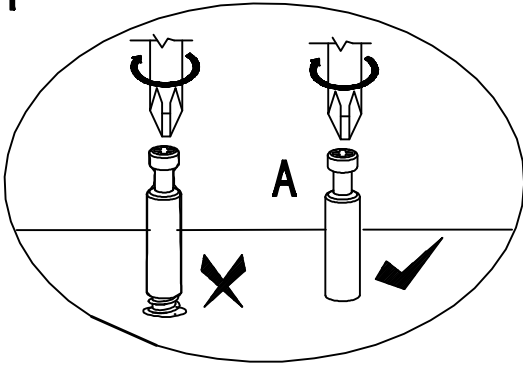
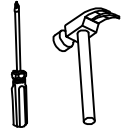
NO.	DESCRIPTION	QTY
A	 M6X34MM	16
B	 M15X12MM	16
C	 M6X30MM	8
D	 M4.7X38MM	24
E	 Neil pin	30
F	 Nail Leg	8



STEP 1

HARDWARE LIST

A  M6 8PCS

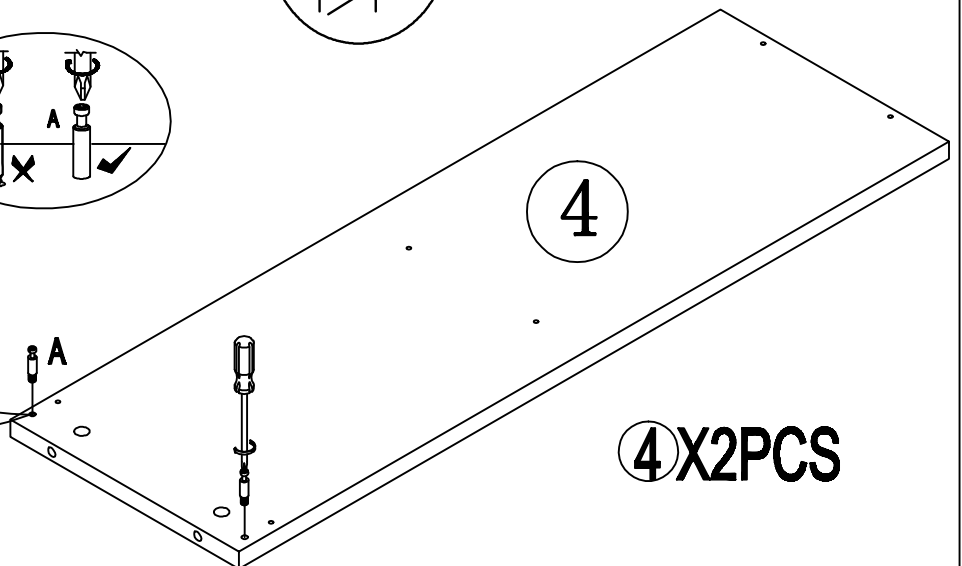
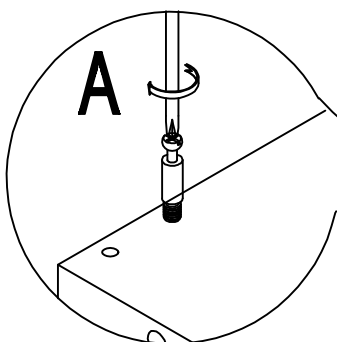
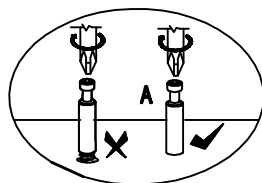
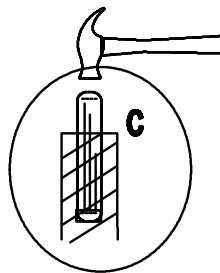
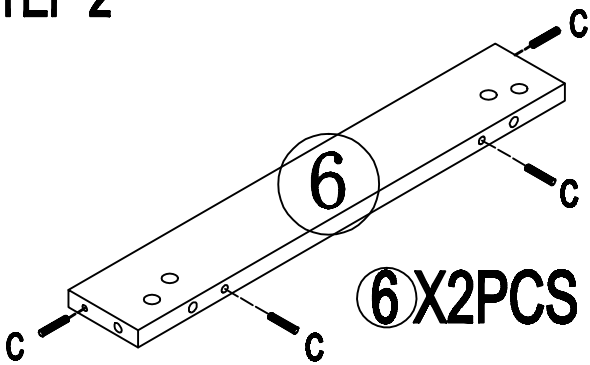


STEP 2

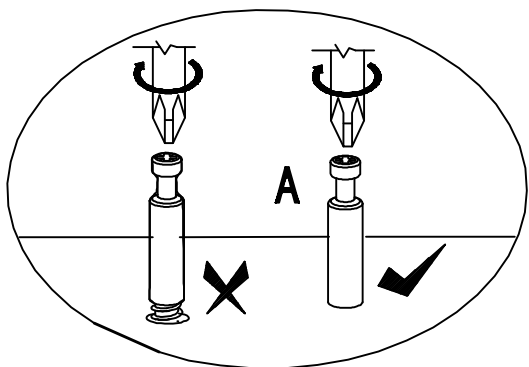
HARDWARE LIST

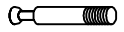


A  M6 4PCS

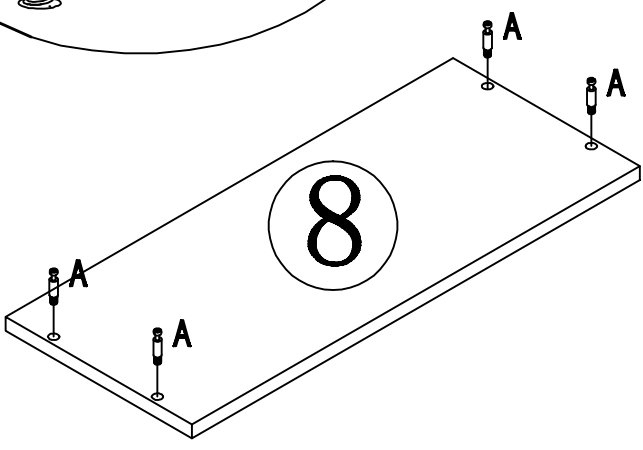
C  M6 8PCS



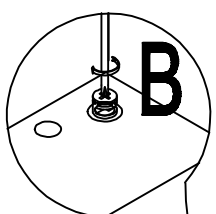
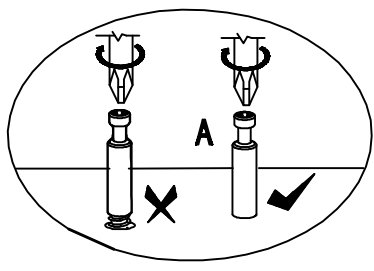
STEP 3







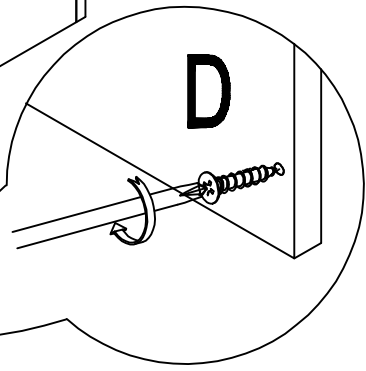
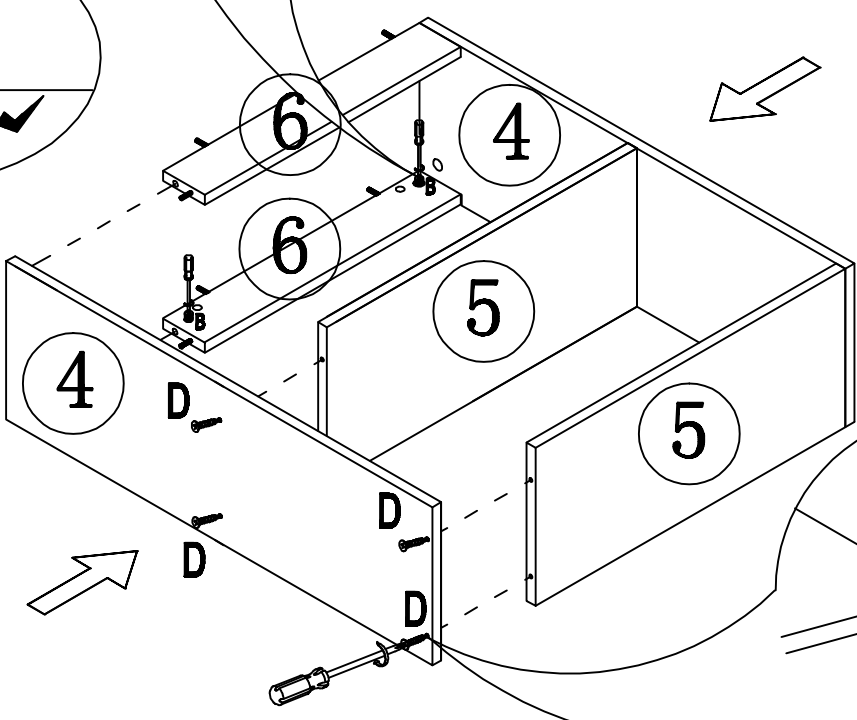
HARDWARE LIST	
A	 M6 4PCS
	 



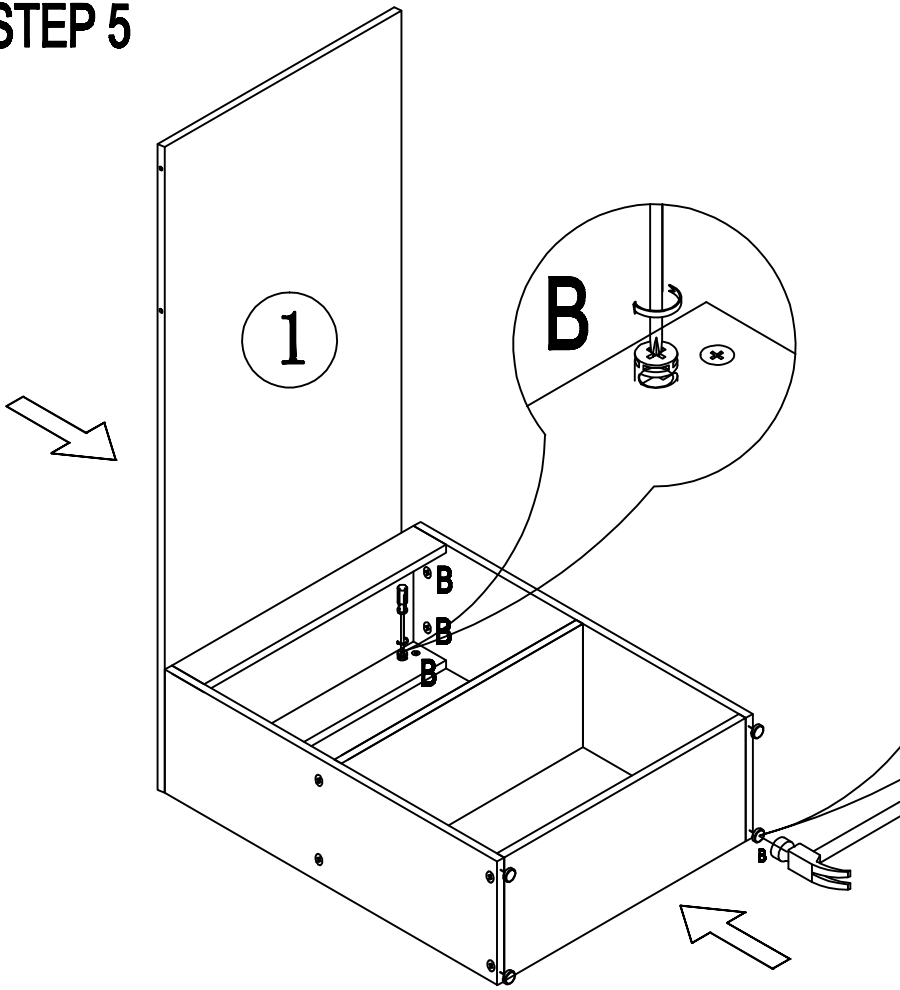
STEP 4



HARDWARE LIST	
B	 M15 4PCS
D	 M4.7 8PCS
	 



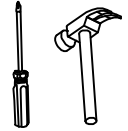
STEP 5



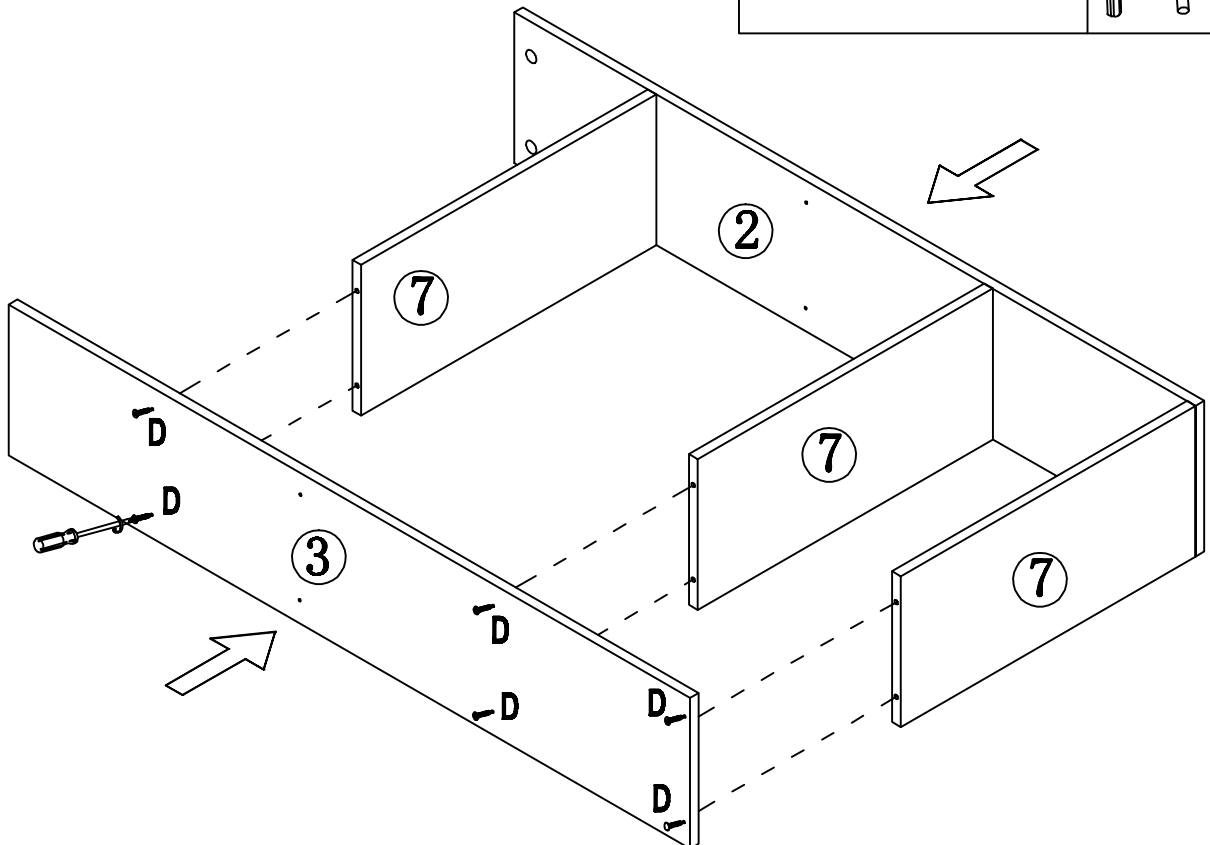
HARDWARE LIST

B  **M15 8PCS**

F  **Nail leg 4PCS**

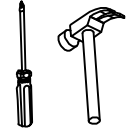


STEP 6

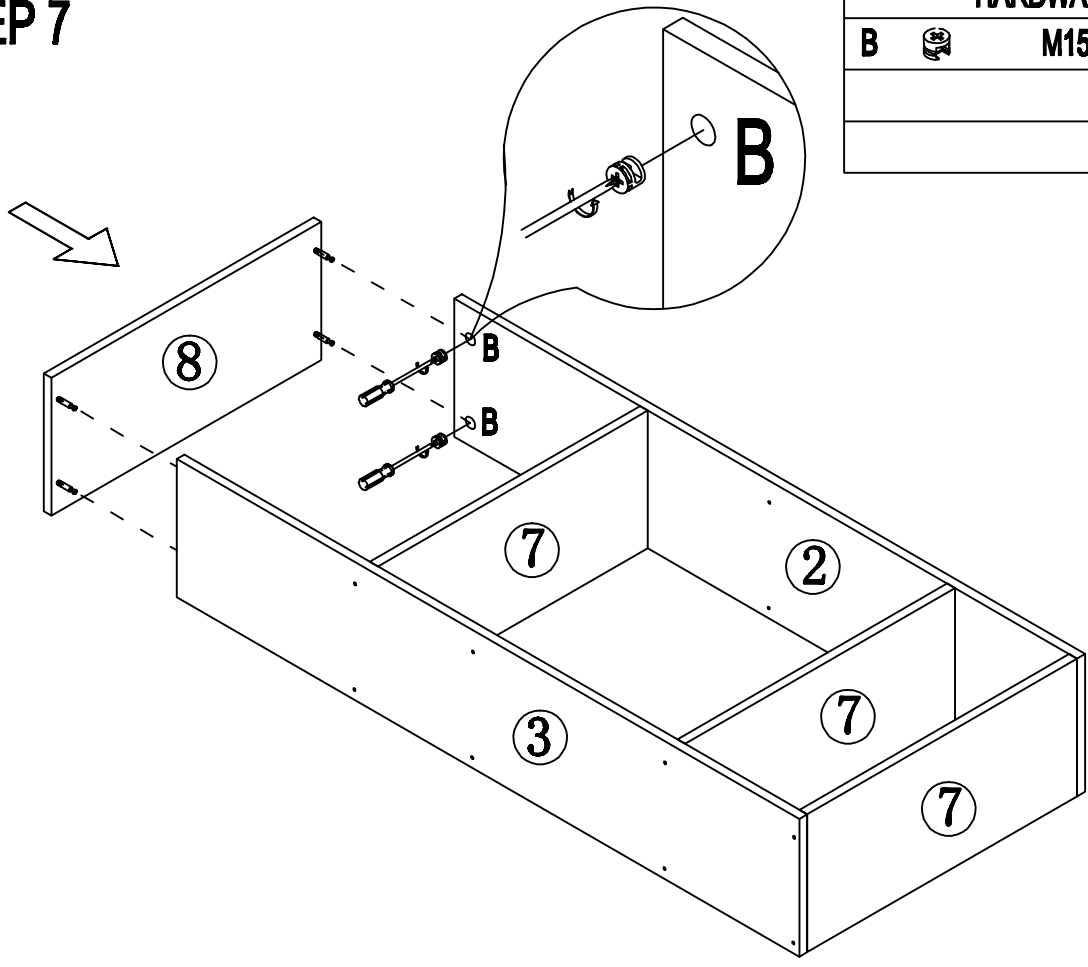


HARDWARE LIST

D  **M4.7 12PCS**

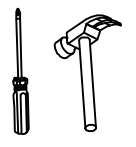


STEP 7

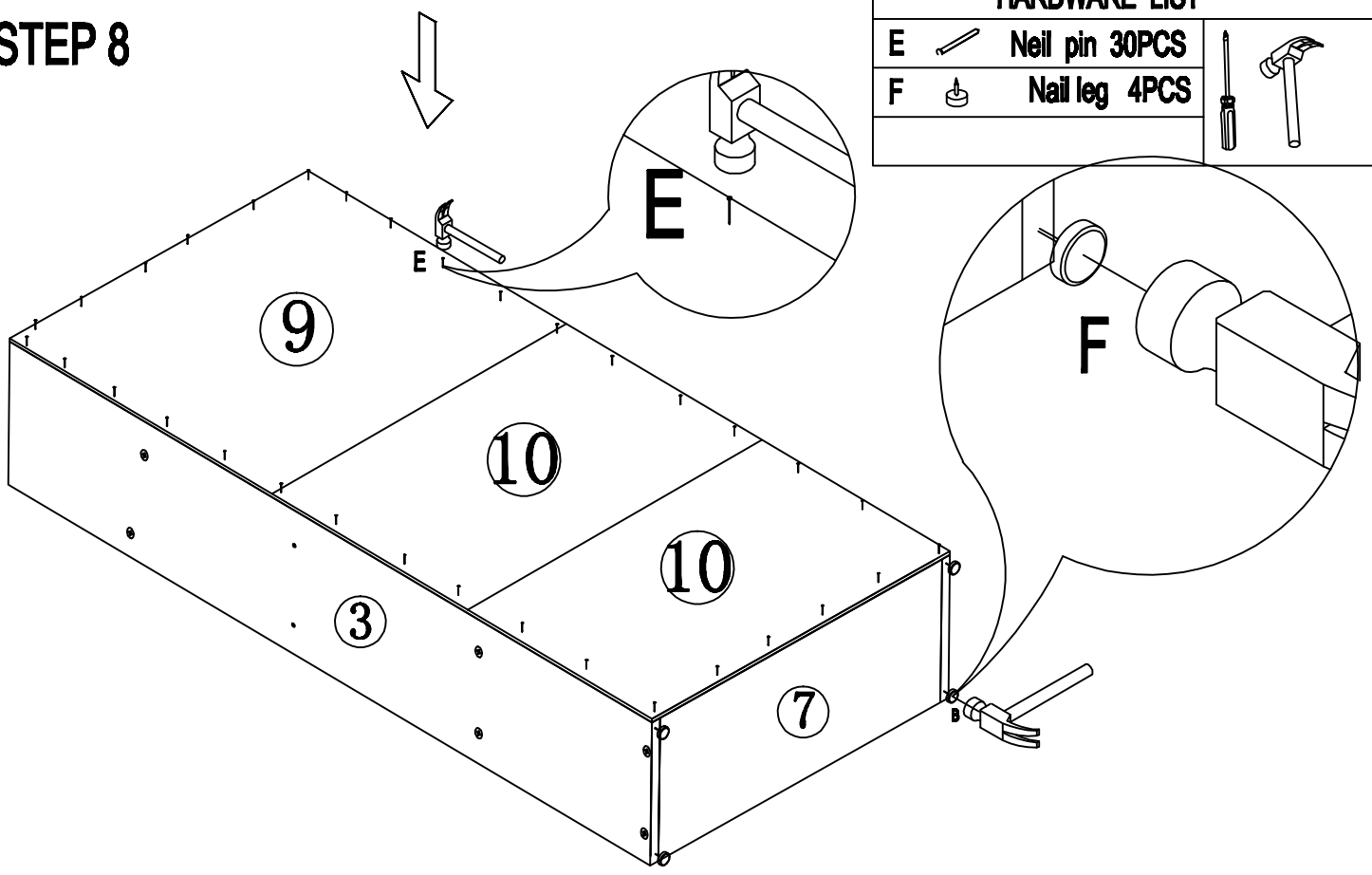


HARDWARE LIST

B  M15 4PCS



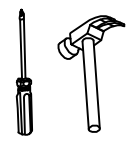
STEP 8



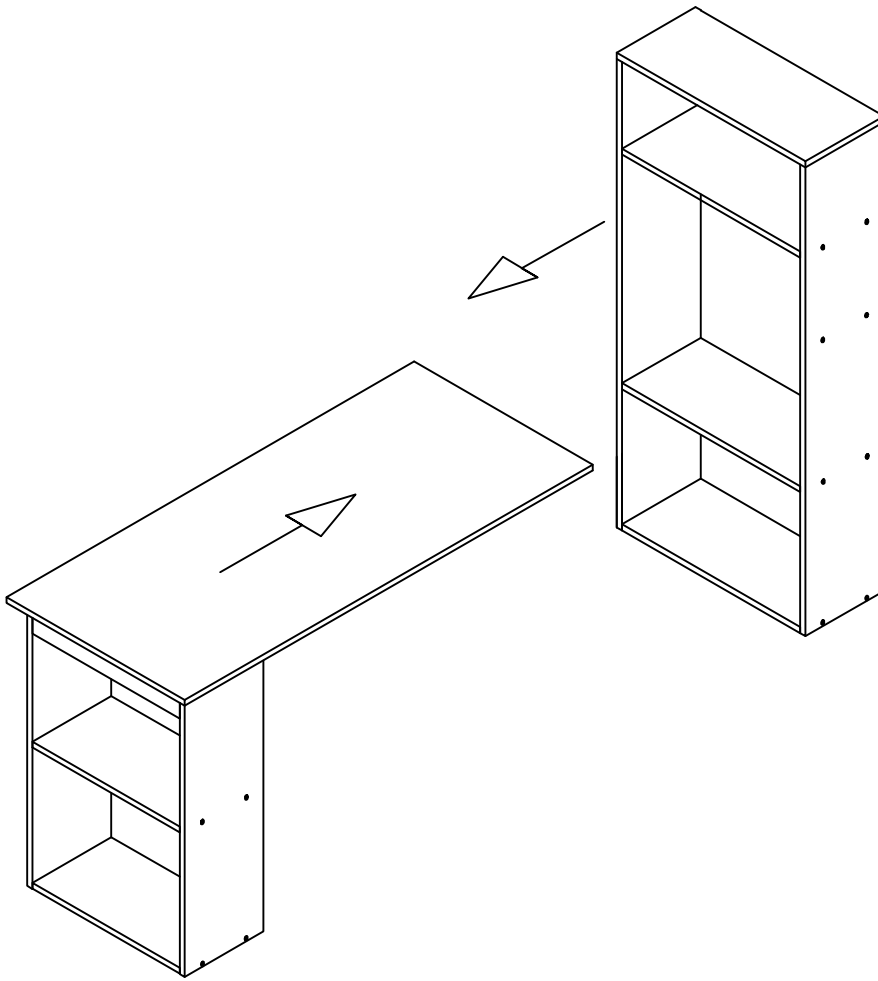
HARDWARE LIST

E  Neil pin 30PCS

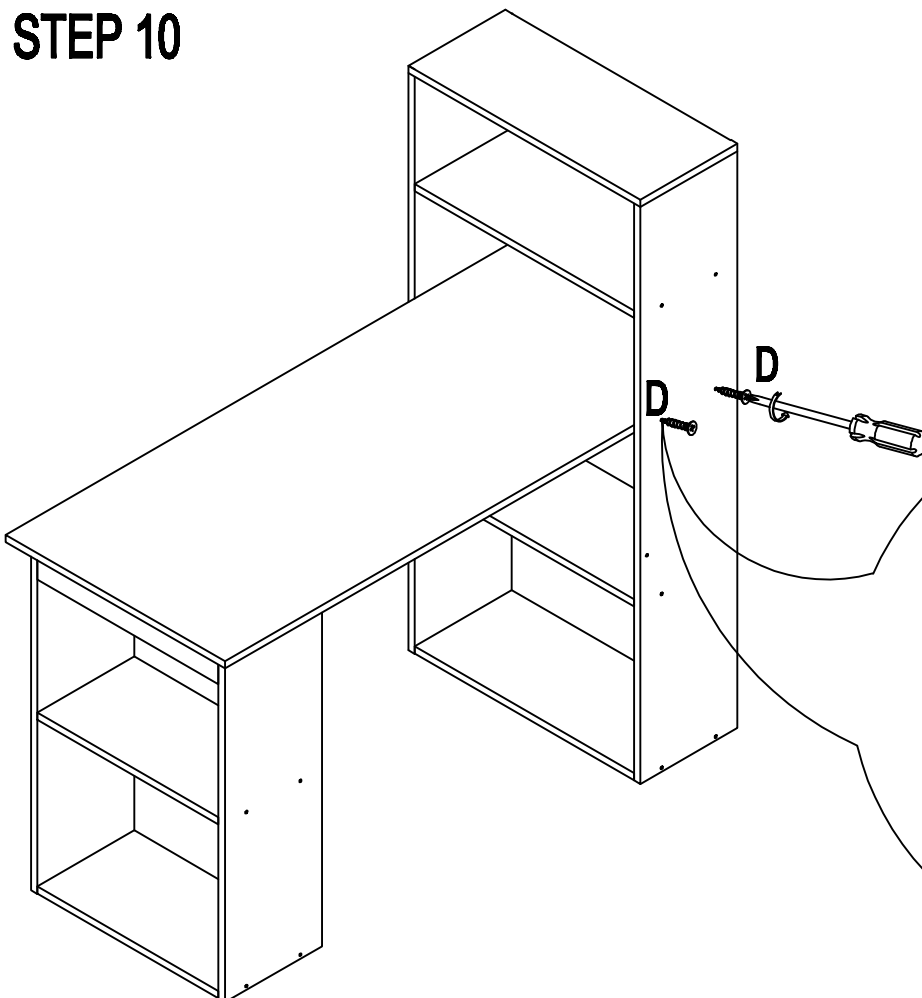
F  Nail leg 4PCS






STEP 9

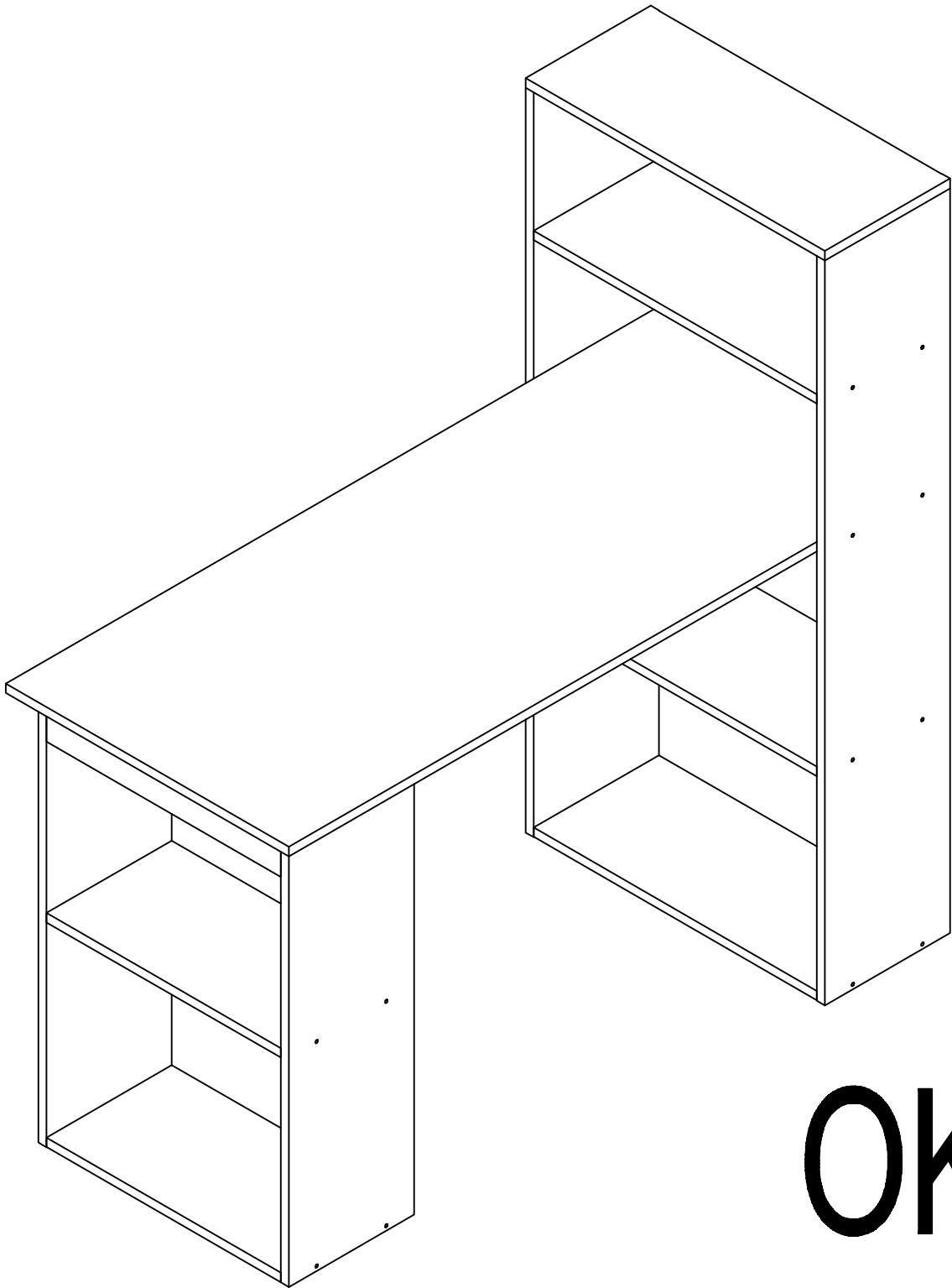


STEP 10



HARDWARE LIST

D		M4.7 4PCS		



OK