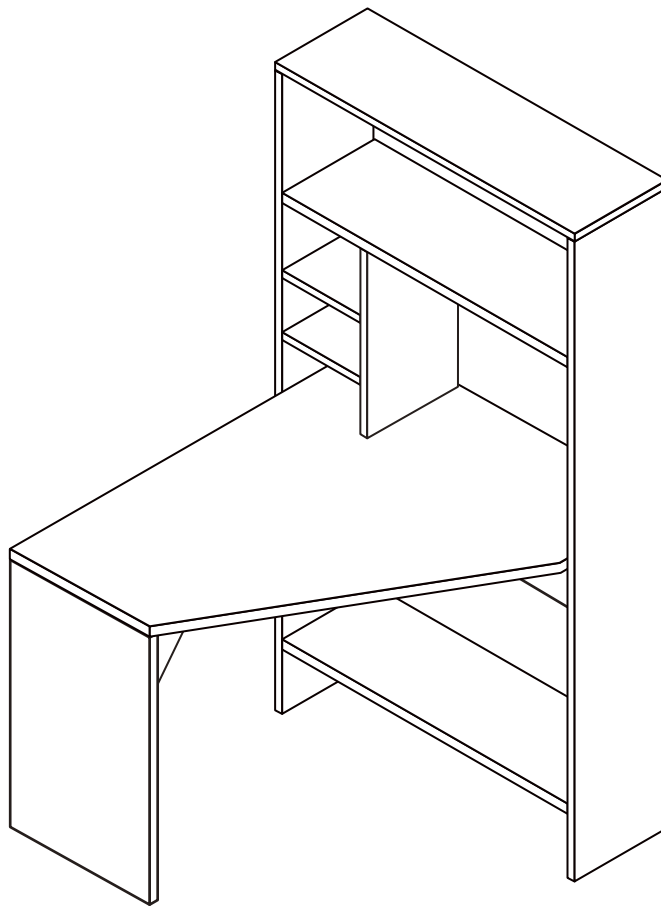


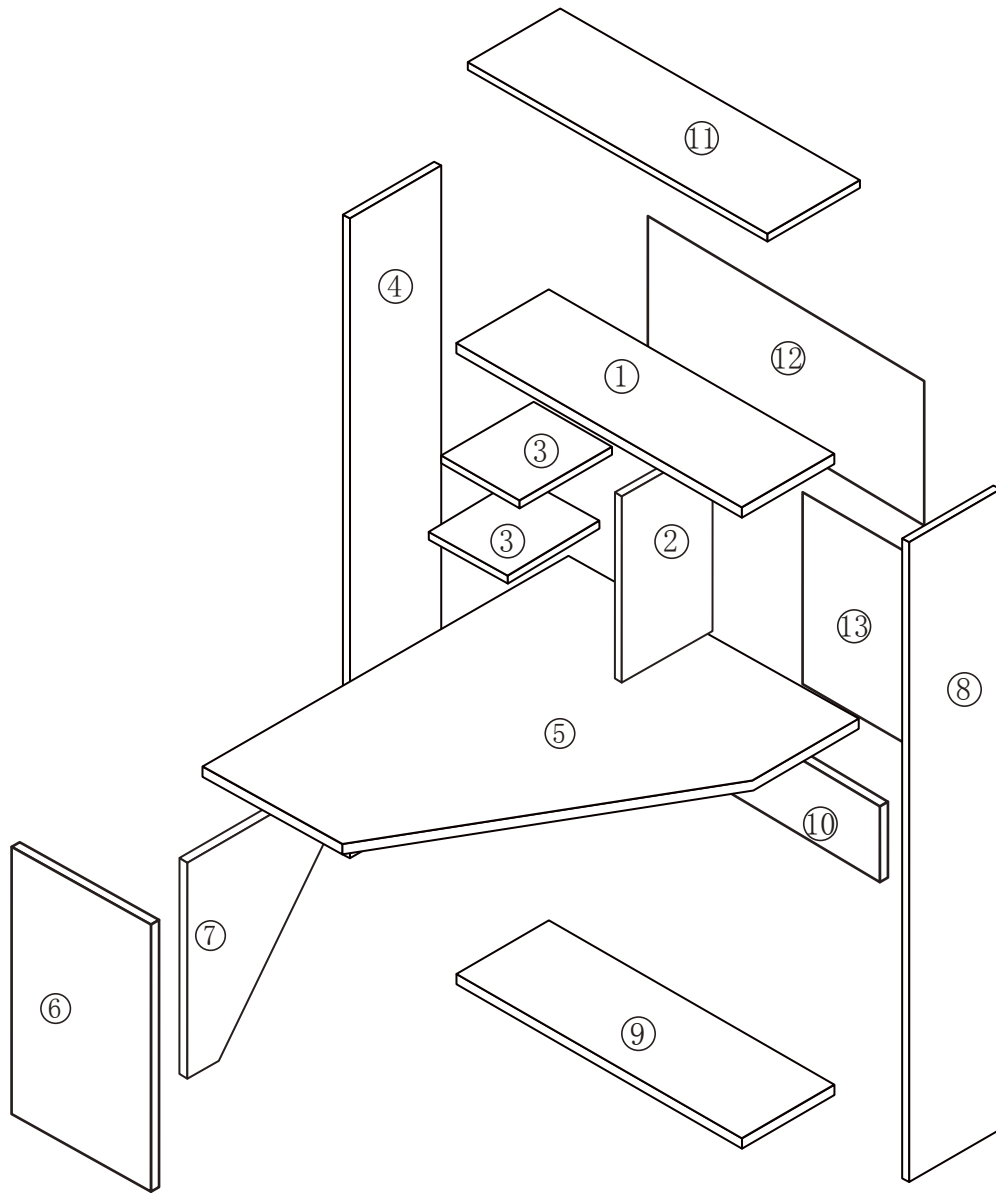
836-168

C000000





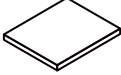

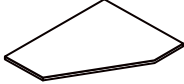



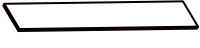
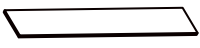



Please read these instructions and warranty information carefully before use and keep them properly for future reference.








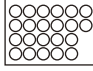
OPERATING INSTRUCTIONS



PACKING DETAILS: TOTAL 1 BOXES

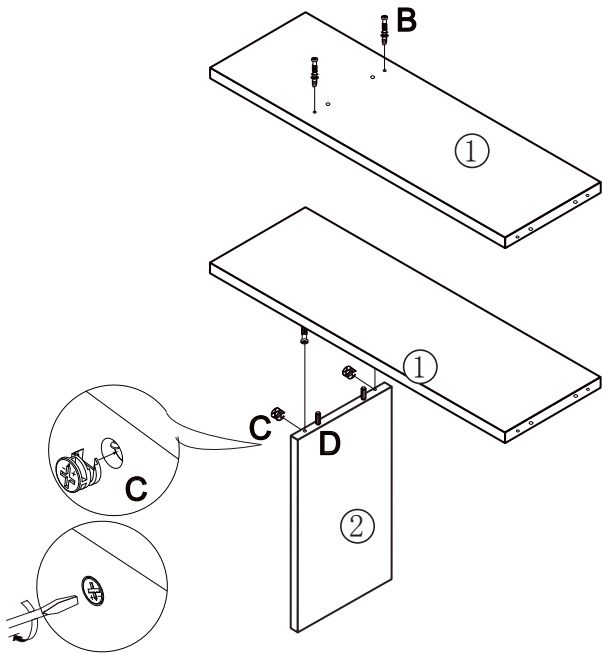
BOX 1/1:

PARTNO.	PARTS	QTY
1		x1
2		x1
3		x2
4		x1
5		x1
6		x1
7		x1
8		x1
9		x1
10		x1
11		x1
12		x1
13		x1

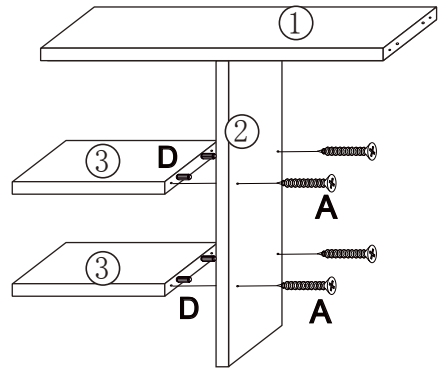
PART NO.	PARTS	QTY
A	 5X40mm	x28
B		x10
C		x10
D		x36
E		x6
F	 3X16mm	x20
G		x2
H		x1

Assembly Instructions

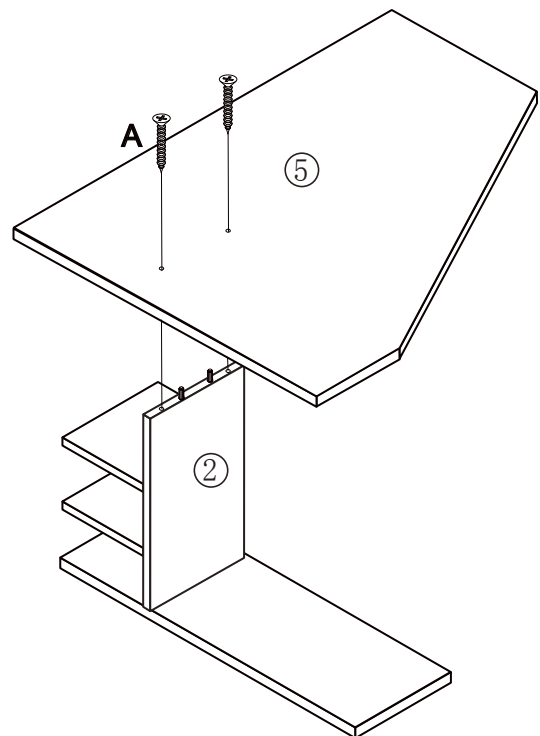
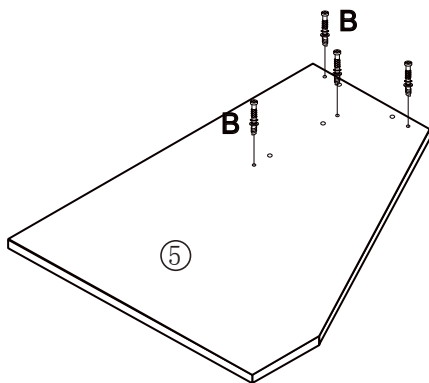
1



2

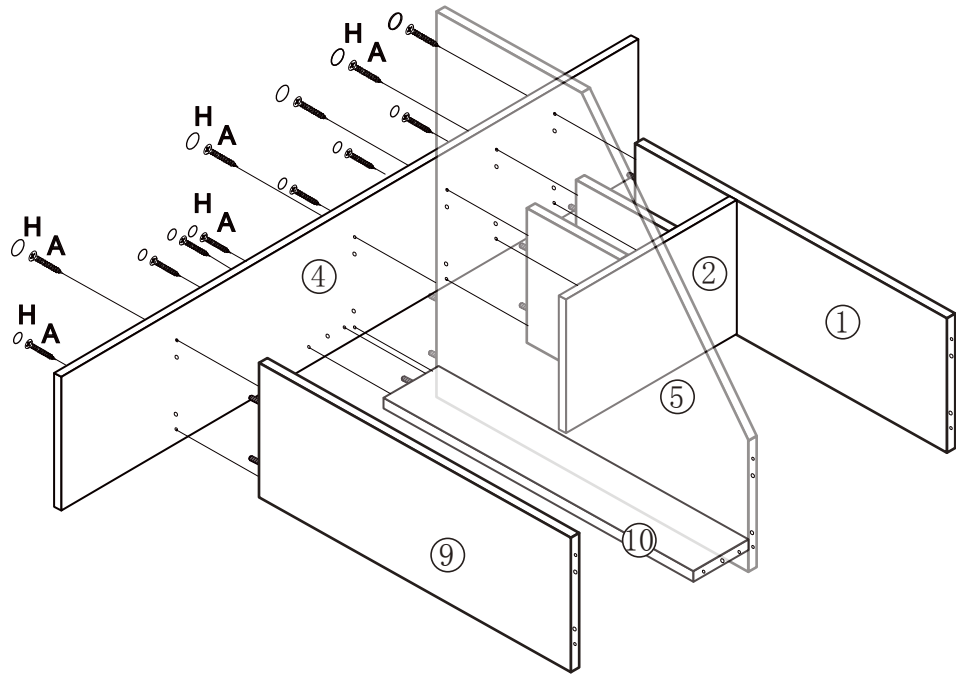


3

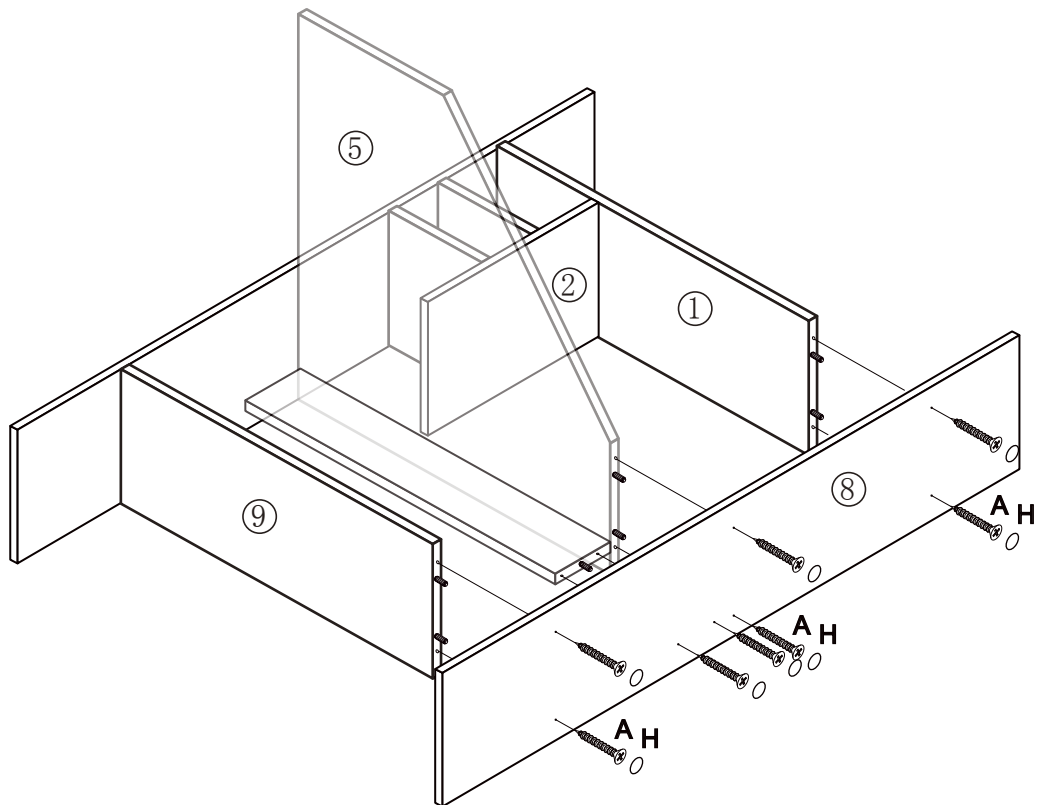


Assembly Instructions

4

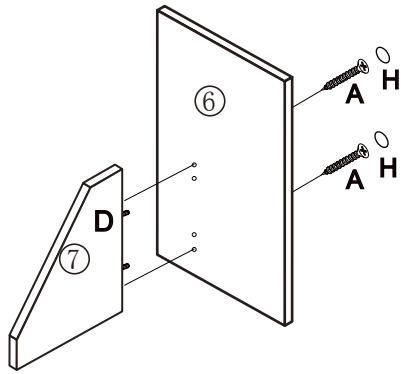


5

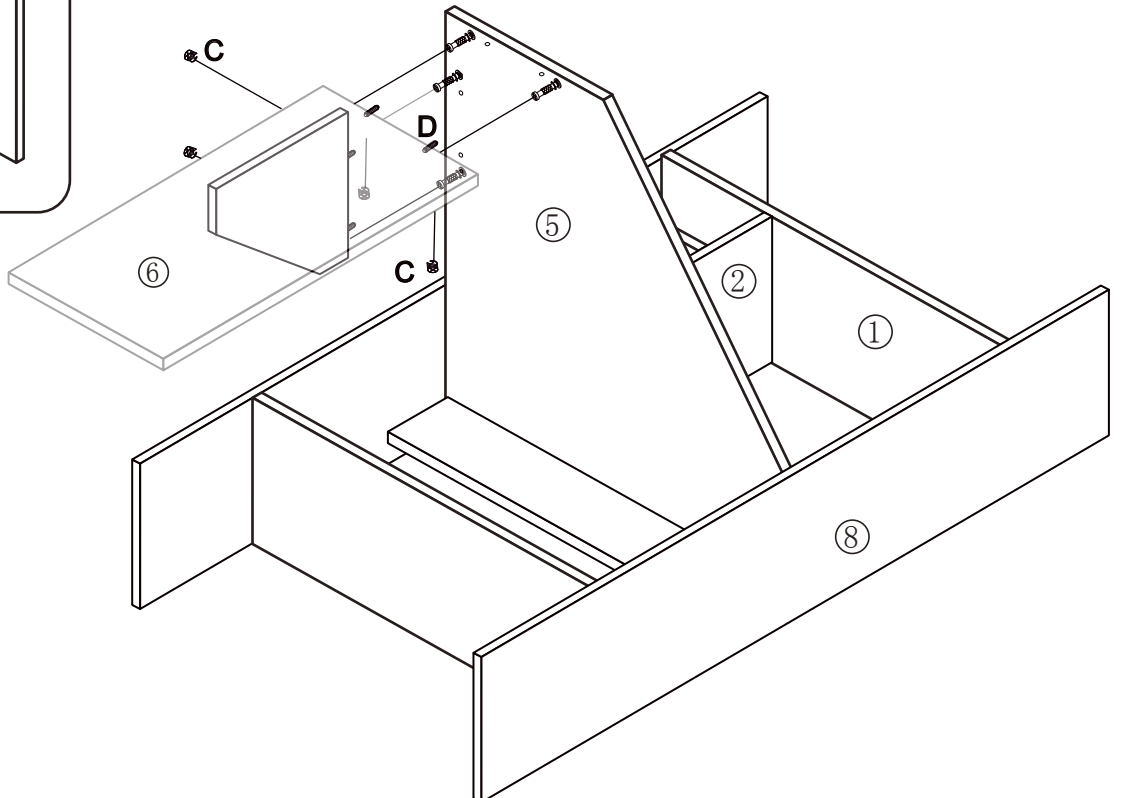
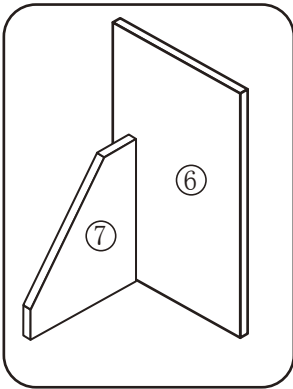


Assembly Instructions

6

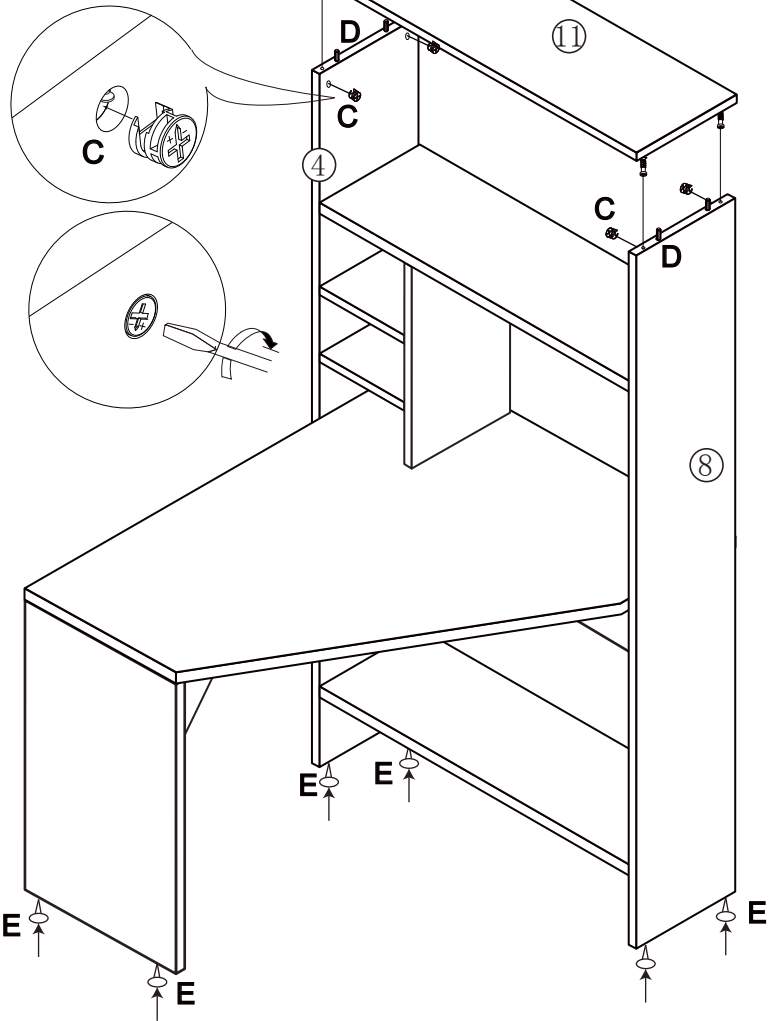
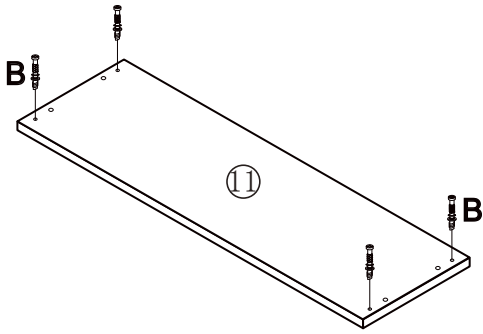


7

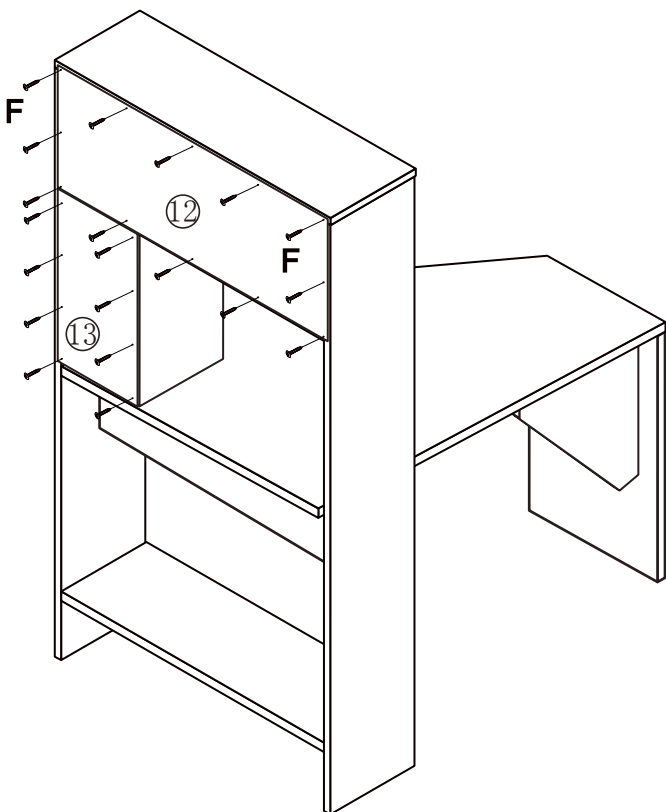


Assembly Instructions

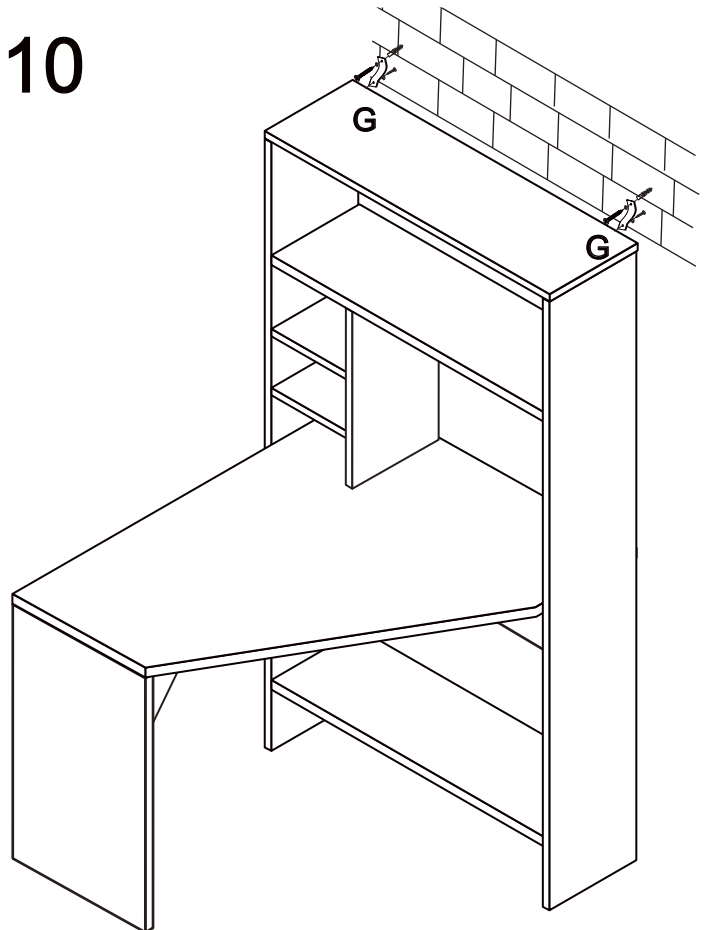
8



9



10



US



001-877-644-9366
customerservice@aosom.com

CA



001-855-537-6088
customerservice@aosom.ca

UK



0044-800-240-4004
enquiries@mhstar.co.uk

DE



0049-(0)40-88307530
service@aosom.de

FR



0033-1-84166106
contact@aosom.fr

ES



0034-931294512
atencioncliente@aosom.es

IT



0039-0249471447
clienti@aosom.it