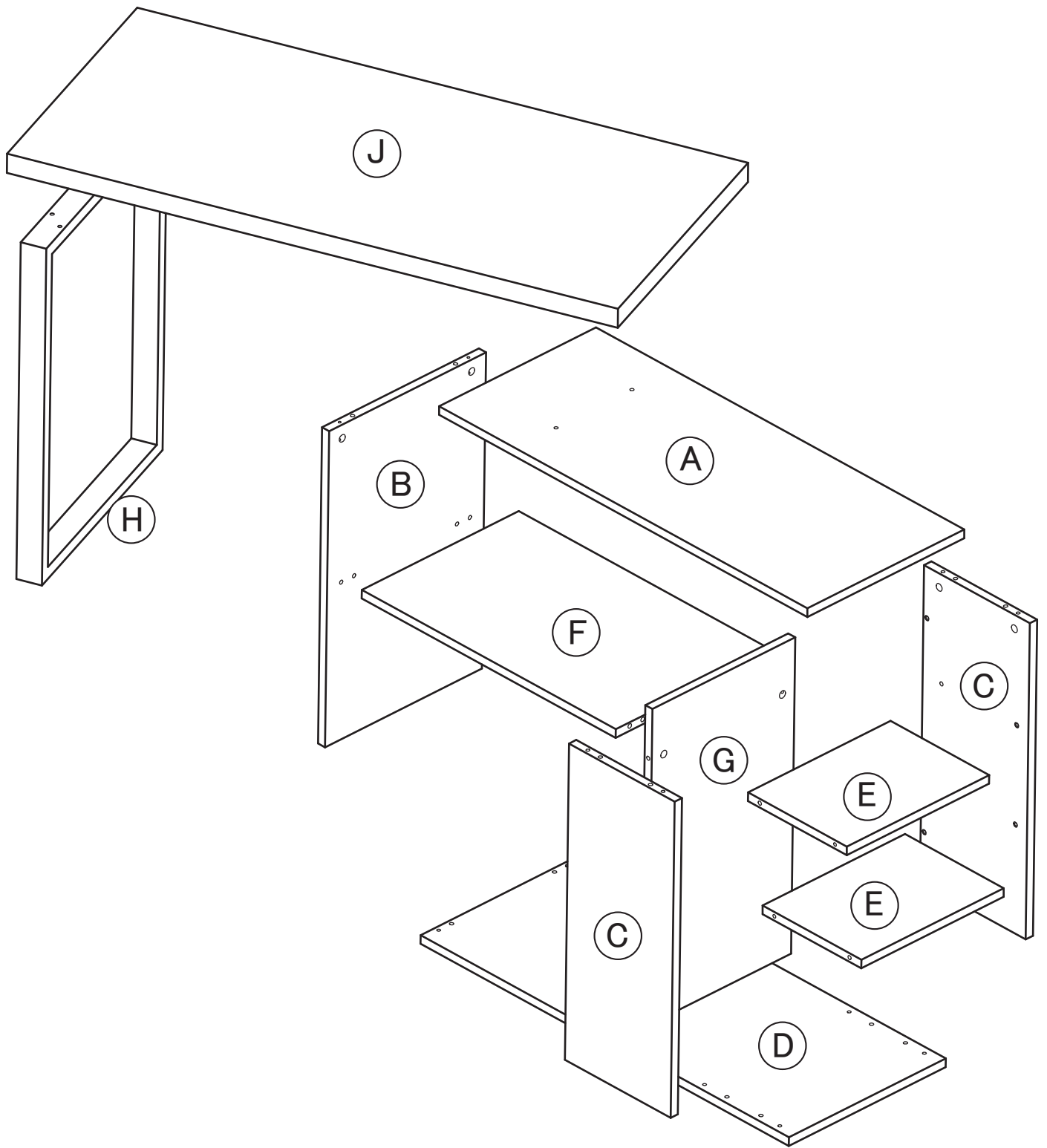
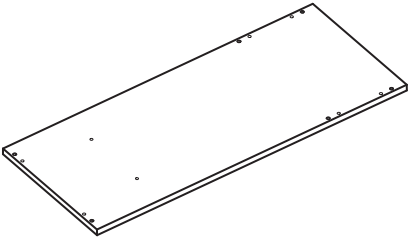
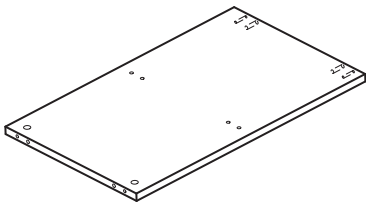
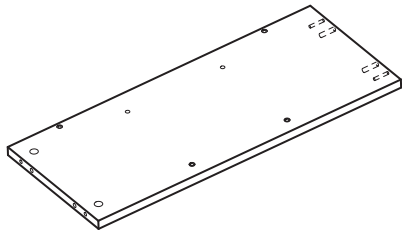
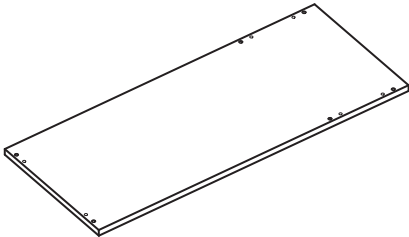
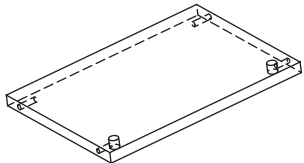
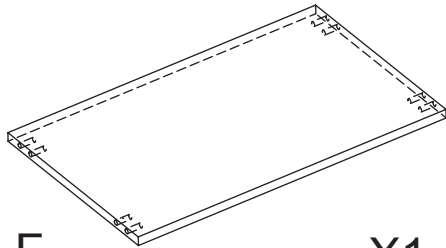
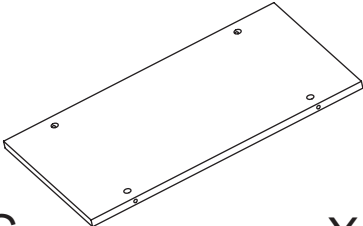
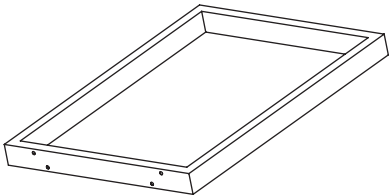
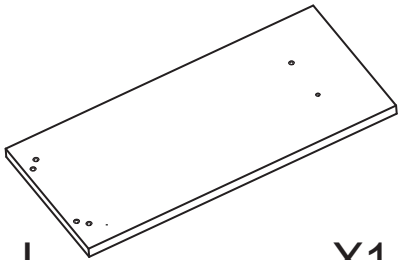
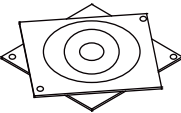
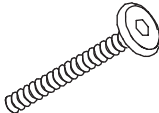
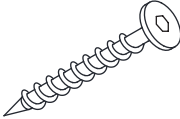
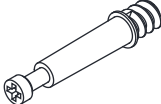

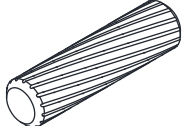


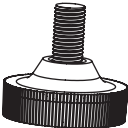

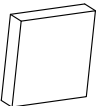
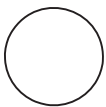


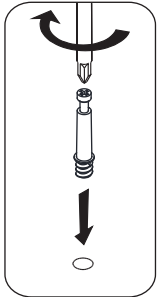
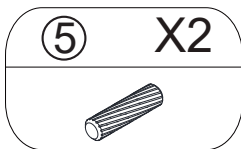
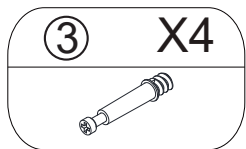
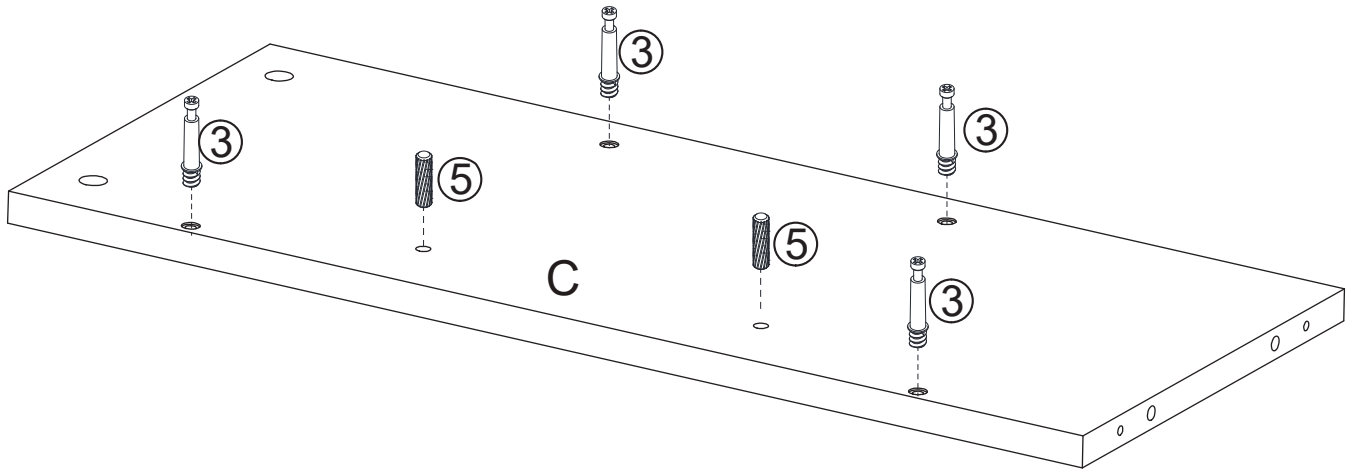
Please read these instructions and warranty information carefully before use and keep them properly for future reference.



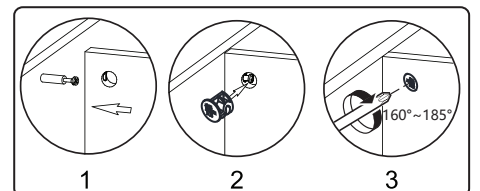
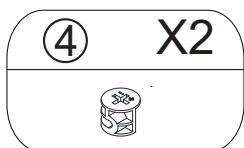
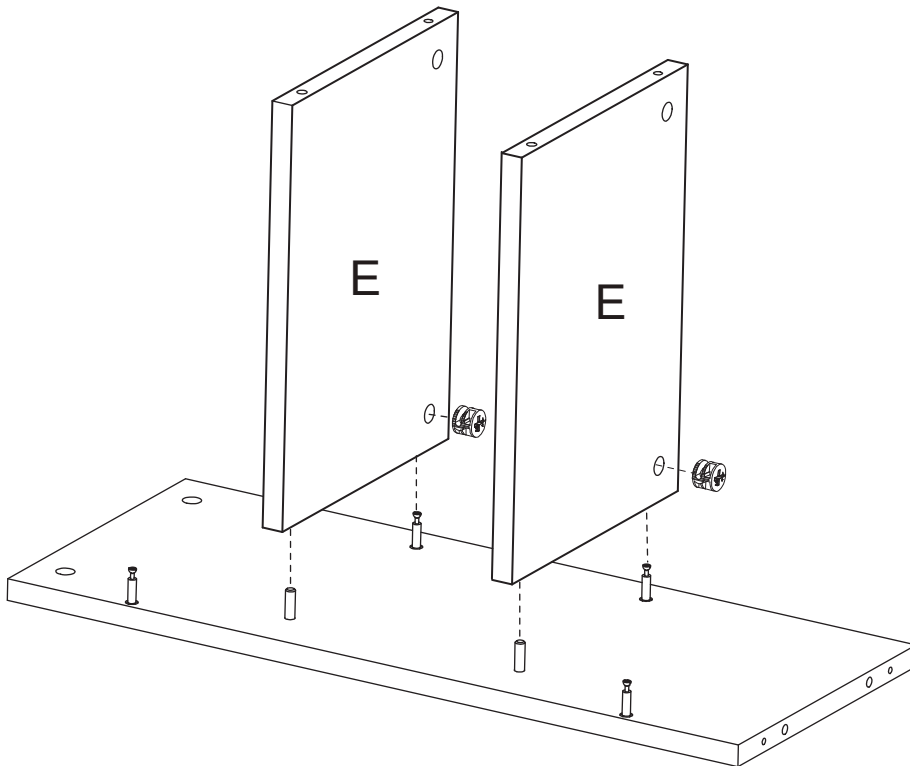
 <p><b>A</b> X1</p>	 <p><b>B</b> X1</p>	 <p><b>C</b> X2</p>	
 <p><b>D</b> X1</p>	 <p><b>E</b> X2</p>	 <p><b>F</b> X1</p>	
 <p><b>G</b> X1</p>	 <p><b>H</b> X1</p>	 <p><b>J</b> X1</p>	
 <p><b>K</b> X1</p>	<p>M6*40</p>  <p>① X6</p>	<p>ST6.3*40</p>  <p>② X6</p>	 <p>③ X14</p>
 <p>④ X14</p>	 <p>⑤ X24</p>	 <p>⑥ X2</p>	<p>M6*20</p>  <p>⑦ X2</p>
 <p>⑧ X2</p>	 <p>X1</p>	 <p>X6</p>	 <p>X14</p>

# Assembly Instructions

1

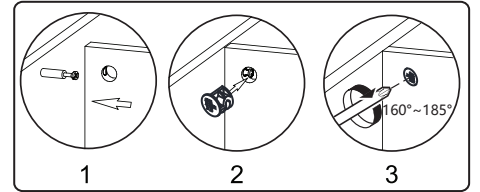
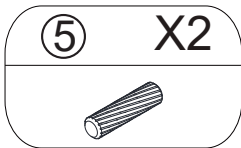
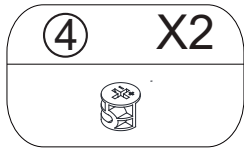
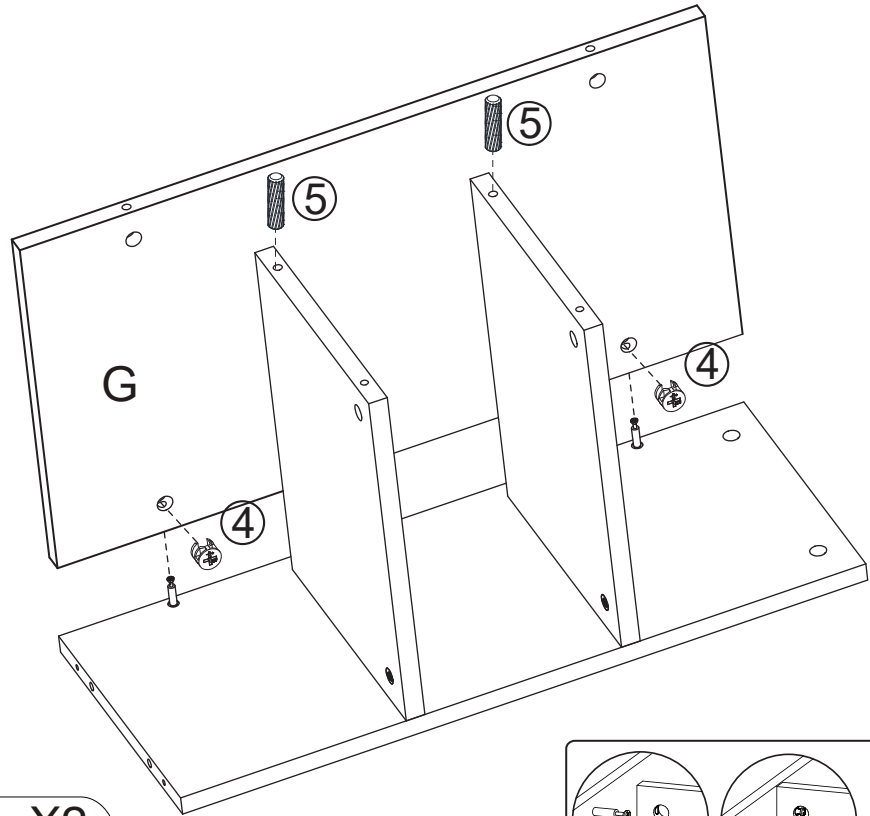


2

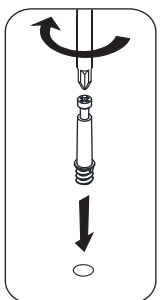
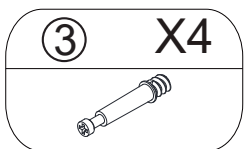
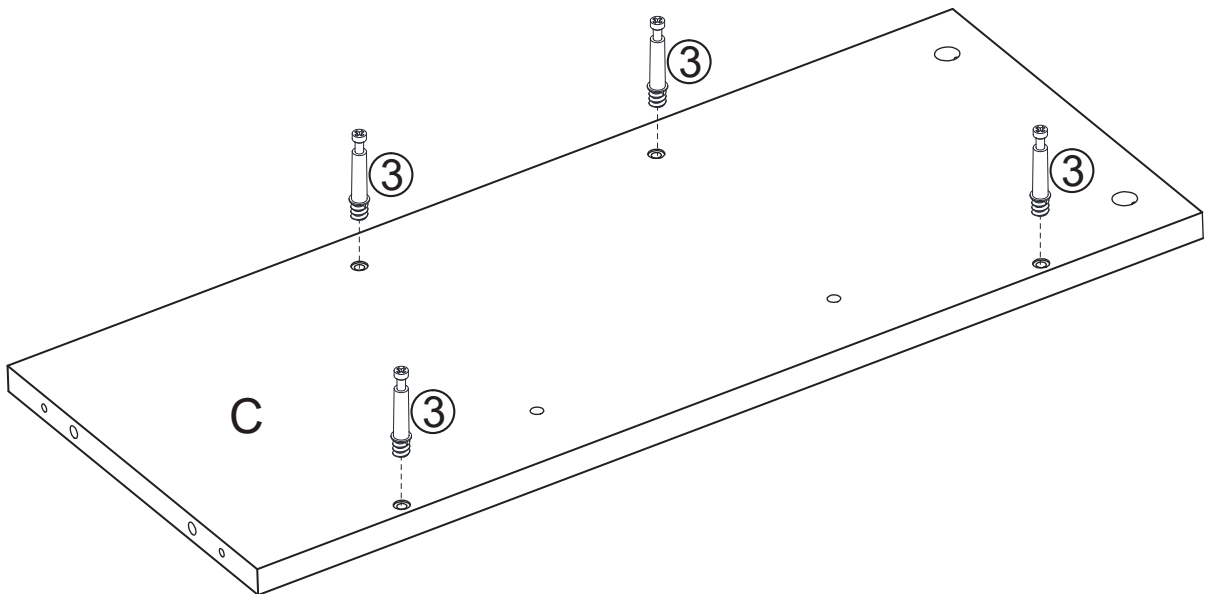


# Assembly Instructions

## 3

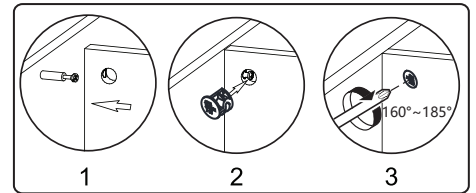
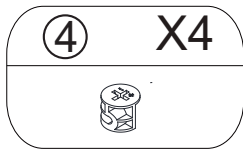
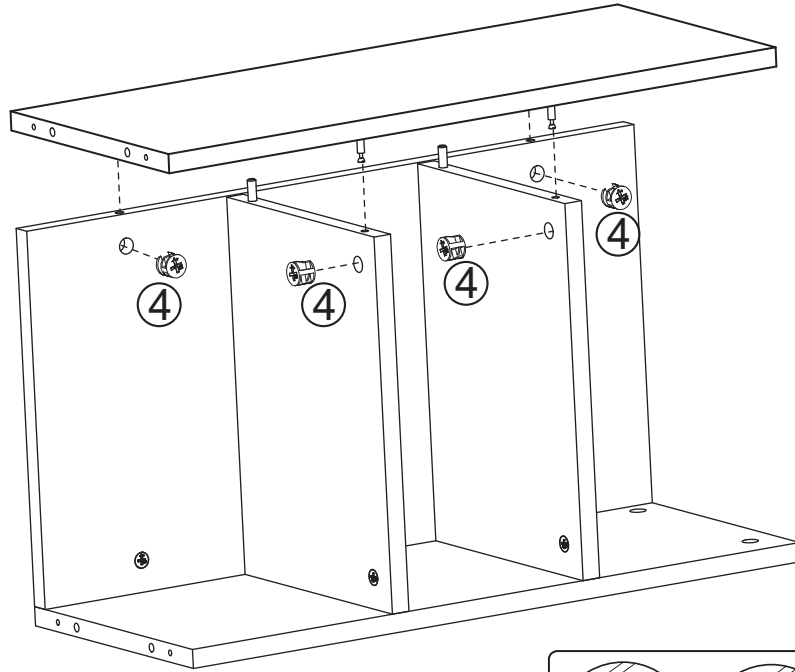


## 4

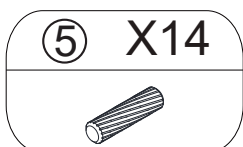
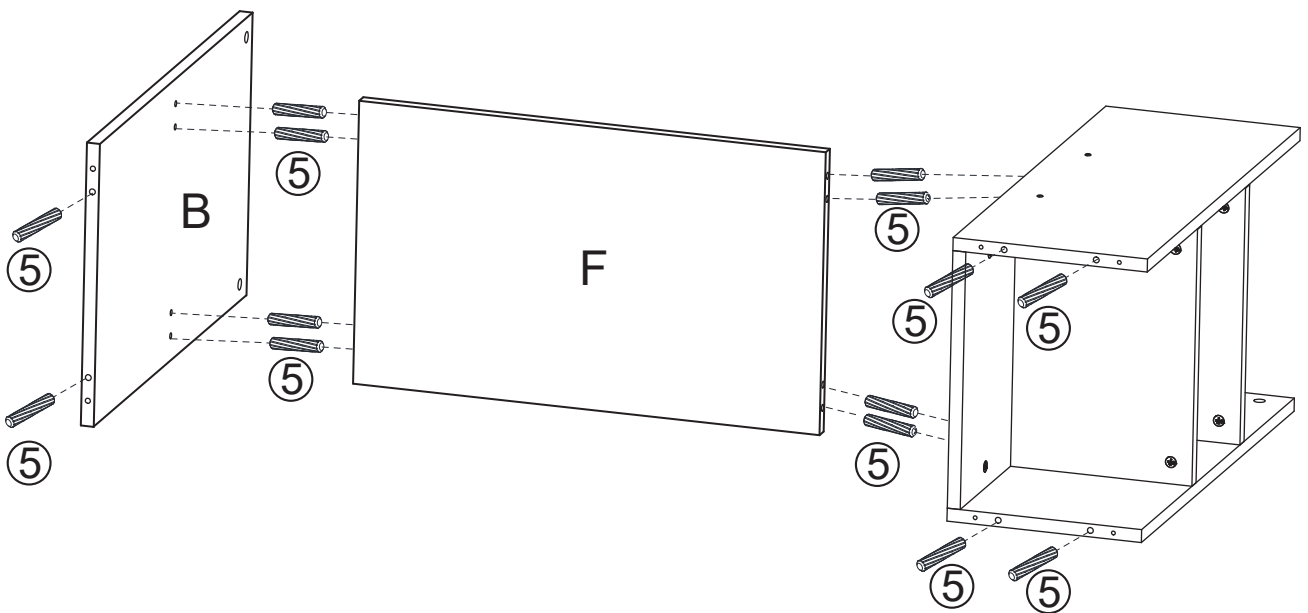


# Assembly Instructions

## 5

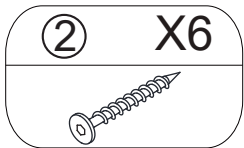
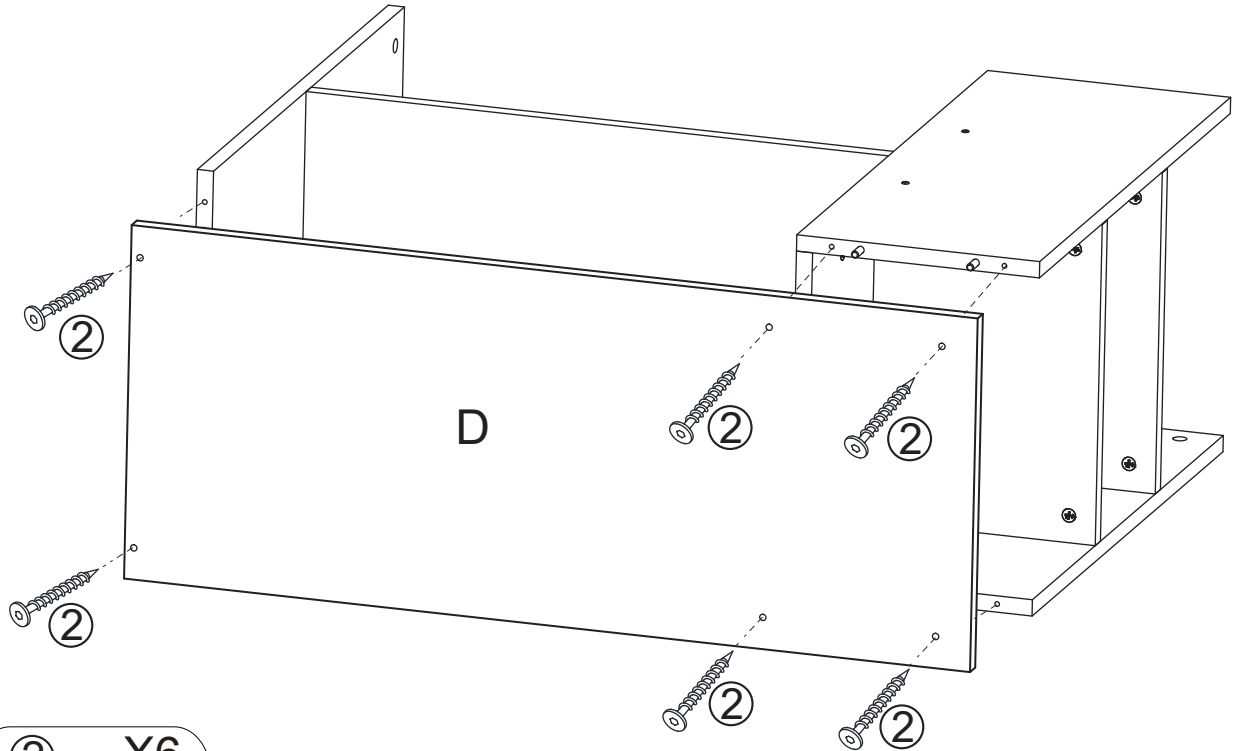


## 6

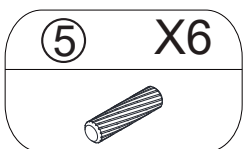
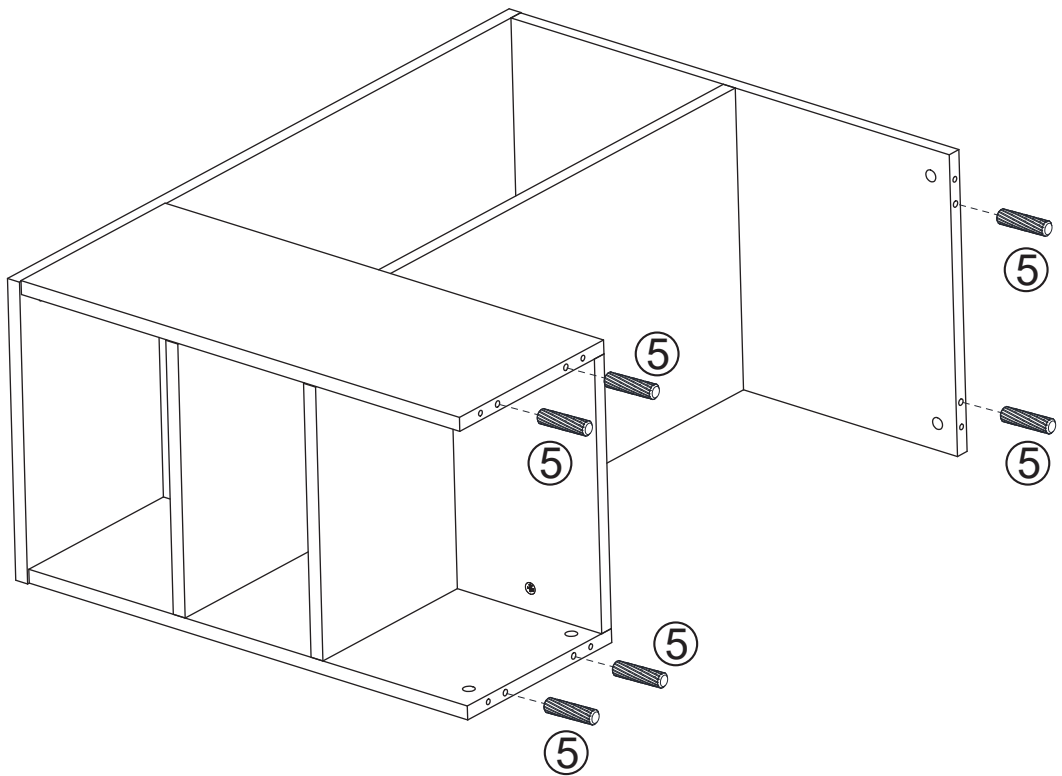


# Assembly Instructions

7

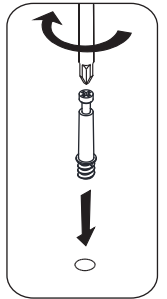
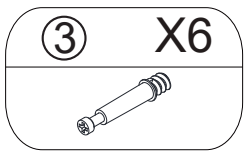
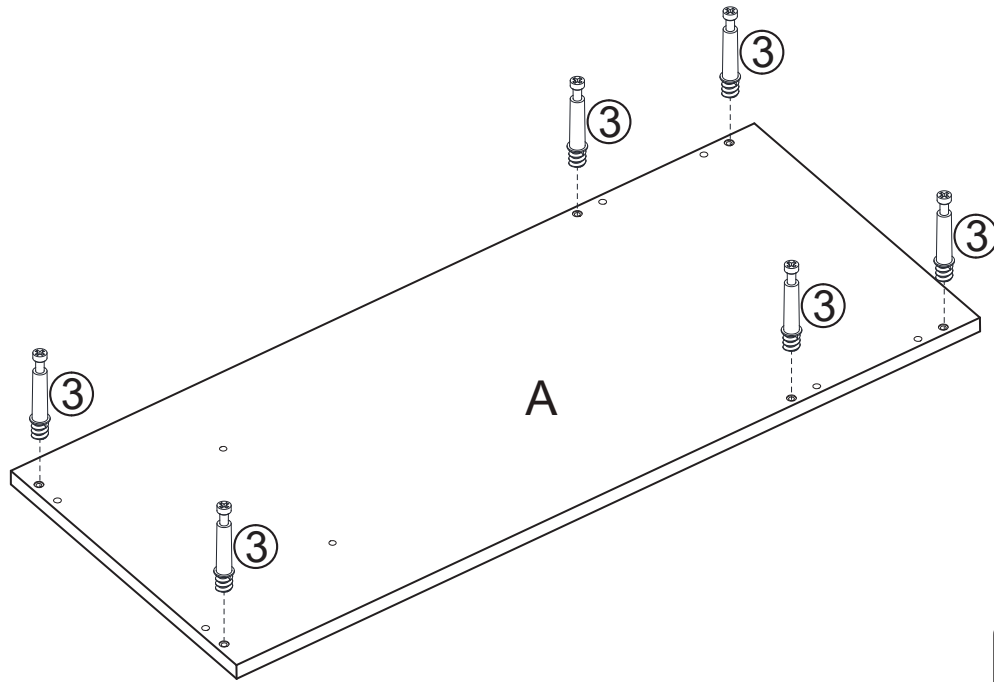


8

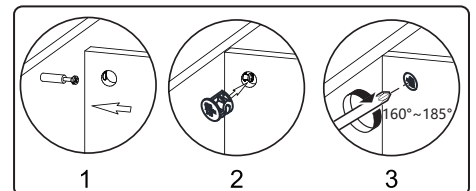
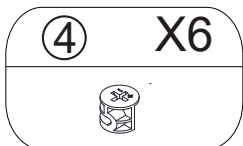
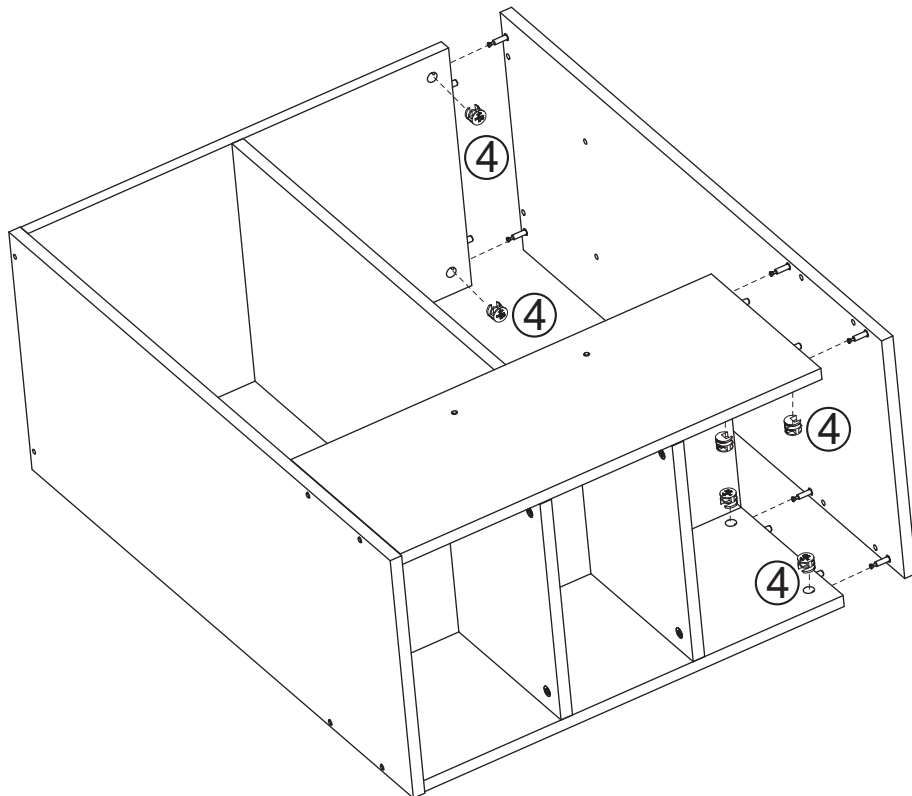


# Assembly Instructions

9



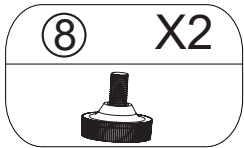
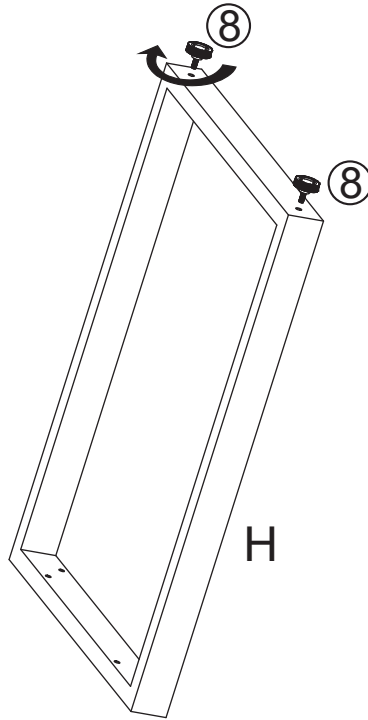
10



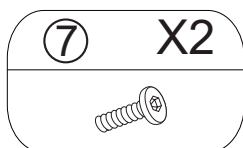
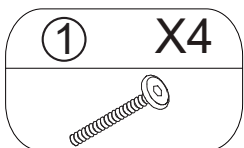
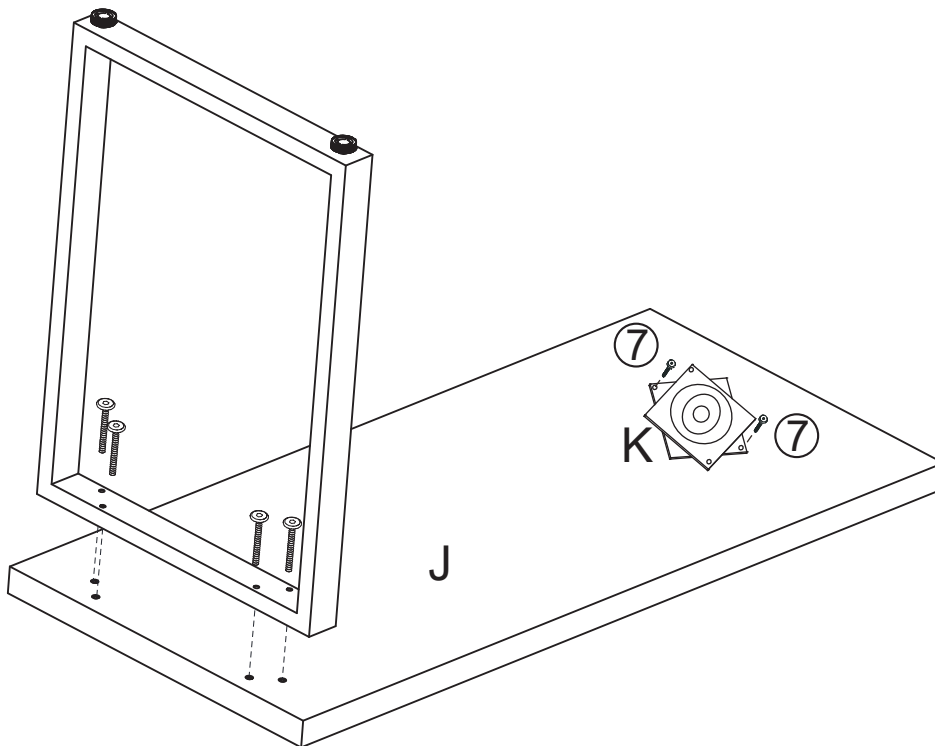


# Assembly Instructions

11



12



## 13

