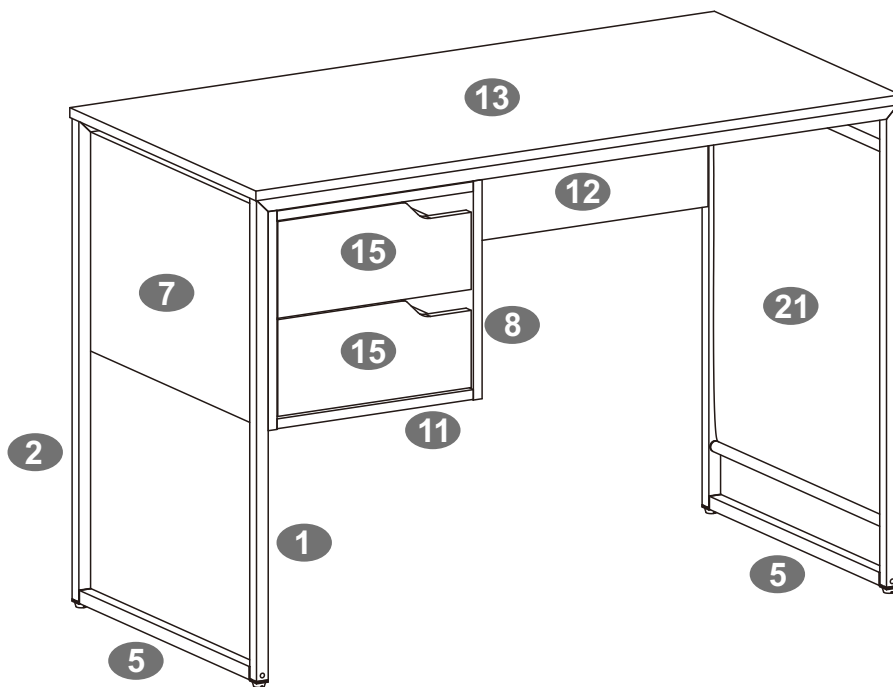
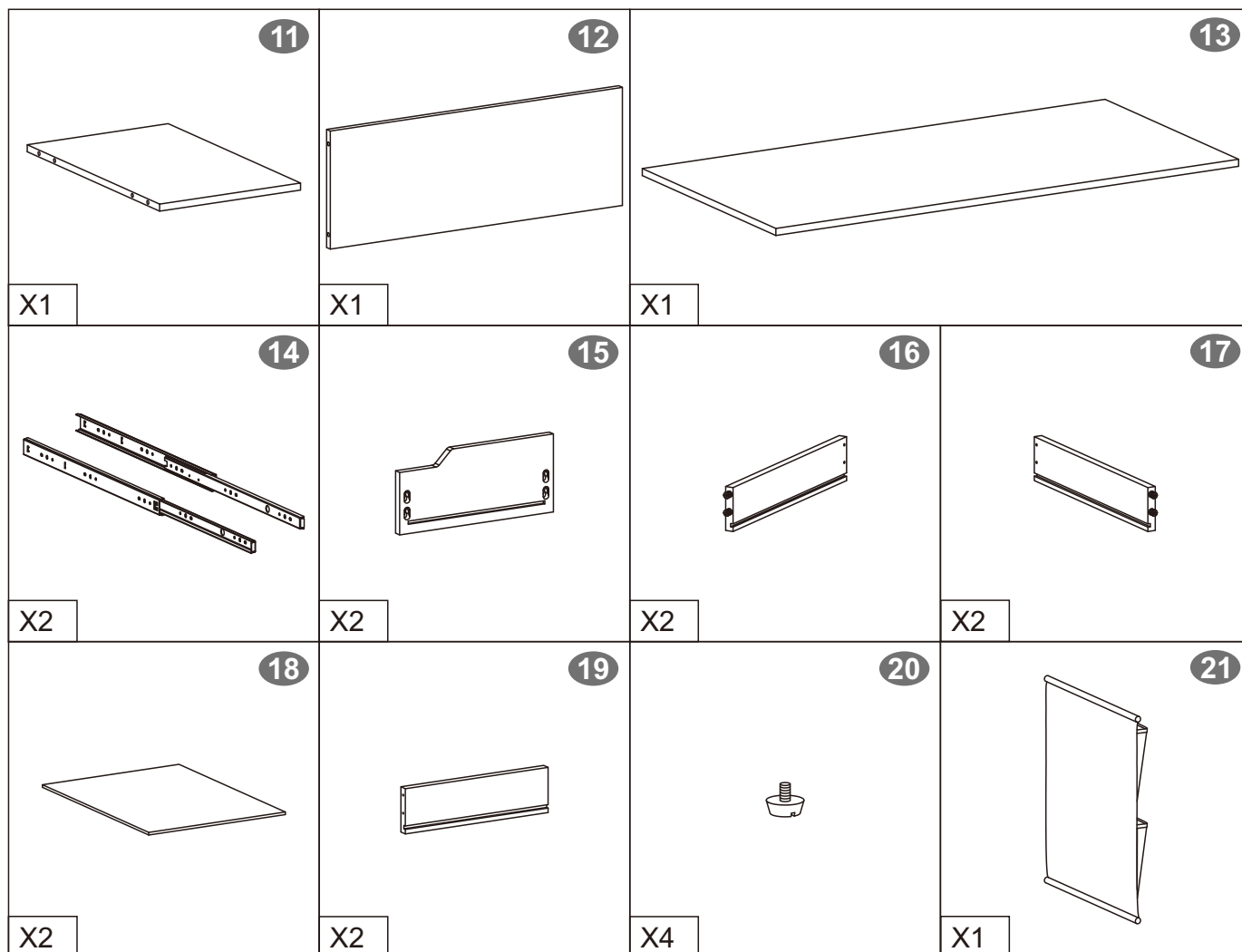


READ AND SAVE THIS INSTRUCTION FOR FUTURE USE

# ASSEMBLY INSTRUCTION

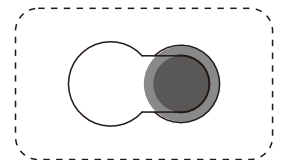
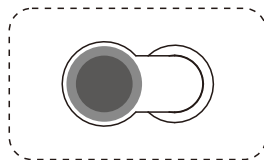
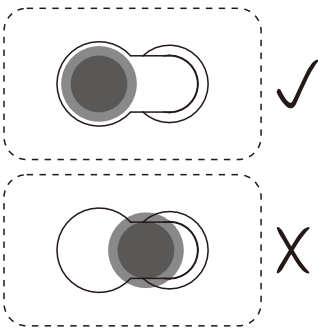
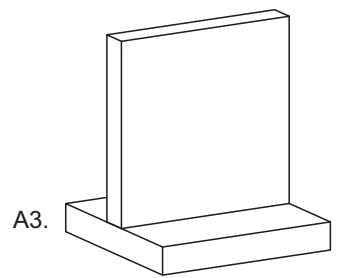
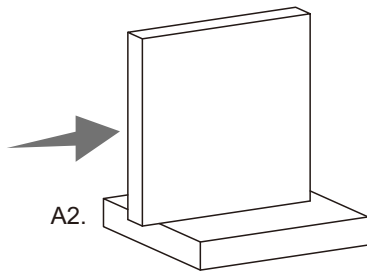
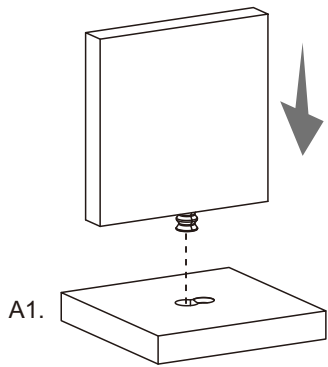
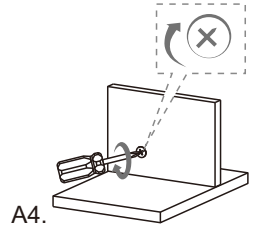
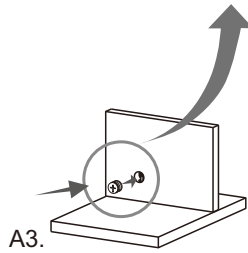
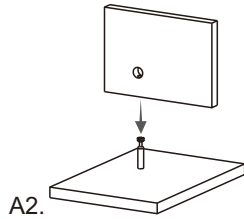
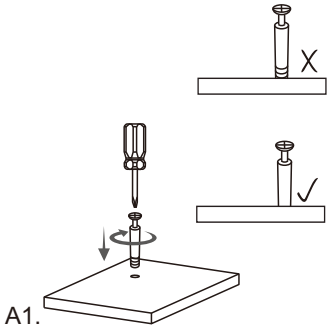
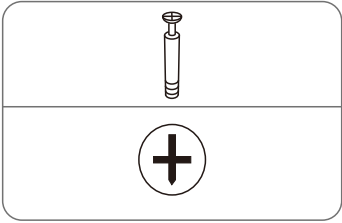


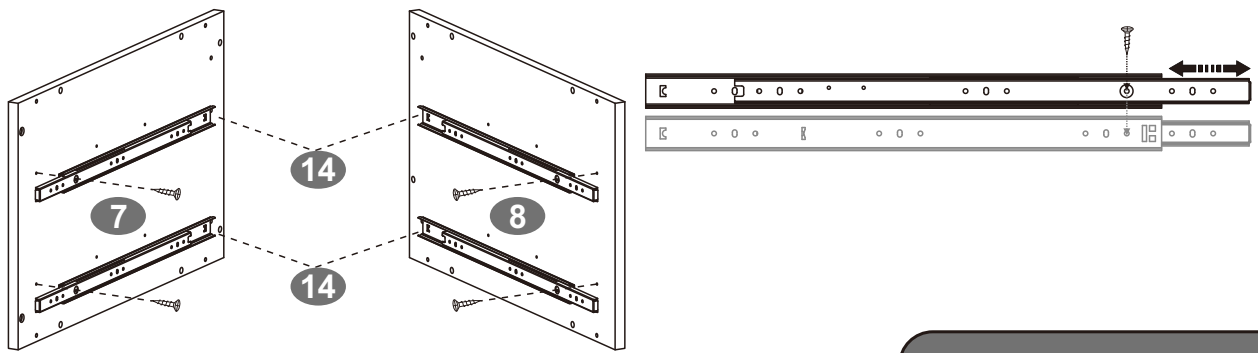
 X1	 X1		
 X1	 X1	 X2	 X2
 X1	 X1	 X1	 X1





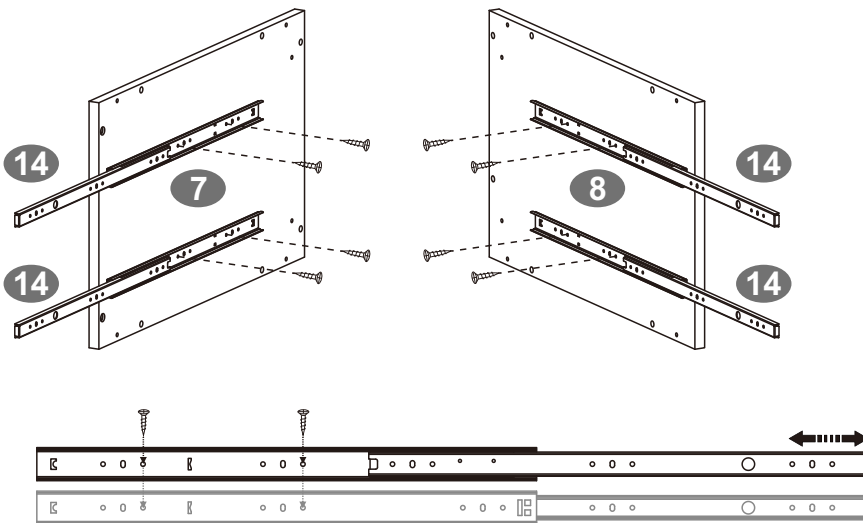
PART	QTY.	ITEM	
<b>A</b>	12	6X40 MM	
<b>B</b>	8	6X15 MM	
<b>C</b>	6	6X25 MM	
<b>D</b>	10	6X30 MM	
<b>E</b>	2	6X50 MM	
<b>F</b>	2	6X55 MM	
<b>G</b>	2	6X30 MM	

PART	QTY.	ITEM	
<b>H</b>	20	3X15 MM	
<b>I</b>	8	4X35 MM	
<b>J</b>	2	6X45 MM	
<b>K</b>	12	Φ 15 MM	
<b>L</b>	8	8X30 MM	
<b>M</b>	4	Φ 10 MM	
	1		



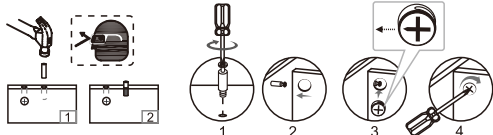
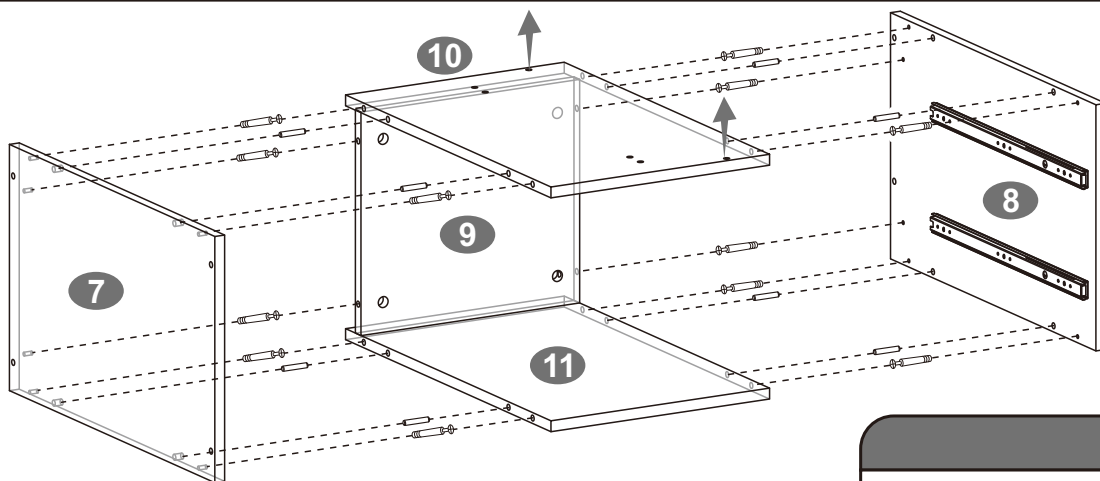




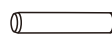
**H** 3X15 MM  
 x4

**H** 3X15 MM  
 x8









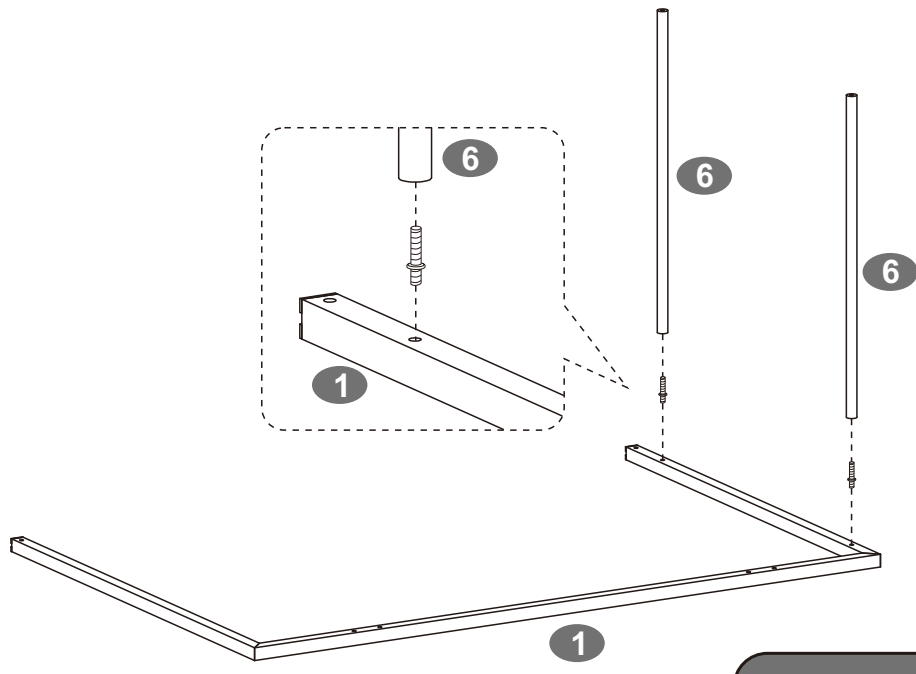
**L** 8X30 MM  
 x8



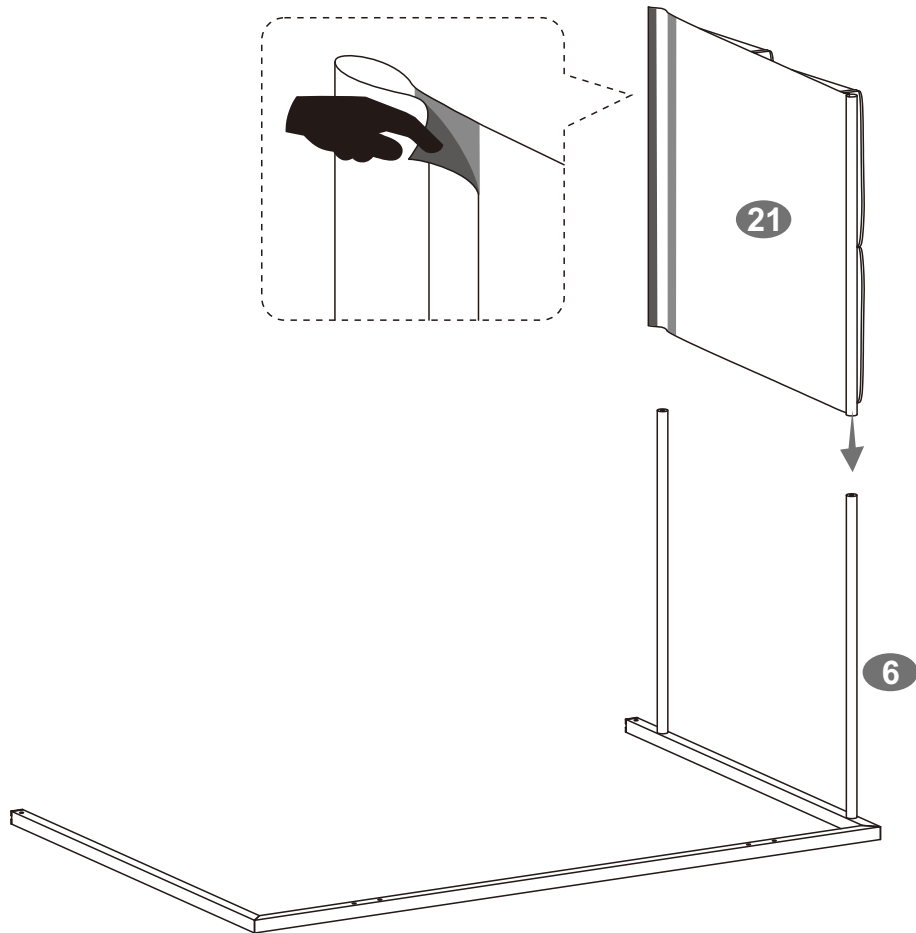
**A** 6X40 MM  
 x12

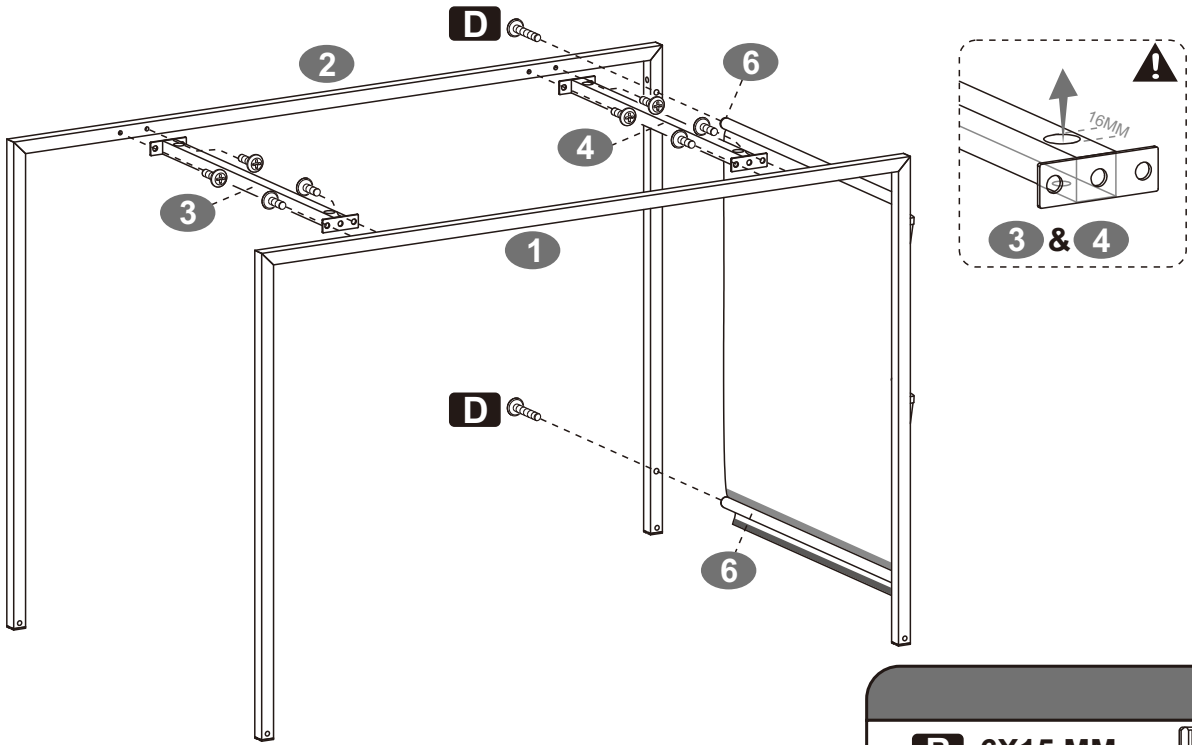
**K**  $\Phi$  15 MM  
 x12










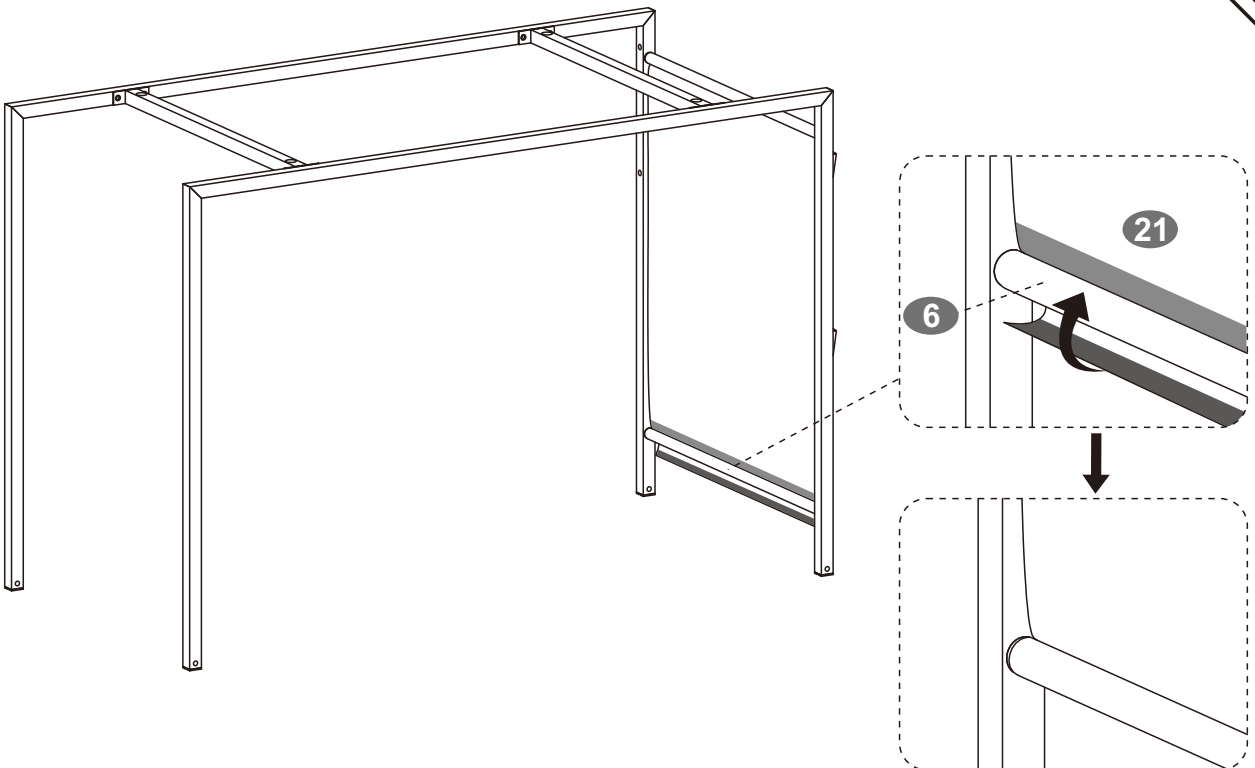


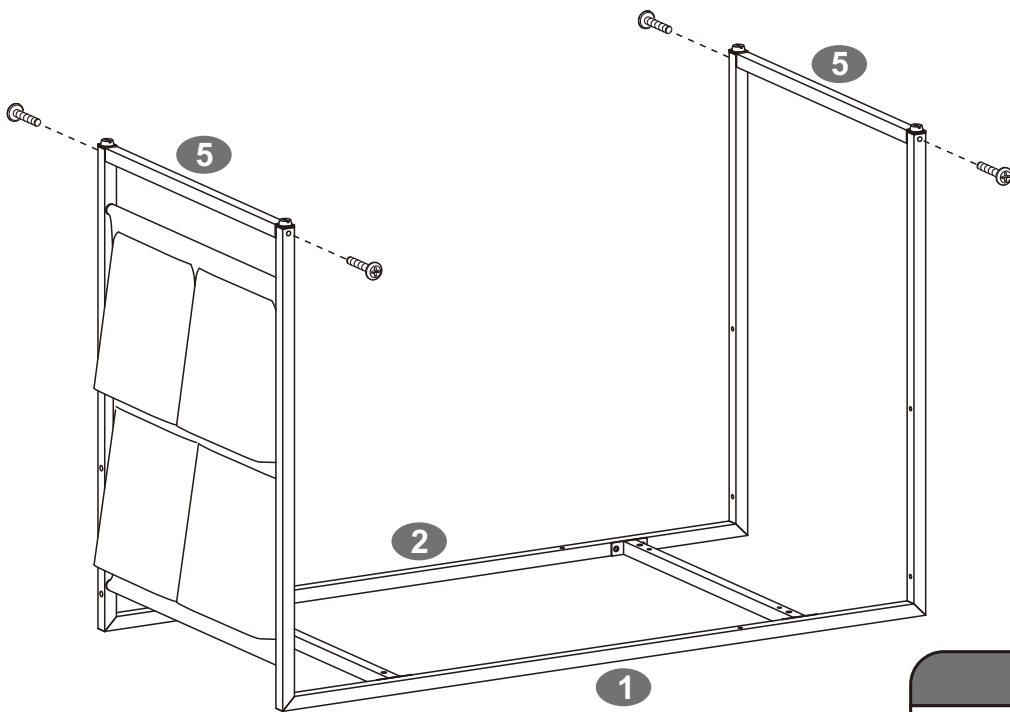
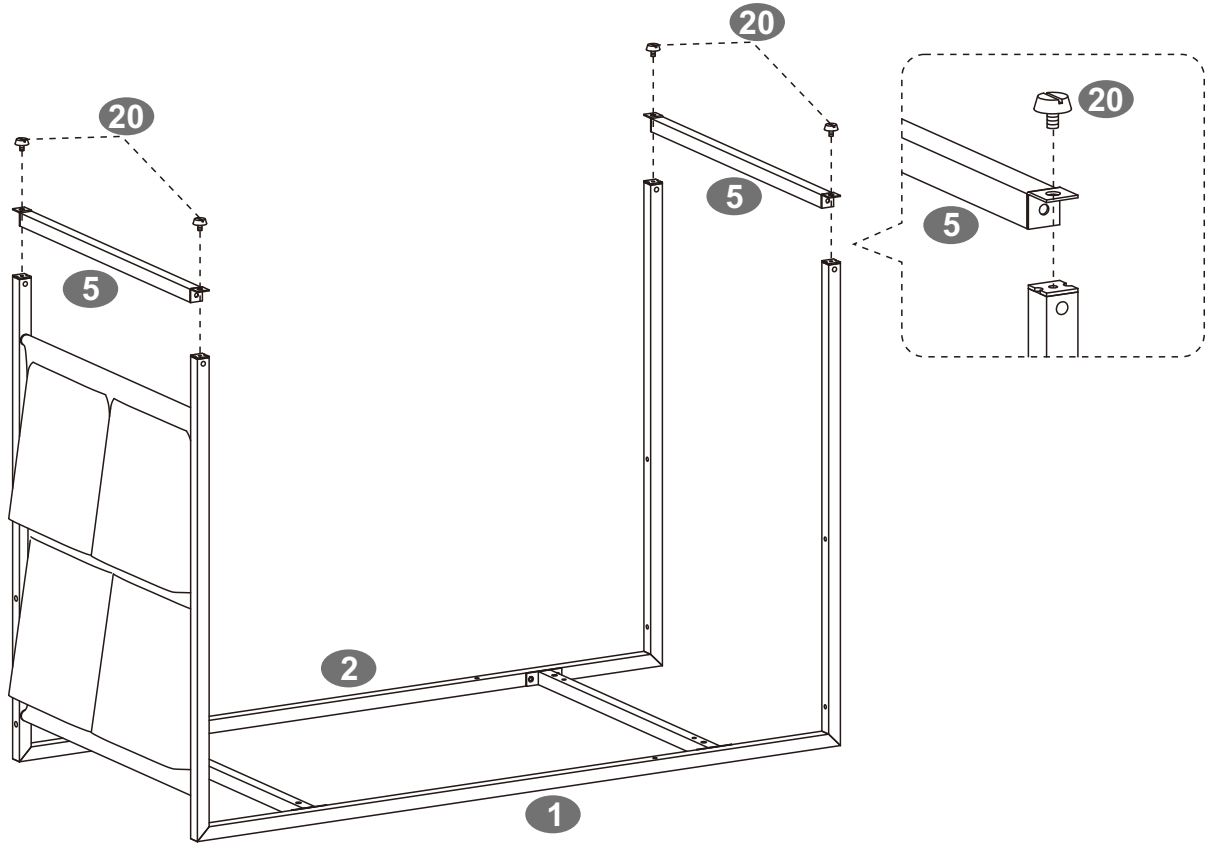
**G** 6X30 MM  
x2








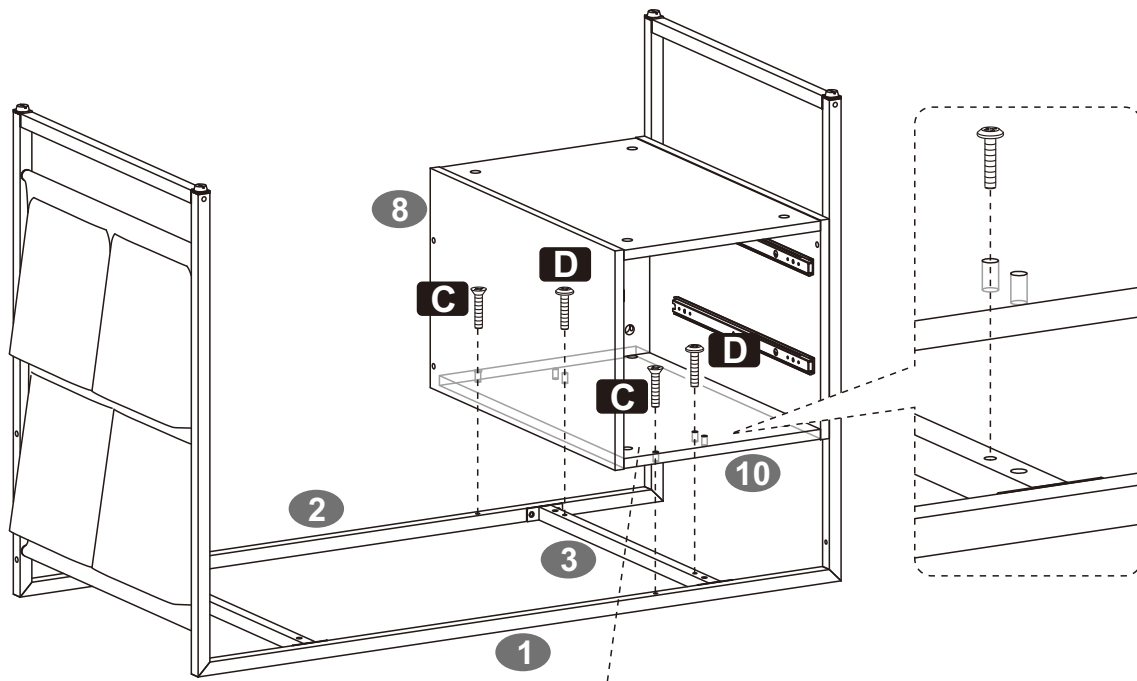
<b>B</b> 6X15 MM	
 x8	
<b>D</b> 6X30 MM	
 x2	







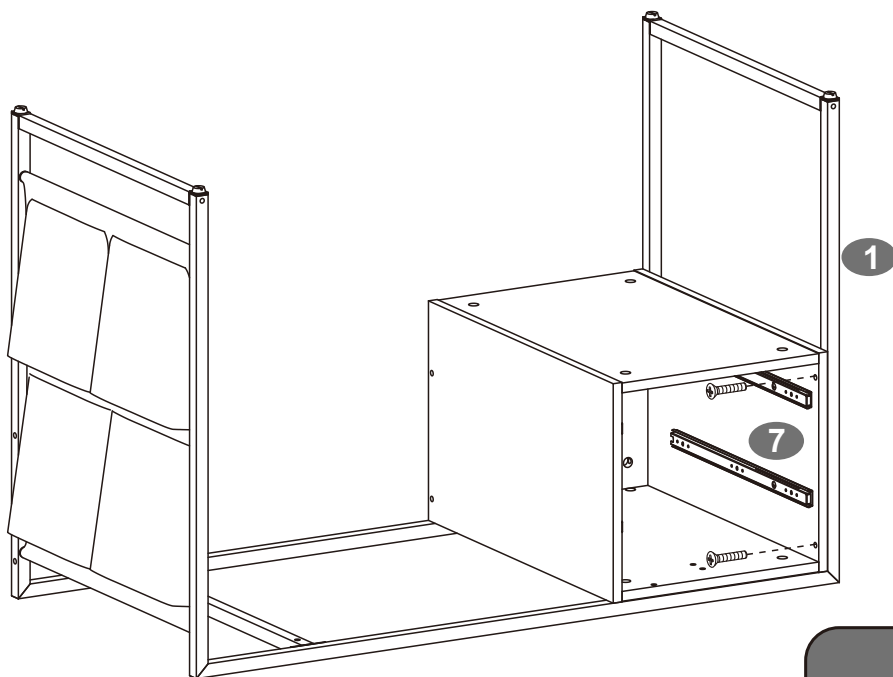



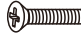
**D** 6X30 MM   
 x4 

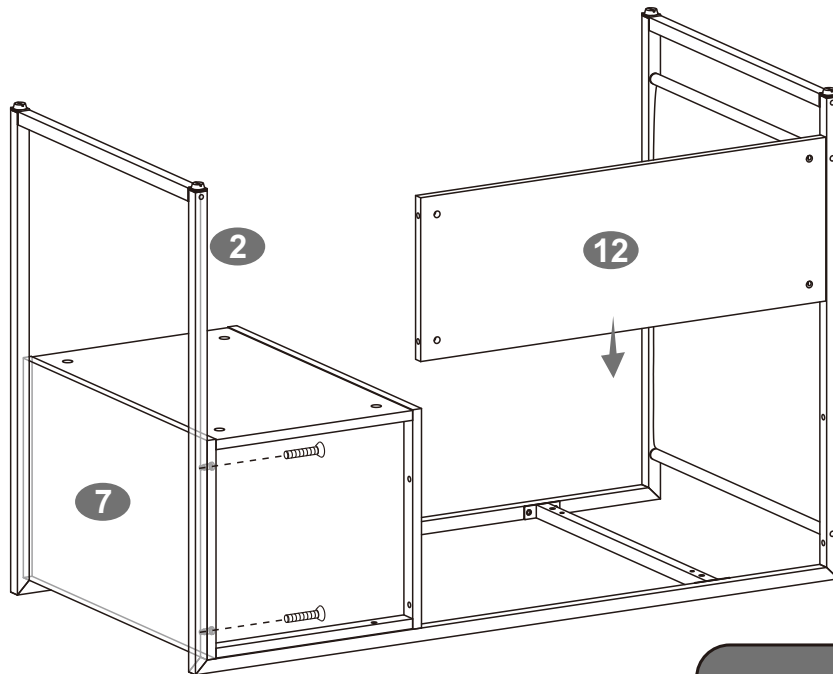






<b>C</b> 6X25 MM	
 x2	
<b>D</b> 6X30 MM	
 x2	

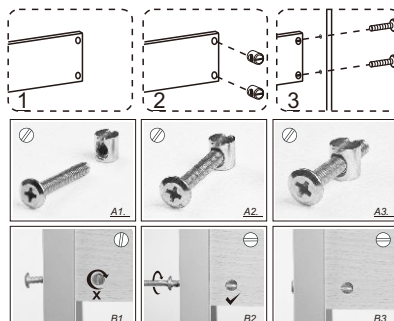
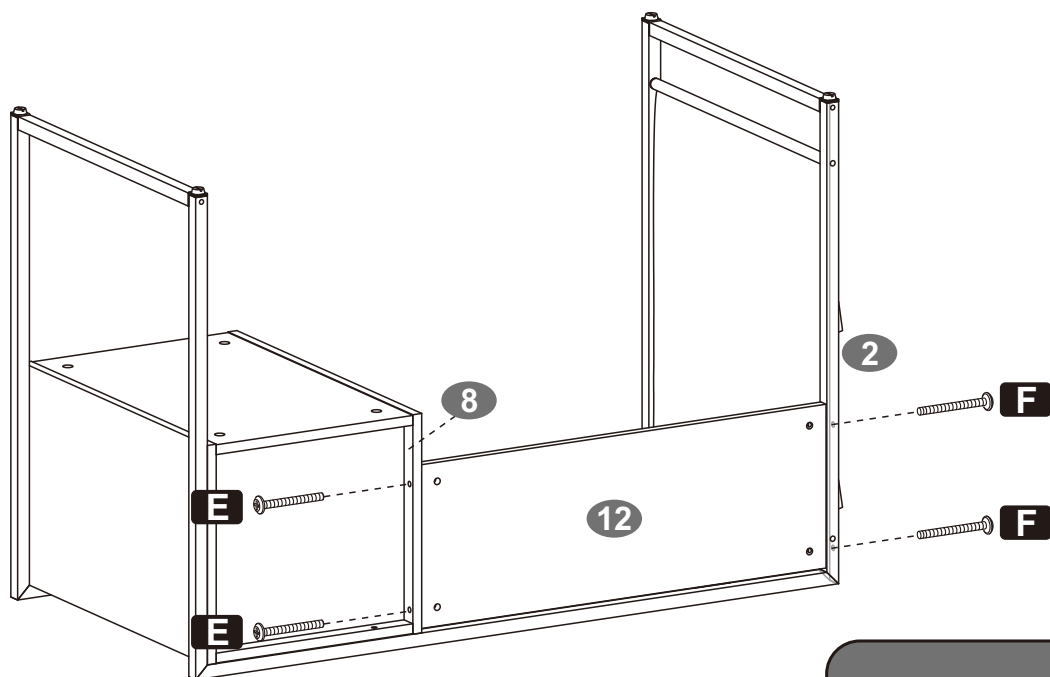



<b>C</b> 6X25 MM	
 x2	




**C** 6X25 MM 


 x2




**E** 6X50 MM 


 x2

---

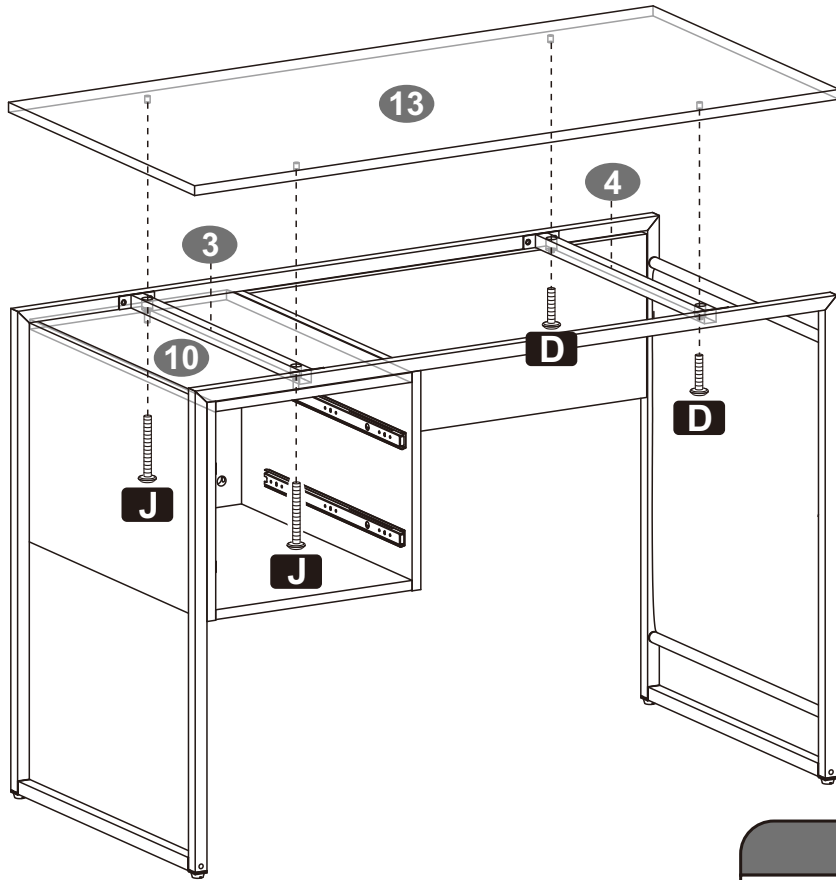
**F** 6X55 MM 





 x2

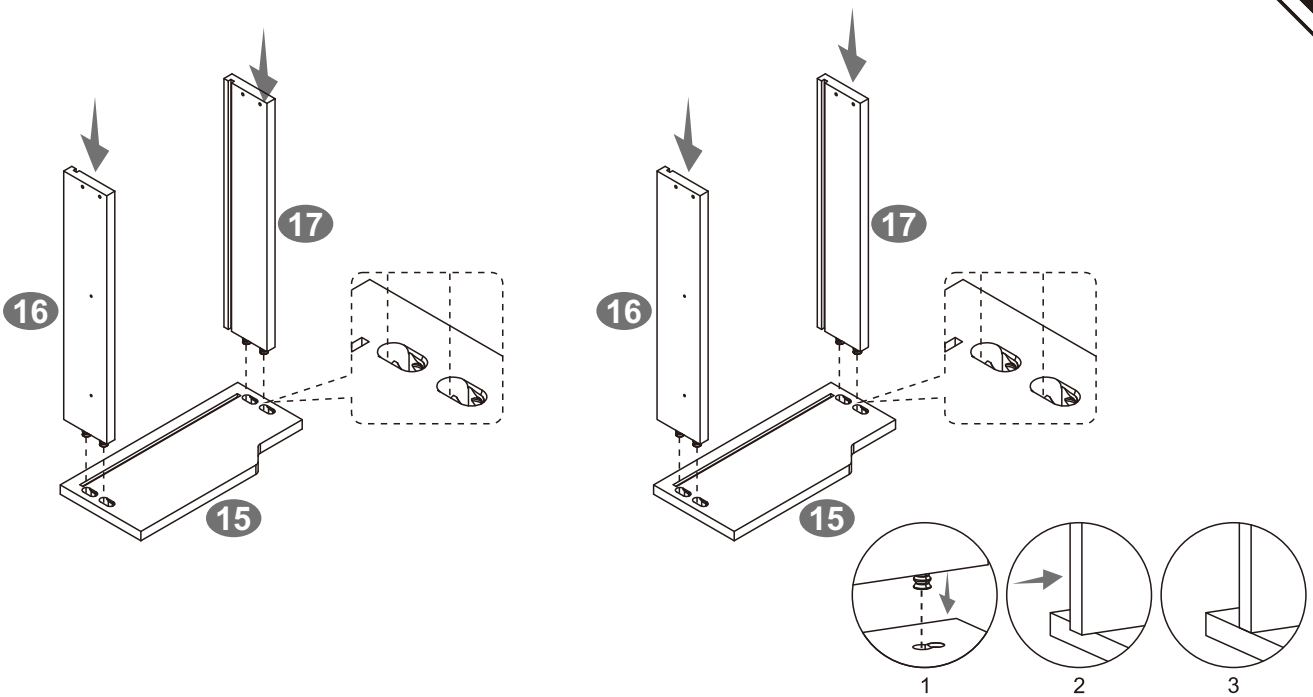
---

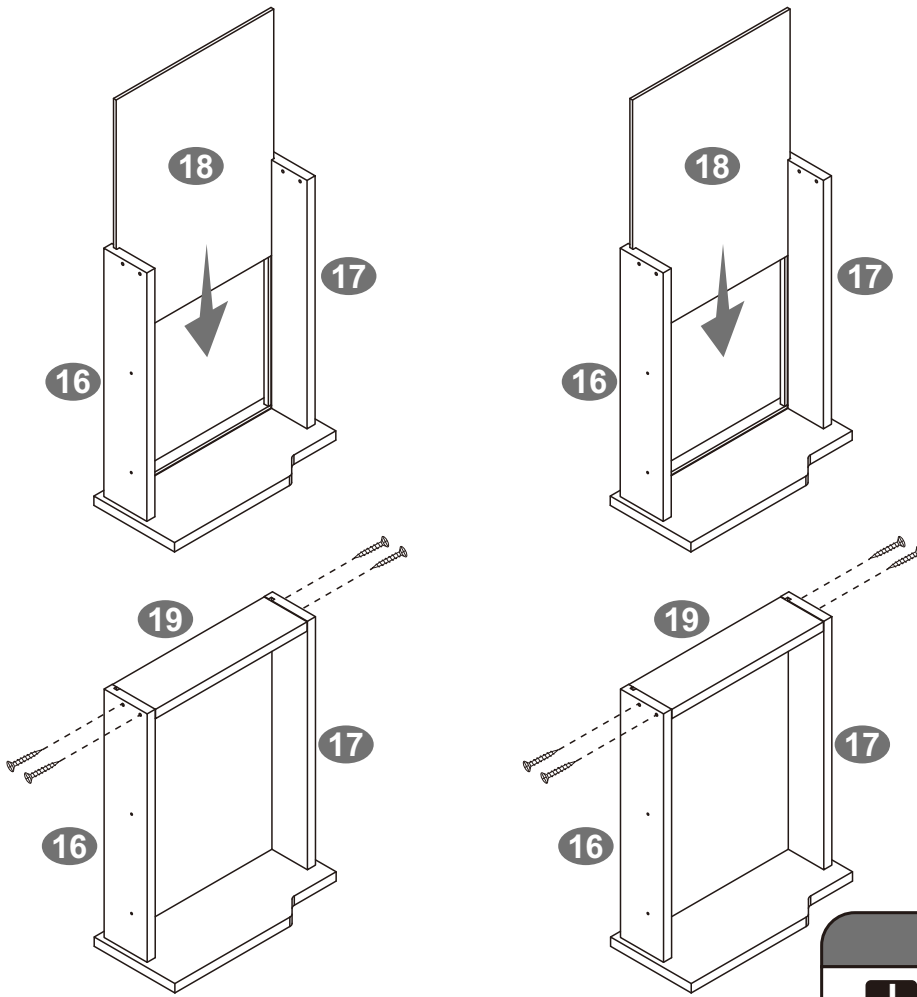
**M**  $\Phi$  10 MM 



x4

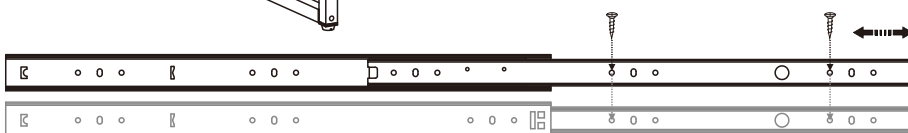
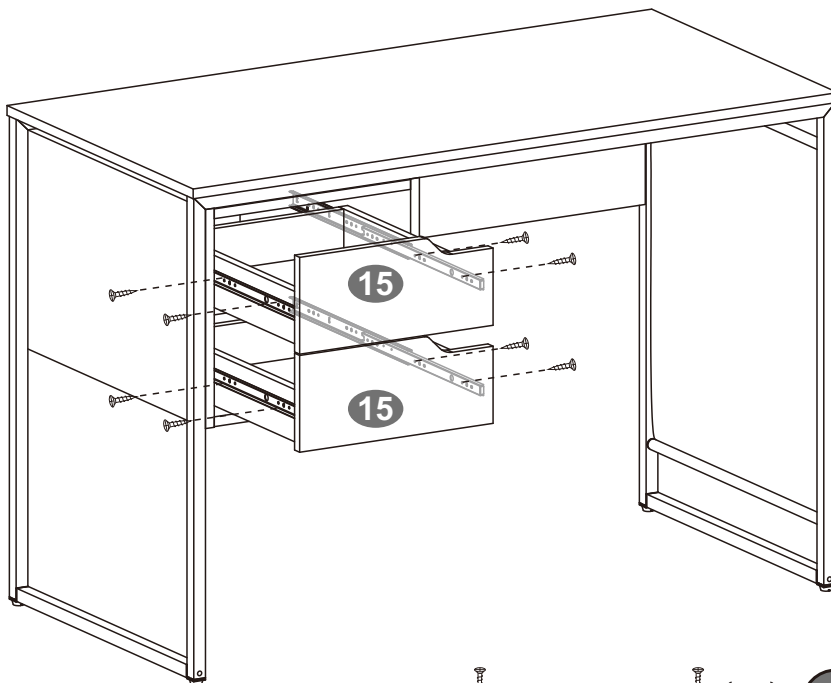




<b>D</b>	6X30 MM	
	x2	
<b>J</b>	6X45 MM	
	x2	





**I** 4X35 MM  
 x8  




**H** 3X15 MM  
 x8  


US



001-877-644-9366  
customerservice@aosom.com

CA



001-855-537-6088  
customerservice@aosom.ca

UK



0044-800-240-4004  
enquiries@mhstar.co.uk

DE



0049-(0)40-88307530  
service@aosom.de

FR



0033-1-84166106  
contact@aosom.fr

ES



0034-931294512  
atencioncliente@aosom.es

IT



0039-0249471447  
clienti@aosom.it