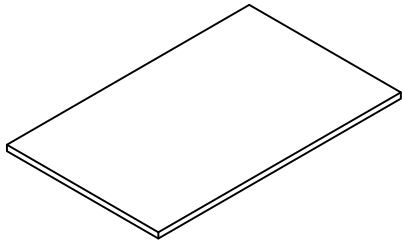


2-3Hours

READ AND SAVE THIS INSTRUCTION FOR FUTURE USE

ASSEMBLY INSTRUCTION

1



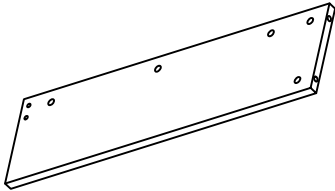
1 PC

2



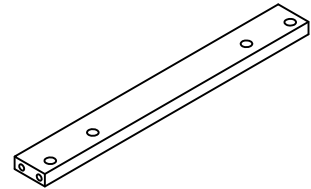
1 PC

3



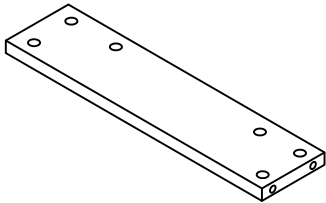
1 PC

4



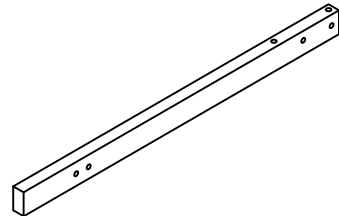
1 PC

5



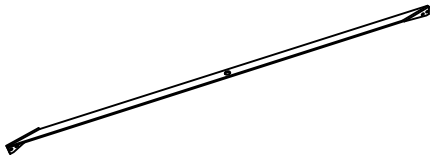
1 PC

6



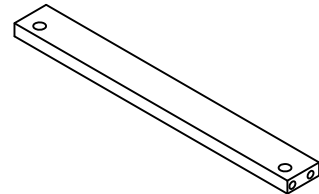
1 PC

7



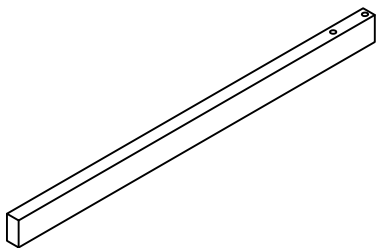
2 PCS

8



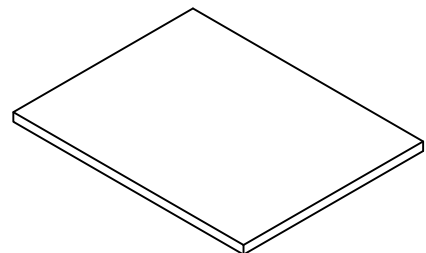
1 PC

9



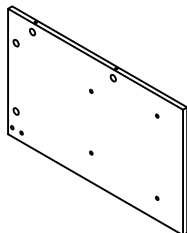
1 PC

10



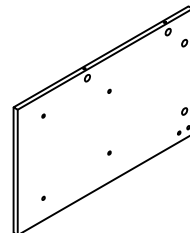
1 PC

11

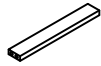


1 PC

12

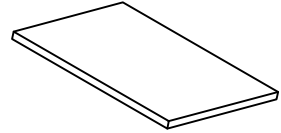


13



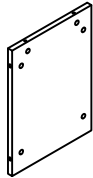
1 PC

14



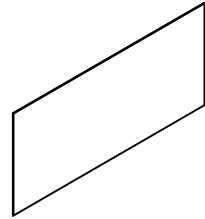
1 PC

15



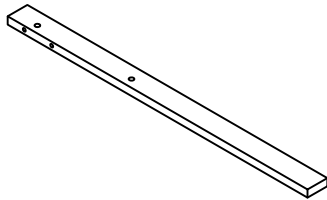
1 PC

16



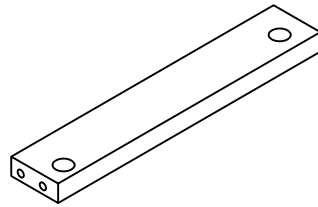
1 PC

17



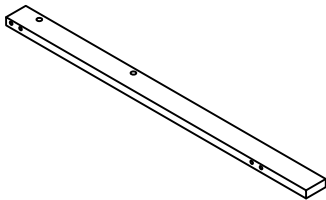
1 PC

18



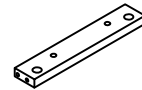
1 PC

19



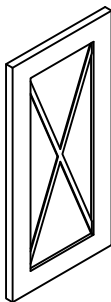
1 PC

20

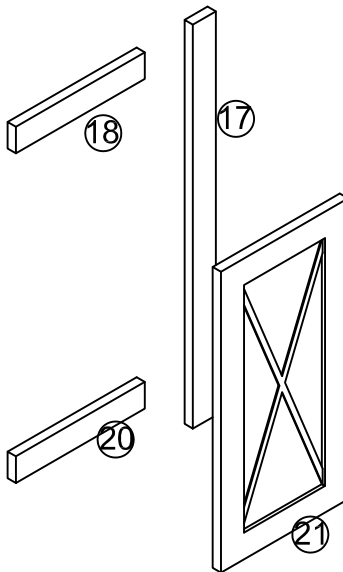
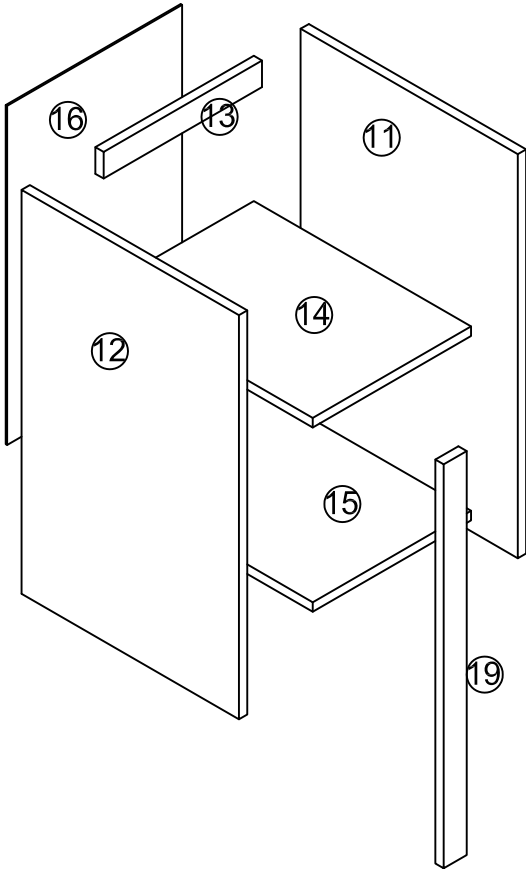
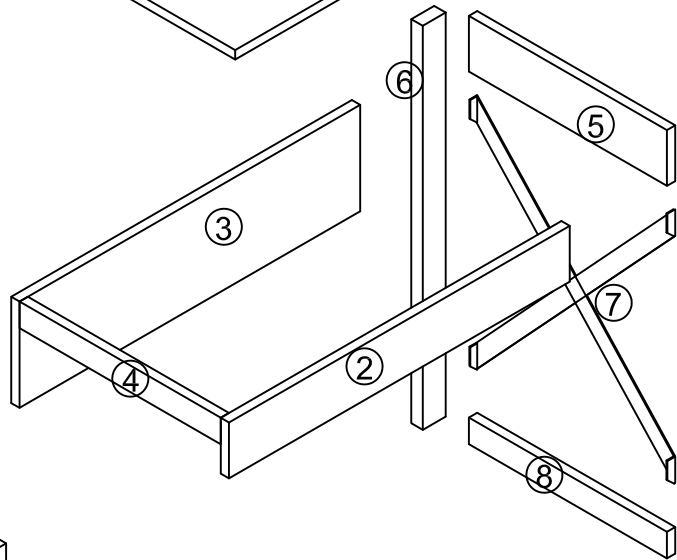
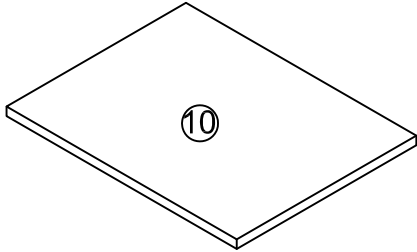
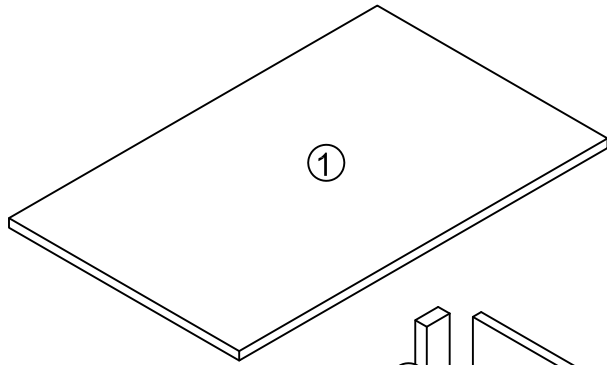


1 PC



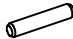
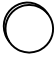







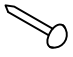









21



1 PC



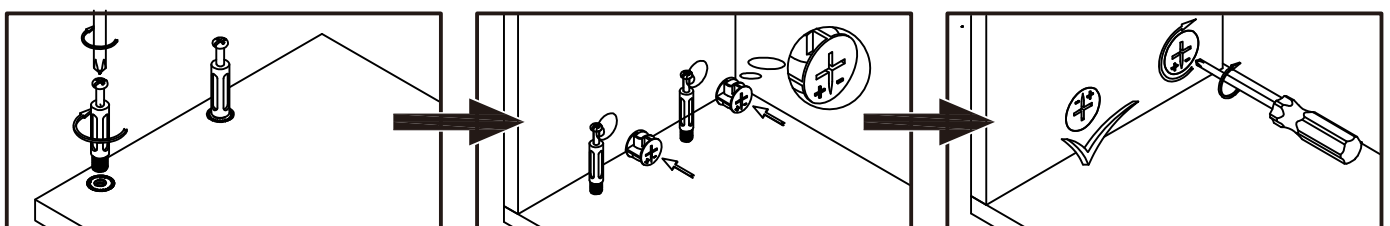
HARDWARE LIST

A  M5X45 46 PCS	B  46 PCS	C  Ø8X30 12 PCS	
D STICKER  N PCS	E 50X30  2 PCS	F 50X15  8 PCS	U 50X15  4 PCS
G  1 PC	H  4 PCS	I  1 PC	
J  1 PC	K  12 PCS	L  2 PCS	
M  Ø4X14 8 PCS	N  1 PCS	O  Ø4X14 1 PCS	
P  4 PCS	Q  1 PCS	R  1 PCS	
S  Ø3X12 4 PCS	T 30X50  2 PCS		

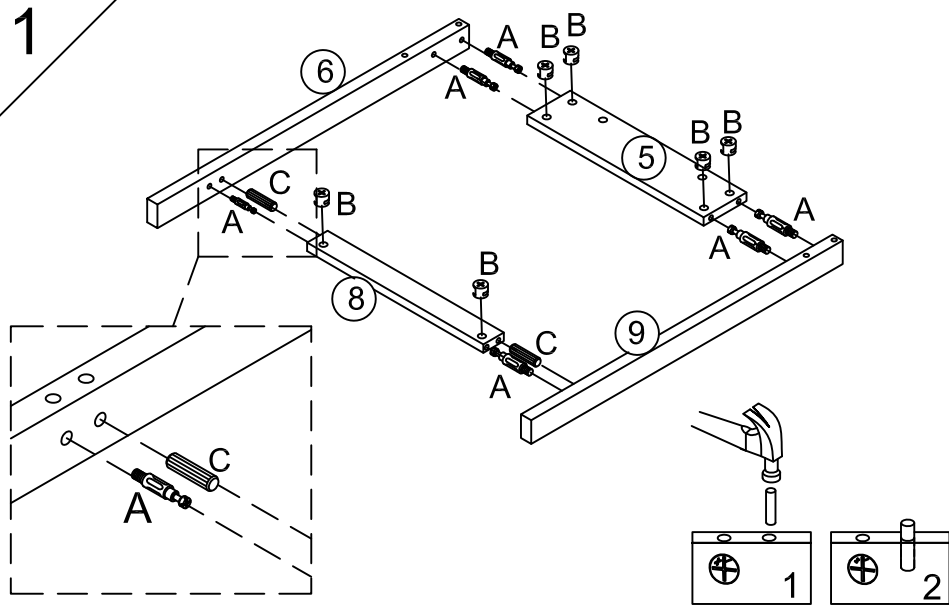
5X45mm bolt installation as below






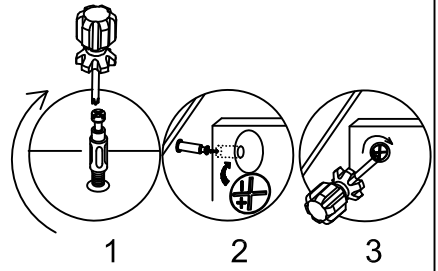
NOT INCLUDED



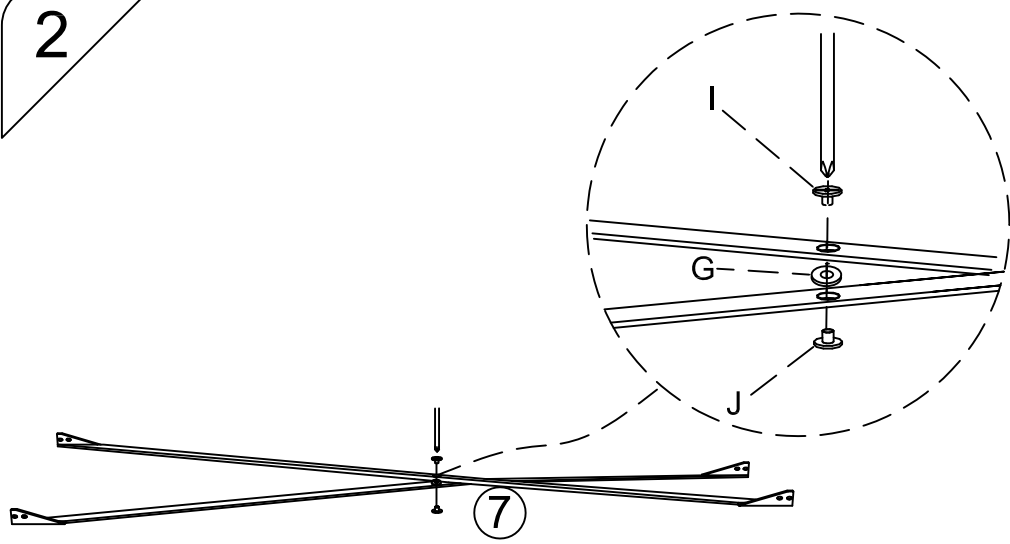
1






PARTS	
A	6 PCS 
B	6 PCS 
C	2 PCS 

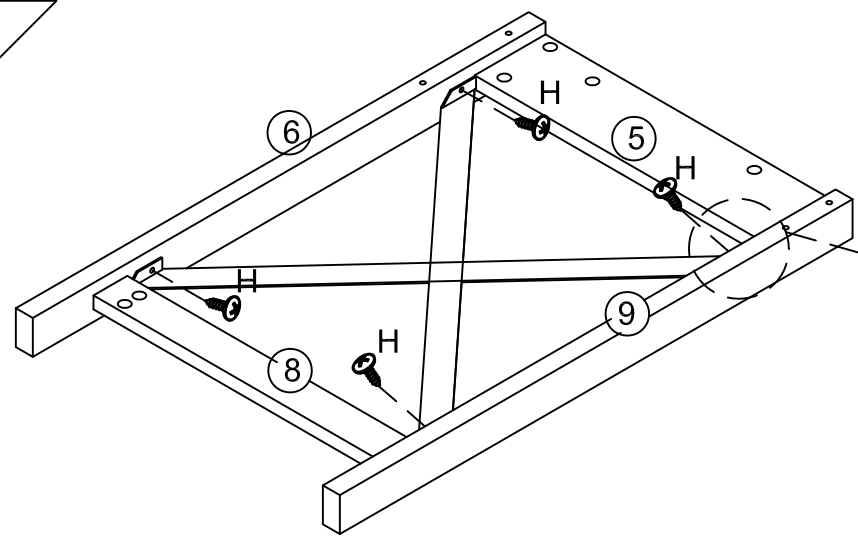



2

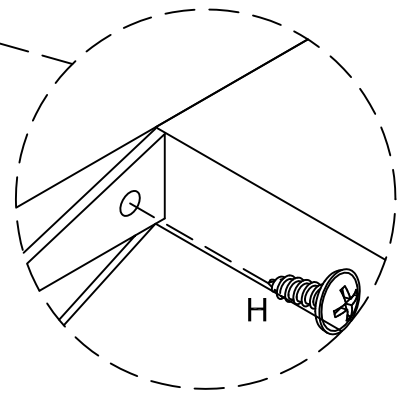


PARTS	
I	1 PC 
J	1 PC 
G	1 PC 

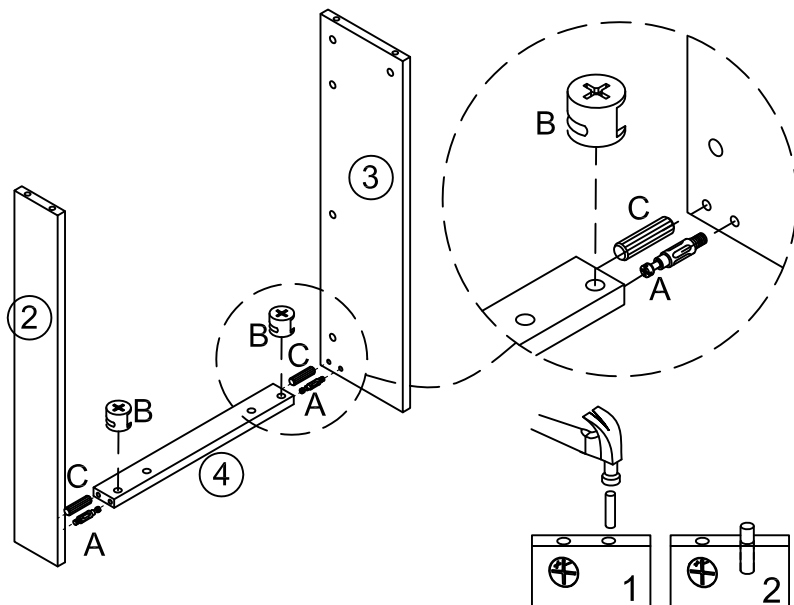
3



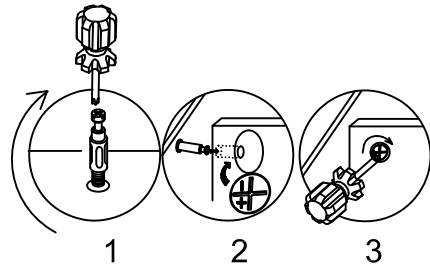
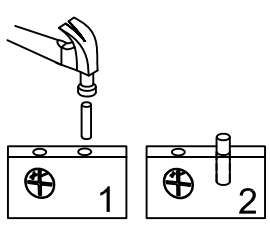
PARTS	
H	4 PCS 



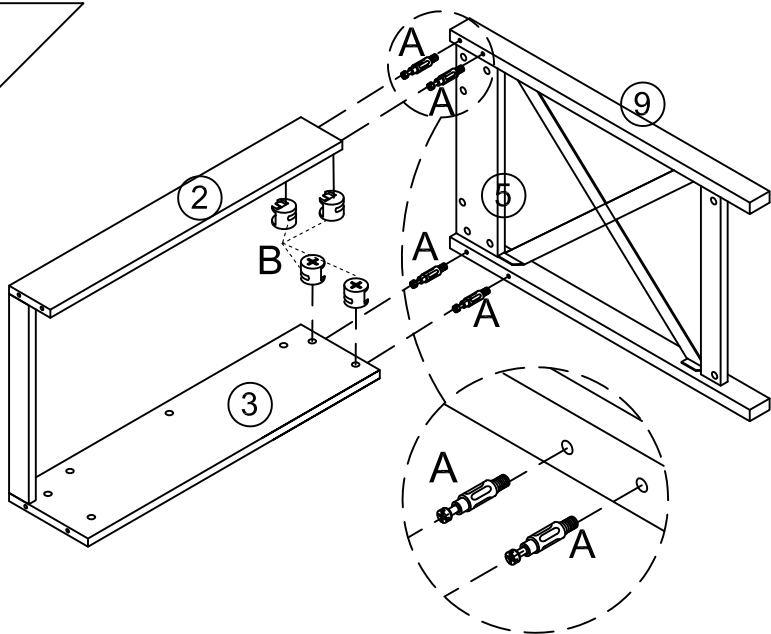
4



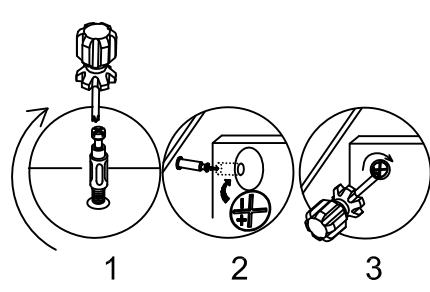
PARTS	
A	2 PCS
B	2 PCS
C	2 PCS



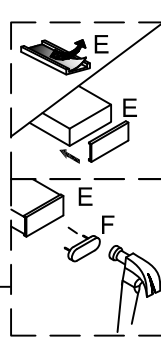
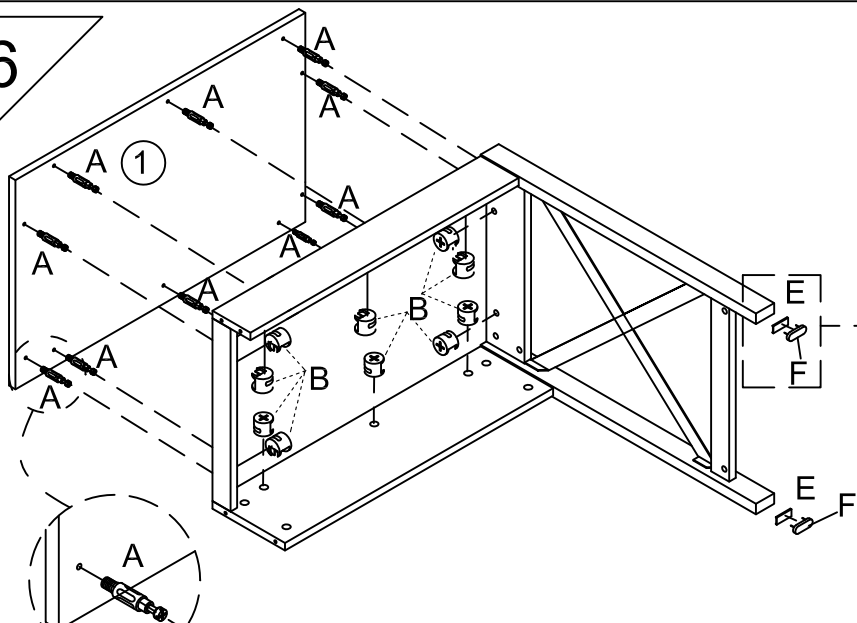
5



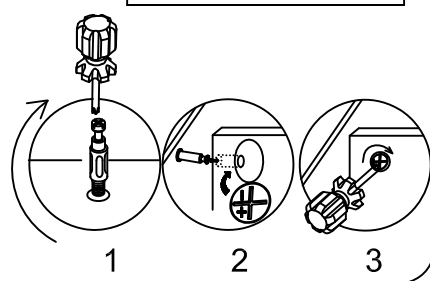
PARTS	
A	4 PCS
B	4 PCS



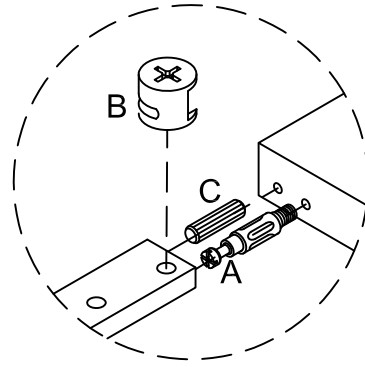
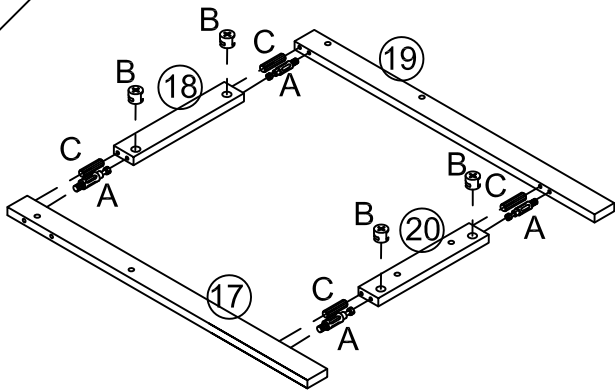
6



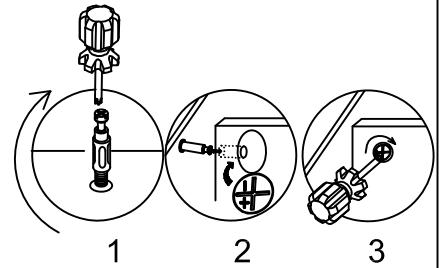
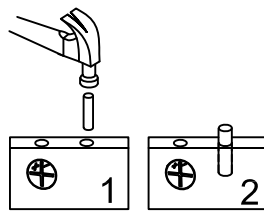
PARTS	
A	10 PCS
B	10 PCS
F	2 PCS
E	50X30 2 PCS



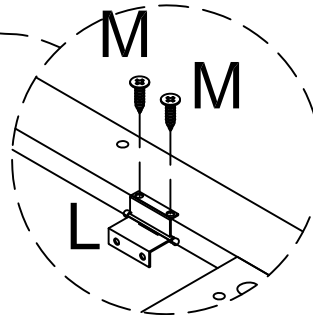
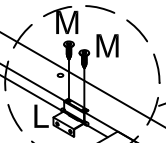
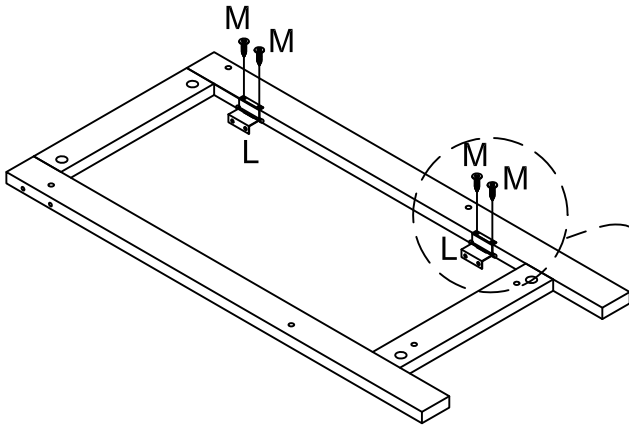
7



PARTS	
A	4 PCS
B	4 PCS
C	4 PCS

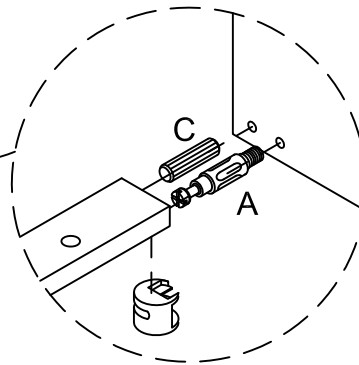
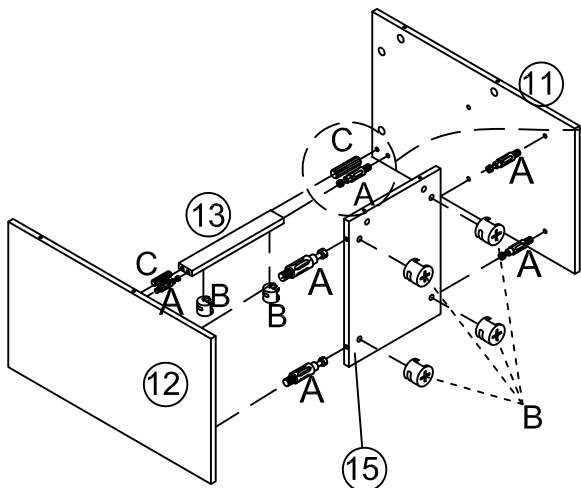


8



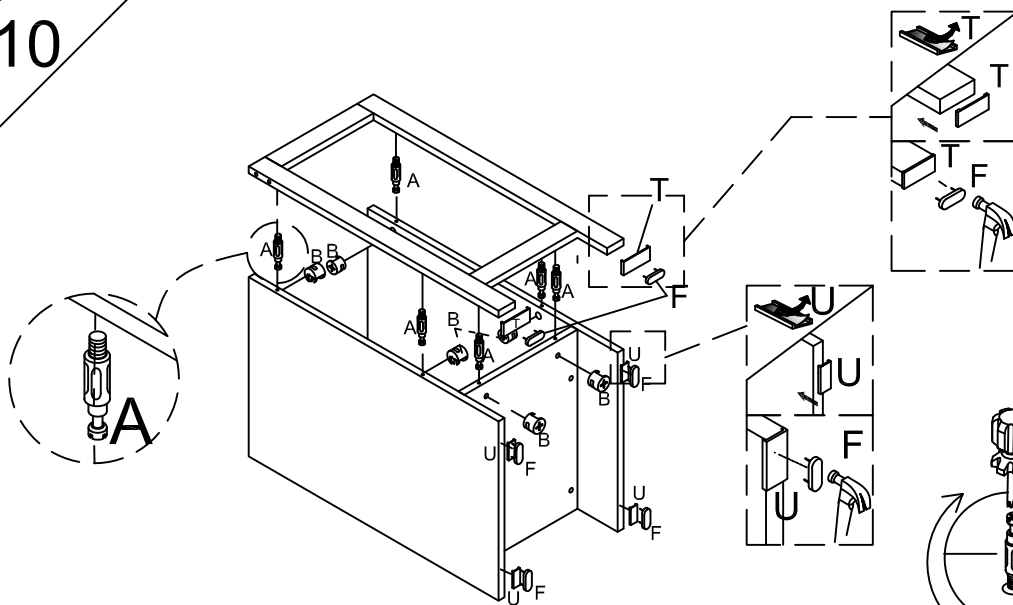
PARTS	
L	2 PCS
M	Ø4X14 4 PCS



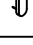
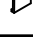

9

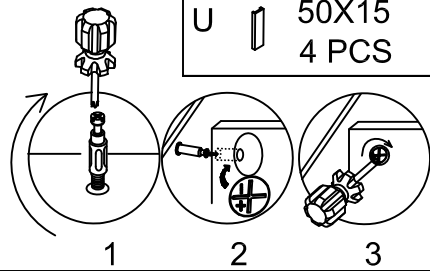


PARTS	
A	6 PCS
B	6 PCS
C	2 PCS

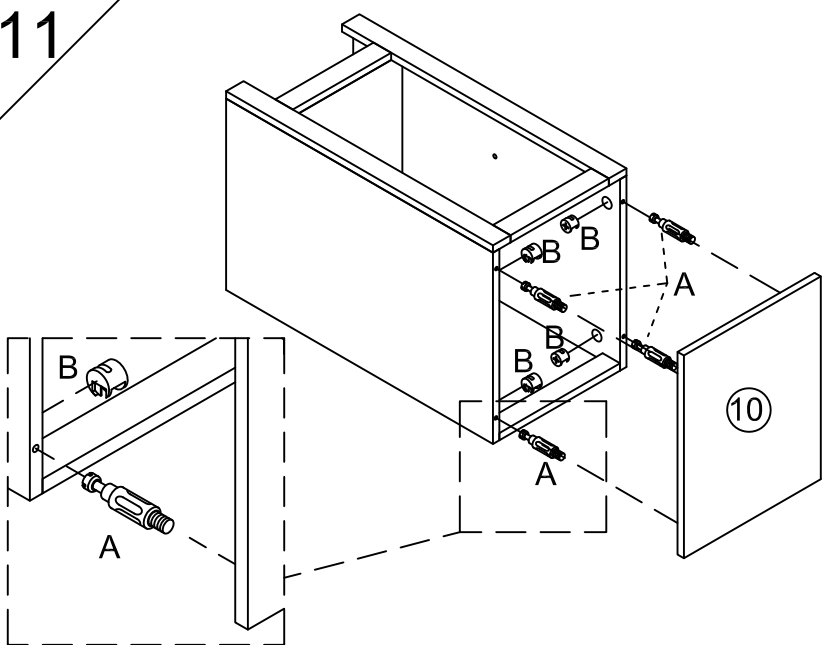
10





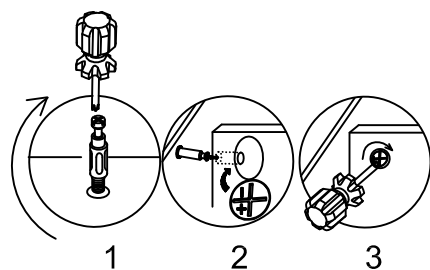
PARTS	
A	6 PCS 
B	6 PCS 
F	50X15 6 PCS 
T	30X50 2 PCS 
U	50X15 4 PCS 



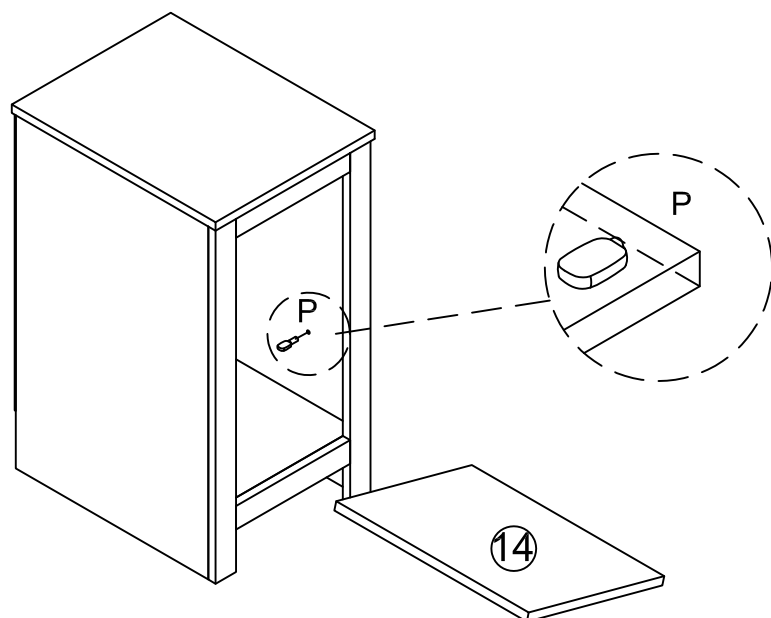
11




PARTS	
A	4 PCS 
B	4 PCS 

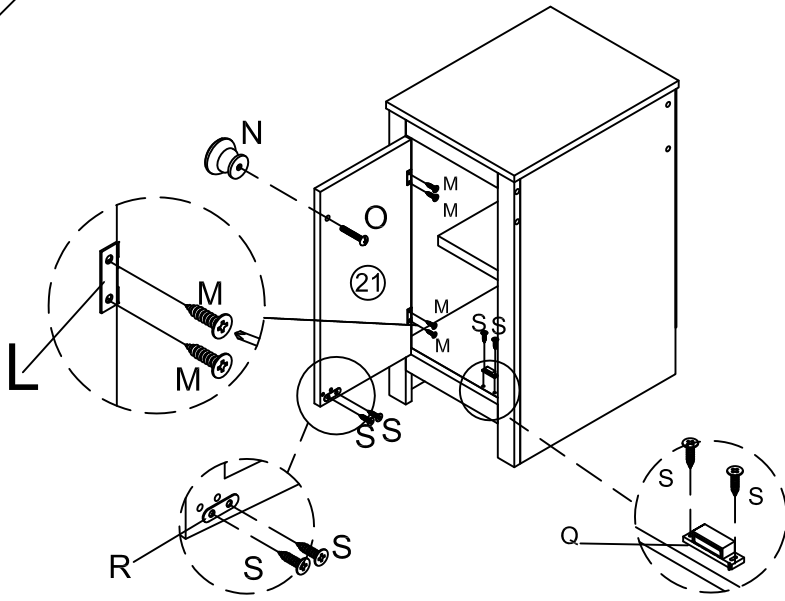


12



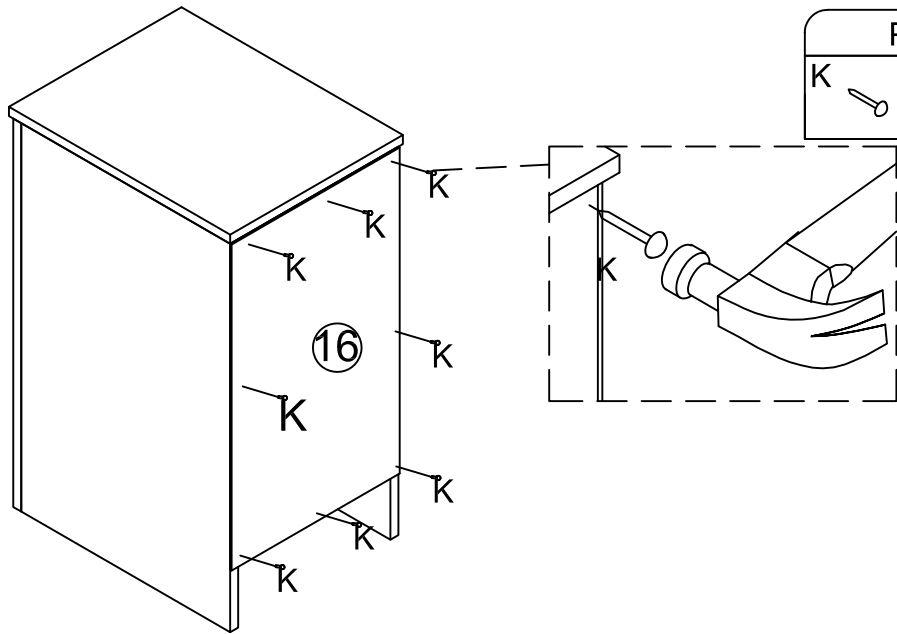
PARTS	
P	4 PCS 

13



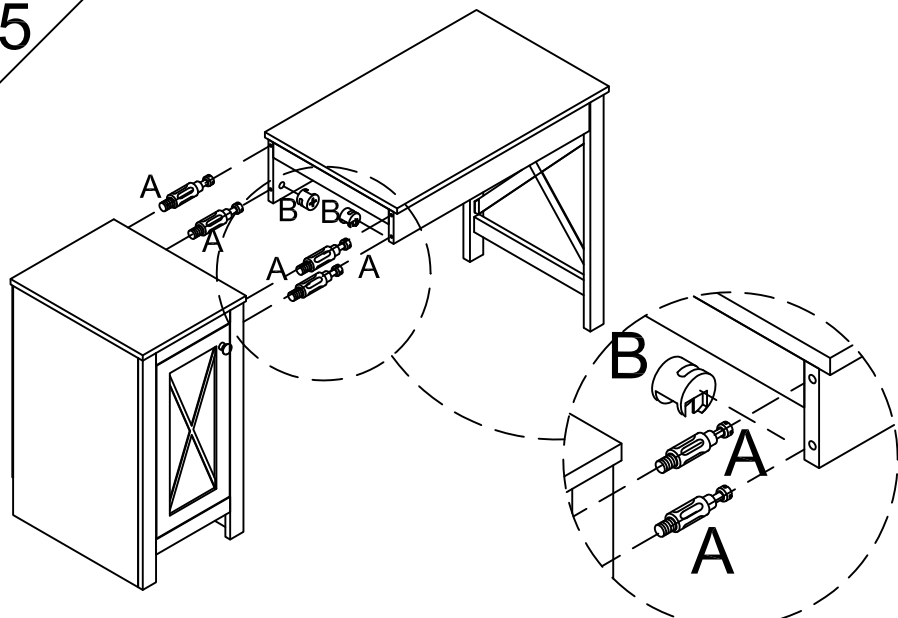
PARTS	
M	Ø4X14 4 PCS
N	1 PC
O	Ø4X14 1 PC
Q	1 PC
R	1 PC
S	Ø3X12 4 PCS
L	2 PCS

14

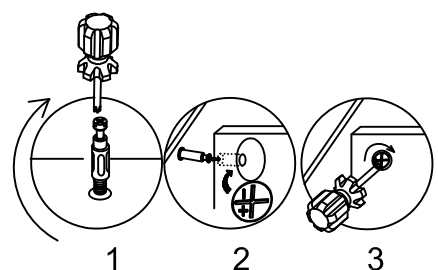


PARTS	
K	N PCS

15



PARTS	
A	4 PCS
B	4 PCS



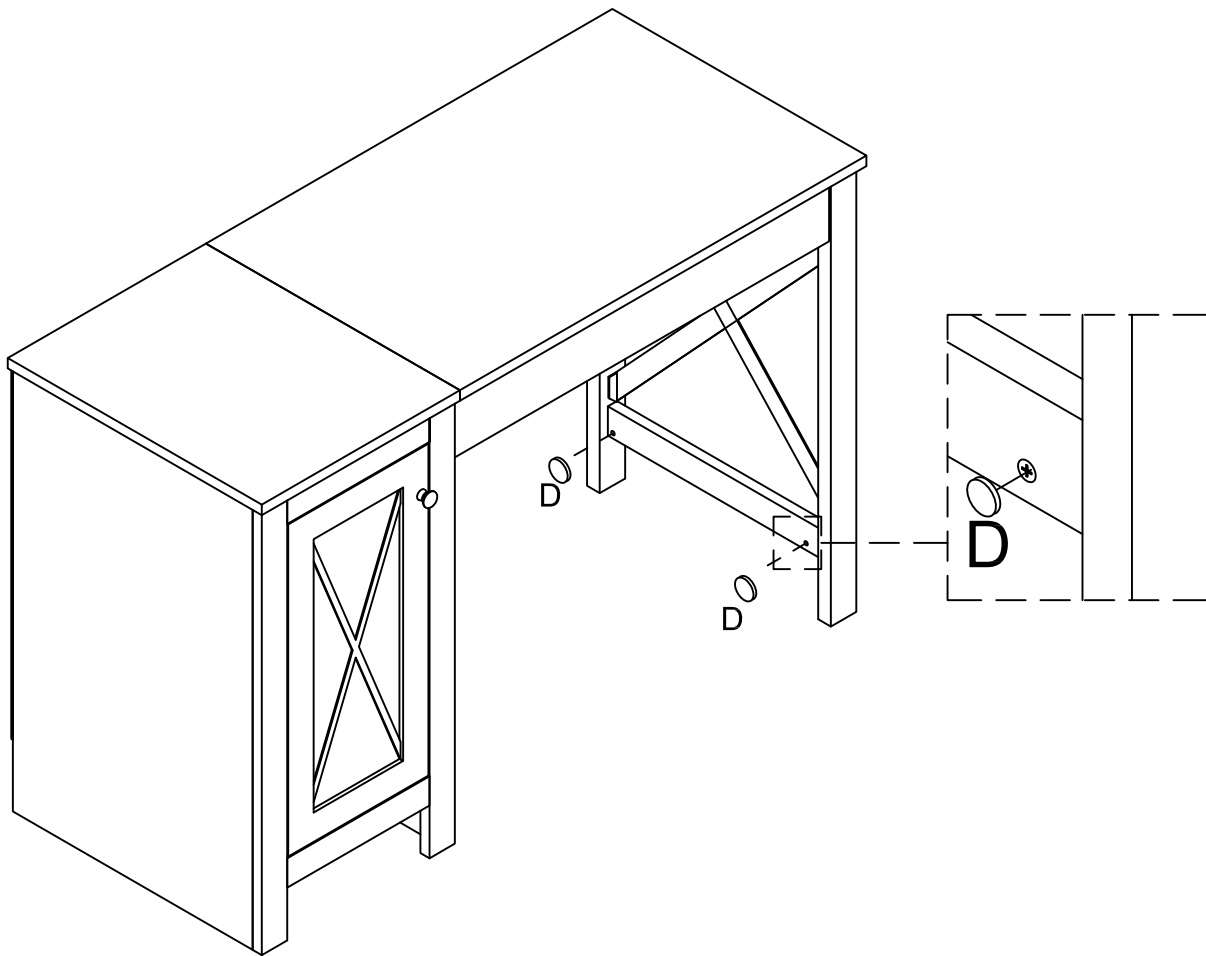
16

PARTS

D



N PCS





US

001-877-644-9366
customerservice@aosom.com



CA

001-855-537-6088
customerservice@aosom.ca



UK

0044-800-240-4004
enquiries@mhstar.co.uk



DE

0049-(0)40-88307530
service@aosom.de



FR

0033-1-84166106
contact@aosom.fr



ES

0034-931294512
atencioncliente@aosom.es



IT

0039-0249471447
clienti@aosom.it

Aosom