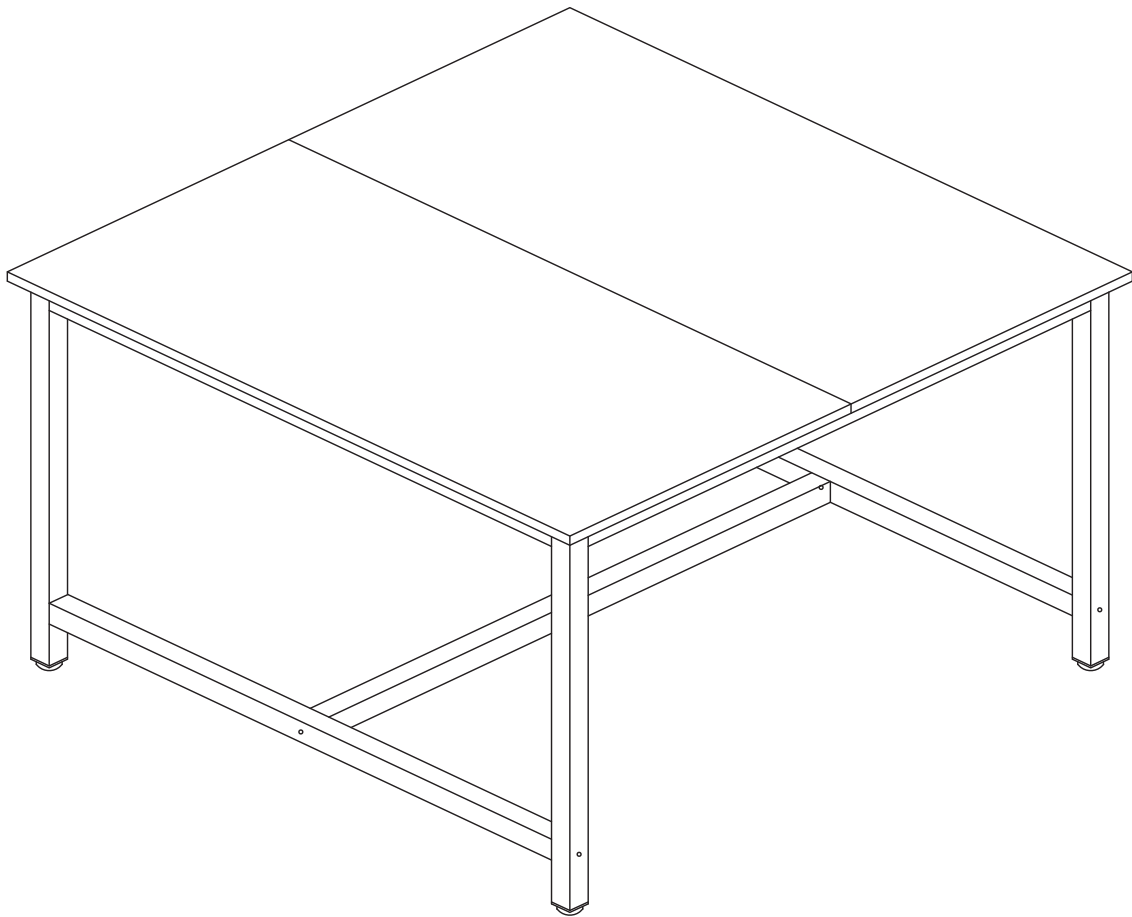




INcqc074V01_GL

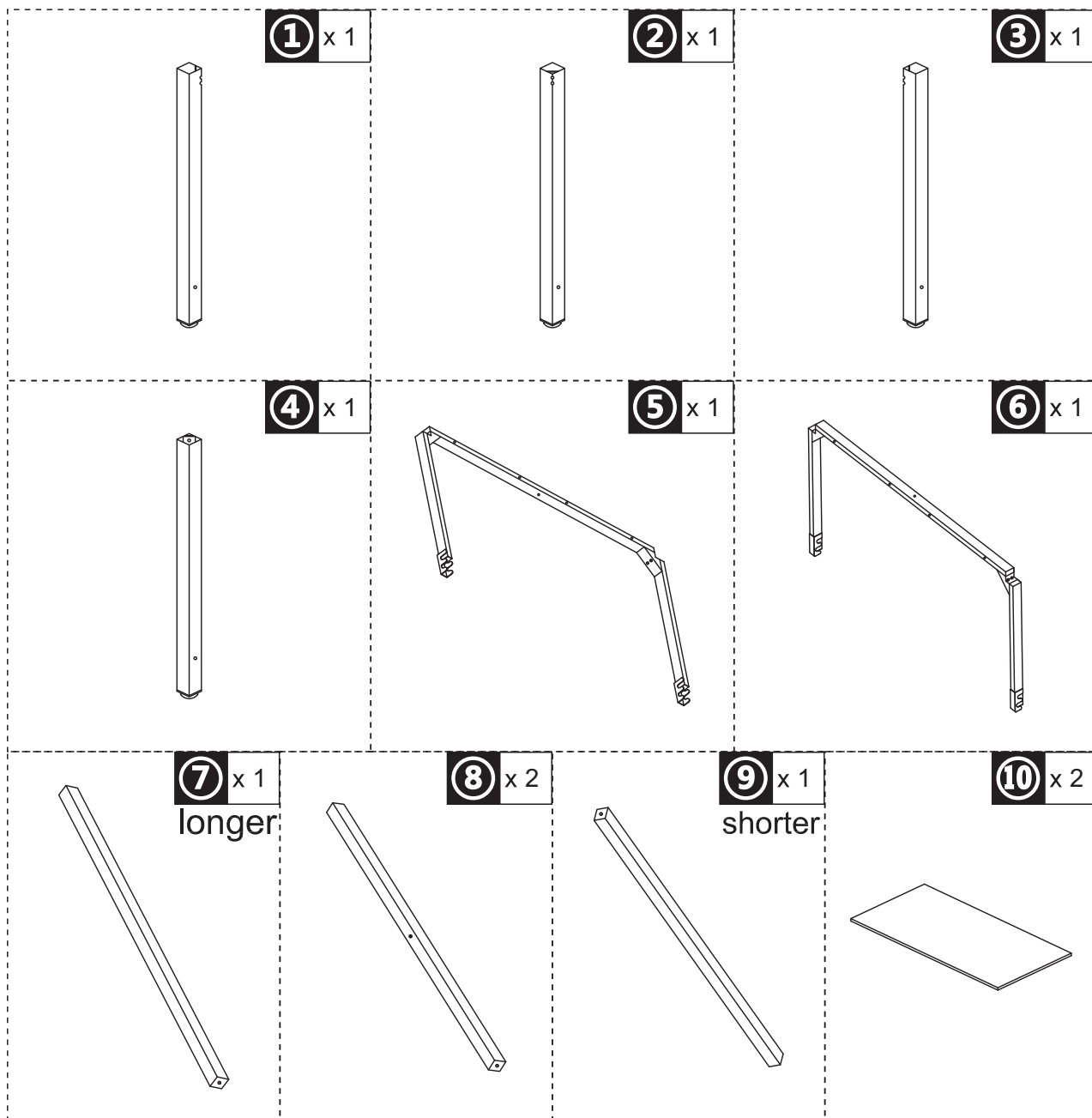
836-423



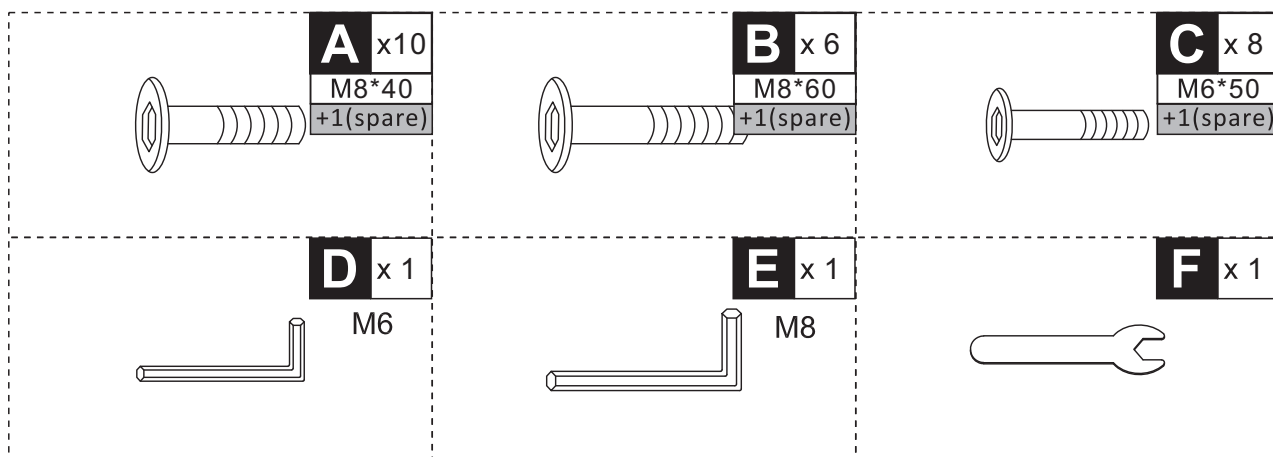
IMPORTANT, RETAIN FOR FUTURE REFERENCE: READ CAREFULLY

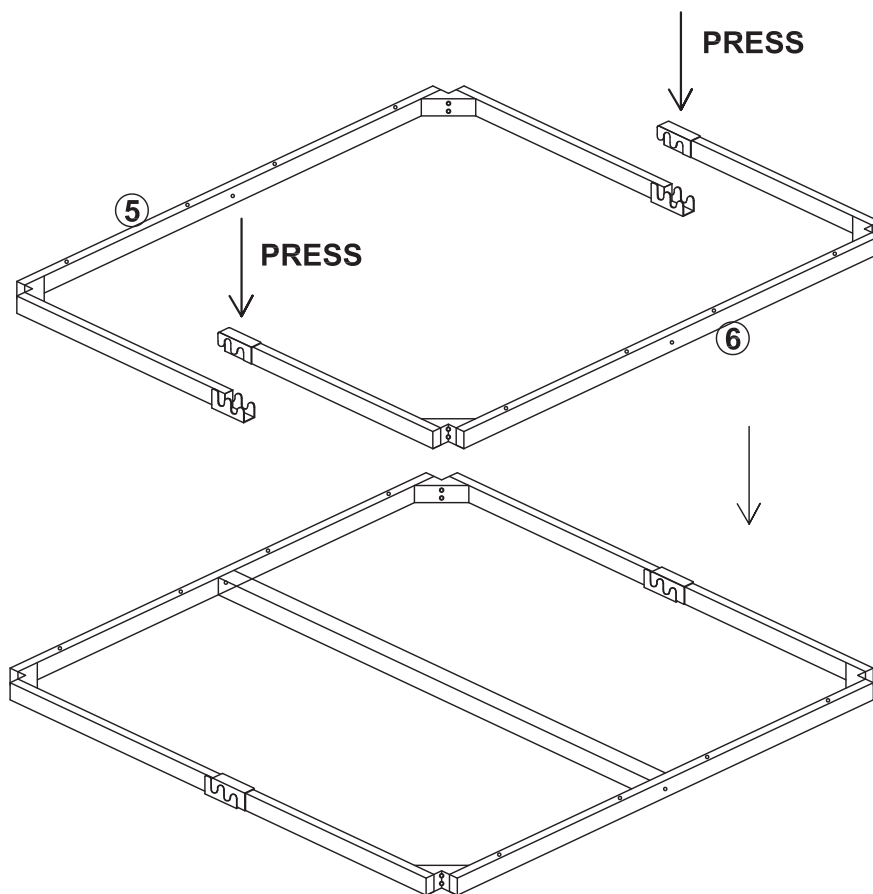
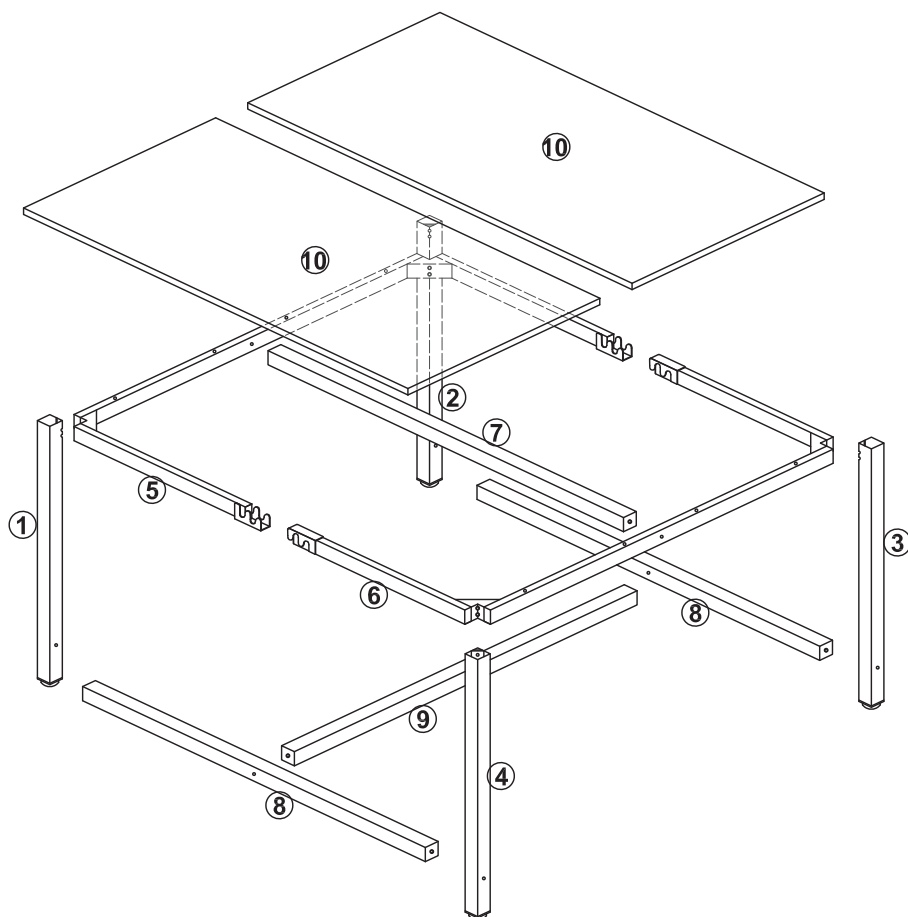
ASSEMBLY & INSTRUCTION MANUAL

PARTS



HARDWARE

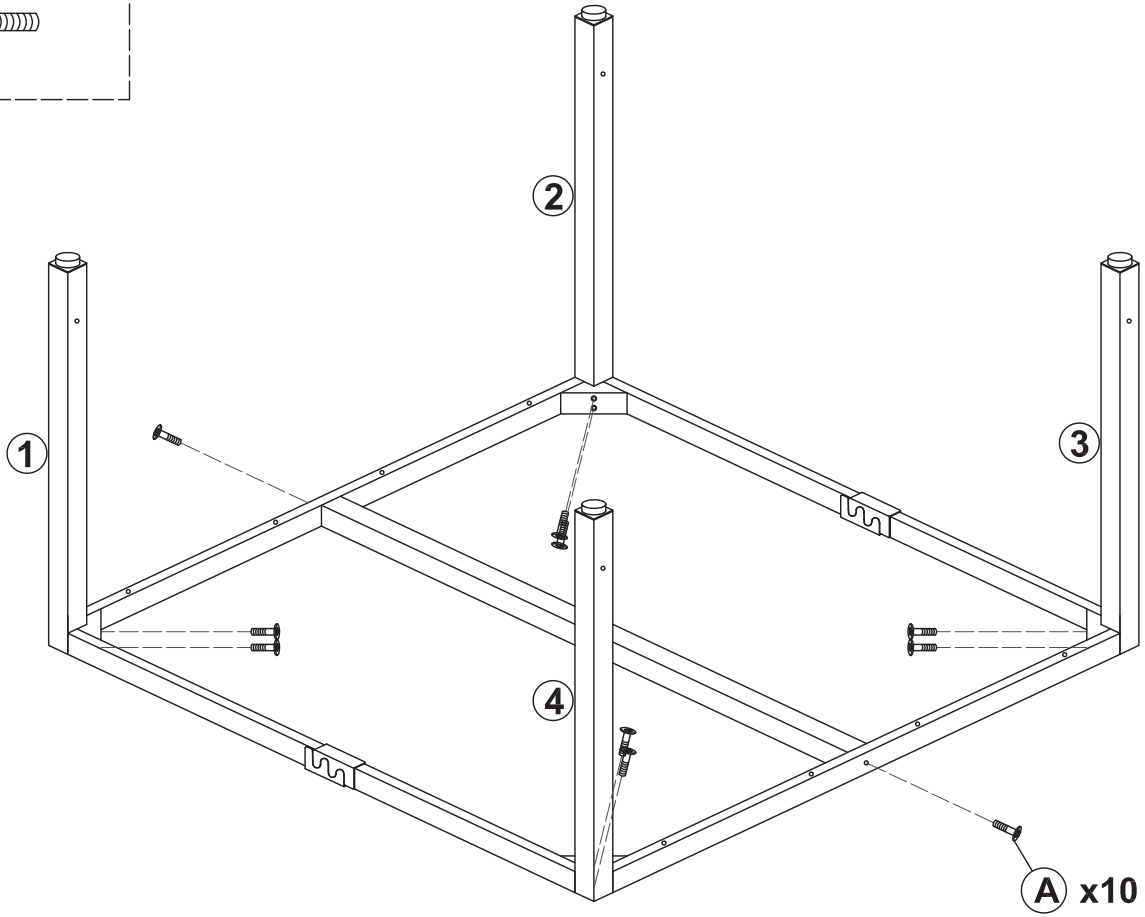




A x10

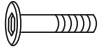


M8*40

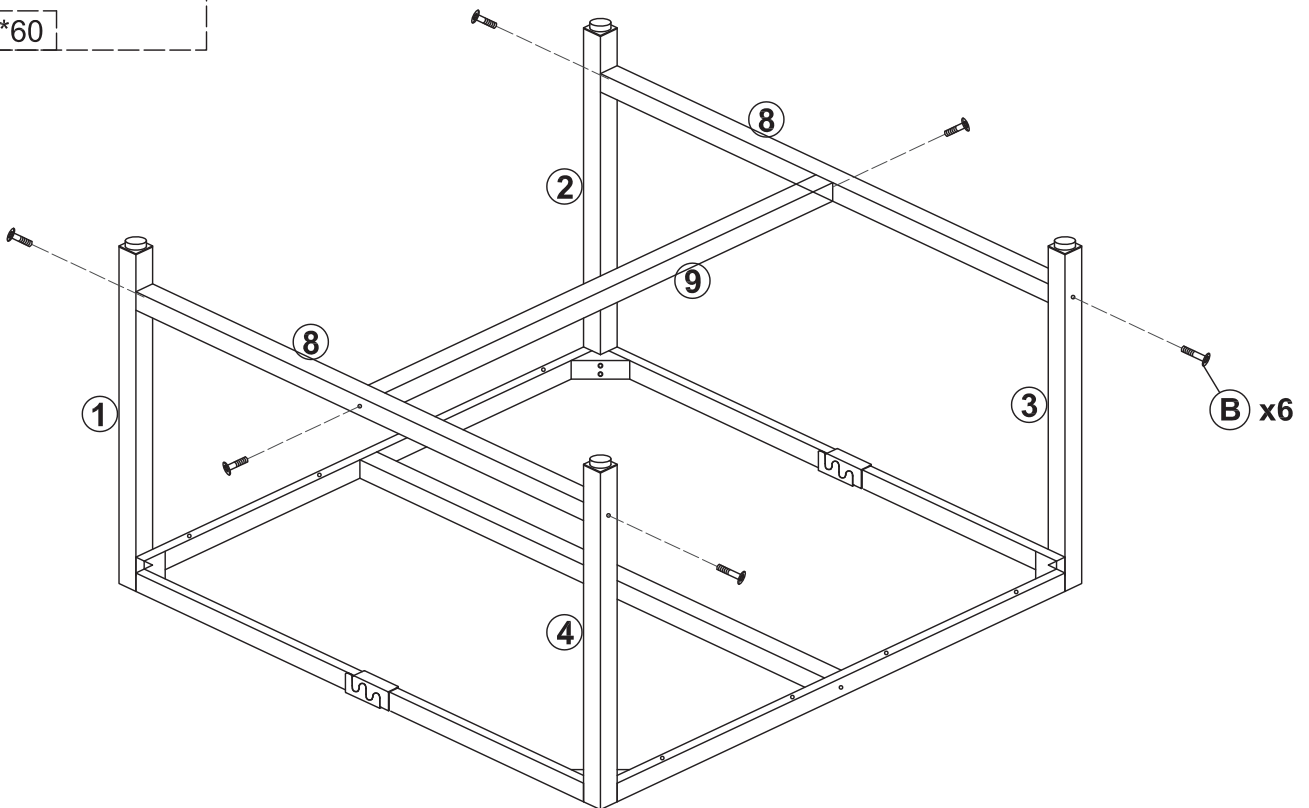


A x10

B x6



M8*60



B x6

