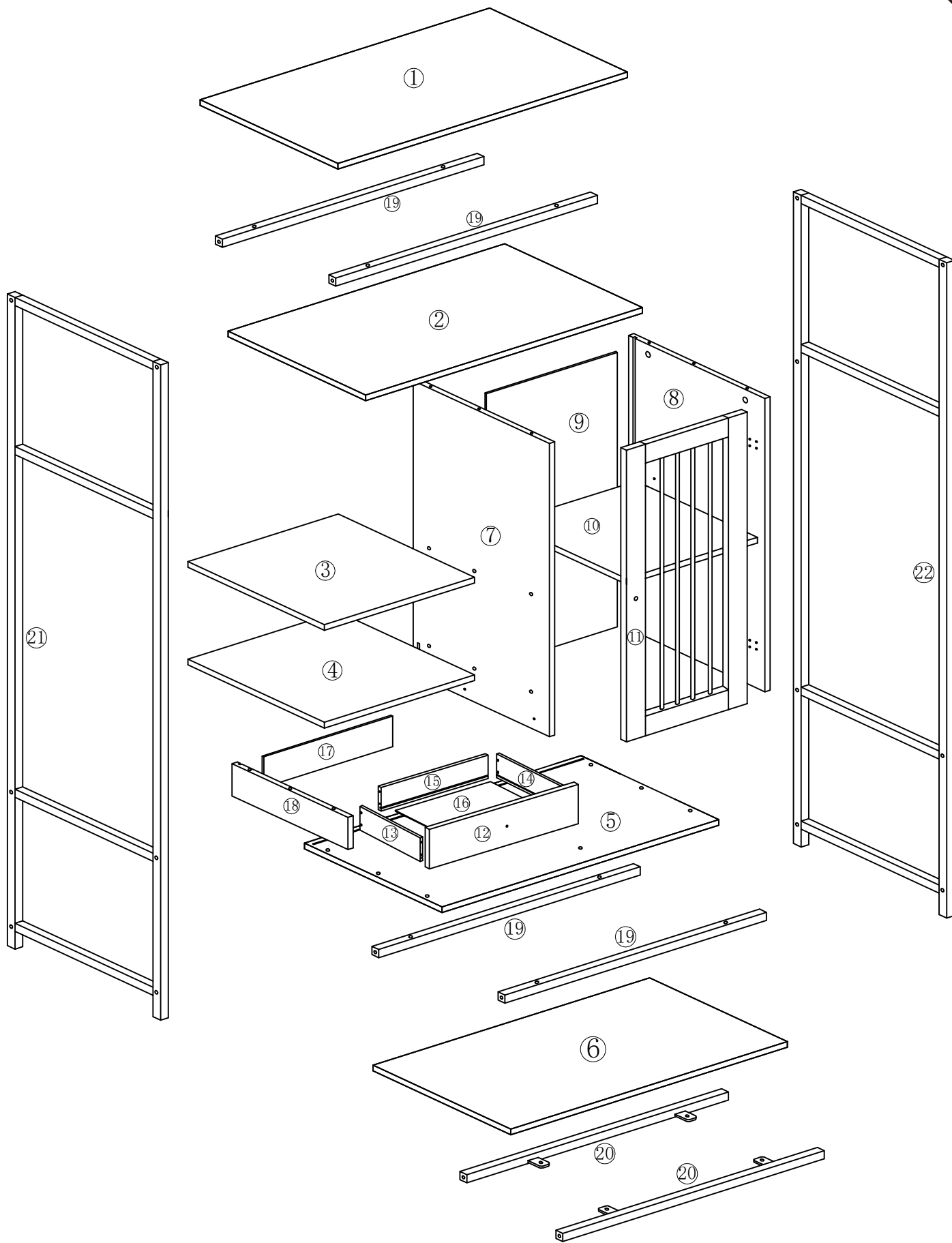


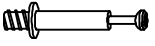
READ AND SAVE THIS INSTRUCTION FOR FUTURE USE

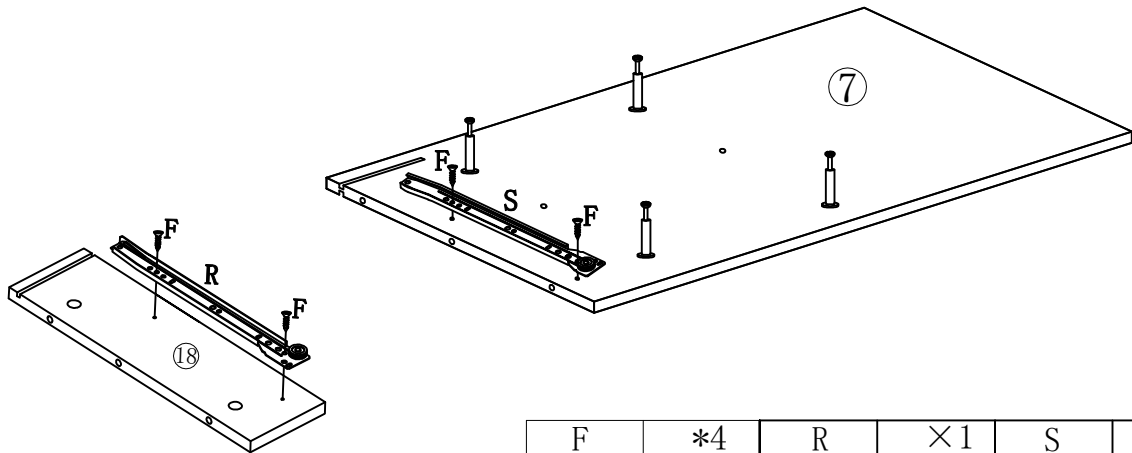
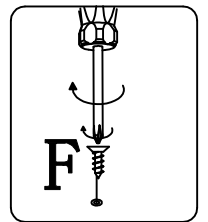
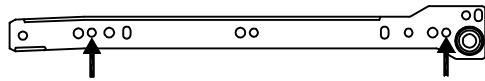
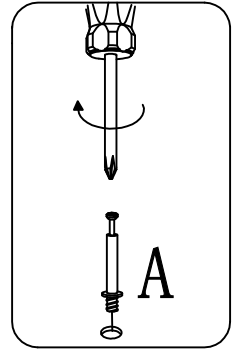
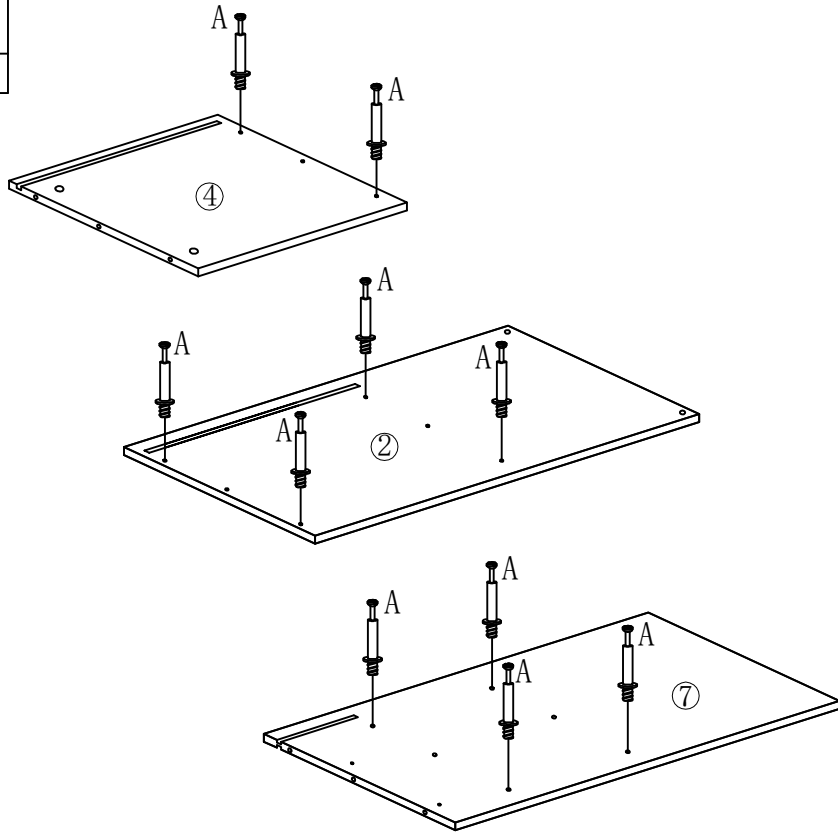
ASSEMBLY INSTRUCTION

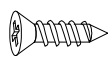






A	*14	B	*14	C	*8	D	X6	E	*1	F	*21	G	*5	H	*12	I	*9	J	*12
φ 6X35		φ 15X12		φ 7. 8X30		φ 7X47		M4X55		3. 5*14mm		4*35mm		M6*12mm		M6*30mm		M6*40mm	

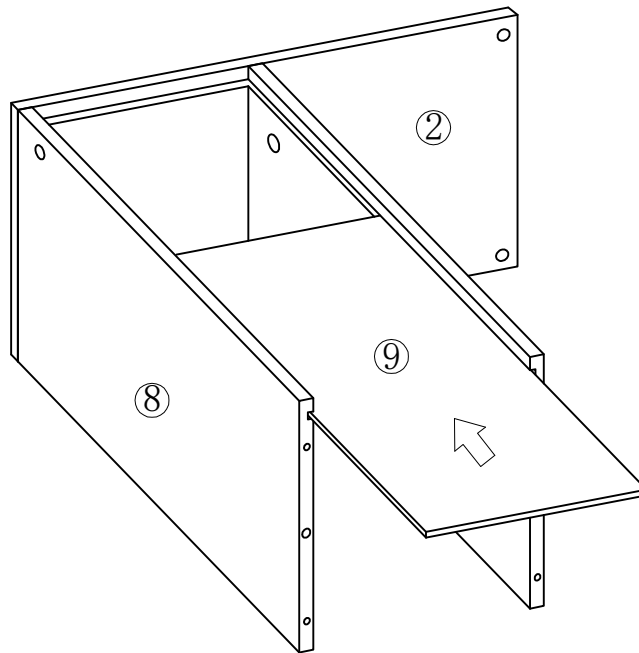
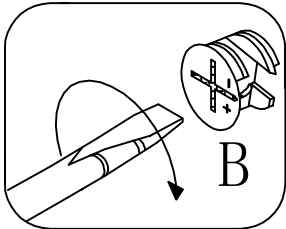
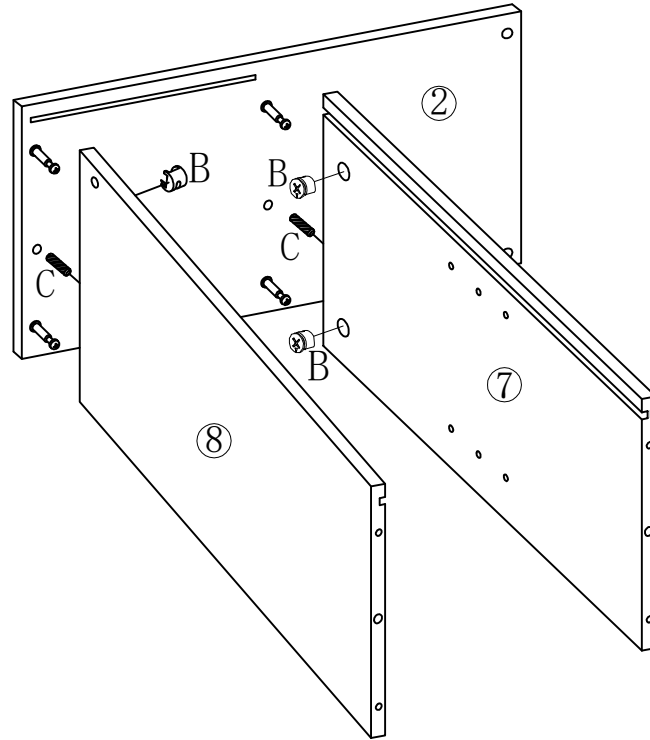
K	*2	L	*2	M	*4	N	*2	O	X1	P	X1	Q	*4	R	X1	S	X1	T	X1	U	X1
M4*18mm		L22*φ 20		φ 5*13				155*20mm		ø8*40mm		25*25*20mm		L300mm		L300mm		L300mm		L300mm	



A	×10
	
∅6*35mm	

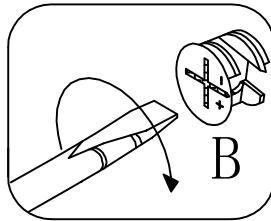
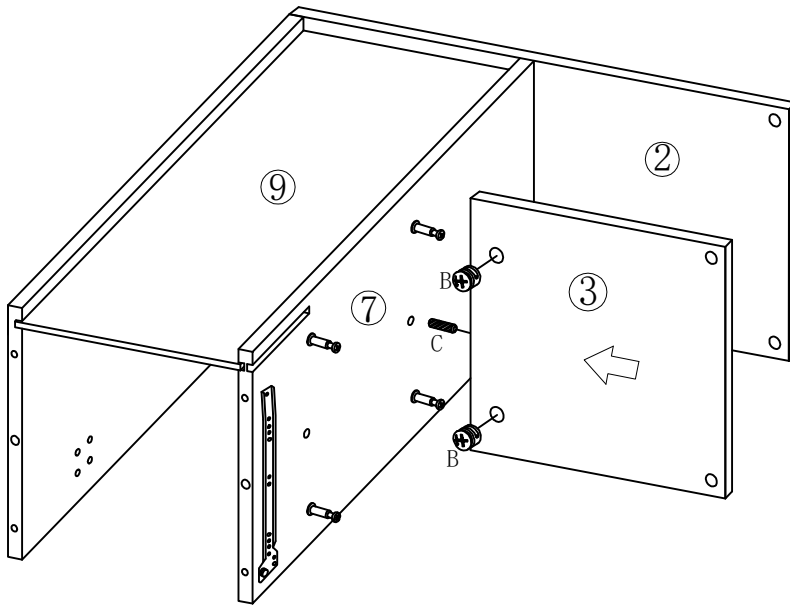




F	*4	R	×1	S	×1
					
3.5*14mm		L300mm		L300mm	

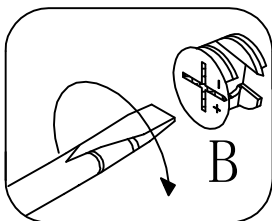
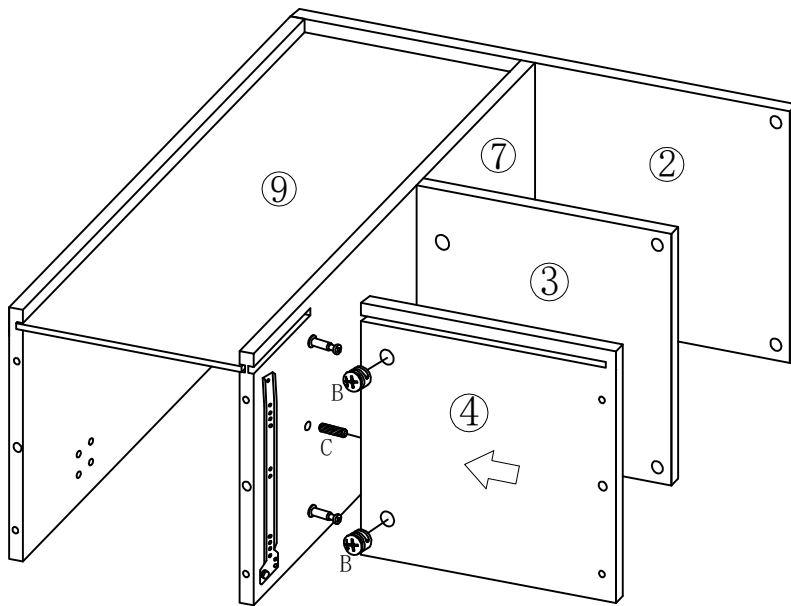
B	*4	C	*2
			
$\phi 15 \times 12$		$\phi 7.8 \times 30$	





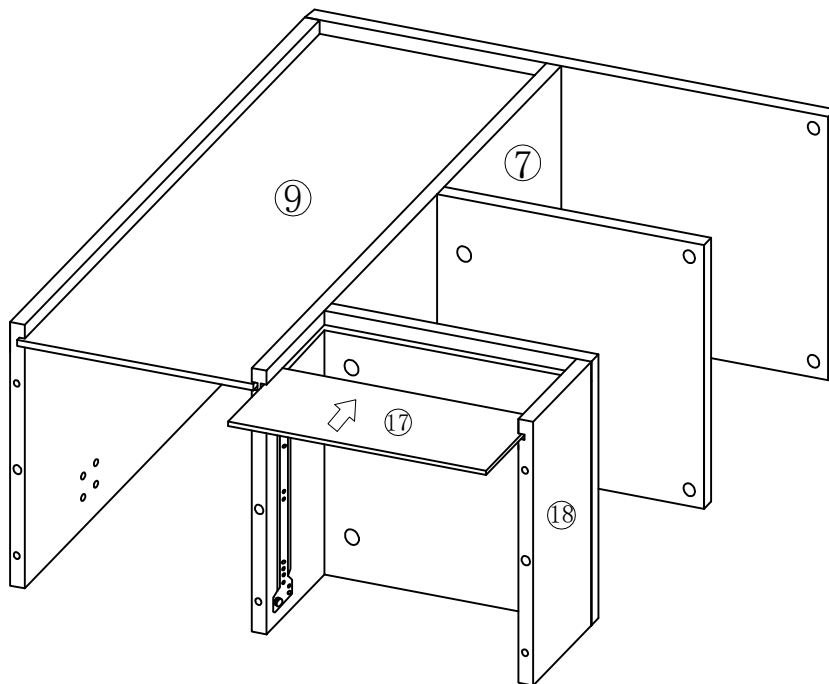
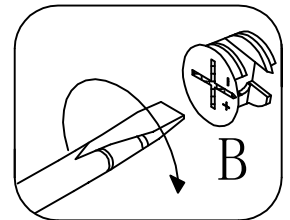
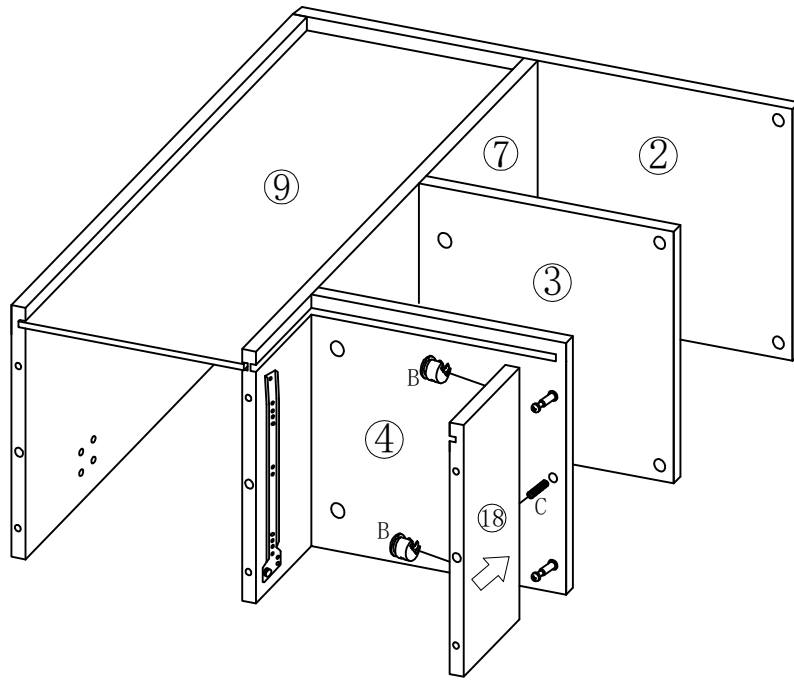
B	*2	C	*1
			
φ 15X12		φ 7.8X30	


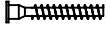



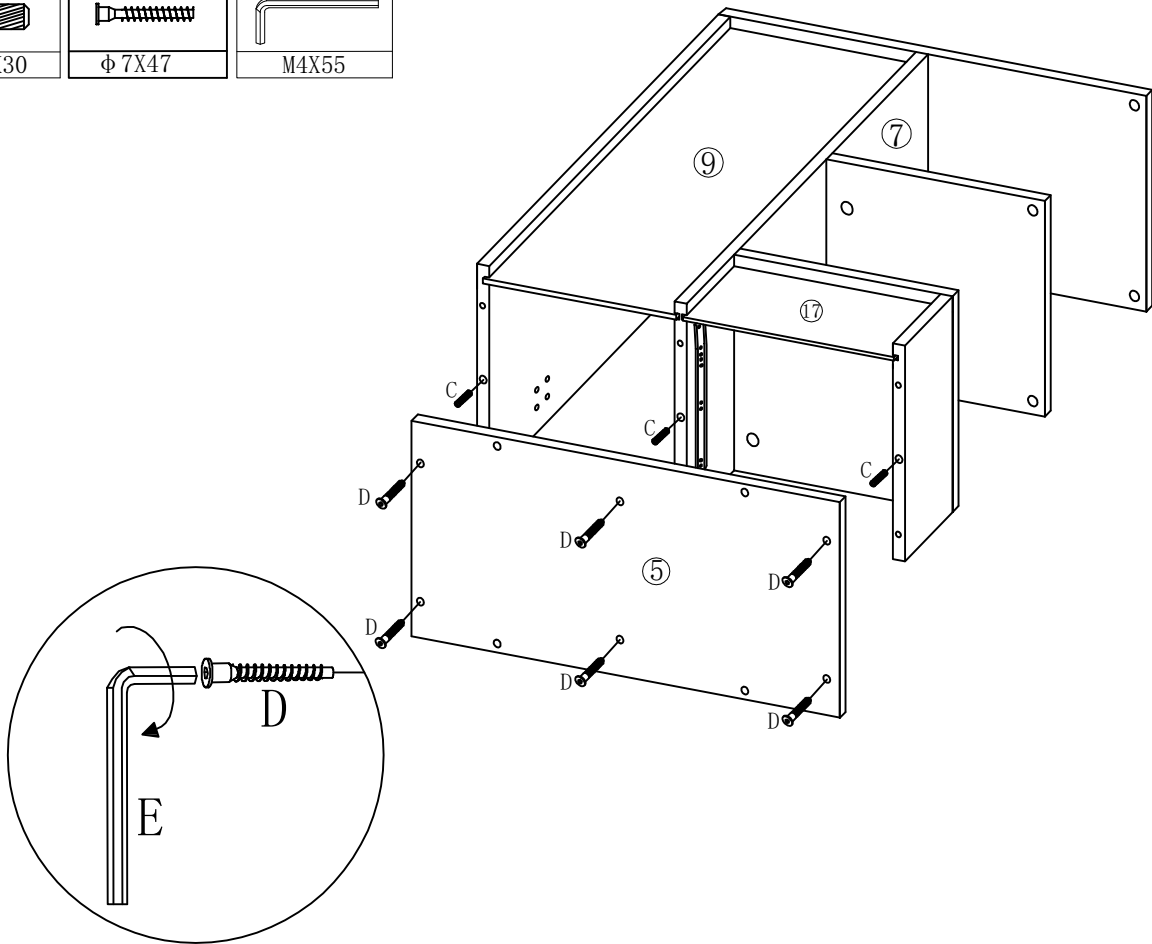
B	*2	C	*1
			
φ 15X12		φ 7.8X30	

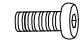


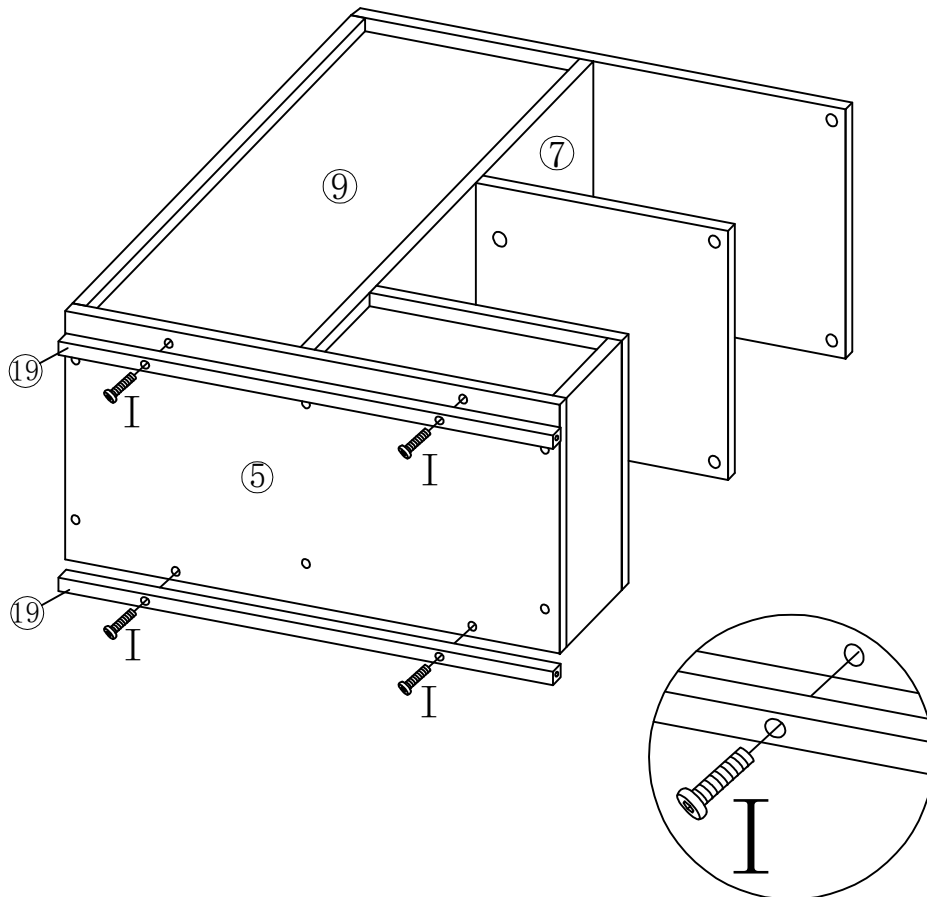
B	*2	C	*1
			
φ 15X12		φ 7.8X30	







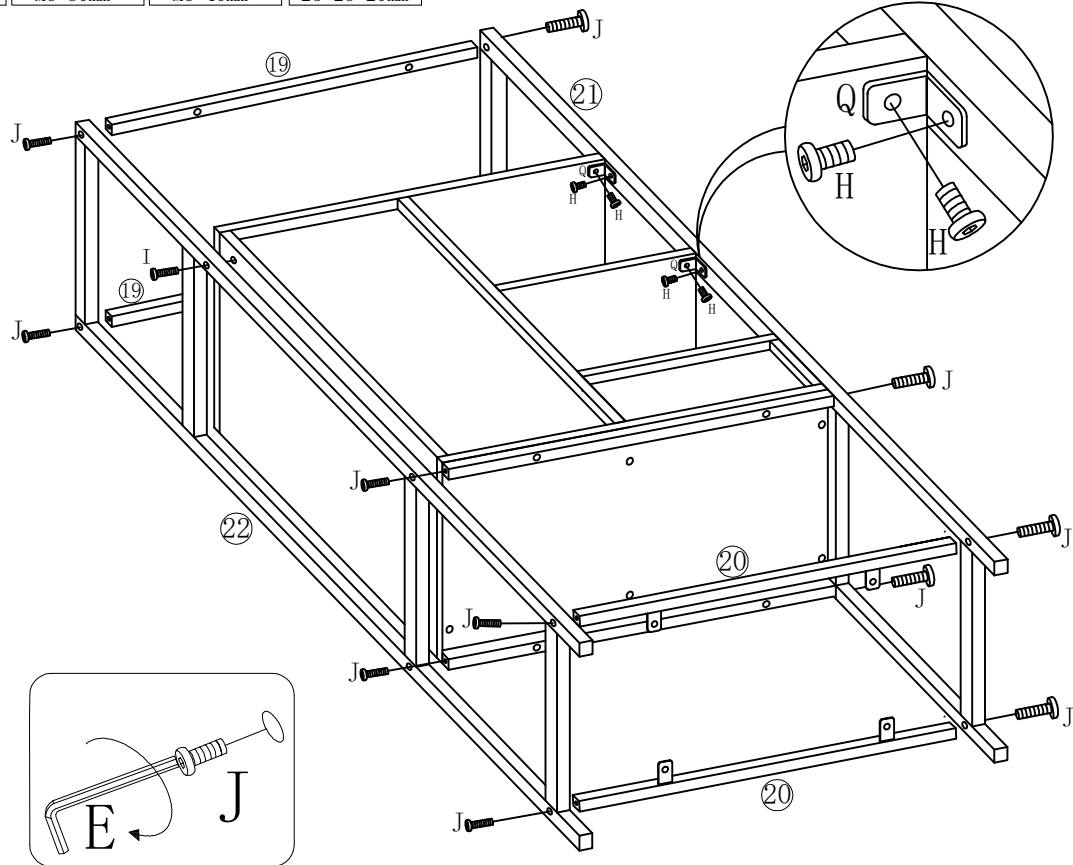
C	*3	D	X6	E	*1
					
Φ 7.8X30		Φ 7X47		M4X55	

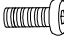


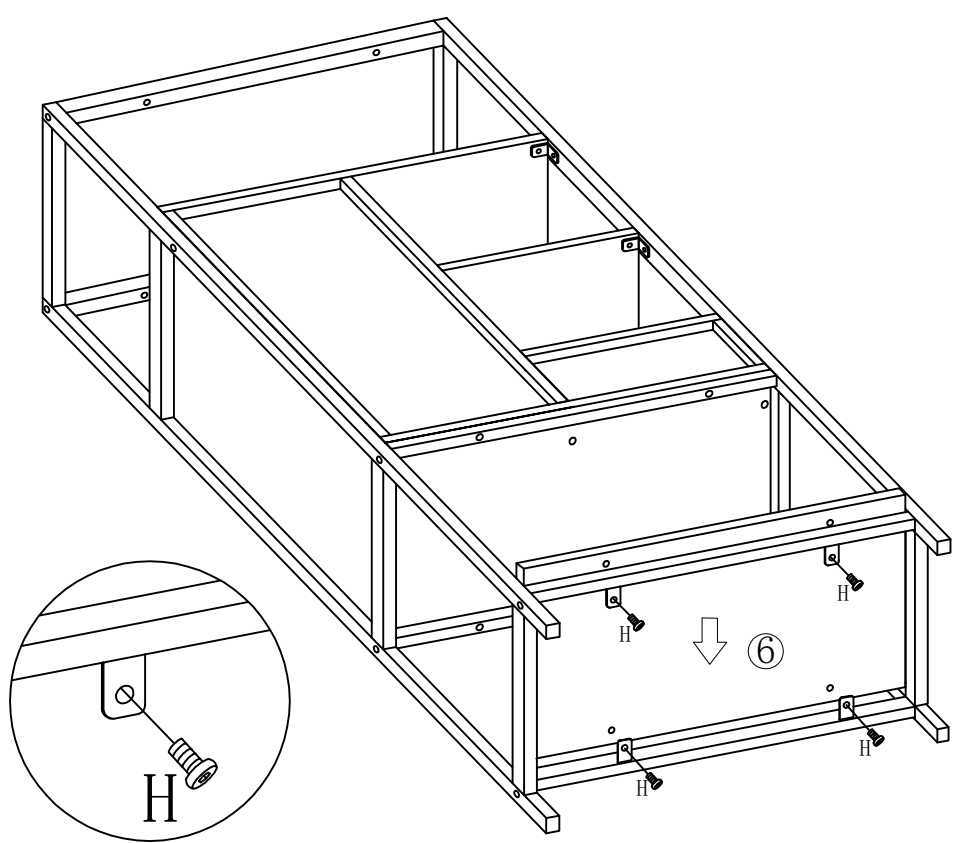
I	*4
	
M6*30mm	

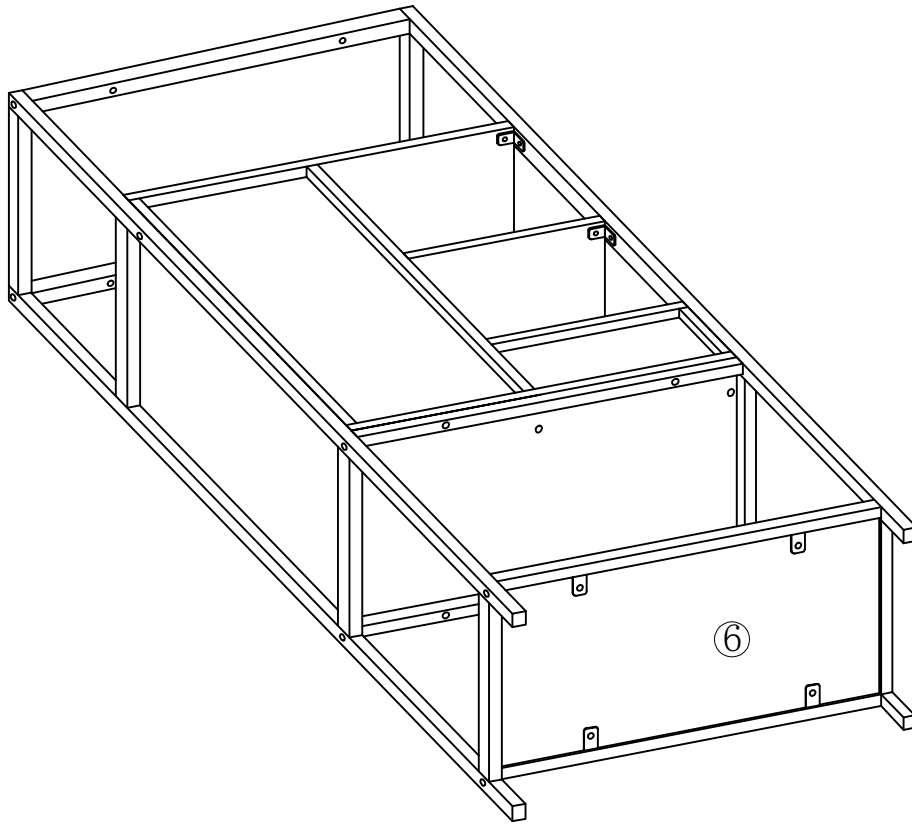





H	*8	I	*1	J	*12	Q	*4
							
M6*12mm		M6*30mm		M6*40mm		25*25*20mm	

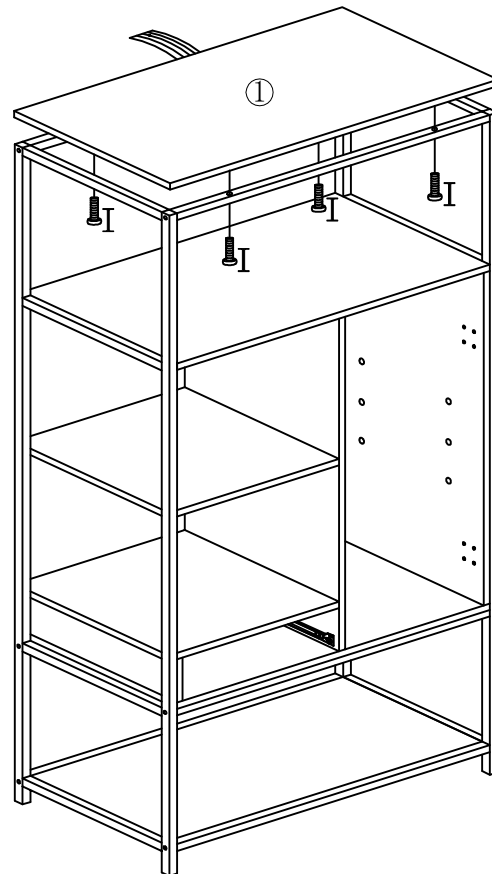
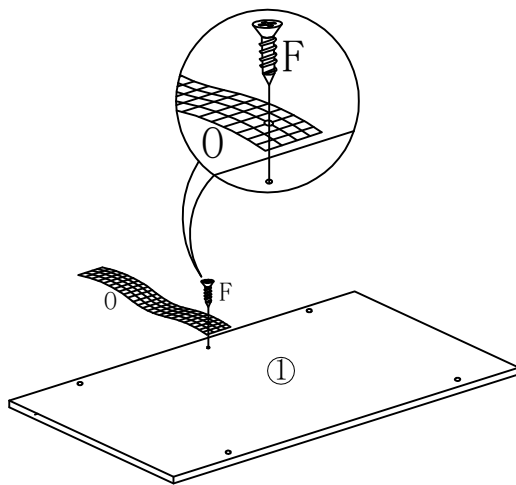


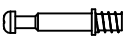

H	*4
	
M6*12mm	

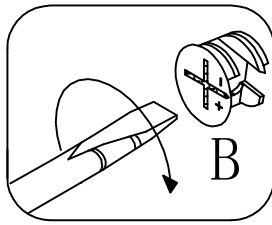
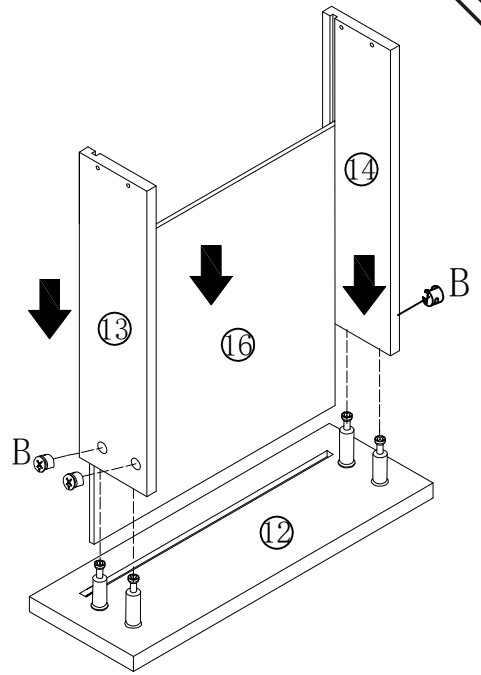
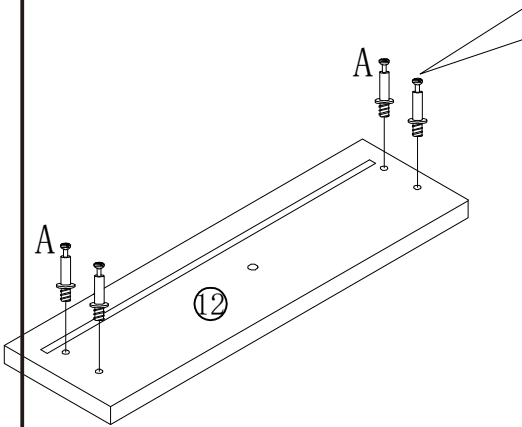
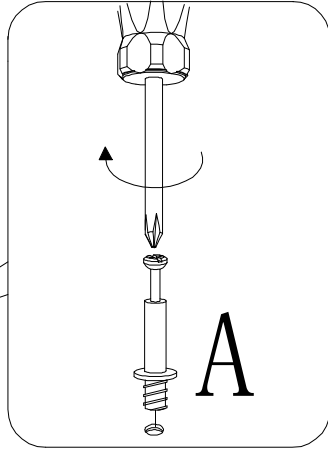



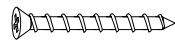




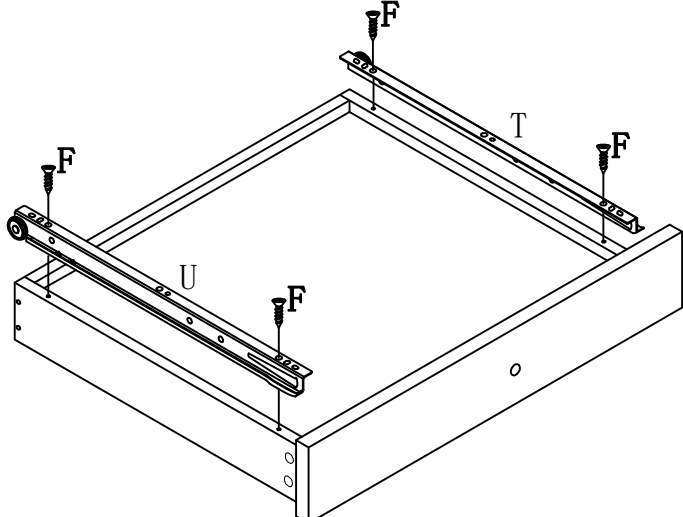
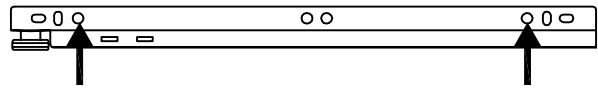
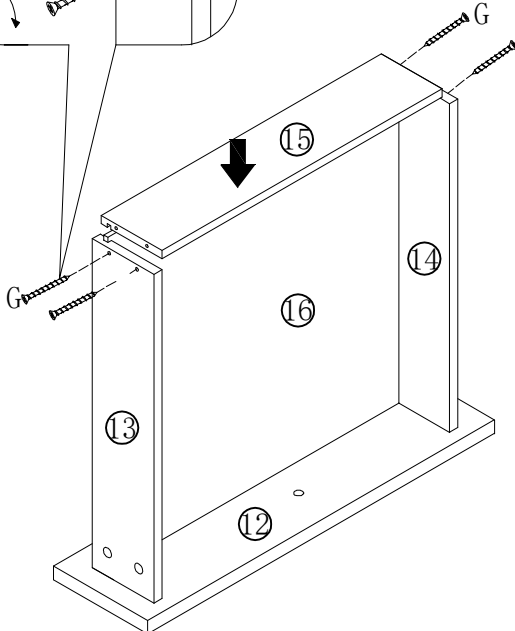
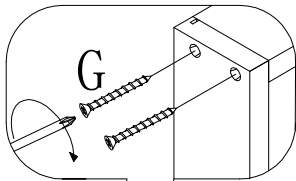
F	*1	I	*4	O	×1
					
3.5*14mm		M6*30mm		155*20mm	





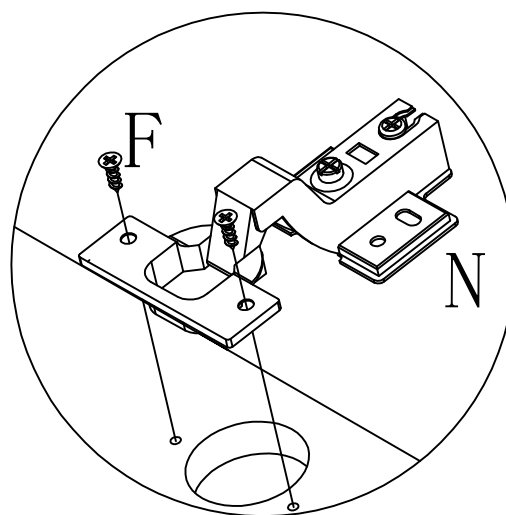
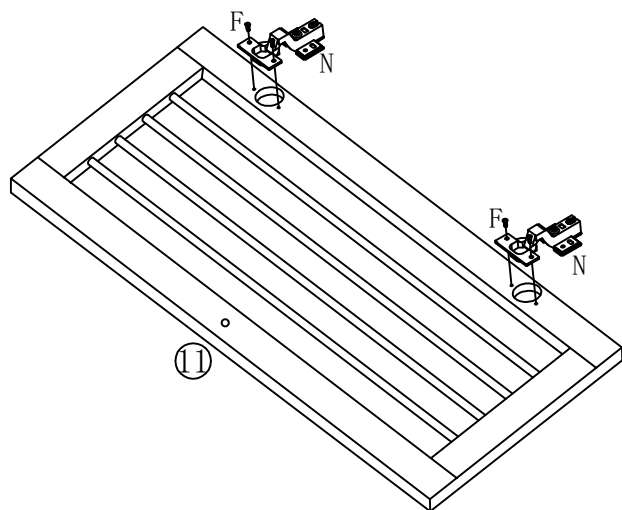
A	X4	B	X4
			
φ 6X35		φ 15X12	





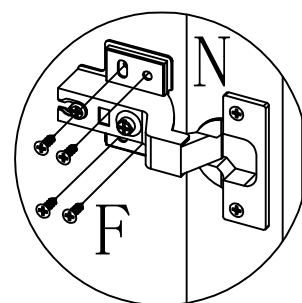
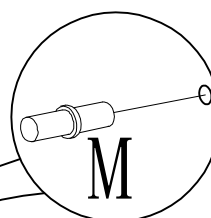
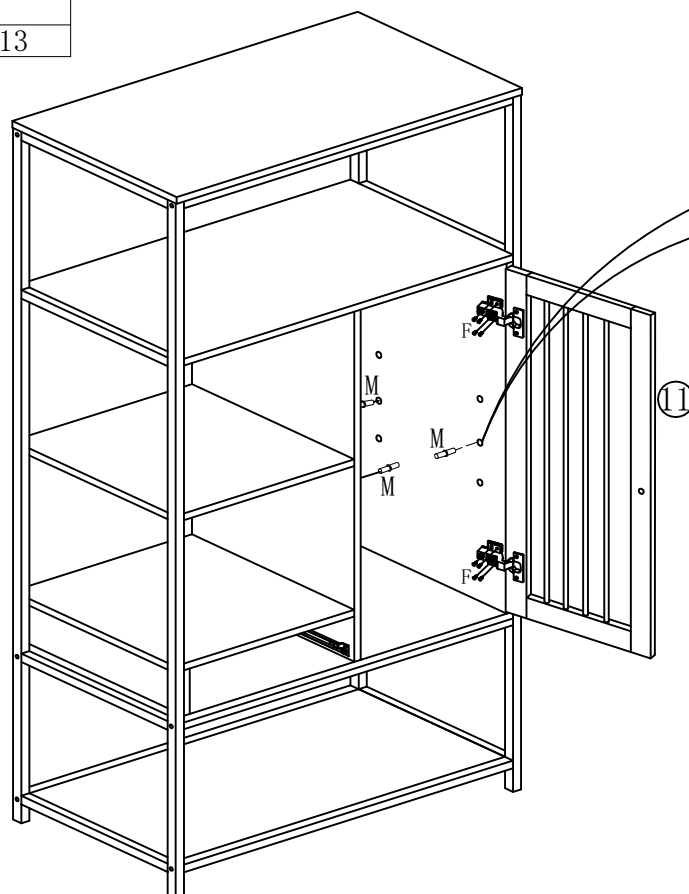
F	*4	G	*4	T	×1	U	×1
							
3.5*14mm		4*35mm		L300mm		L300mm	

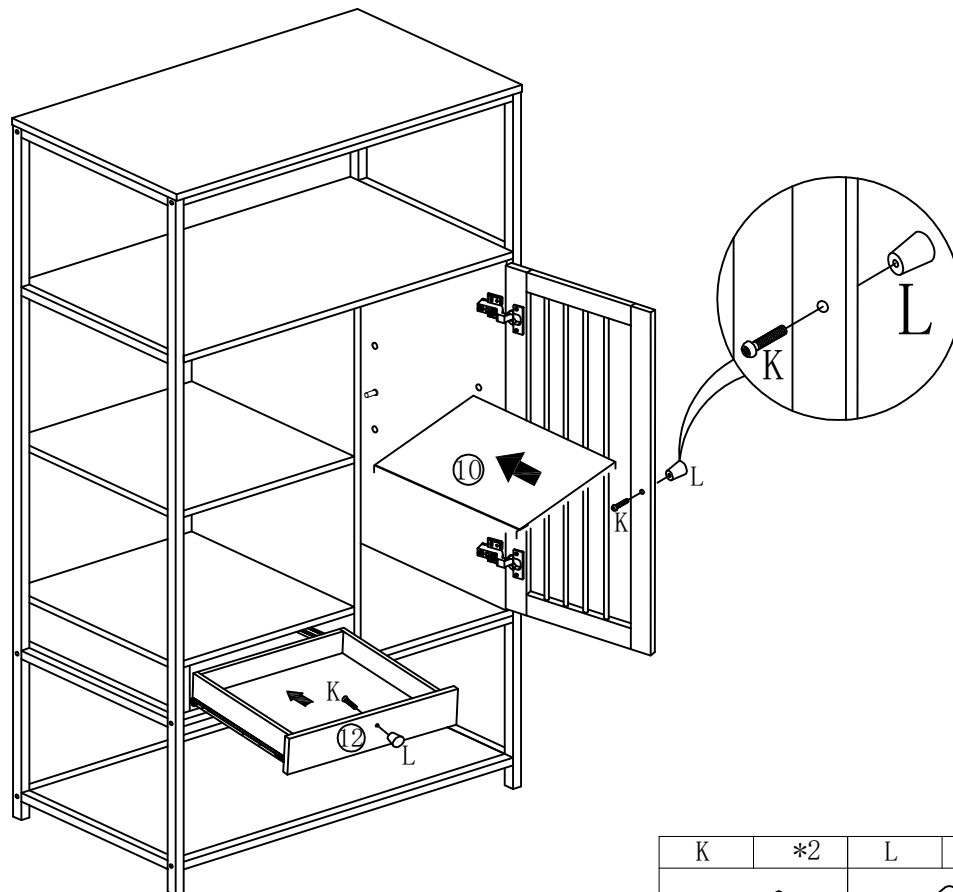




N	*2	F	*4
			
		3.5*14mm	

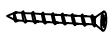



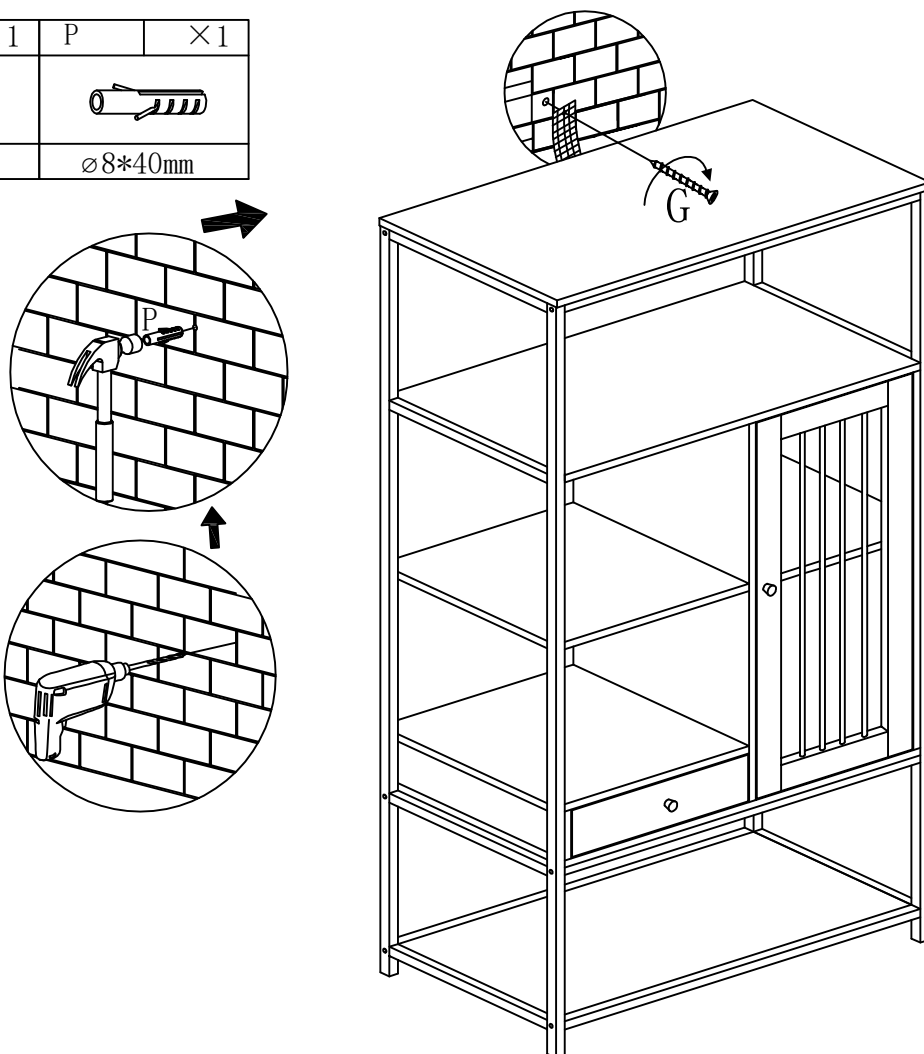
F	*8	M	*4
			
3.5*14mm		Φ5*13	





K	*2	L	*2
			
M4*18mm		L22*φ20	

G	×1	P	×1
			
ø4*35mm		ø8*40mm	



US



001-877-644-9366
customerservice@aosom.com

CA



001-855-537-6088
customerservice@aosom.ca

UK



0044-800-240-4004
enquiries@mhstar.co.uk

DE



0049-(0)40-88307530
service@aosom.de

FR



0033-1-84166106
contact@aosom.fr

ES



0034-931294512
atencioncliente@aosom.es

IT



0039-0249471447
clienti@aosom.it