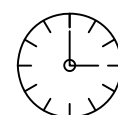
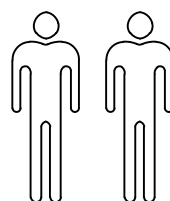
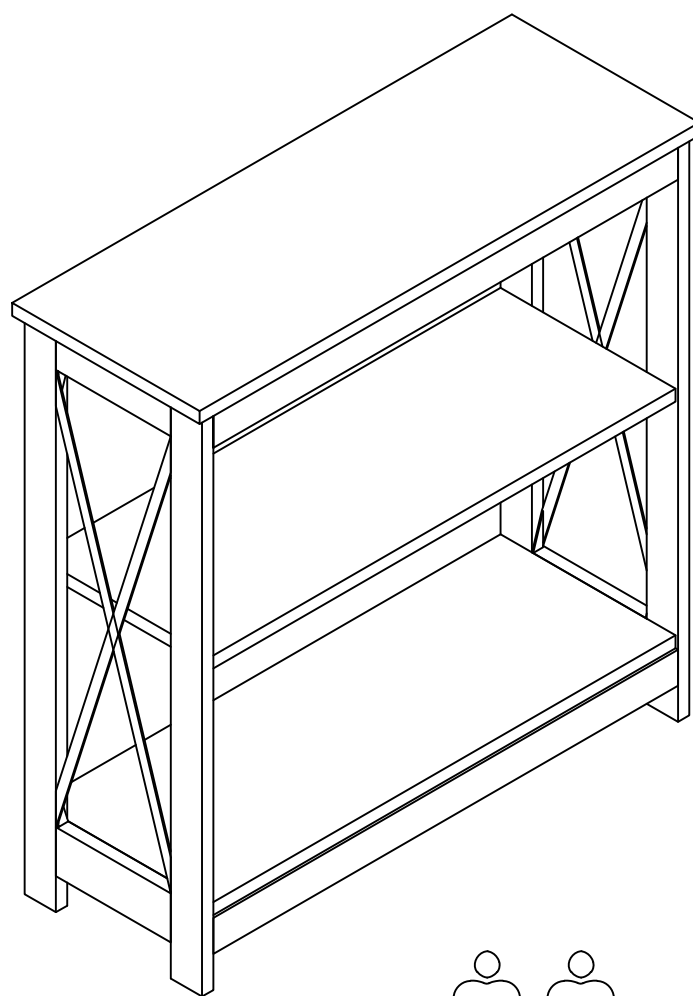




INcqd008_GL

836-315_836-315V80

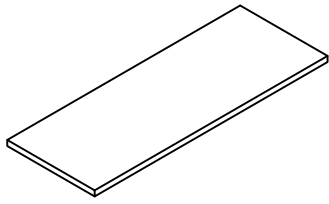


2Hours

READ AND SAVE THIS INSTRUCTION FOR FUTURE USE

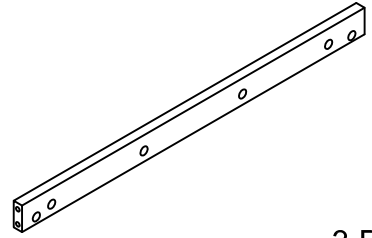
ASSEMBLY INSTRUCTION

1



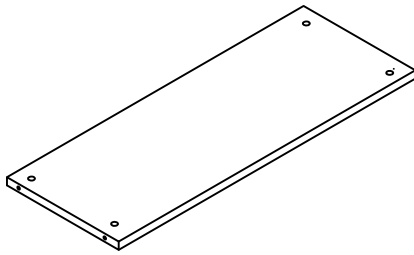
1 PC

2



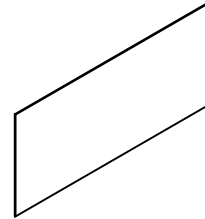
3 PCS

3



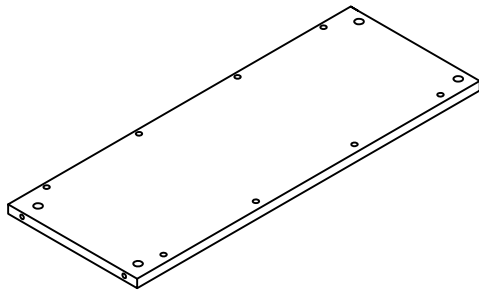
1 PC

4



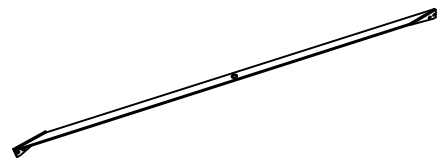
2 PCS

5



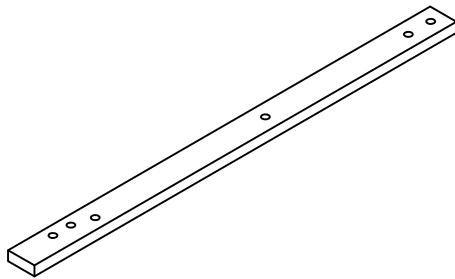
1 PC

6



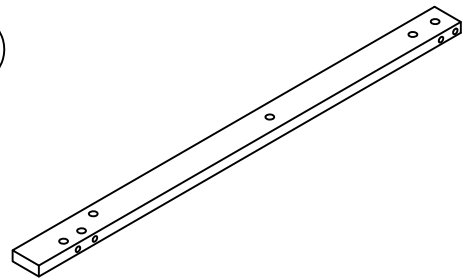
4 PCS

7



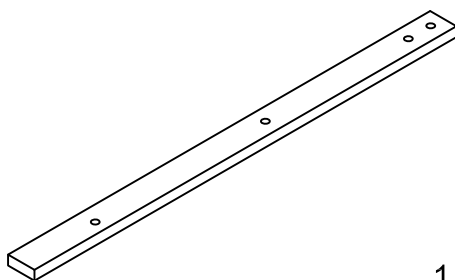
1 PC

8



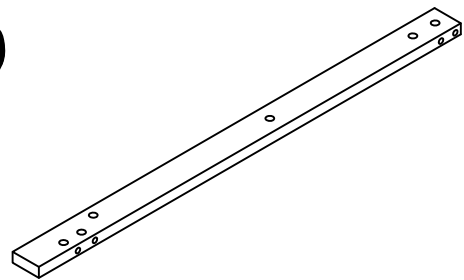
1 PC

9



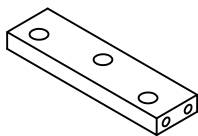
1 PC

10



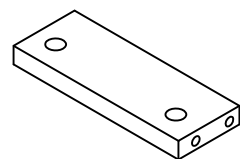
1 PC

11

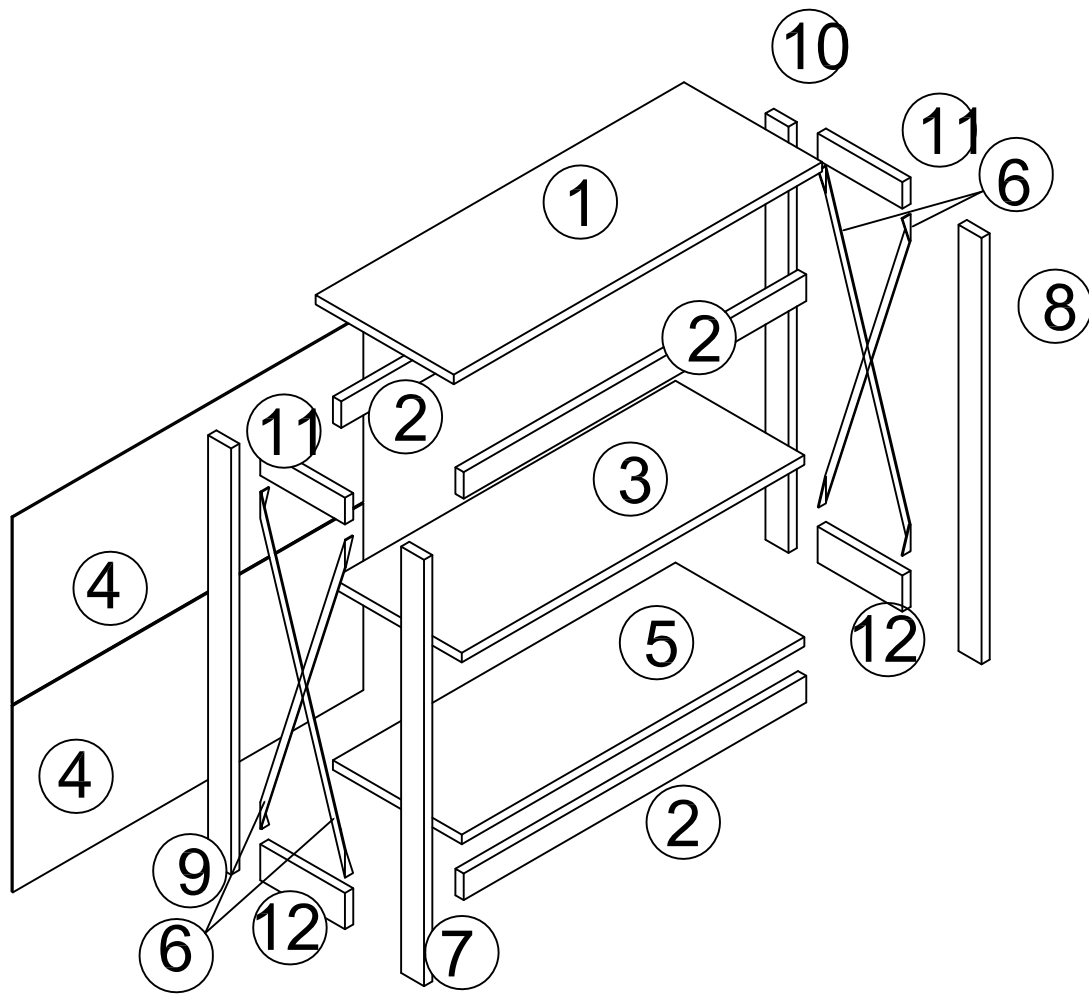


2 PCS






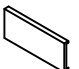




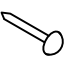
12



2 PCS



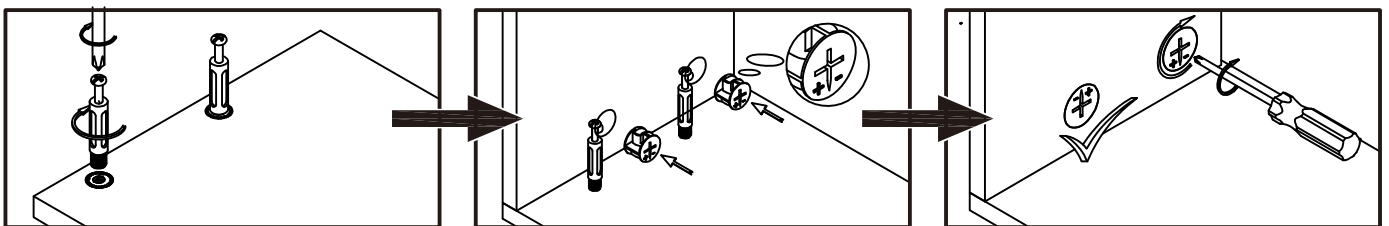
HARDWARE LIST

A  M5X45 34 PCS	B  34 PCS	C  Ø8X30 14 PCS
D  STICKER N PCS	I  50X15 4 PCS	J  50X18 4 PCS
E  2 PCS	F  2 PCS	G  2 PCS
H  4X14 8 PCS	K  N PCS	

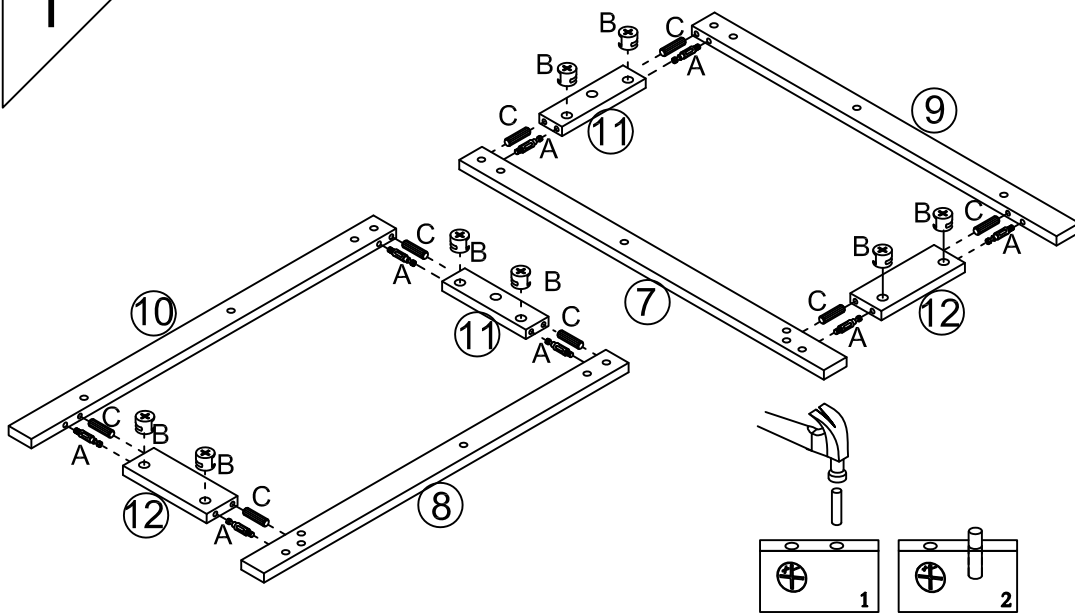
5X45mm bolt installation as below



NOT INCLUDED

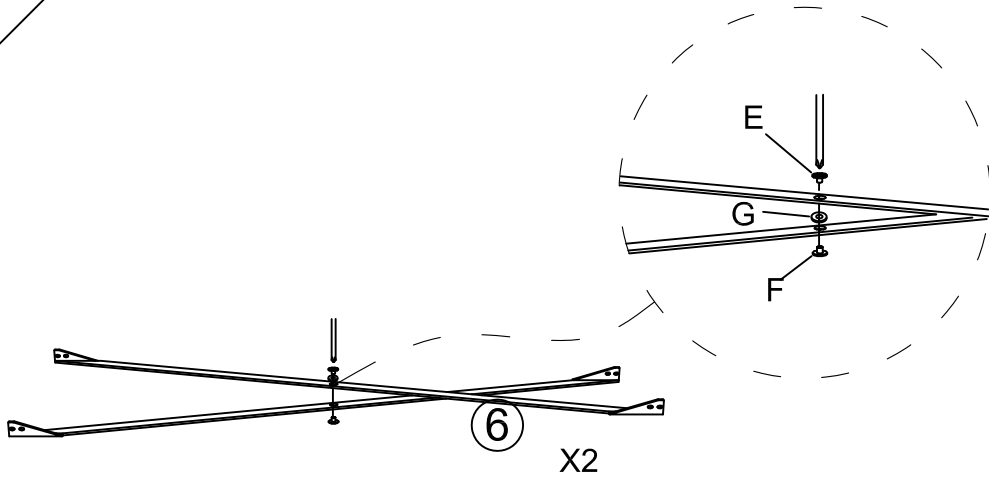


1



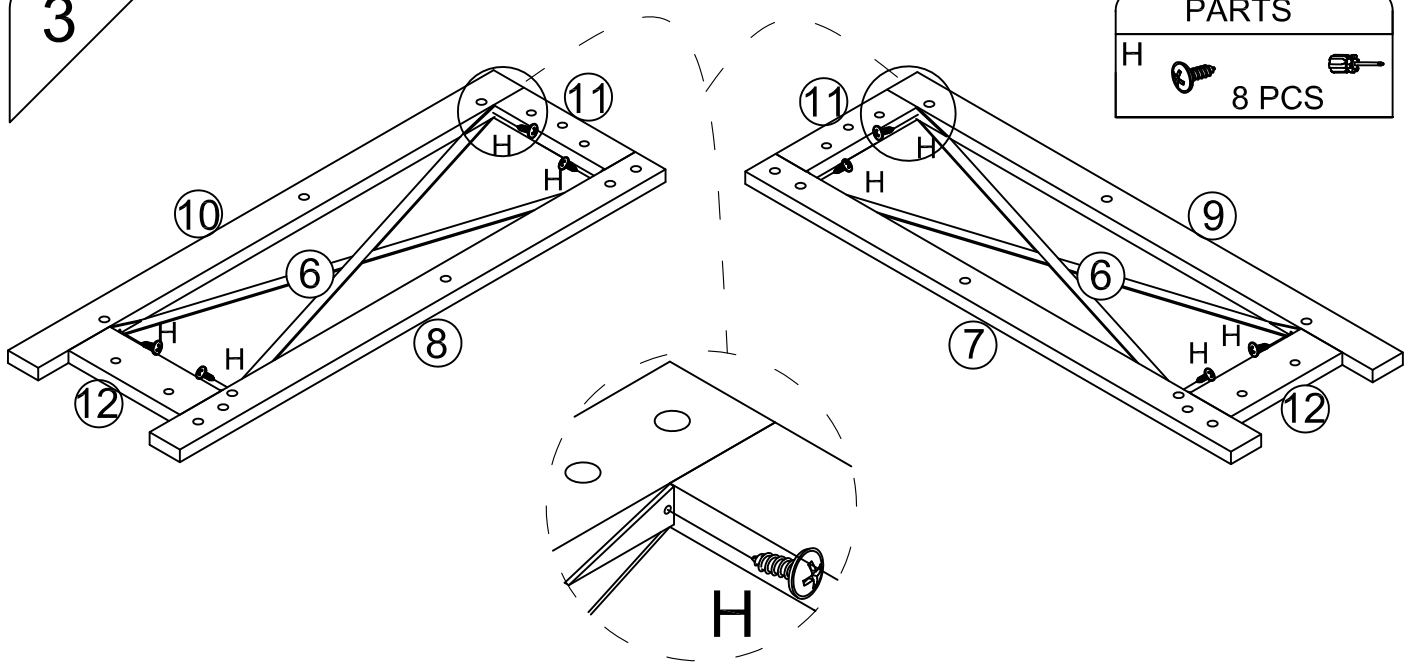
PARTS	
A	M5X45 8 PCS
B	8 PCS
C	Ø8X30 8 PCS

2



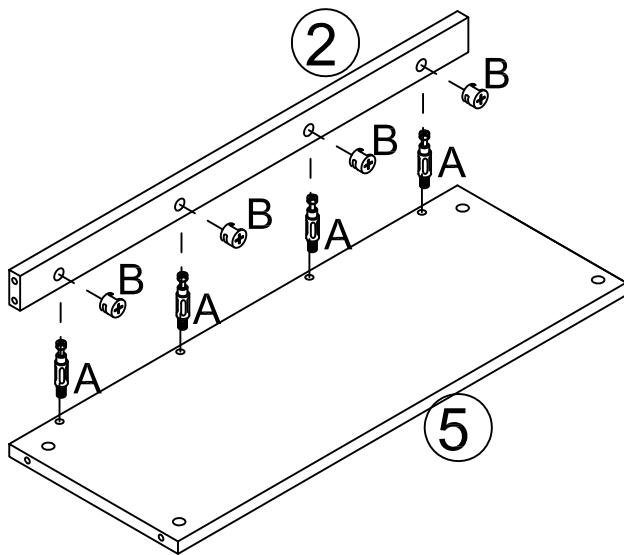
PARTS	
E	2 PCS
F	2 PCS
G	2 PCS

3



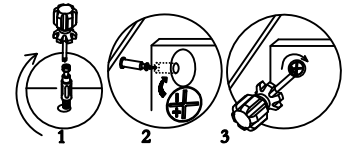
PARTS	
H	8 PCS

4

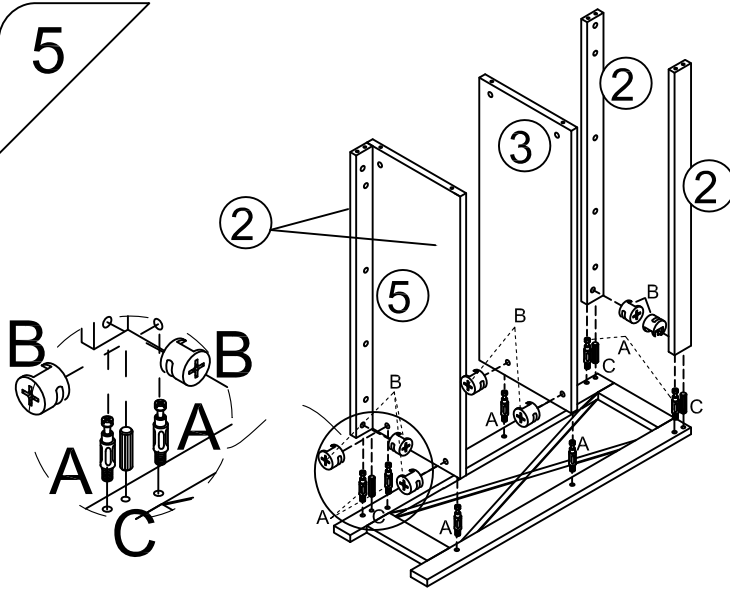


PARTS

A	M5X45		4 PCS
B			4 PCS

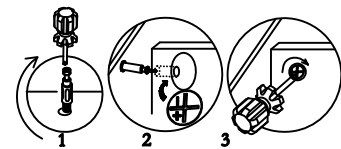
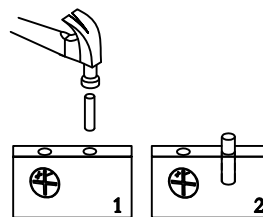


5

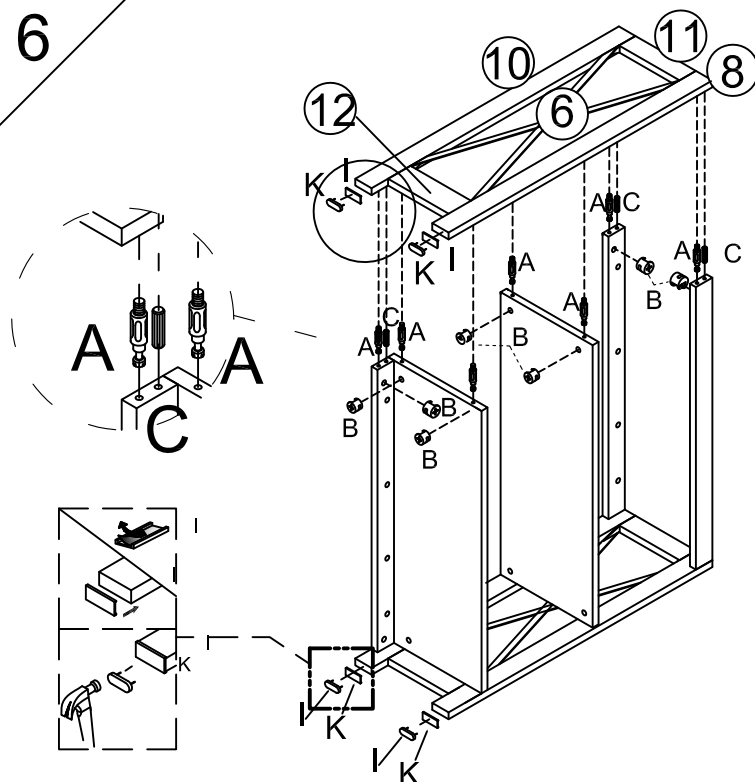


PARTS

A	M5X45		7 PCS
B			7 PCS
C	Ø8X30		3 PCS

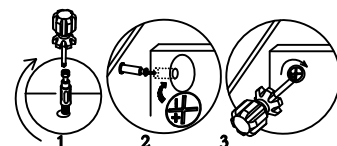
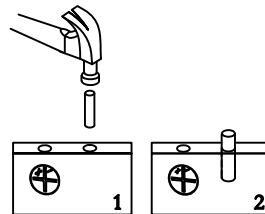


6

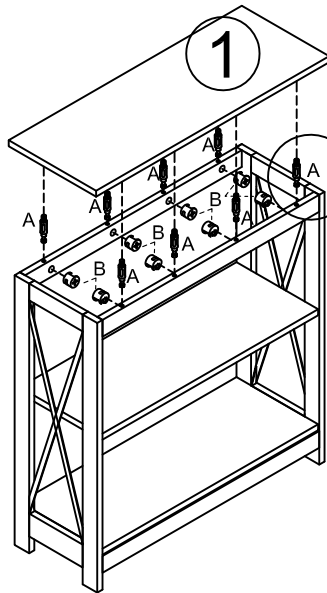


PARTS

A	M5X45		7 PCS
B			7 PCS
C	Ø8X30		3 PCS
I	50X15		4 PCS
J	50X18		4 PCS



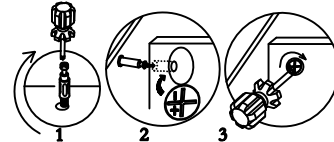
7



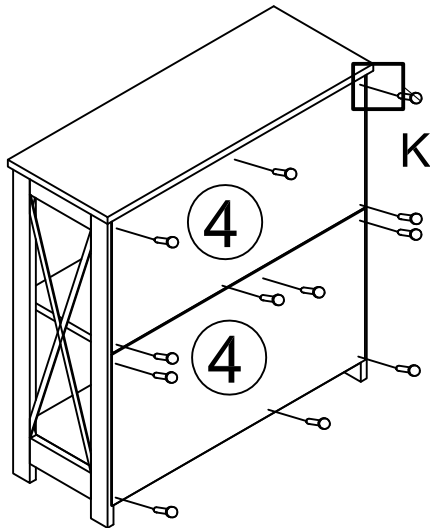
PARTS

A M5X45
8 PCS

B
8 PCS

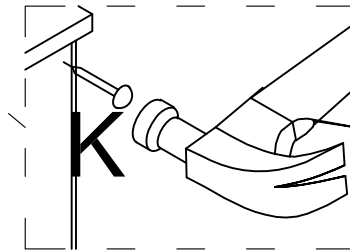


8

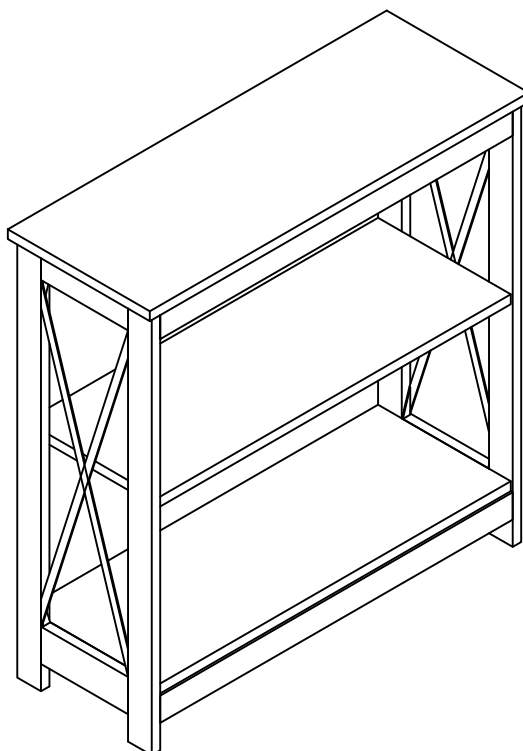


PARTS

K
N PCS



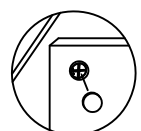
9



PARTS

D STICKER
N PCS

You may skip this step, the sticker "D" is for covering the screw holes.





US

001-877-644-9366
customerservice@aosom.com



CA

001-855-537-6088
customerservice@aosom.ca



UK

0044-800-240-4004
enquiries@mhstar.co.uk



DE

0049-(0)40-88307530
service@aosom.de



FR

0033-1-84166106
contact@aosom.fr



ES

0034-931294512
atencioncliente@aosom.es



IT

0039-0249471447
clienti@aosom.it

Aosom