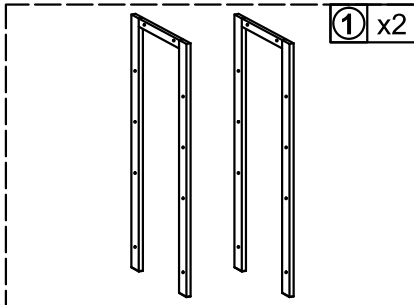


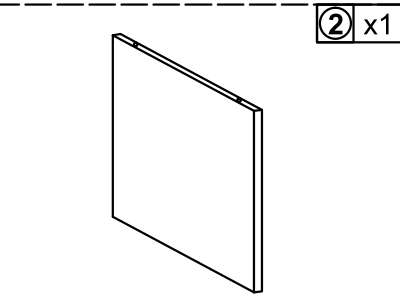
READ AND SAVE THIS INSTRUCTION FOR FUTURE USE

ASSEMBLY INSTRUCTION

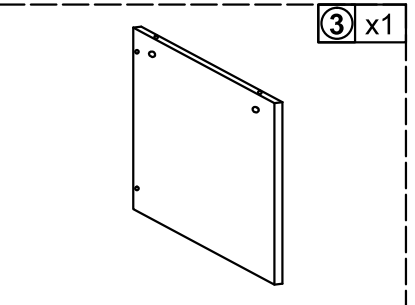
PART LIST



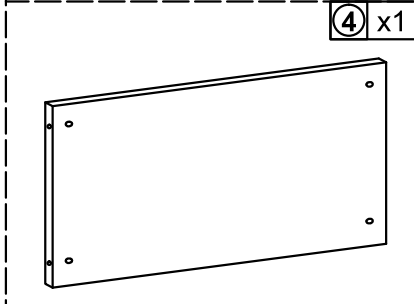
① x2



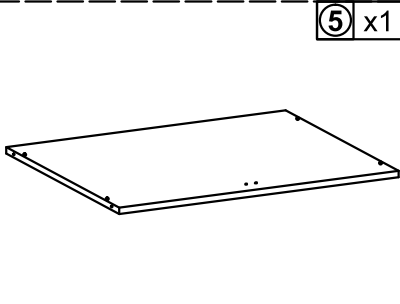
② x1



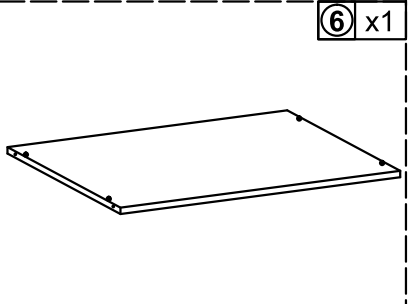
③ x1



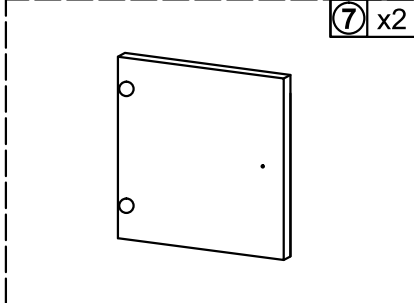
④ x1



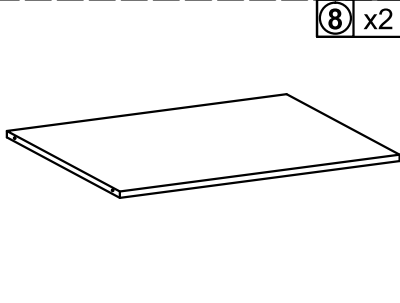
⑤ x1



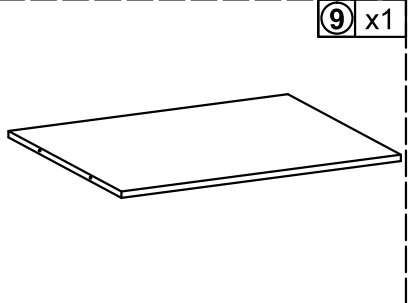
⑥ x1



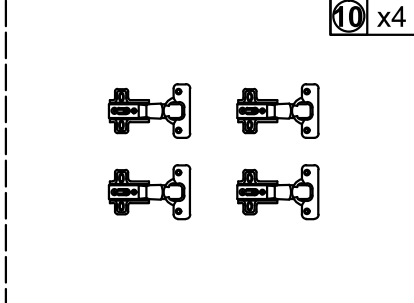
⑦ x2



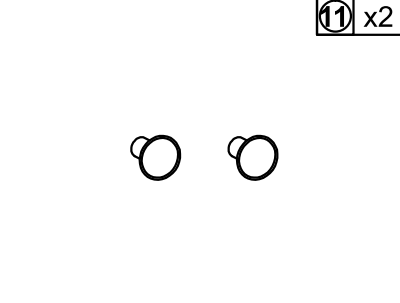
⑧ x2



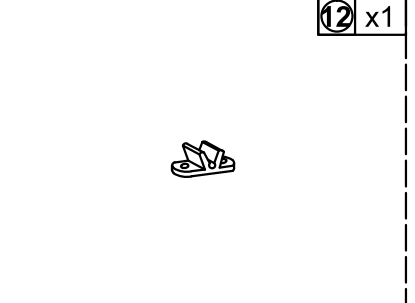
⑨ x1



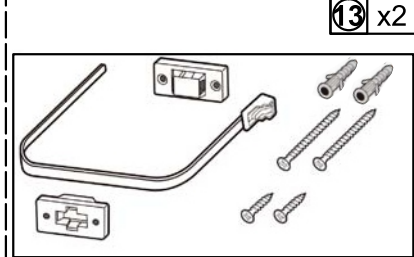
⑩ x4



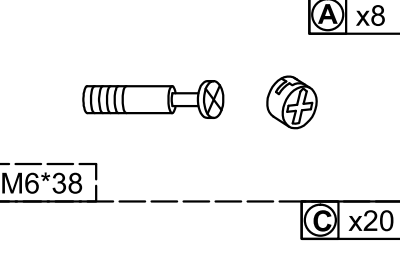
⑪ x2



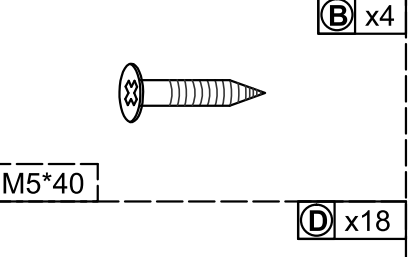
⑫ x1



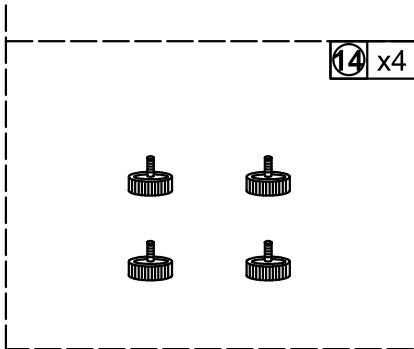
⑬ x2



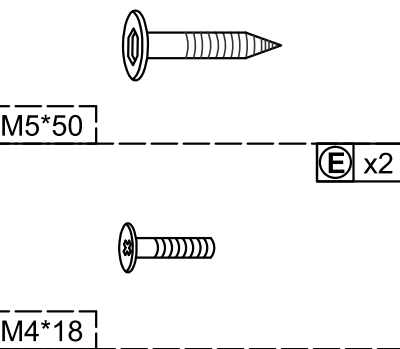
Ⓐ x8



Ⓑ x4

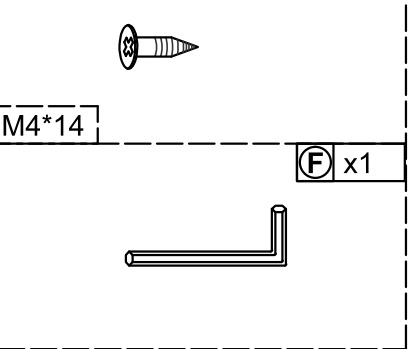


⑭ x4



M6*38

Ⓒ x20



M5*40

Ⓓ x18

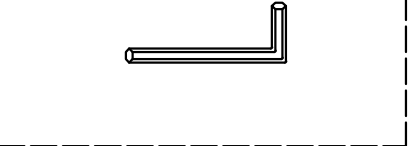
M5*50

Ⓔ x2

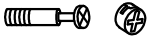
M4*14

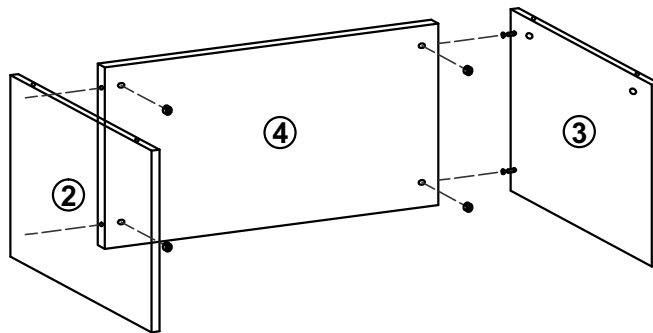
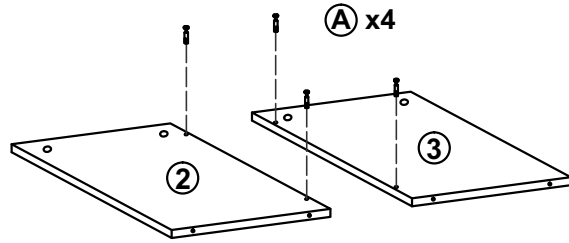
Ⓕ x1

M4*18

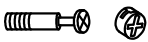



01


(A) x4

 M6*38

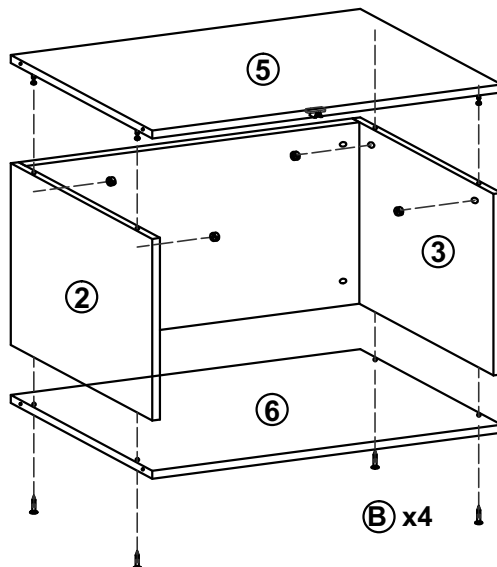
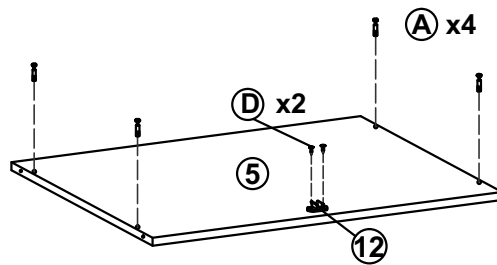


02

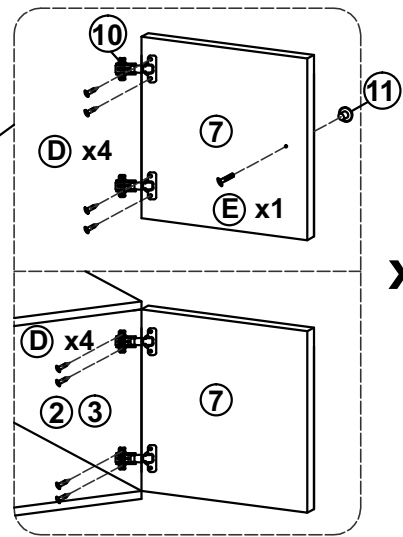
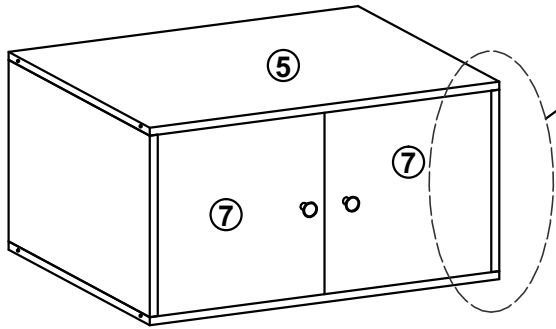
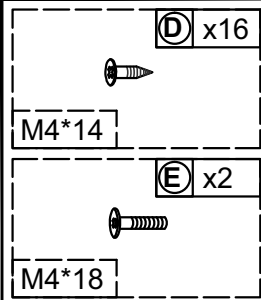
(A) x4

 M6*38

(B) x4

 M5*40

(D) x2

 M4*14

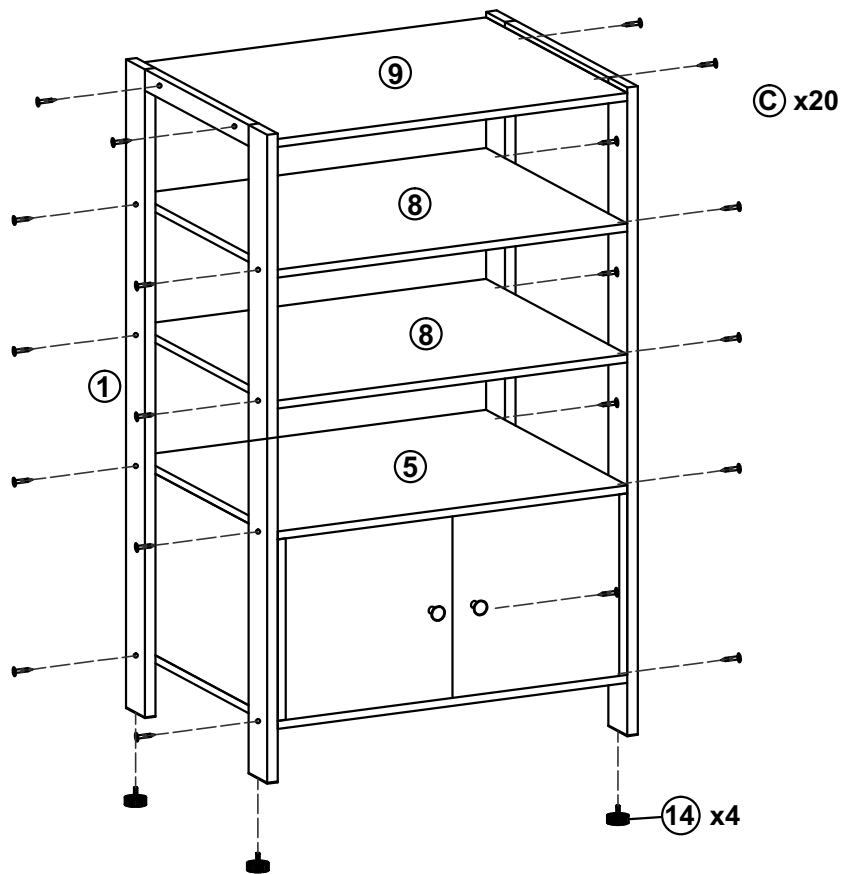
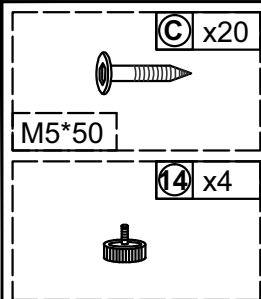


03



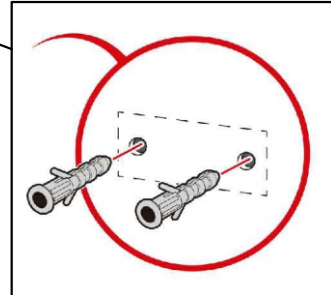
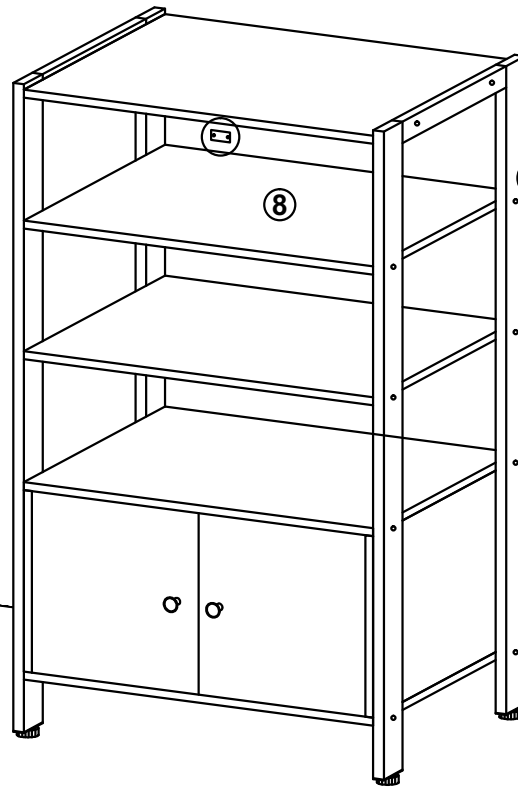
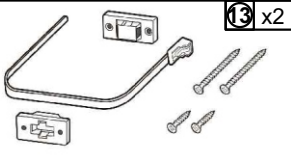
x2

04

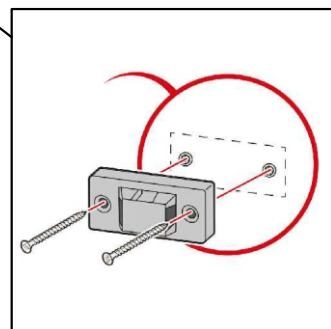
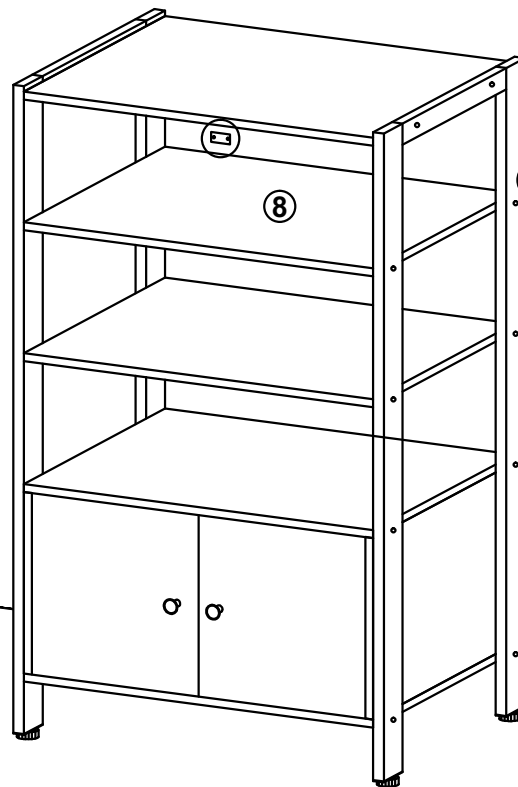


SECURING TO WALL

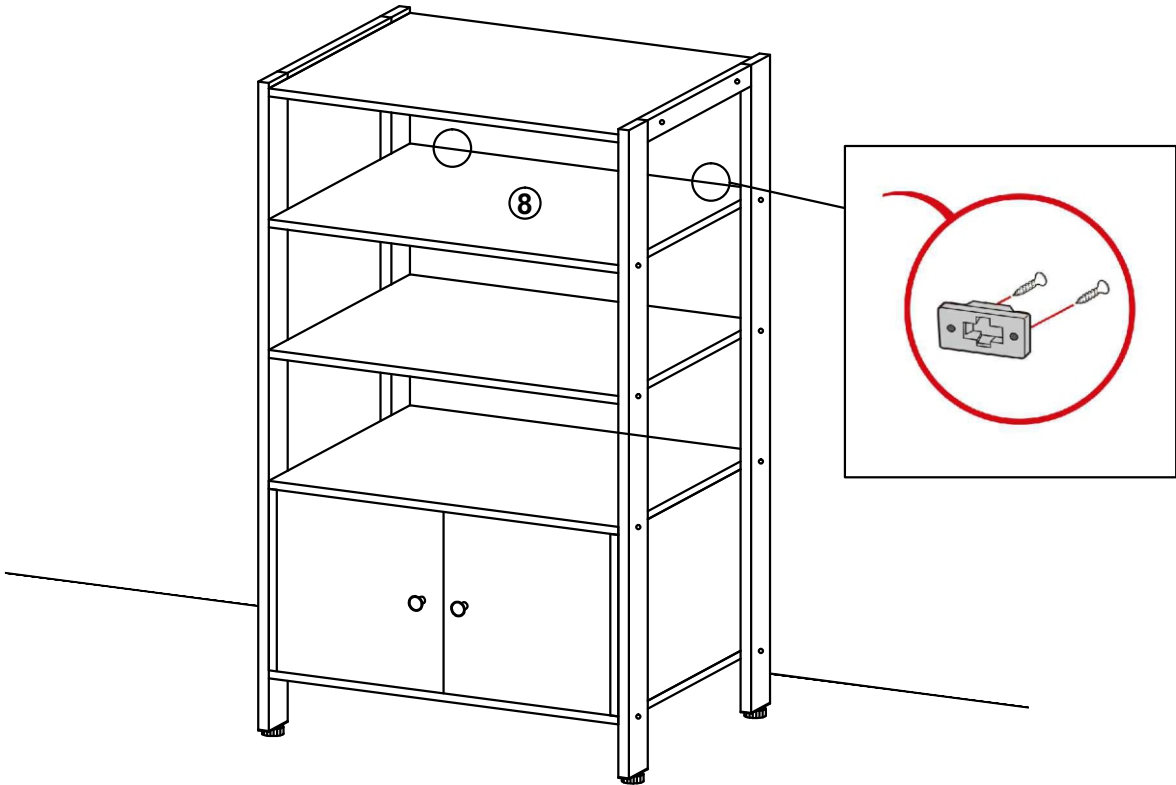
01



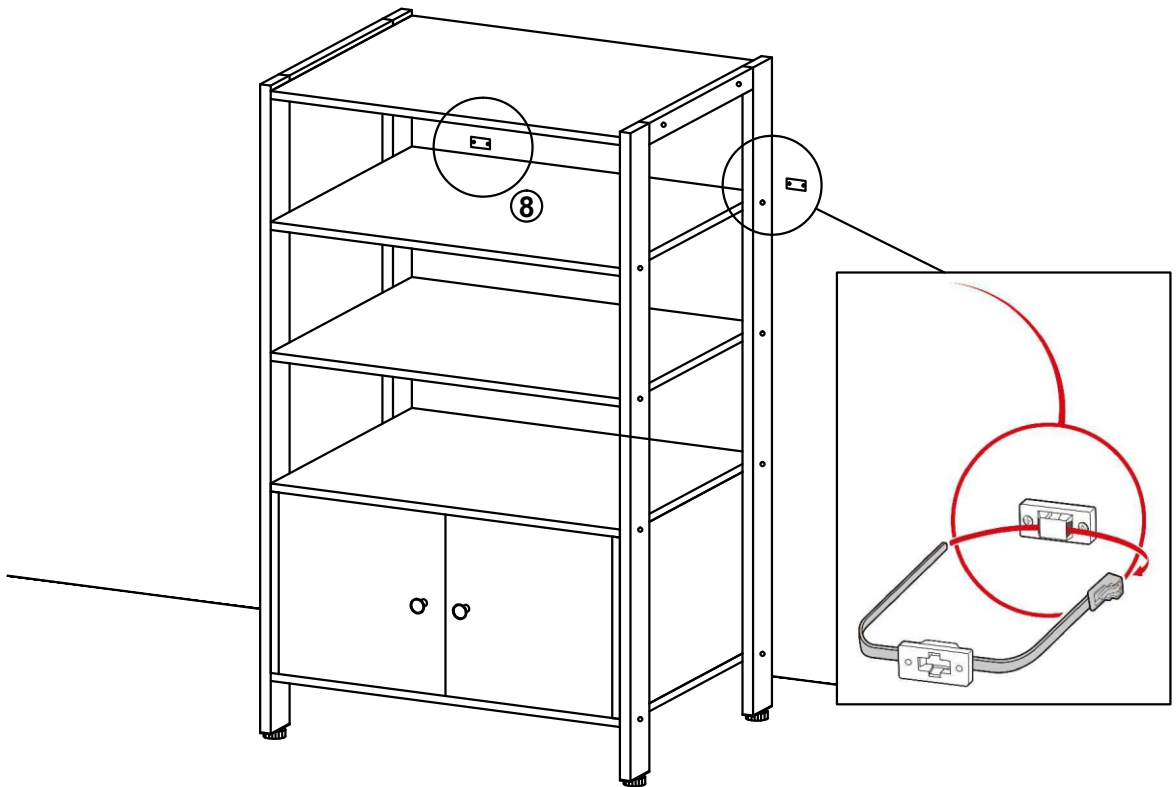
02



03



04



US



001-877-644-9366
customerservice@aosom.com

CA



001-855-537-6088
customerservice@aosom.ca

UK



0044-800-240-4004
enquiries@mhstar.co.uk

DE



0049-(0)40-88307530
service@aosom.de

FR



0033-1-84166106
contact@aosom.fr

ES



0034-931294512
atencioncliente@aosom.es

IT



0039-0249471447
clienti@aosom.it