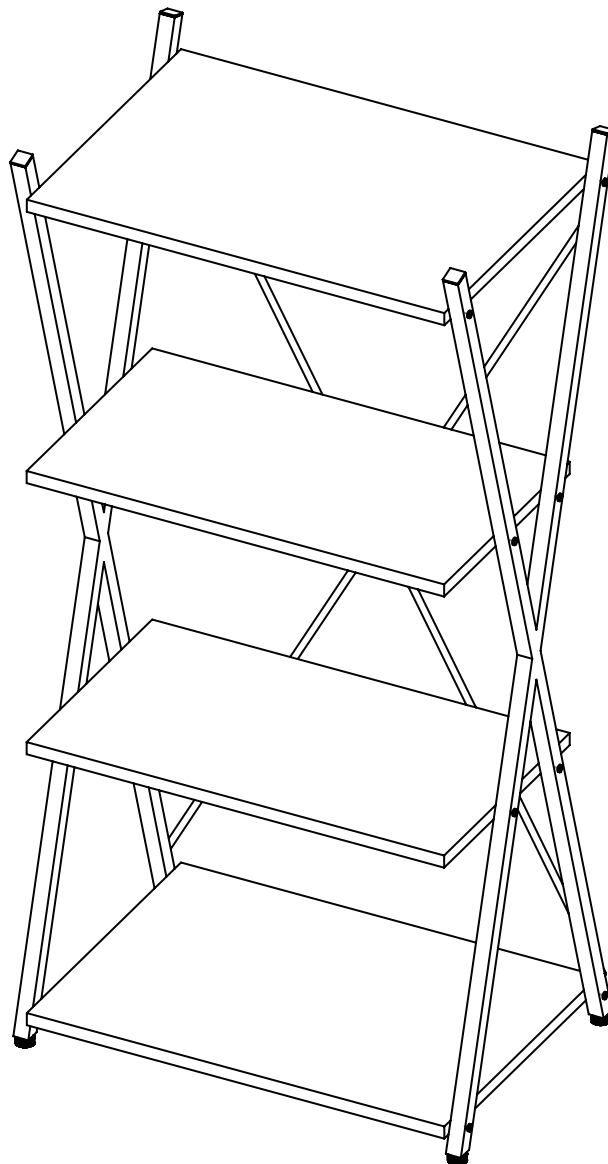




INcqd030_GL

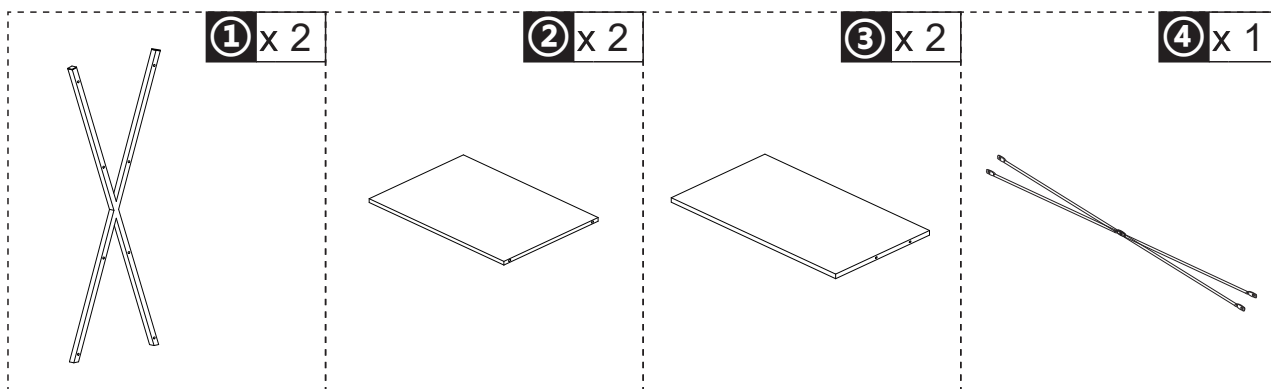
836-386



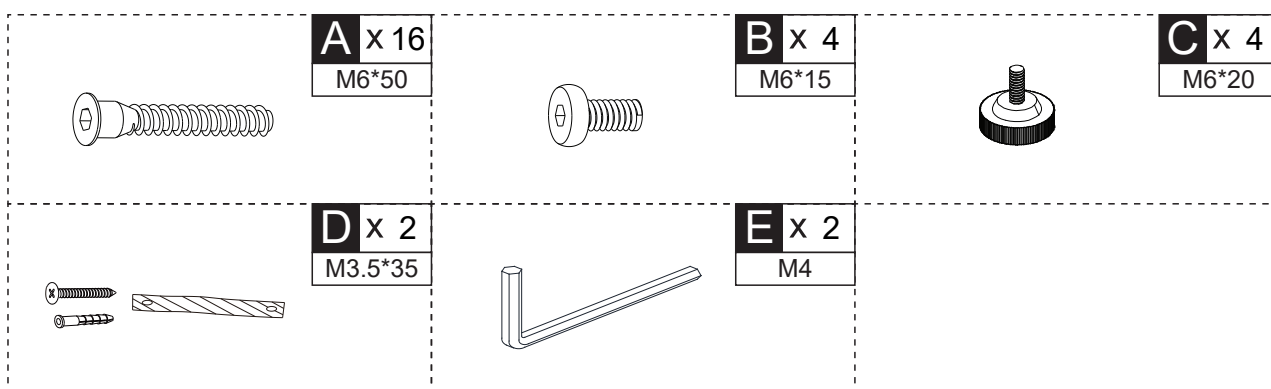
IMPORTANT, RETAIN FOR FUTURE REFERENCE: READ CAREFULLY

ASSEMBLY INSTRUCTION

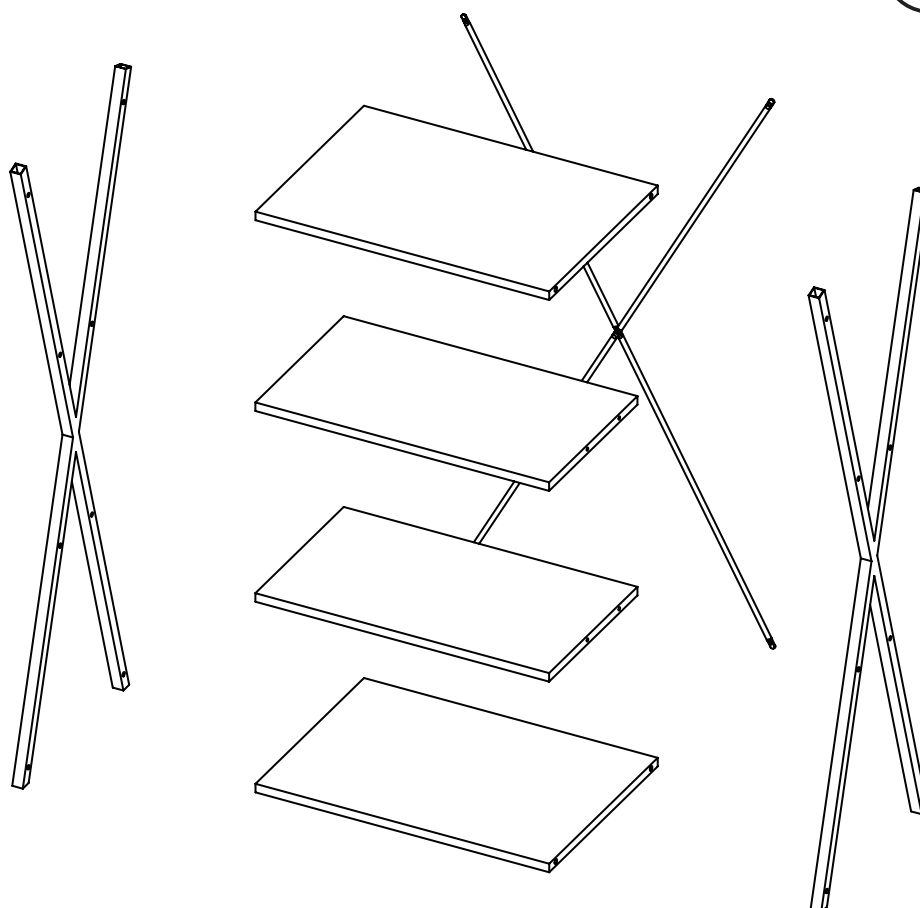
PARTS



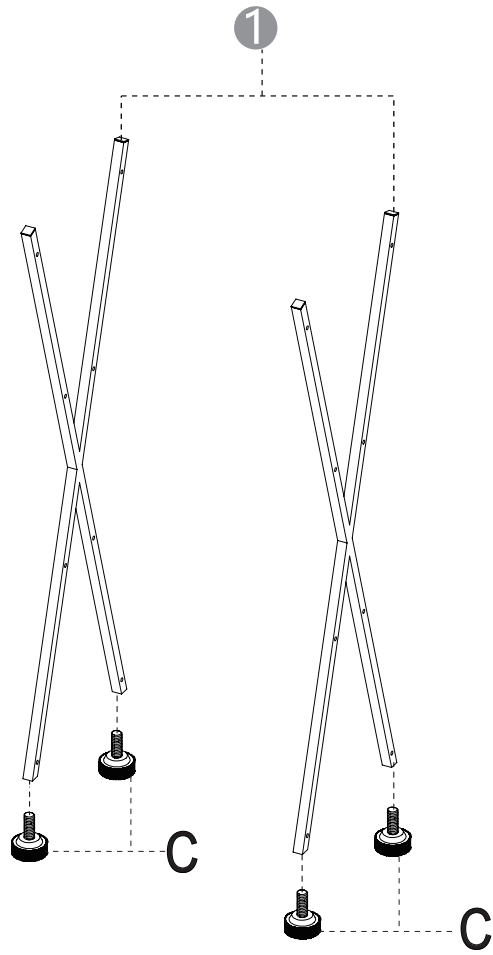
HARDWARE



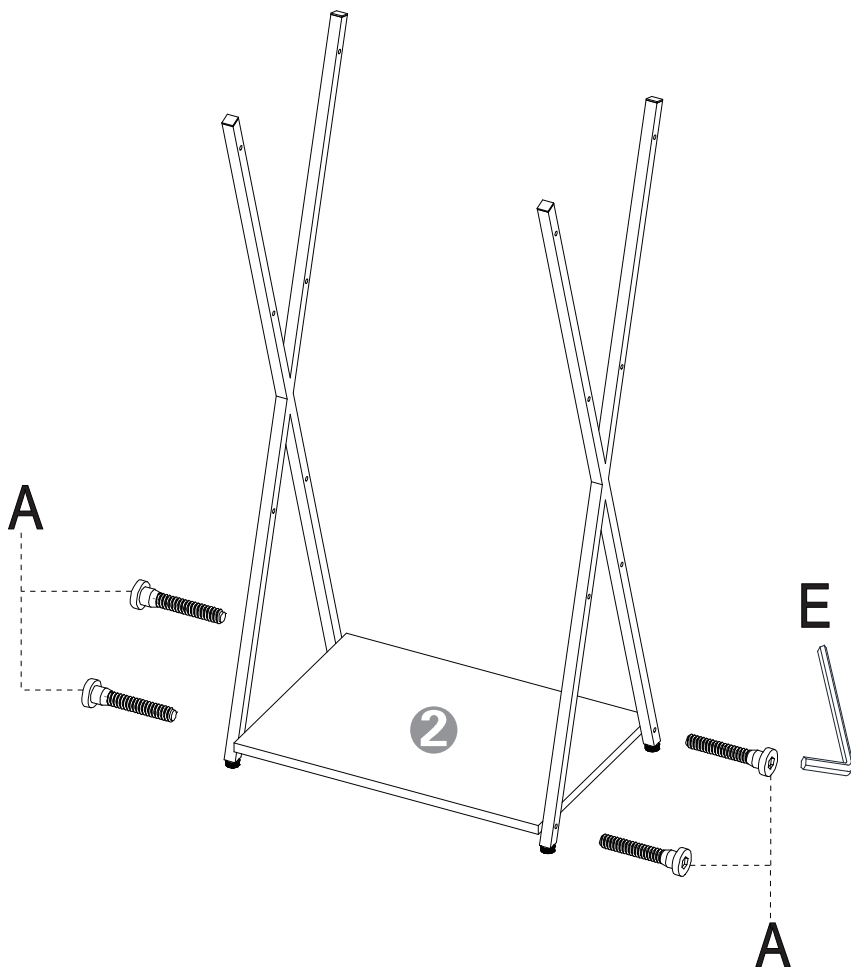
EXPLOSION FIGURE



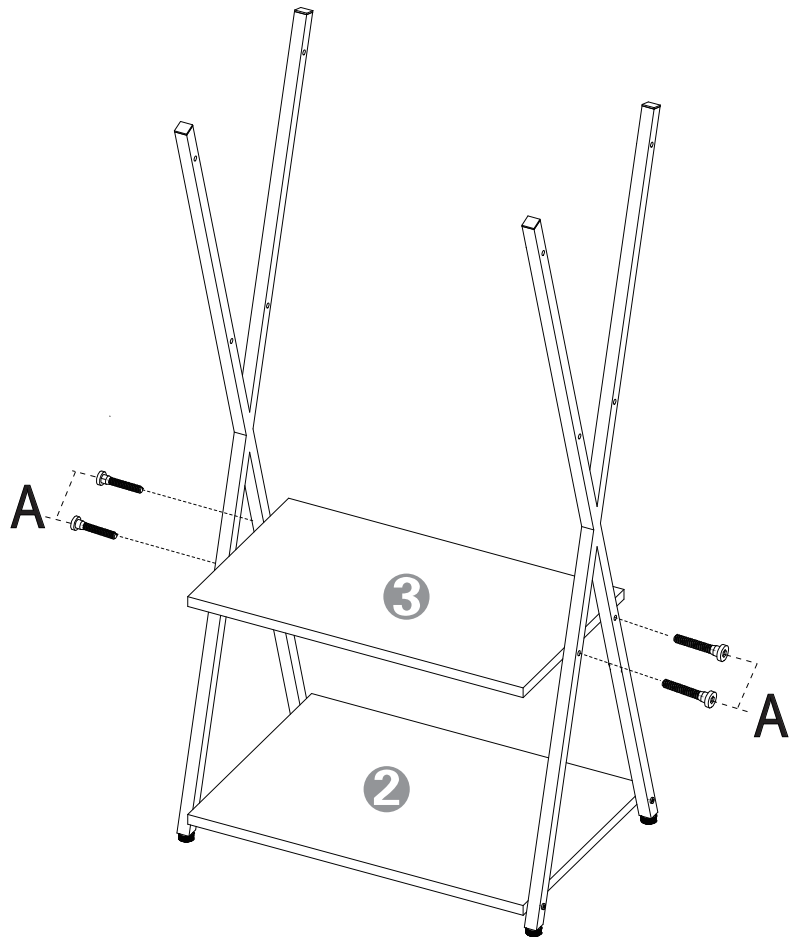
C x 4
M6*20



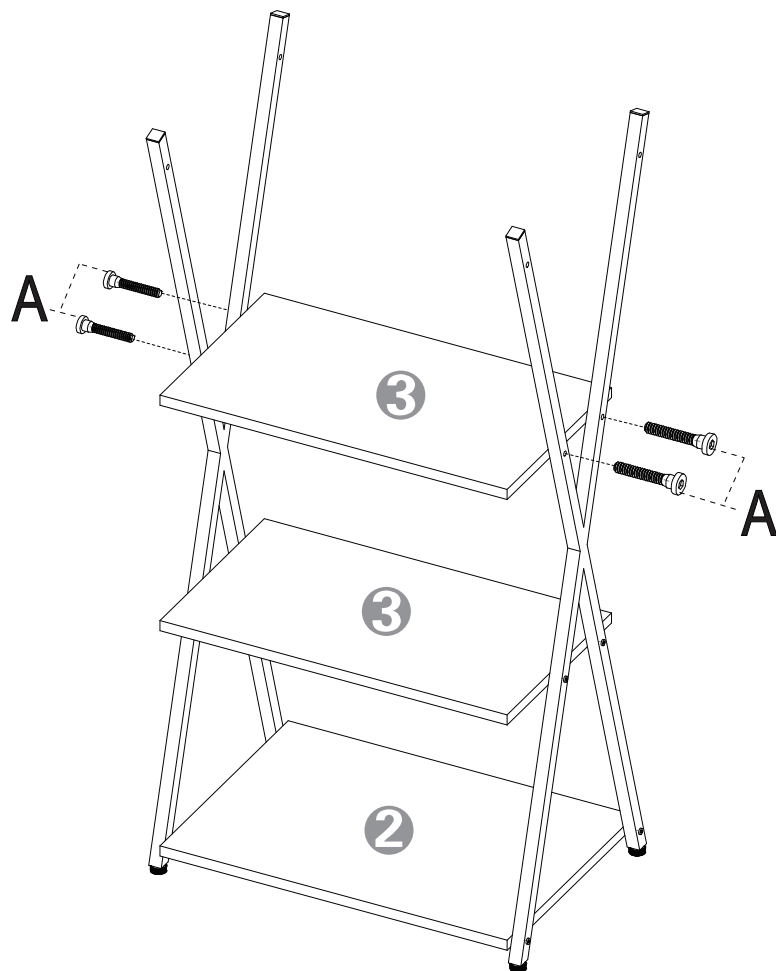
A x 4
M6*50



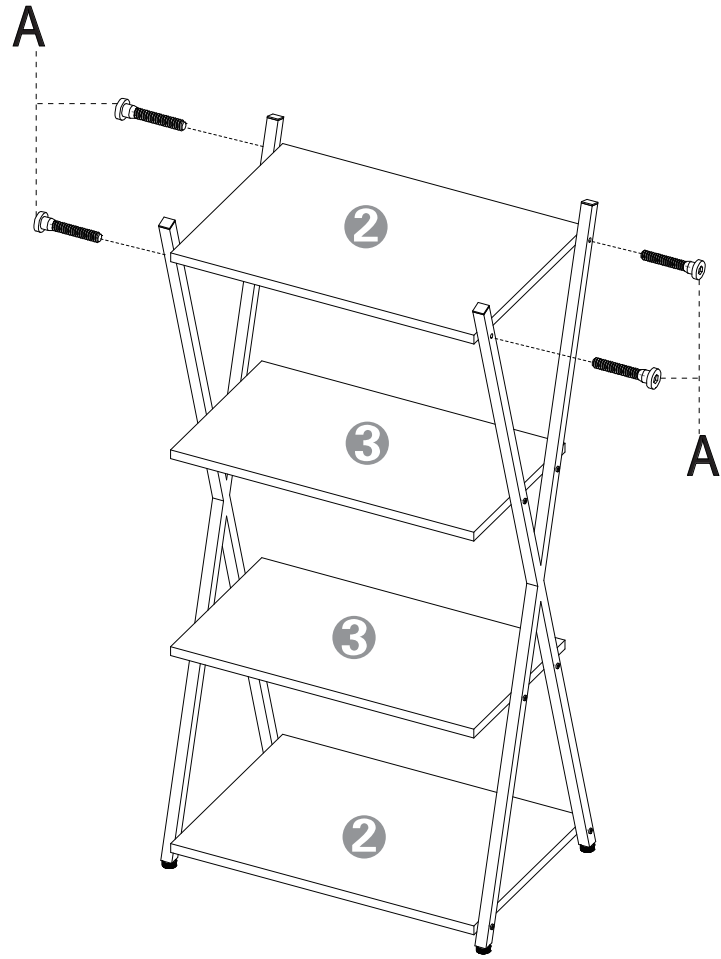
A x 4
M6*50



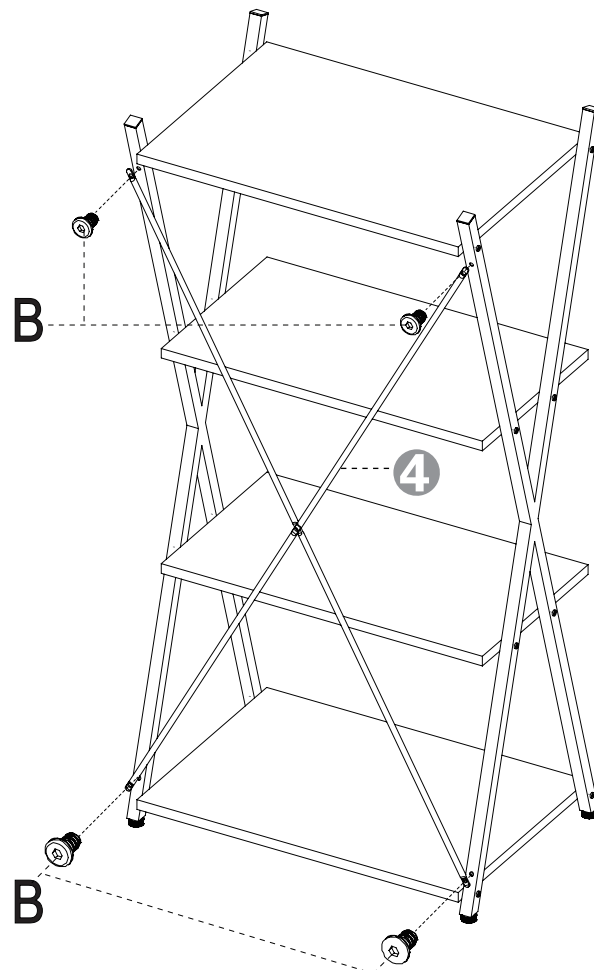
A x 4
M6*50



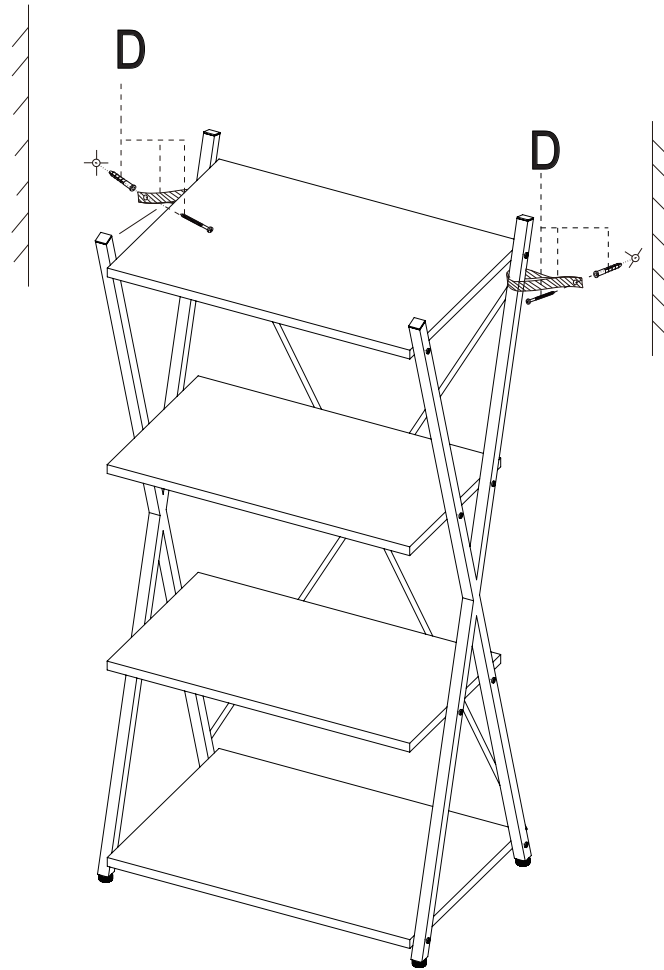
A x 4
M6*50



B x 4
M6*15



D x 2
M3.5*35



Done

